



US00D645938S

(12) **United States Design Patent**  
**Ando et al.**

(10) **Patent No.:** **US D645,938 S**

(45) **Date of Patent:** **\*\* Sep. 27, 2011**

(54) **FAUCET WITH HANDLE**

**FOREIGN PATENT DOCUMENTS**

(75) Inventors: **Yoshihiko Ando**, Tokoname (JP);  
**Mikiya Kobayashi**, Bunkyo-ku (JP)

CN 300779243D 5/2008  
EM 000784590-0031 11/2007

\* cited by examiner

(73) Assignee: **LIXIL Corporation**, Tokyo (JP)

*Primary Examiner* — Robert Delehanty

(\*\*) Term: **14 Years**

(74) *Attorney, Agent, or Firm* — Hamre, Schumann, Mueller & Larson, P.C.

(21) Appl. No.: **29/383,105**

(57) **CLAIM**

(22) Filed: **Jan. 12, 2011**

The ornamental design for a faucet with handle, as shown and described.

(30) **Foreign Application Priority Data**

**DESCRIPTION**

Jul. 14, 2010 (JP) ..... D2010-017147

(51) **LOC (9) Cl.** ..... **23-01**

(52) **U.S. Cl.** ..... **D23/238**

(58) **Field of Classification Search** ..... D23/238–243,  
D23/250, 255; 4/675–678; 137/801  
See application file for complete search history.

FIG. 1 is a perspective view of front, right and top plan side of a faucet with handle showing our new design;

FIG. 2 is a front view thereof;

FIG. 3 is a rear view thereof;

FIG. 4 is a top plan view thereof;

FIG. 5 is a bottom view thereof; and,

FIG. 6 is a right side view thereof; the left side view being mirror image thereof.

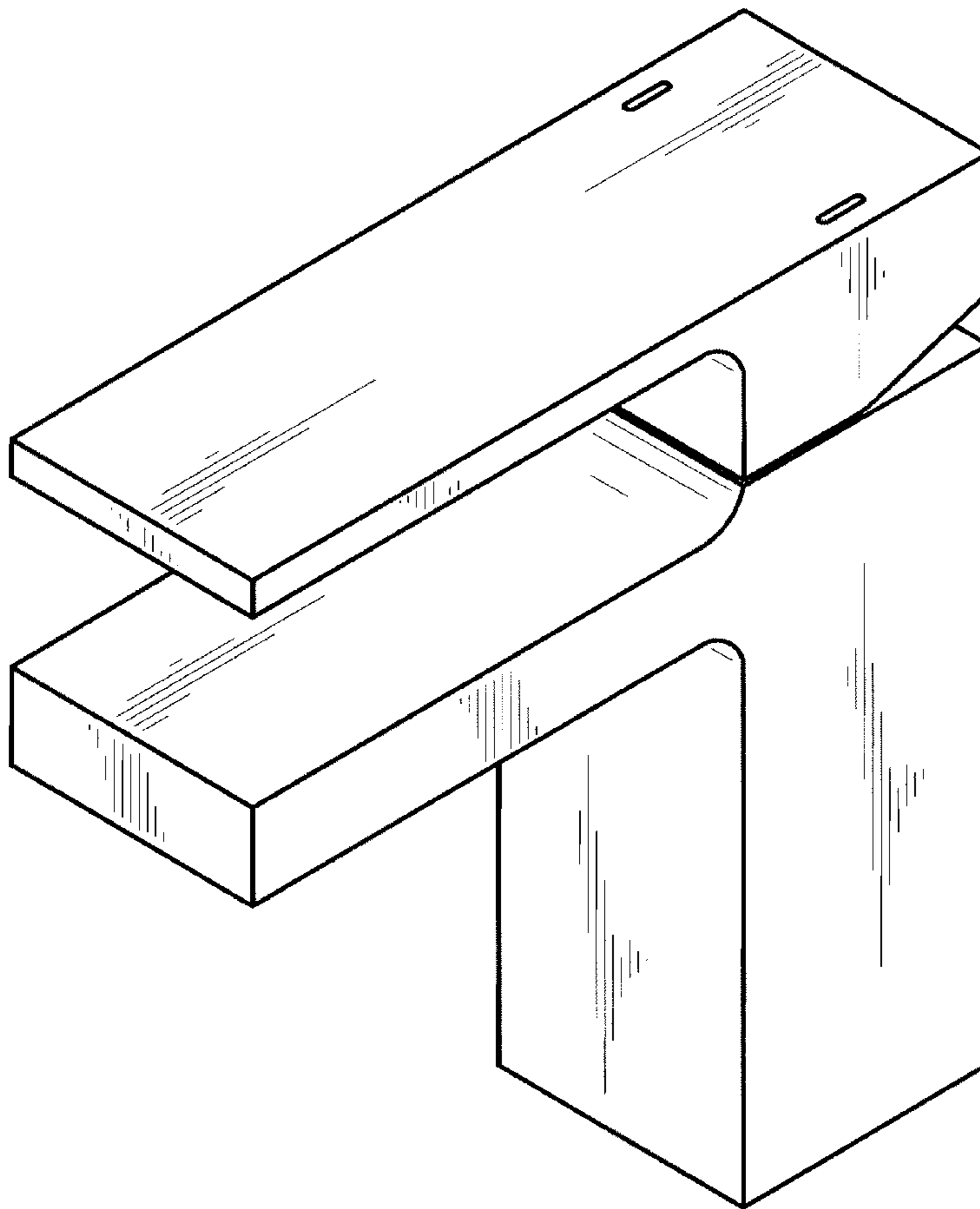
The portions of the article in broken lines are shown for illustrative purposes only and form no part of the claimed design.

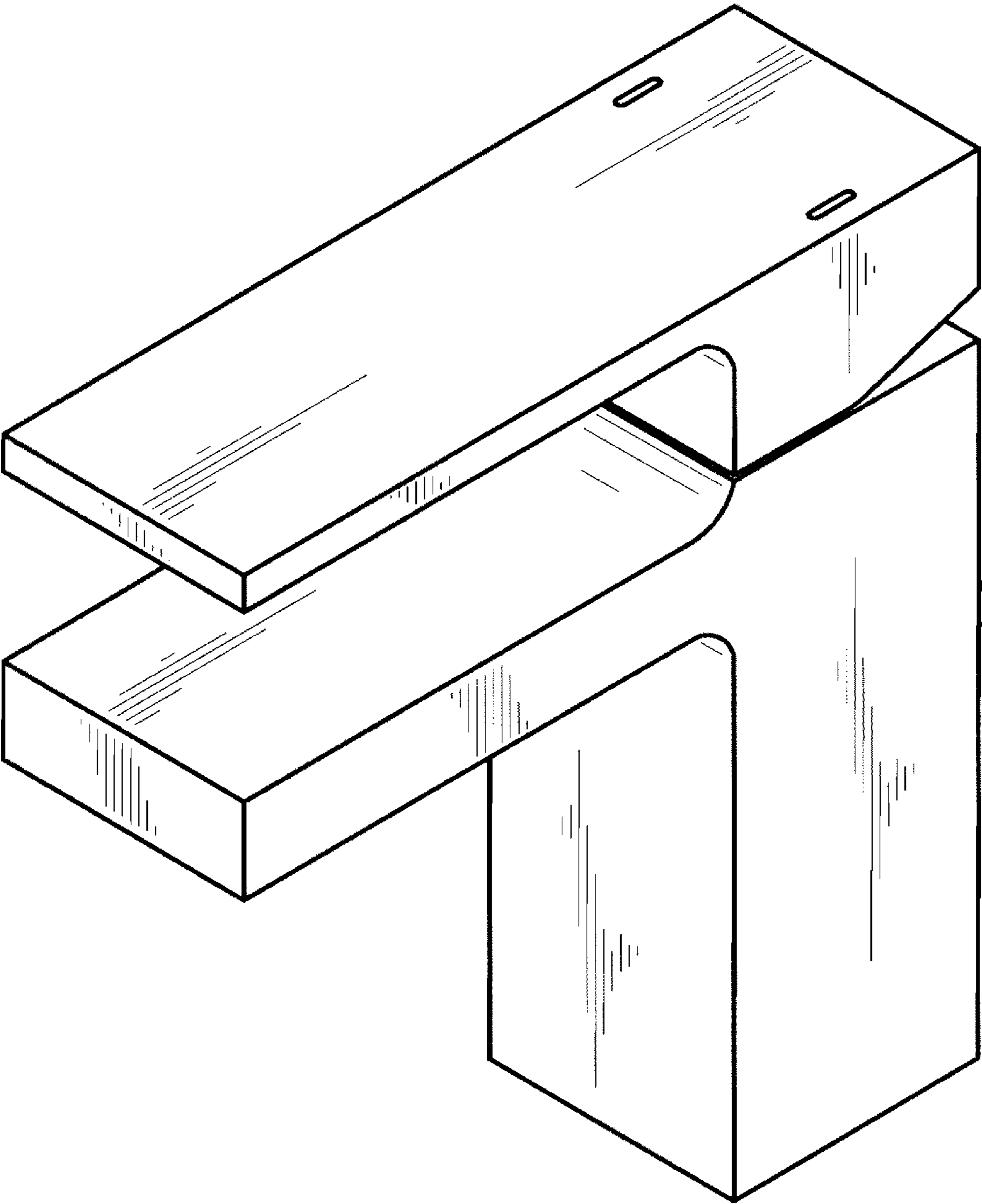
(56) **References Cited**

**U.S. PATENT DOCUMENTS**

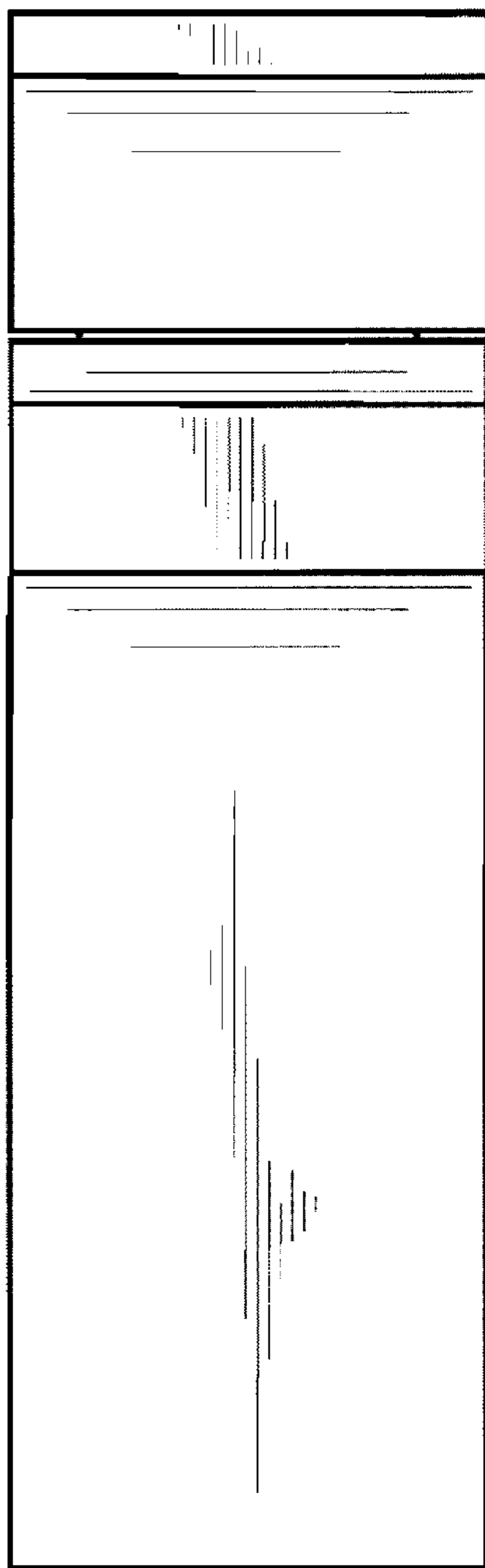
D517,169 S \* 3/2006 Ogata et al. .... D23/238  
D541,906 S \* 5/2007 Qing ..... D23/238  
D579,521 S \* 10/2008 Kulig ..... D23/238

**1 Claim, 4 Drawing Sheets**

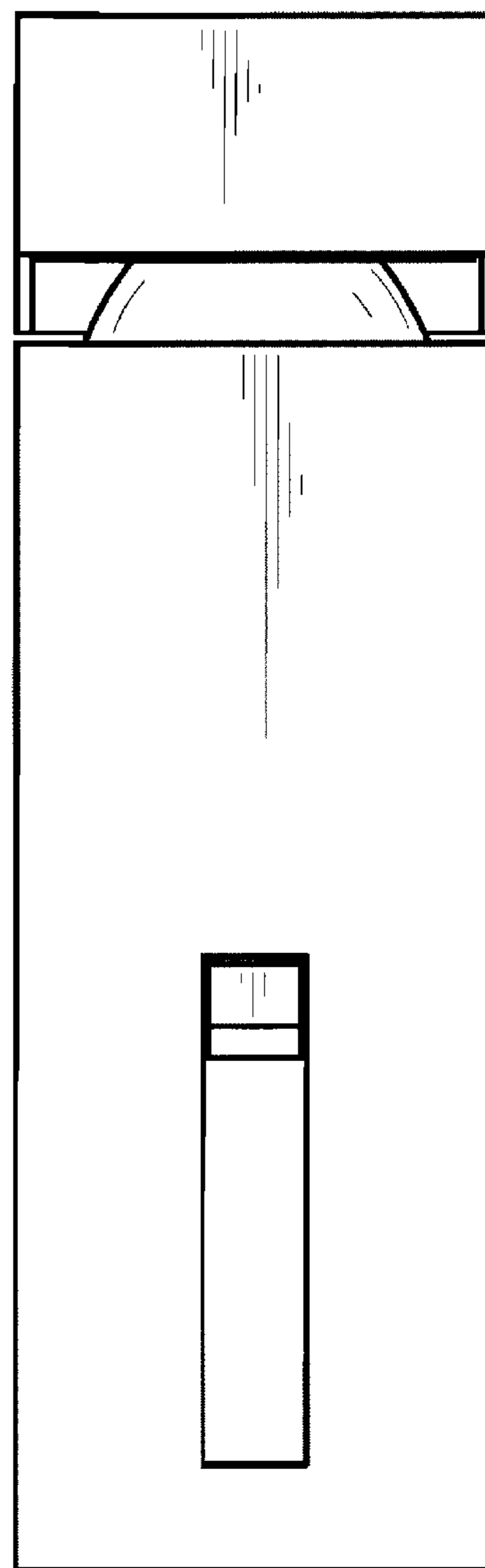




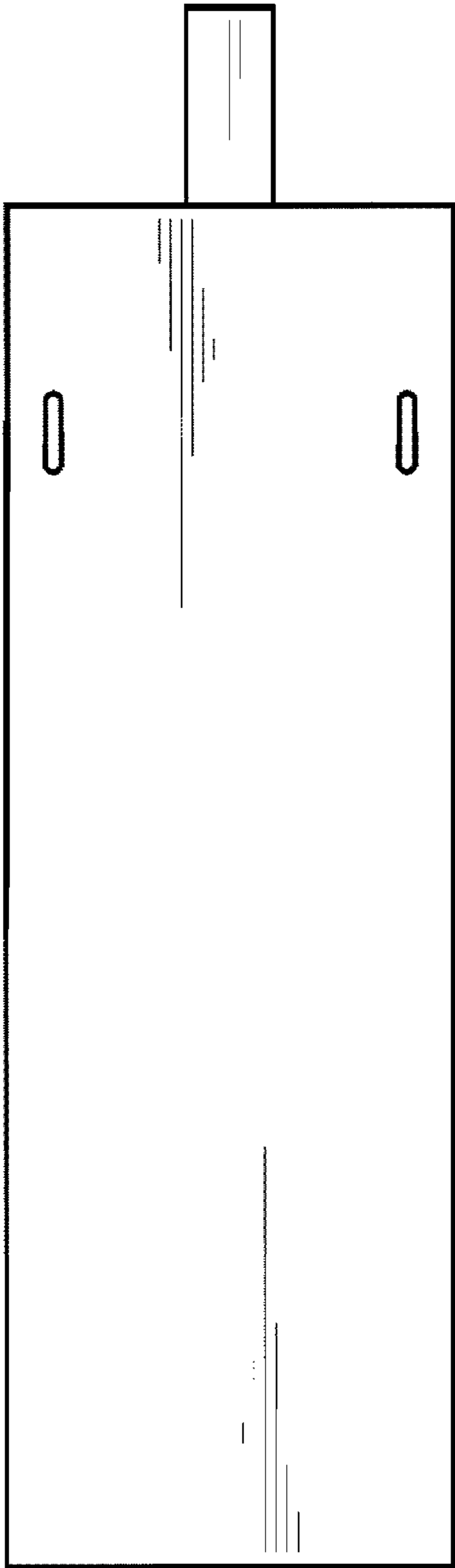
*FIG. 1*



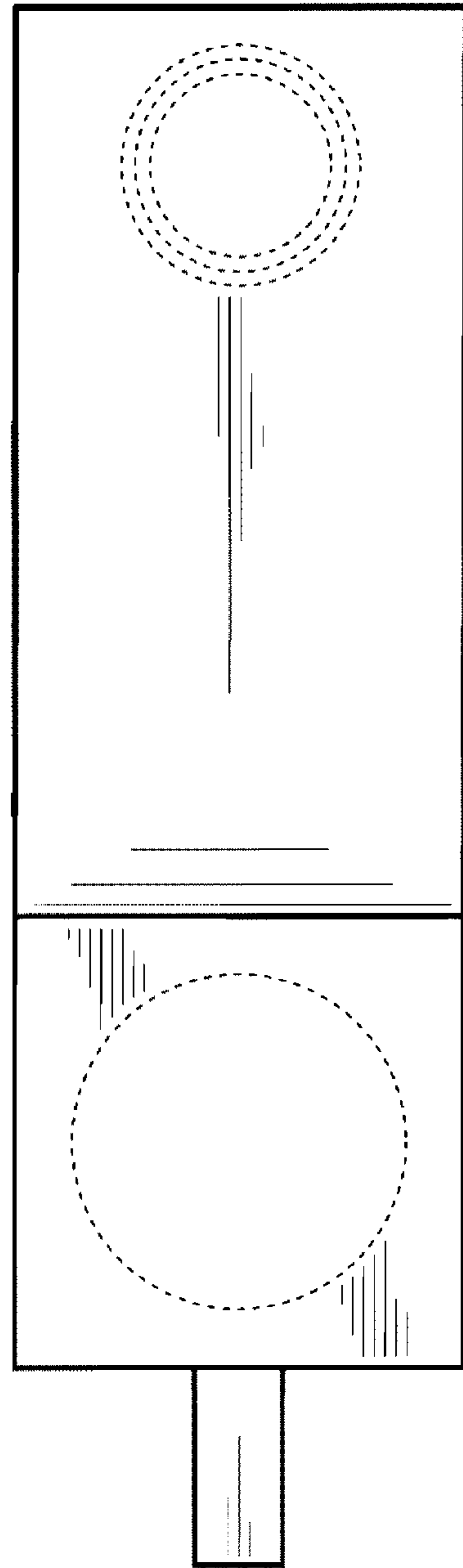
*FIG. 2*



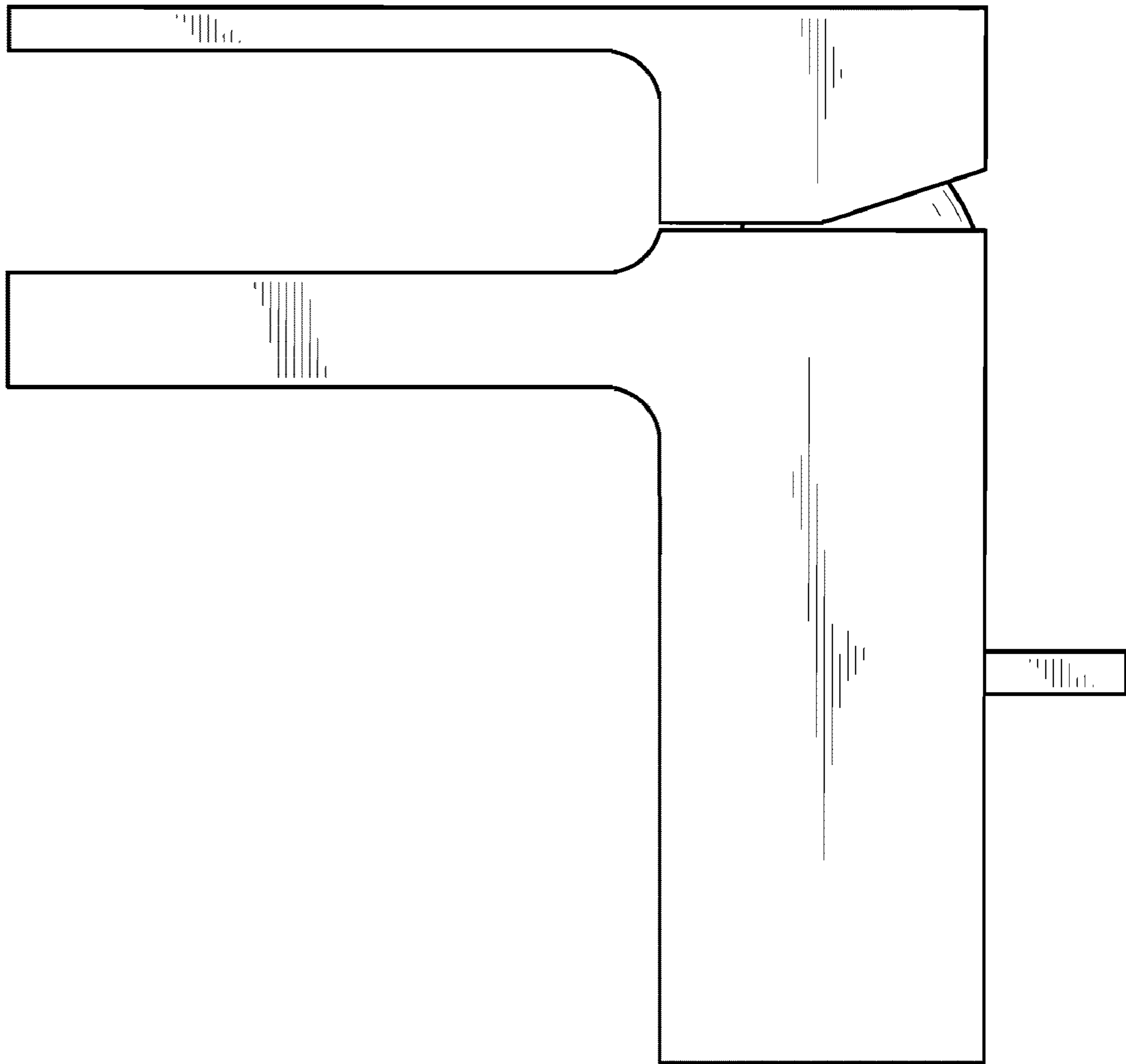
*FIG. 3*



*FIG. 4*



*FIG. 5*



*FIG. 6*