



US00D645937S

(12) **United States Design Patent**
Sedwick

(10) **Patent No.:** **US D645,937 S**

(45) **Date of Patent:** **** Sep. 27, 2011**

(54) **HUB**
(75) Inventor: **Jennifer P. Sedwick**, Lakewood, OH (US)
(73) Assignee: **Moen Incorporated**, North Olmsted, OH (US)

D550,330 S 9/2007 Mullenmeister
D566,813 S 4/2008 Kohler, Jr. et al.
D569,482 S 5/2008 Hanna
D573,228 S * 7/2008 Hsieh D23/238
D580,017 S 11/2008 Yegyayan et al.
7,533,683 B2 * 5/2009 Ortega et al. 137/15.18
D602,568 S 10/2009 Kwok
D610,235 S 2/2010 Kwok
D611,124 S 3/2010 Schoenherr et al.

(**) Term: **14 Years**

OTHER PUBLICATIONS

(21) Appl. No.: **29/381,299**

Faucets, all faucets shown in the cited document were publicly available more than one year prior to Dec. 17, 2010, 9 pages.

(22) Filed: **Dec. 17, 2010**

* cited by examiner

(51) **LOC (9) Cl.** **23-01**

(52) **U.S. Cl.** **D23/238**

(58) **Field of Classification Search** D23/238-243, D23/250, 255; 4/675-678; 137/801
See application file for complete search history.

Primary Examiner — Robert Delehanty
(74) *Attorney, Agent, or Firm* — Calfee, Halter & Griswold LLP

(56) **References Cited**

(57) **CLAIM**

The ornamental design for a hub, as shown and described.

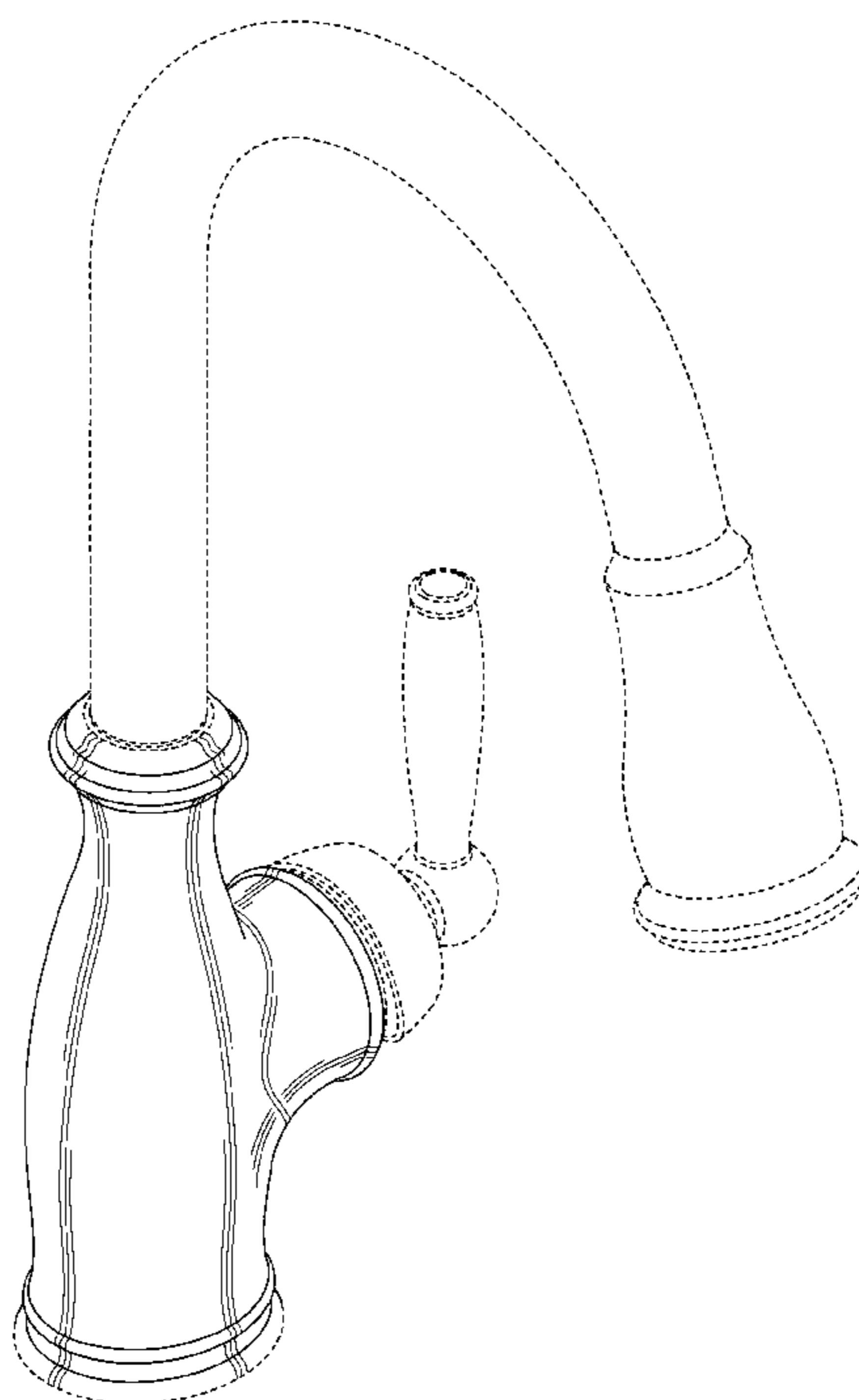
U.S. PATENT DOCUMENTS

D352,095 S 11/1994 Bollenbacher
D420,726 S 2/2000 Slothower et al.
D460,150 S 7/2002 Rexach
D470,224 S 2/2003 Hanna
D491,636 S 6/2004 Shieh
6,757,921 B2 7/2004 Esche
D499,795 S 12/2004 Bayer
D511,560 S 11/2005 Kulig et al.
D513,526 S 1/2006 Marshall
D527,075 S 8/2006 Wood et al.
D534,621 S 1/2007 Chu et al.
D535,357 S 1/2007 Zhou
D535,724 S * 1/2007 Zhou D23/238
D537,146 S 2/2007 Hanna
D539,871 S 4/2007 Hanna
D544,945 S 6/2007 Wood et al.

DESCRIPTION

FIG. 1 is a perspective view of a hub of the new design; FIG. 2 is a front elevational view of the hub of FIG. 1, the rear elevational view being a mirror image thereof; FIG. 3 is a left side elevational view of the hub of FIG. 1; FIG. 4 is a right side elevational view of the hub of FIG. 1; FIG. 5 is a top plan view of the hub of FIG. 1; and, FIG. 6 is a bottom plan view of the hub of FIG. 1. The portions of the Figures shown in broken lines are not part of the claimed design and are for illustration only.

1 Claim, 3 Drawing Sheets



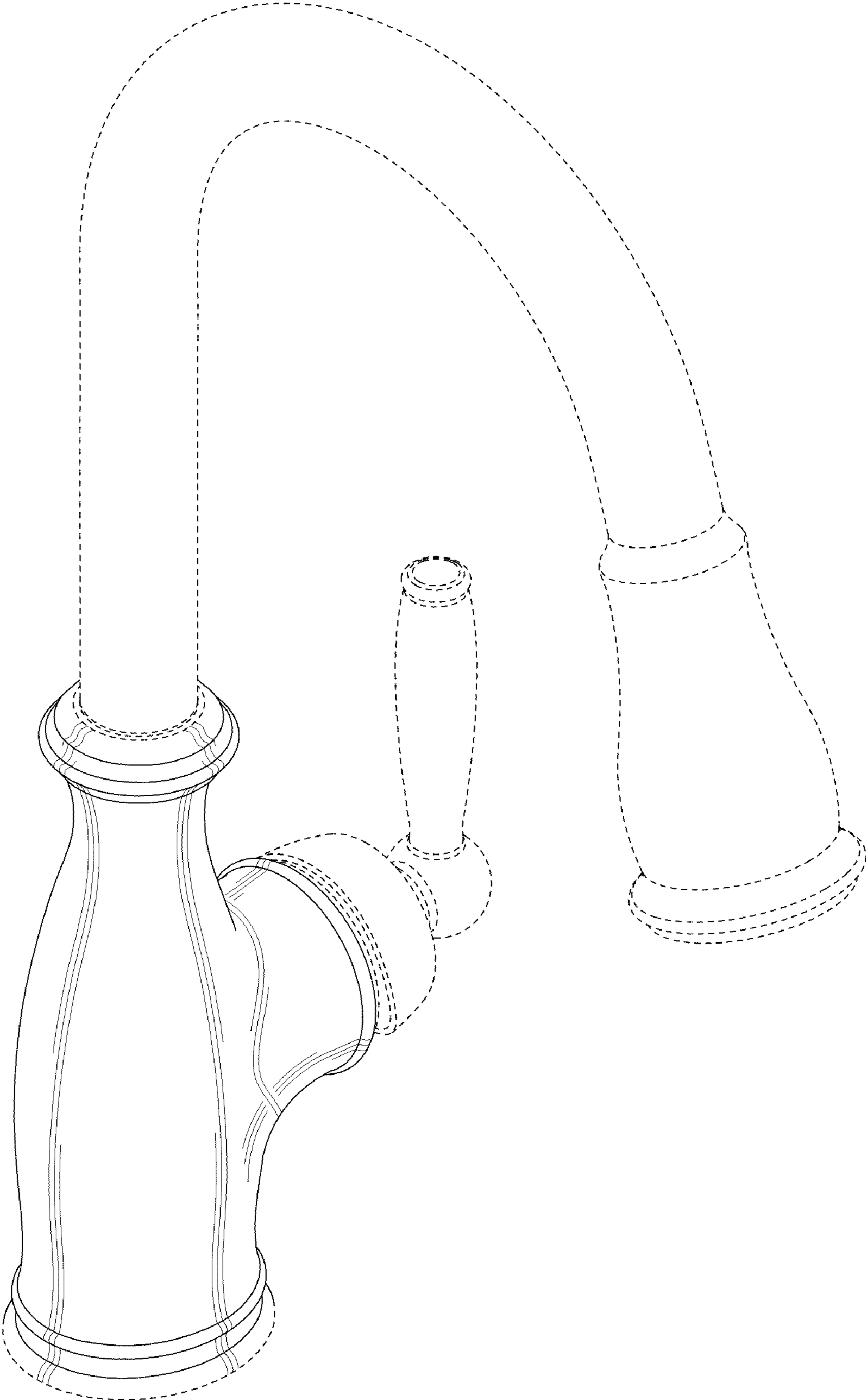


FIG. 1

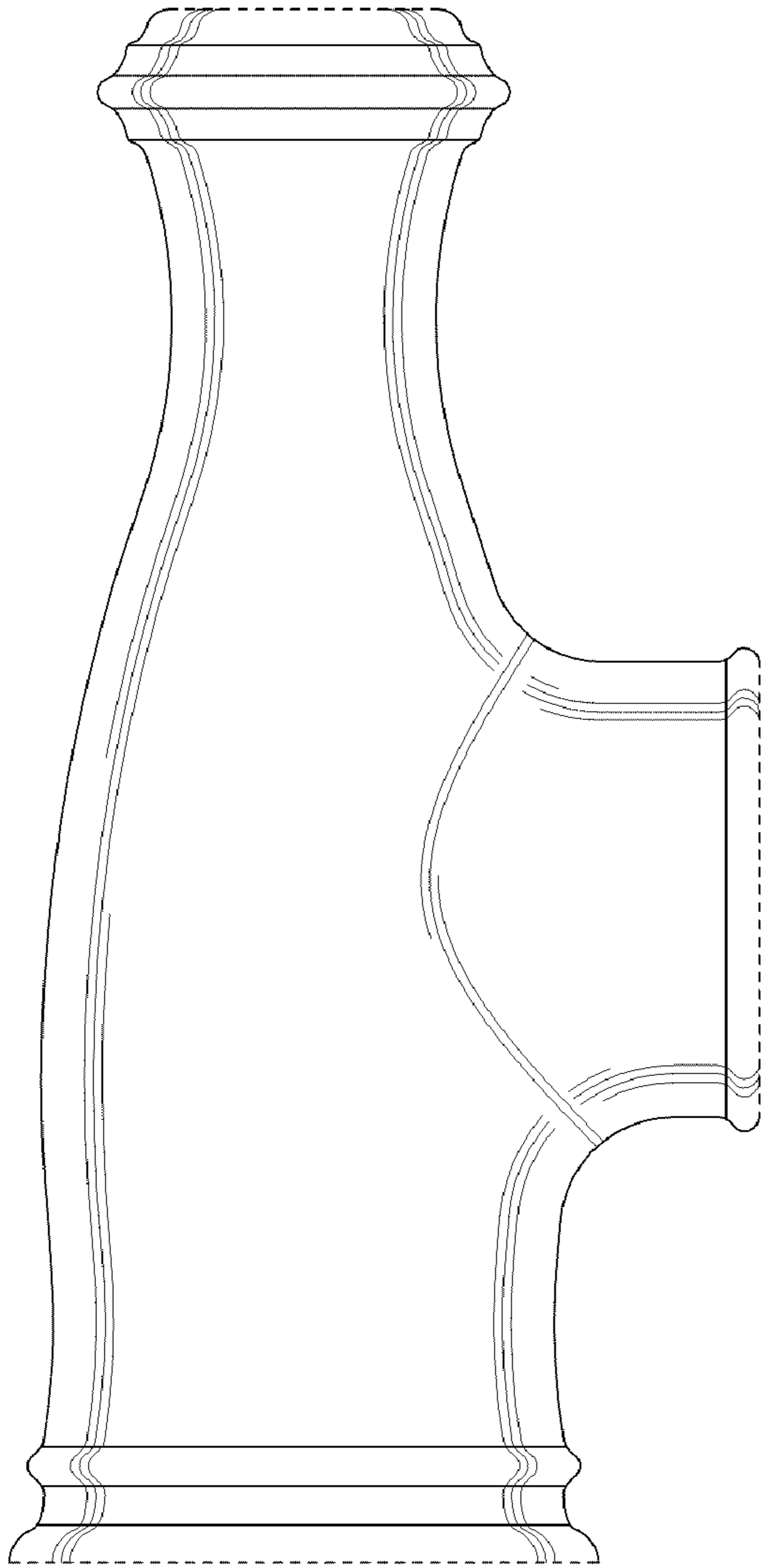


FIG. 2

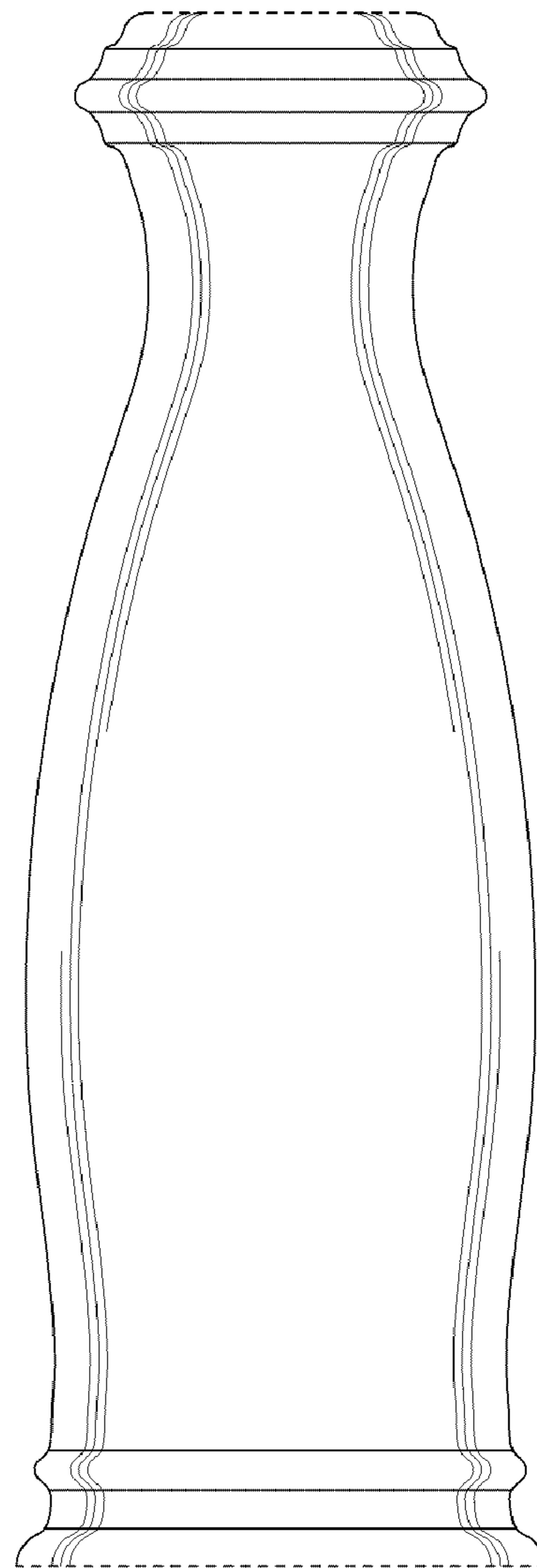


FIG. 3

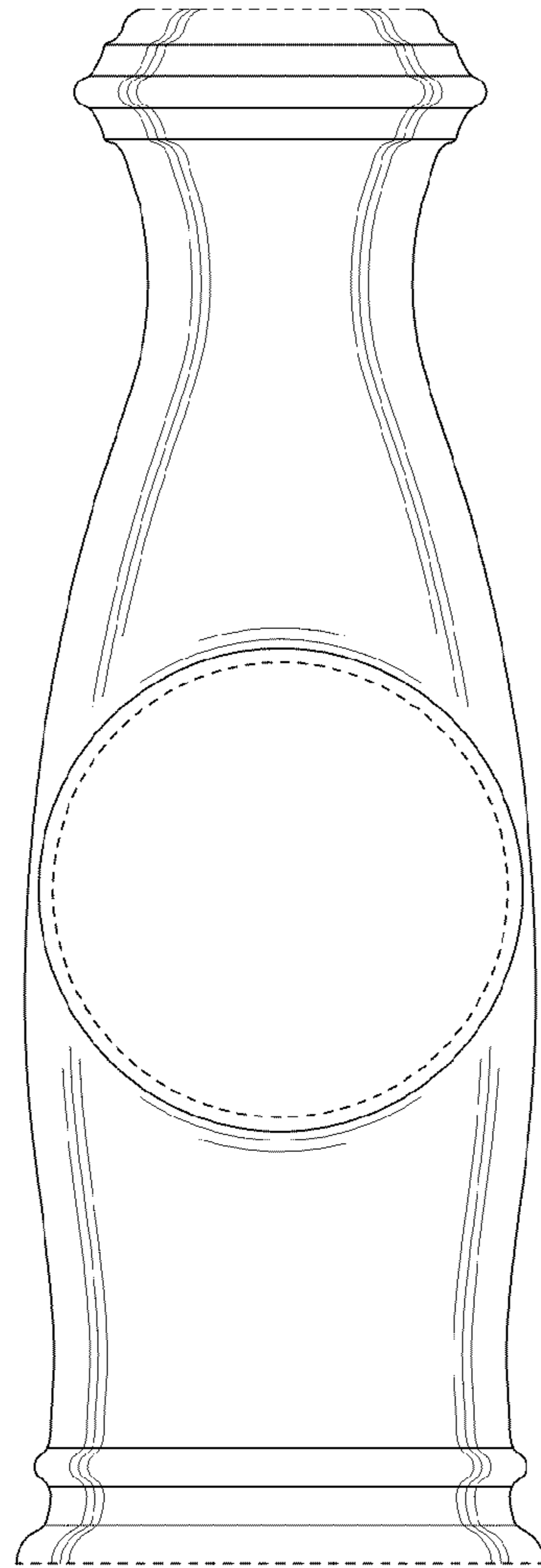


FIG. 4

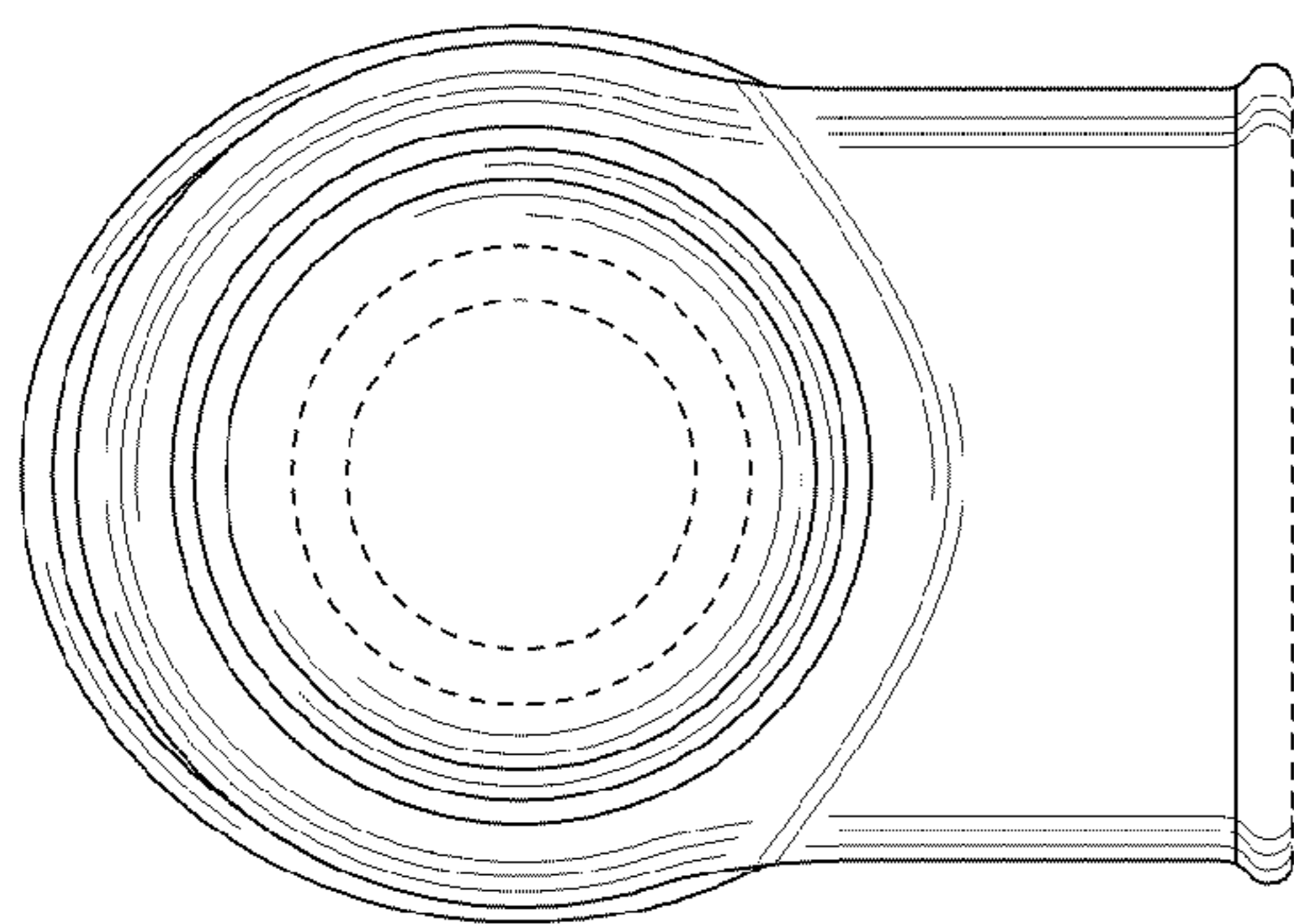


FIG. 5

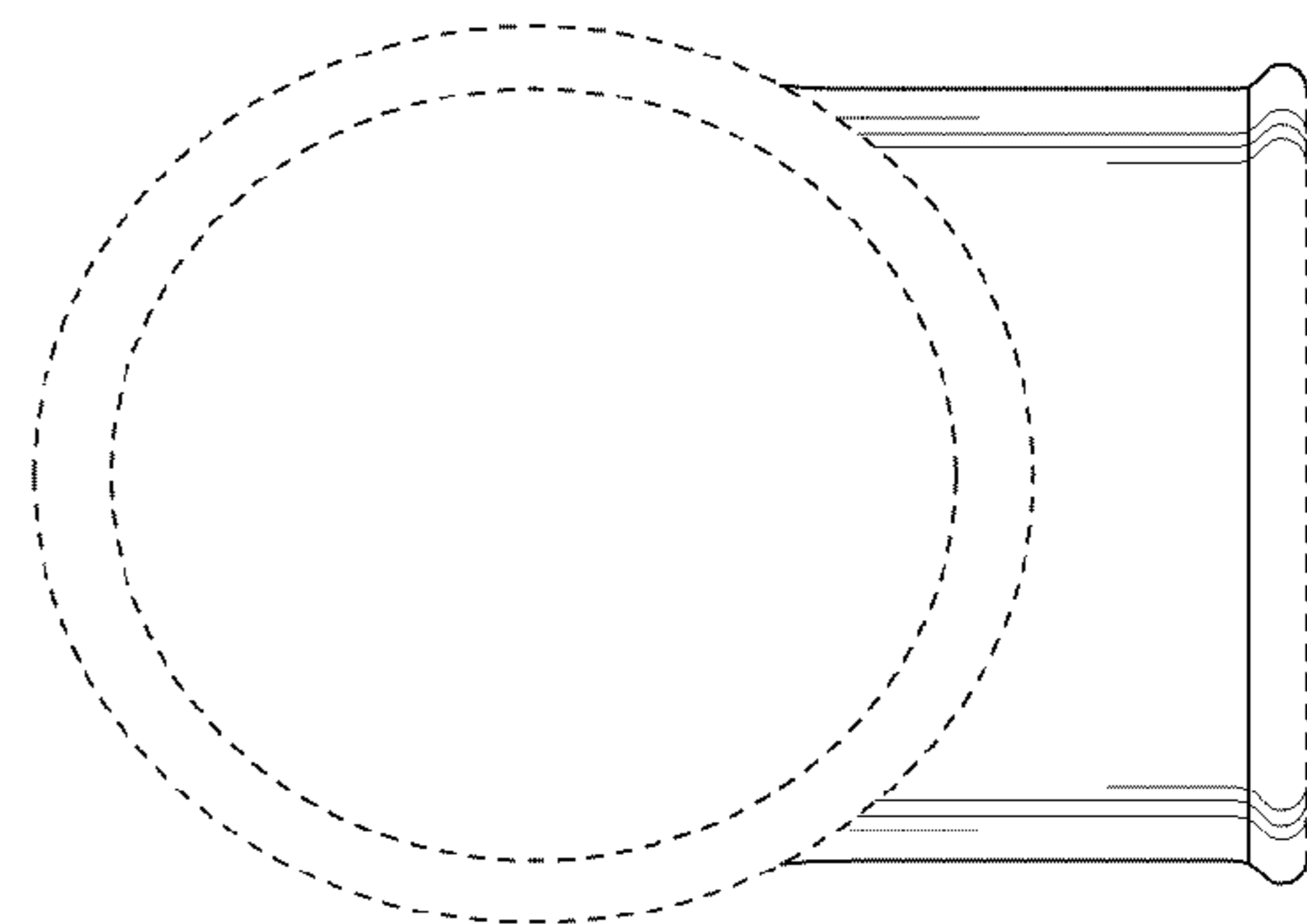


FIG. 6