



US00D645935S

(12) **United States Design Patent**  
**Kulikov et al.**

(10) **Patent No.:** **US D645,935 S**

(45) **Date of Patent:** **\*\* Sep. 27, 2011**

(54) **WATER FILTER HOUSING**

(75) Inventors: **Vladimir Mikhailovich Kulikov**,  
Moscow (RU); **Vladimir Alekseevich**  
**Zakharov**, Moscow (RU)

(73) Assignee: **DWT Deutsche Wassertechnologien**  
**GmbH**, Frankfurt (DE)

(\*\*) Term: **14 Years**

(21) Appl. No.: **29/367,134**

(22) Filed: **Aug. 3, 2010**

(30) **Foreign Application Priority Data**

Feb. 11, 2010 (RU) ..... 2010500331

(51) **LOC (9) Cl.** ..... **23-01**

(52) **U.S. Cl.** ..... **D23/209**

(58) **Field of Classification Search** ..... D23/207,  
D23/209; 210/238, 455, 473, 474, 475, 477,  
210/435, 232

See application file for complete search history.

(56) **References Cited**

**U.S. PATENT DOCUMENTS**

D355,700 S \* 2/1995 Kool ..... D23/207  
6,007,718 A \* 12/1999 Booth ..... 210/232

D470,912 S 2/2003 Daws et al.  
7,186,337 B2 \* 3/2007 Reid ..... 210/232  
7,402,244 B2 \* 7/2008 Yang ..... 210/232  
7,438,811 B2 \* 10/2008 Lin ..... 210/232  
7,799,219 B2 \* 9/2010 Reamsnyder et al. .... 210/248

\* cited by examiner

*Primary Examiner* — Robin V Webster

(74) *Attorney, Agent, or Firm* — Bachman & LaPointe, P.C.

(57) **CLAIM**

The ornamental design for a water filter housing, as shown.

**DESCRIPTION**

FIG. 1 is a perspective view of a water filter housing in accordance with the present invention.

FIG. 2 is a front view.

FIG. 3 is a back view.

FIG. 4 is a right side view.

FIG. 5 is a left side view.

FIG. 6 is a top view.

FIG. 7 is a bottom view.

FIG. 8 is an exploded view.

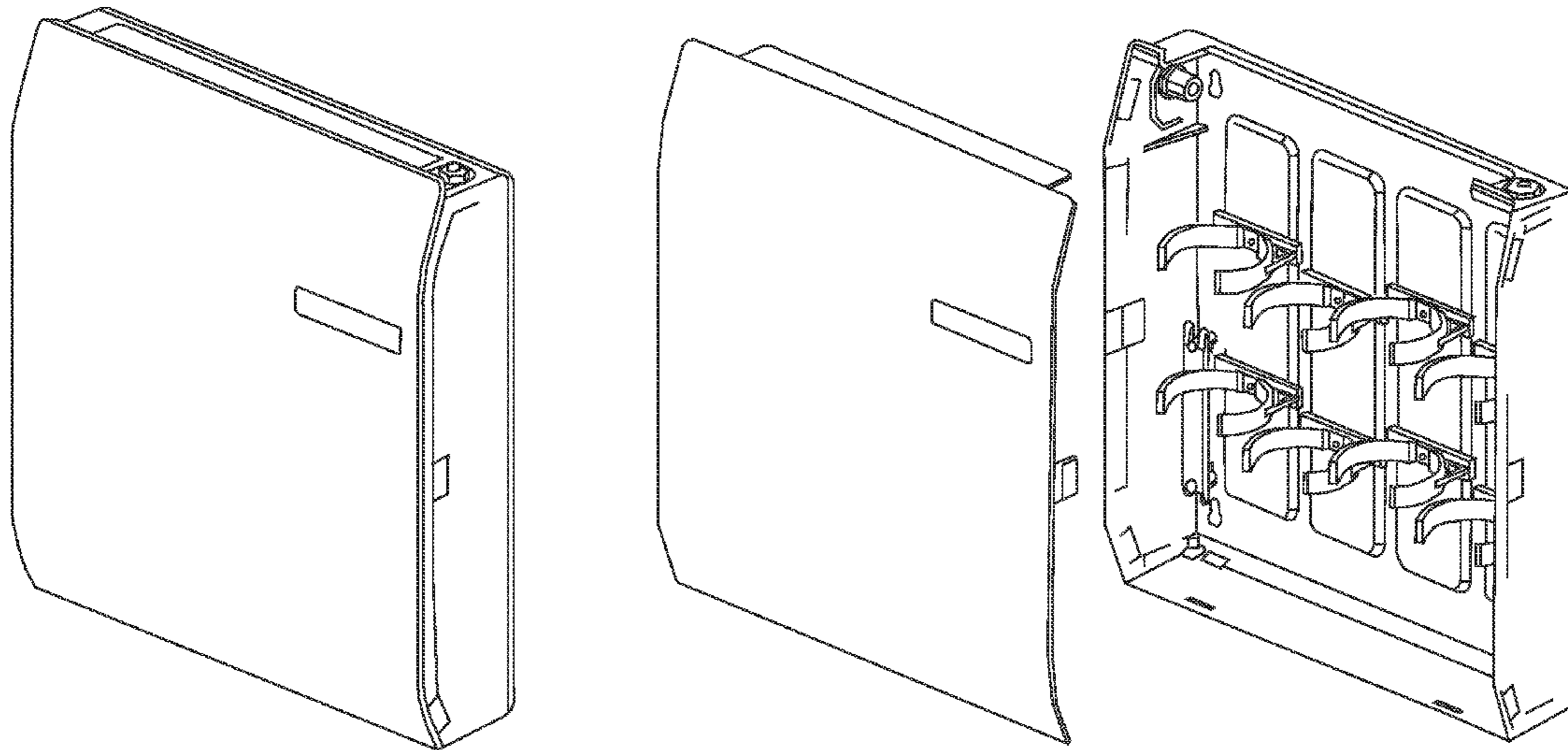
FIGS. 9 and 10 are exploded right side and left side views, respectively.

FIGS. 11 and 12 are exploded front views and back views, respectively.

FIG. 13 is an interior view of the bottom; and,

FIG. 14 is an interior view of the top.

**1 Claim, 10 Drawing Sheets**



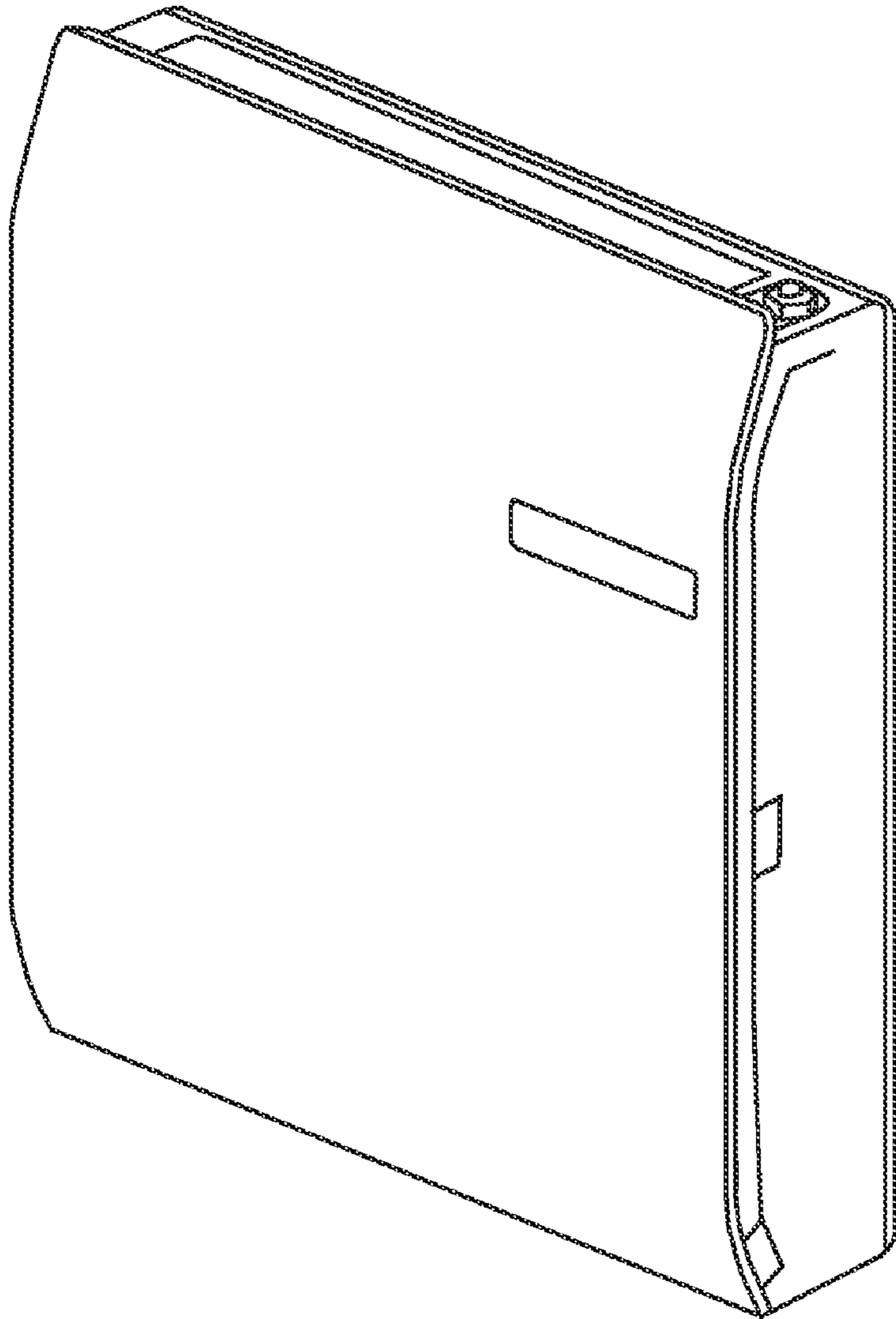


Fig. 1

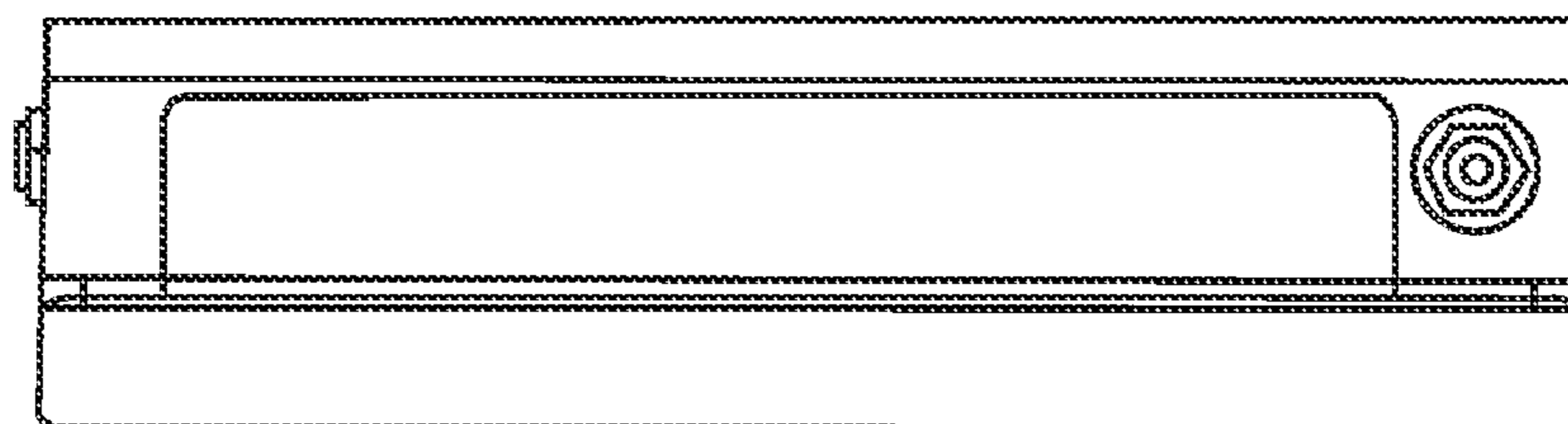


Fig. 2

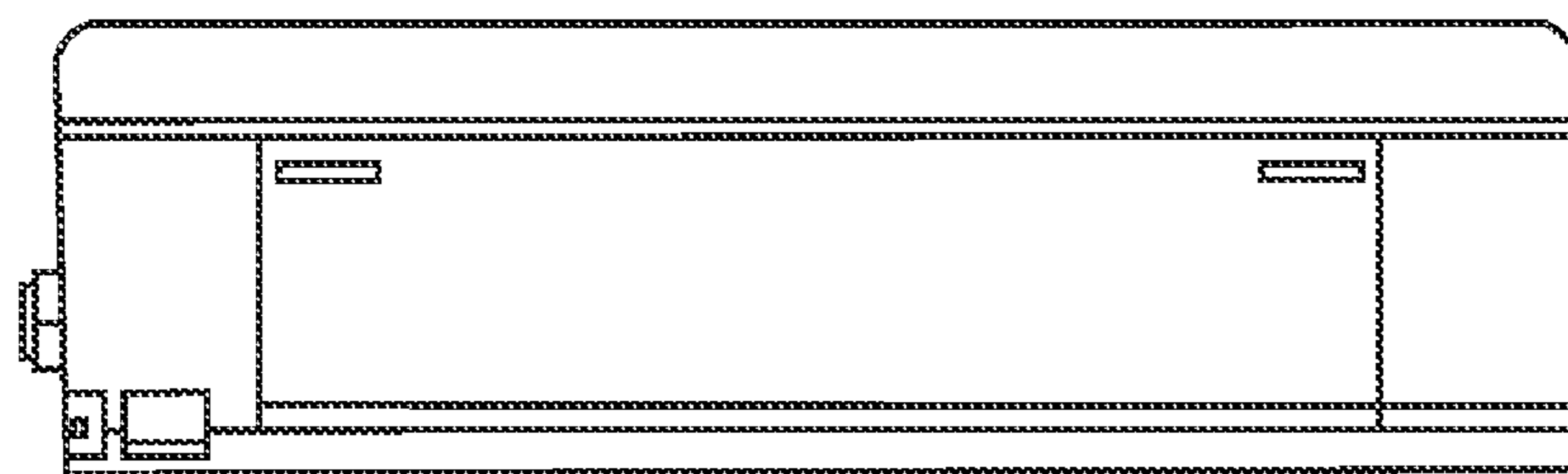


Fig. 3

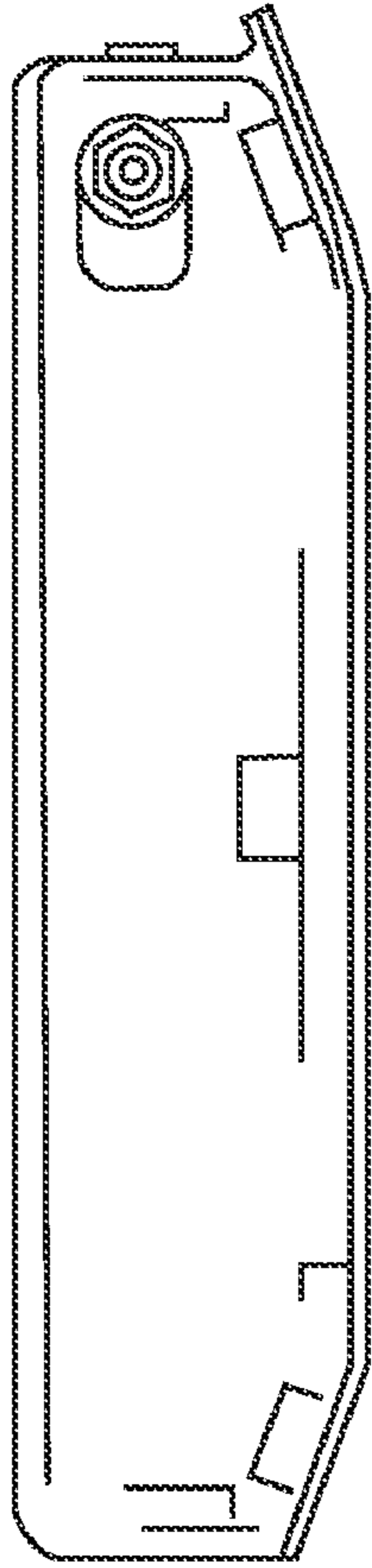


Fig. 4

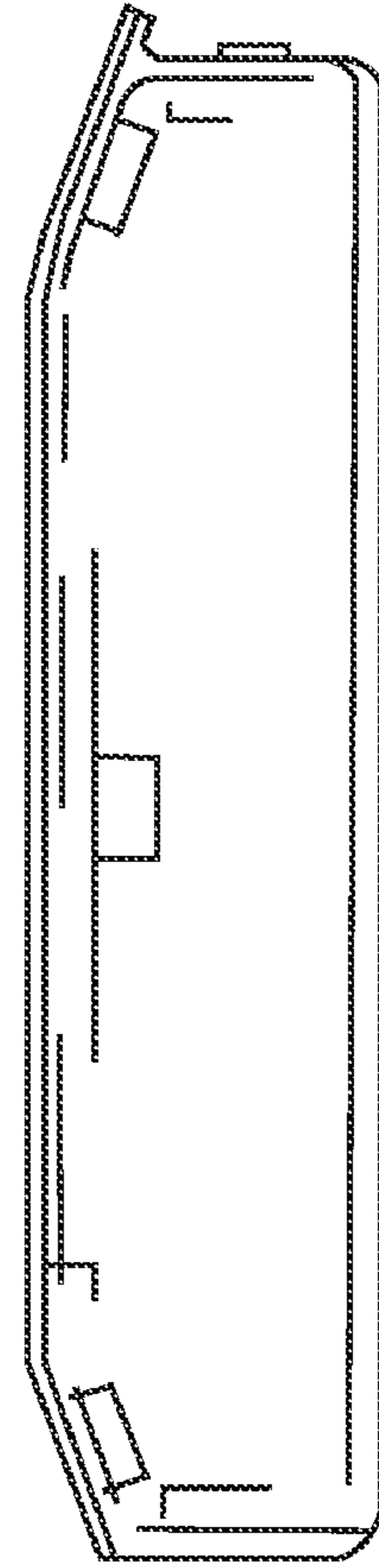


Fig. 5

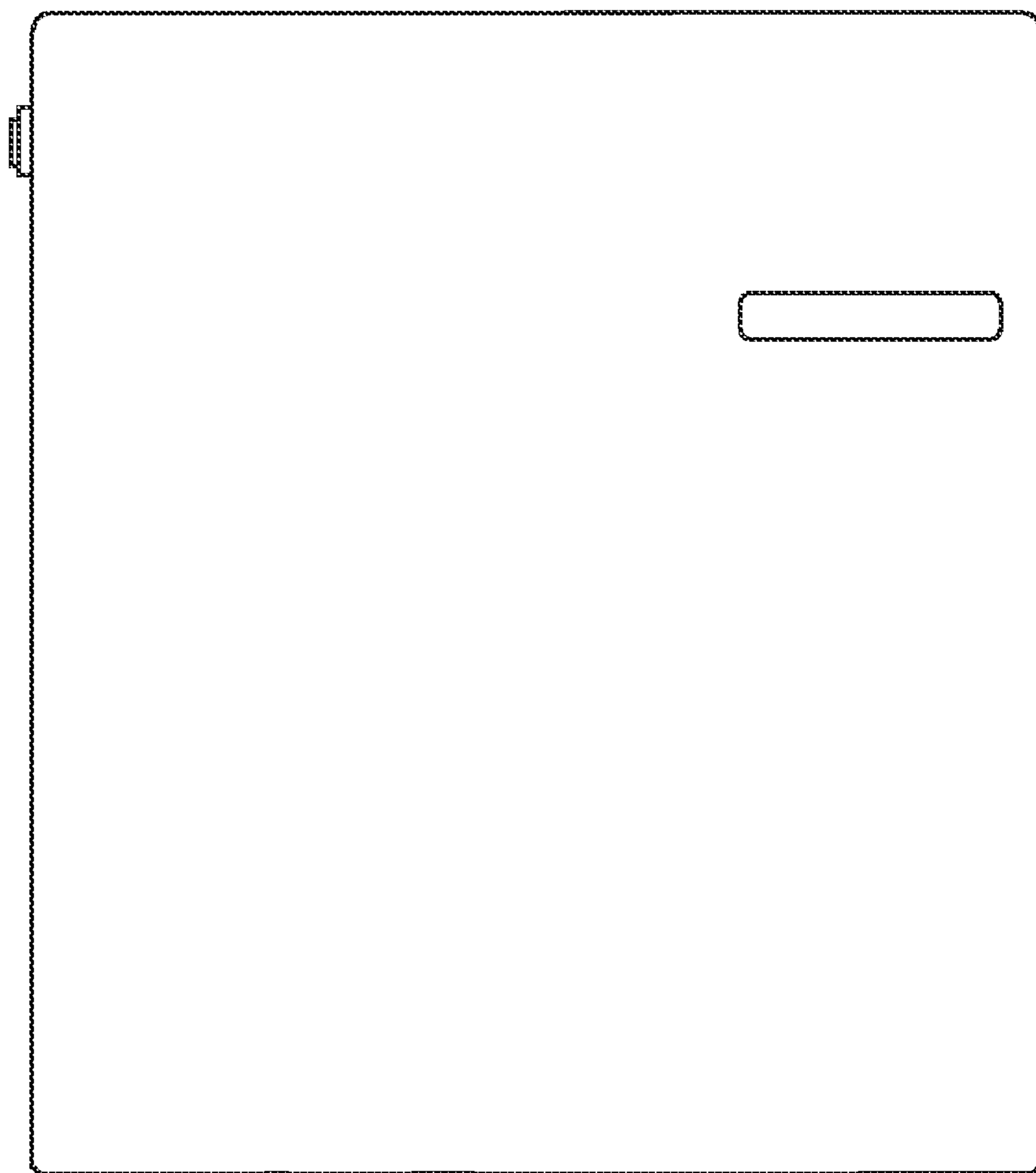


Fig. 6

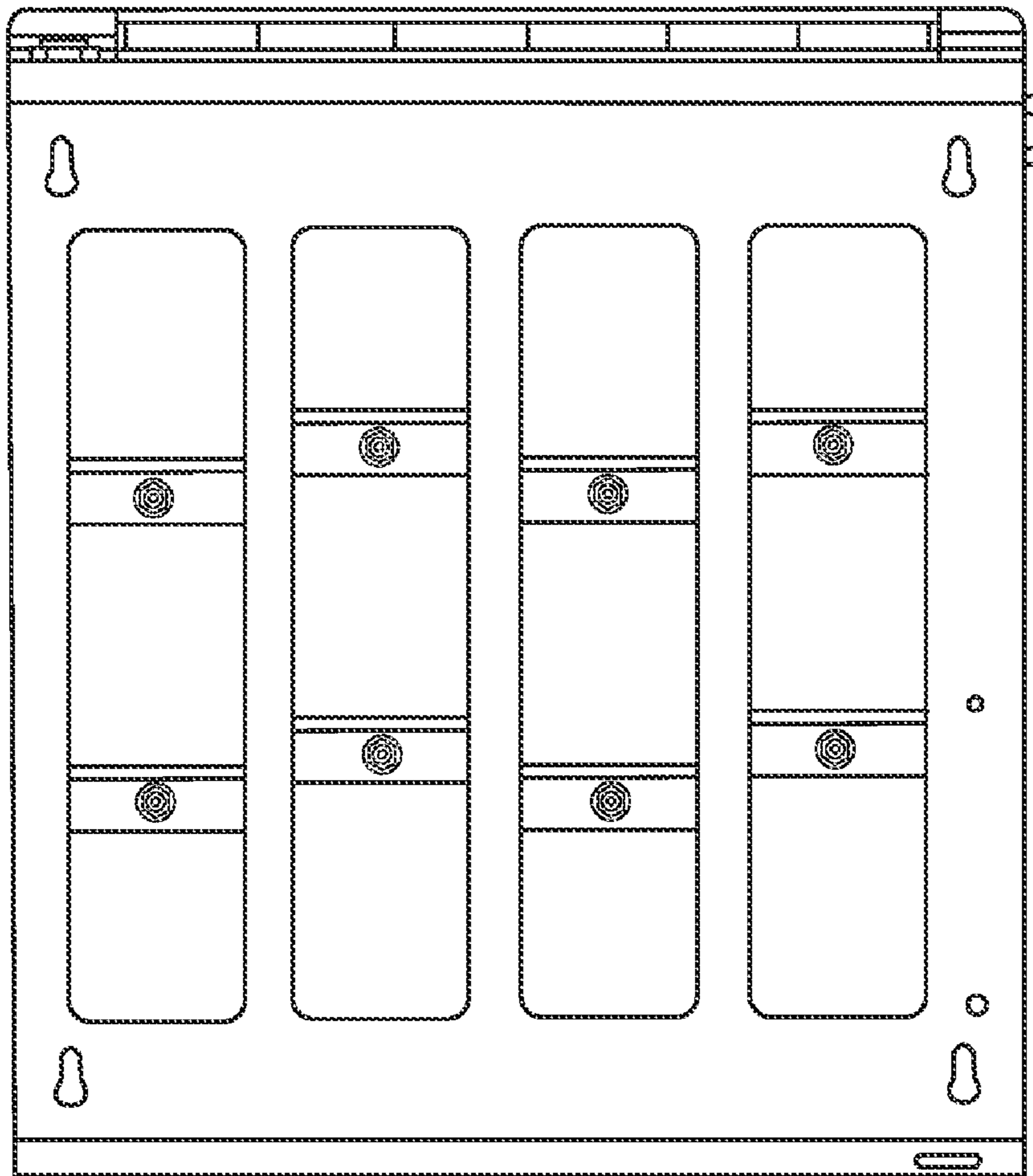


Fig. 7

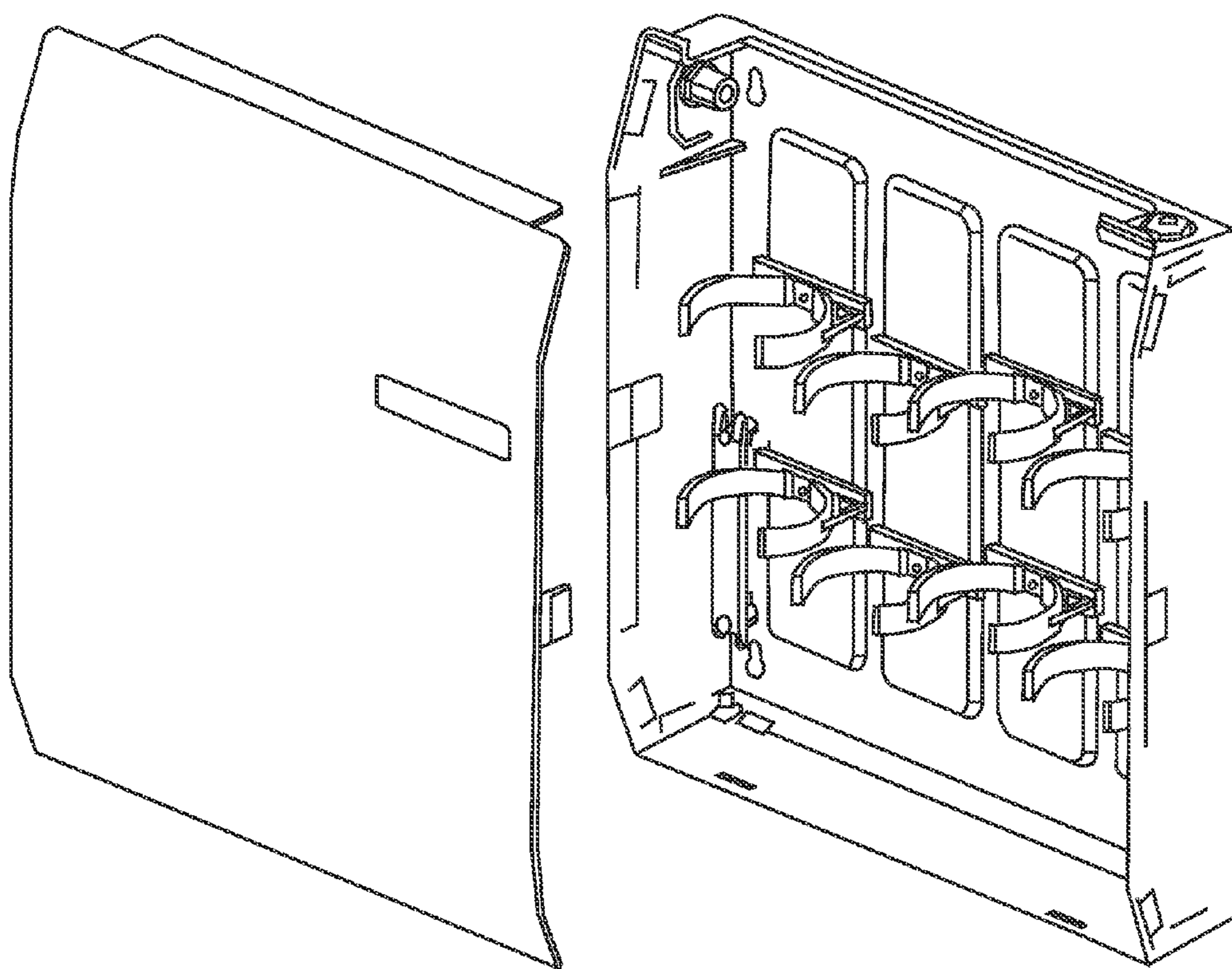


Fig. 8

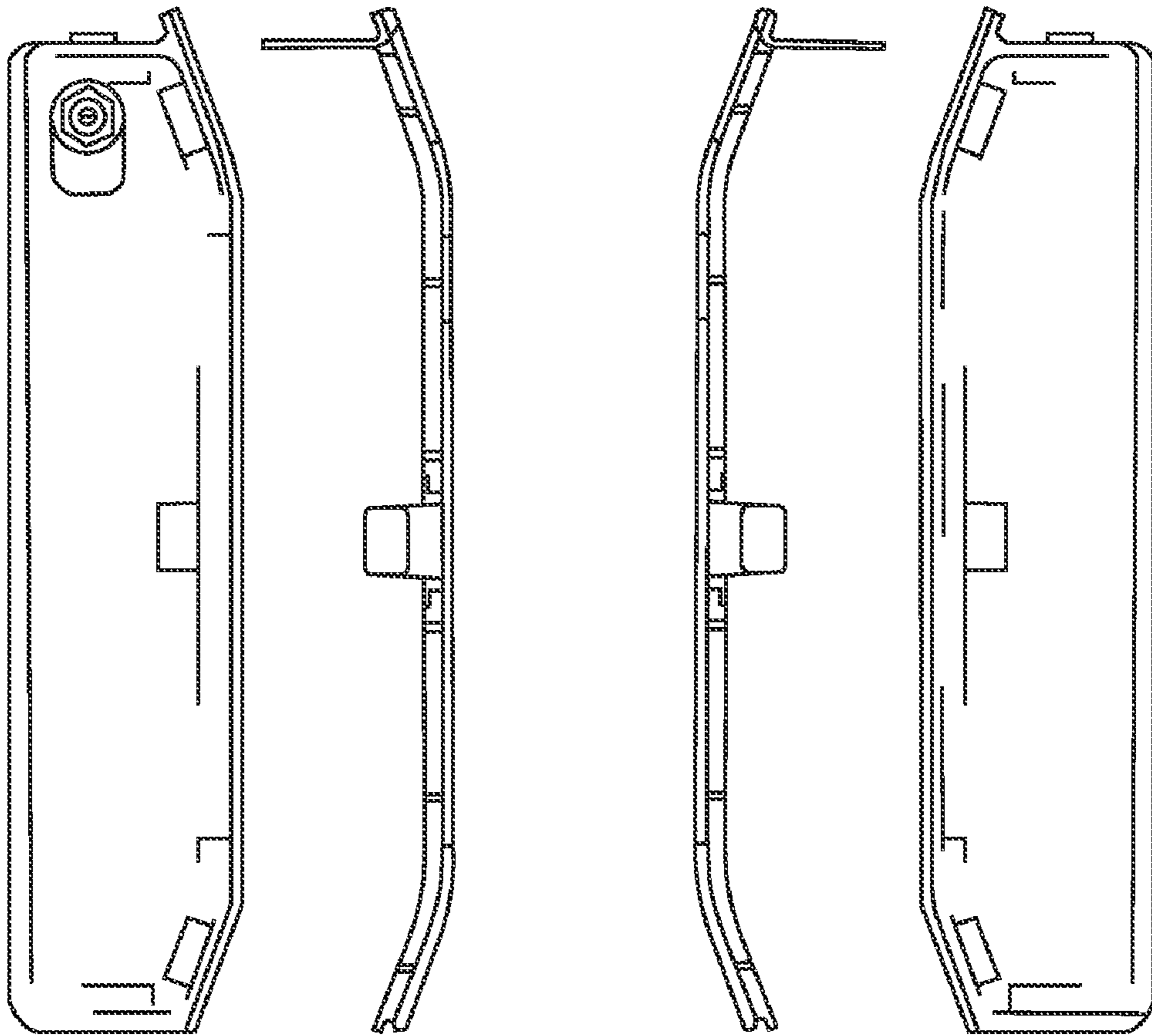


Fig. 9

Fig. 10



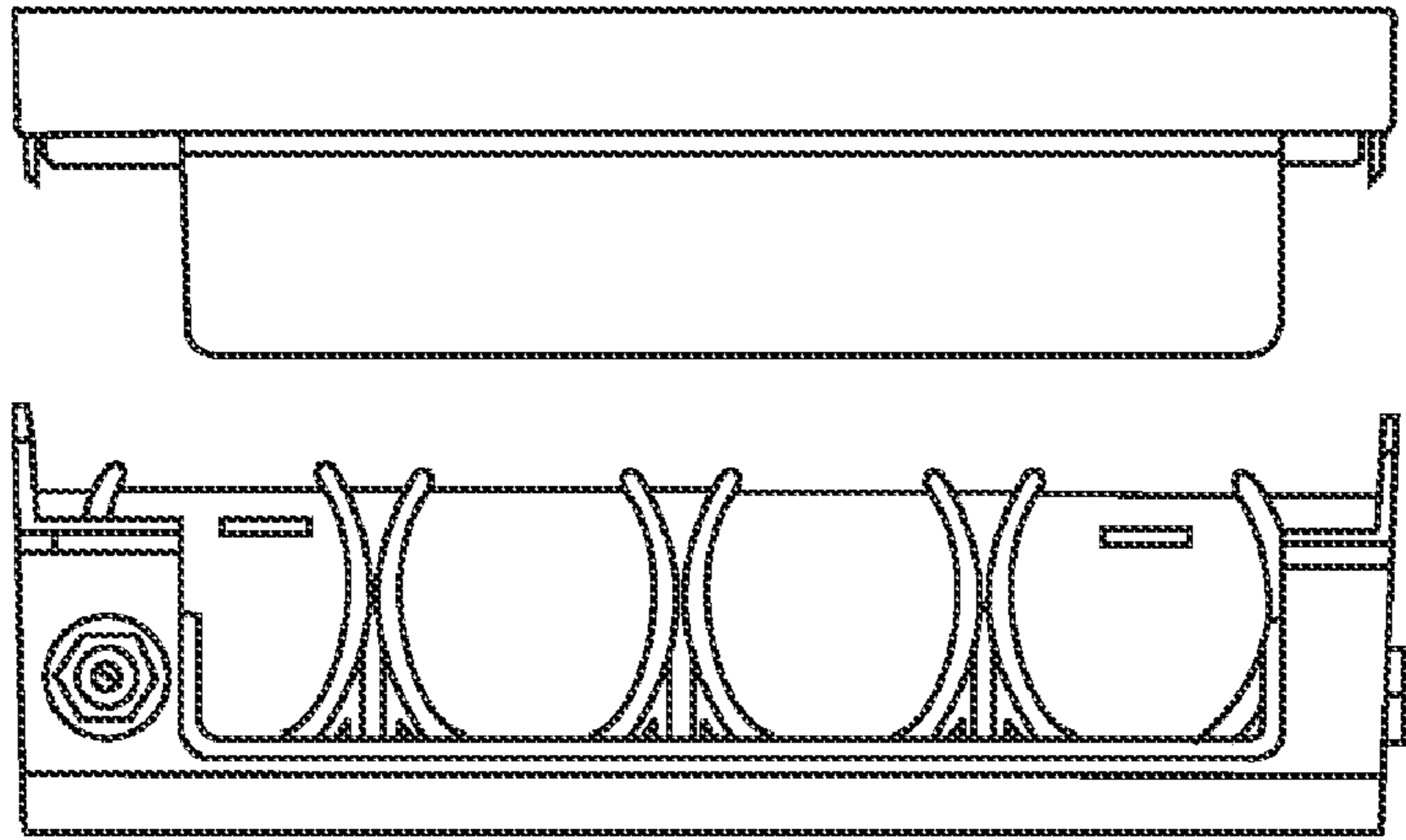


Fig. 11

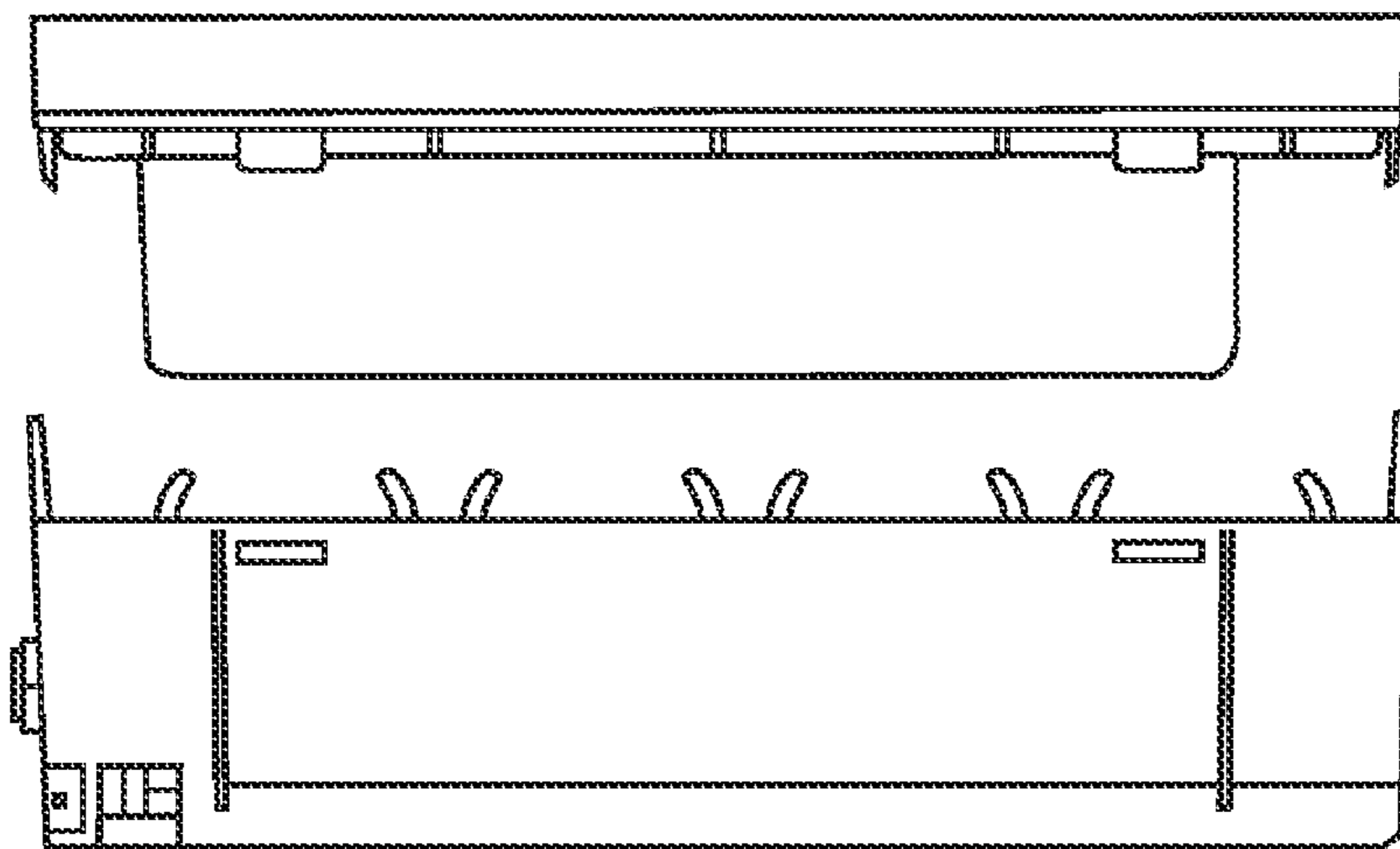


Fig. 12

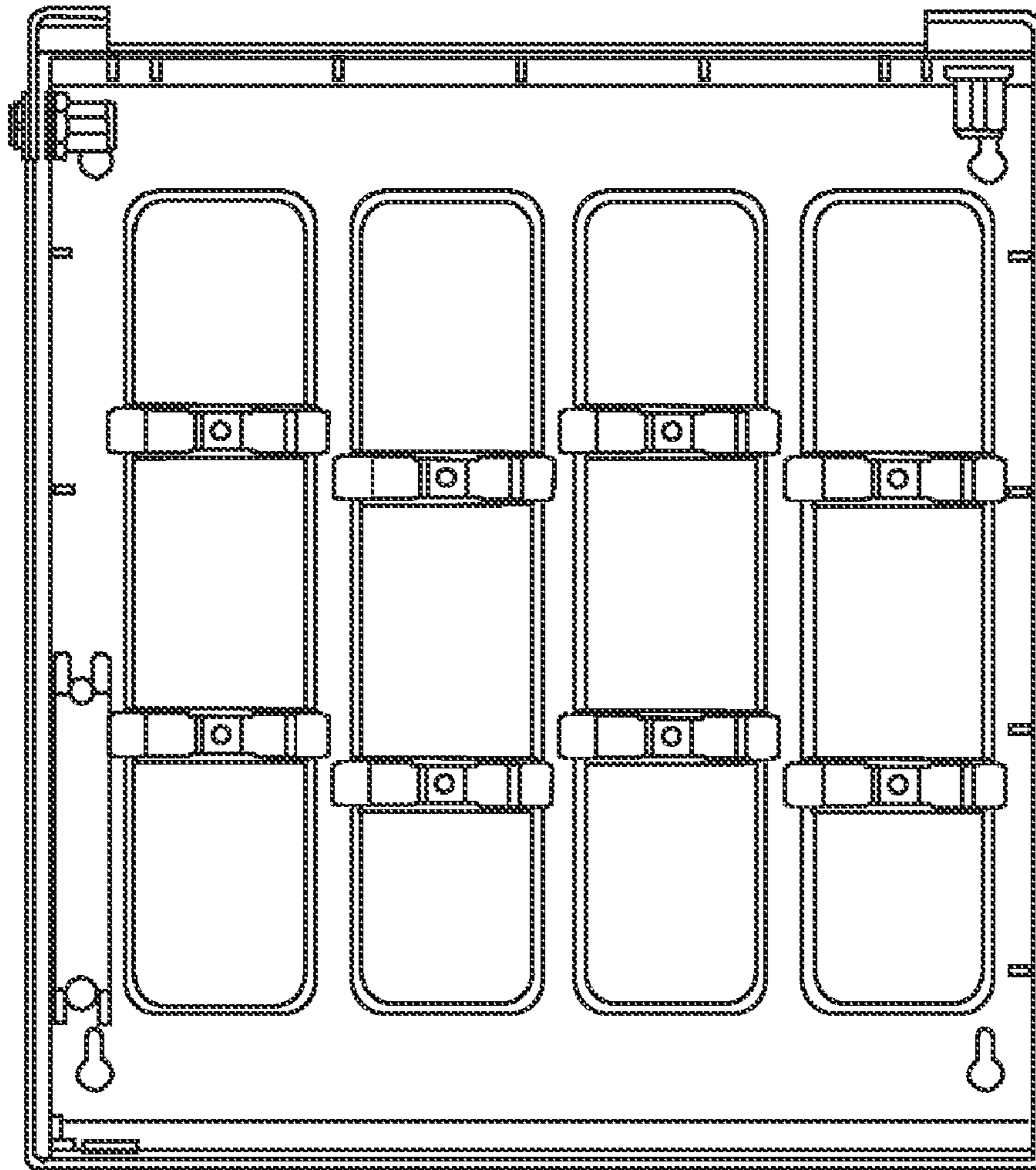


Fig. 13

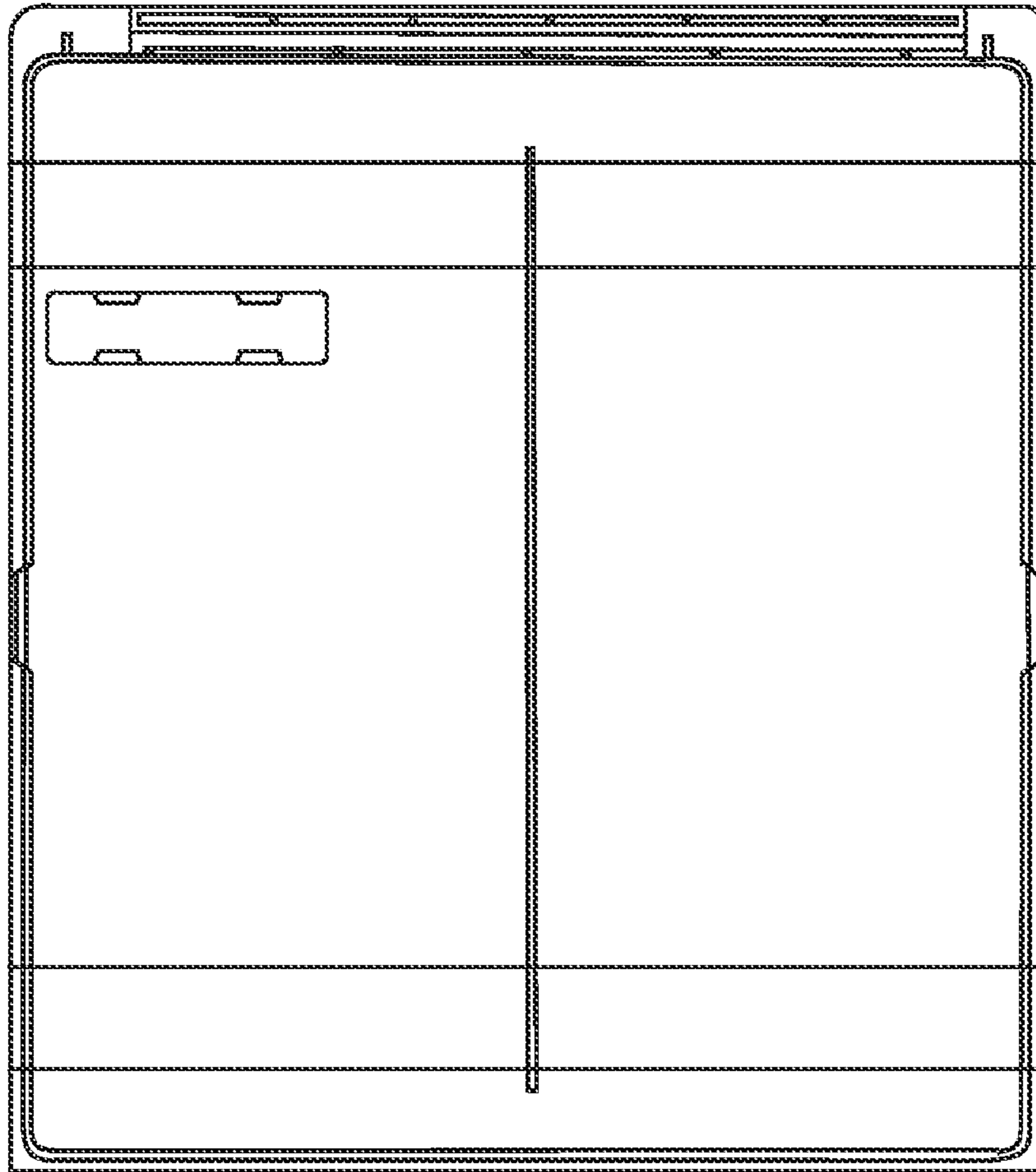


Fig. 14