



US00D645934S

(12) **United States Design Patent**  
**Bertucci et al.**

(10) **Patent No.:** **US D645,934 S**  
(45) **Date of Patent:** **\*\* Sep. 27, 2011**

(54) **FLUID DISPENSER**

(75) Inventors: **Michael H. Bertucci**, Gurnee, IL (US);  
**Christopher F. Lang**, Racine, WI (US);  
**Susan K. Lewis**, Gurnee, IL (US);  
**Justin M. Nunez**, Milwaukee, WI (US);  
**Timothy S. Jones**, Sharpsburg, GA  
(US); **Steven E. Schiller**, Kenosha, WI  
(US); **Wayne P. Phillips**, Hudson, WI  
(US); **Jerome A. Grunstad**, Inver Grove  
Heights, MN (US)

(73) Assignee: **Diversey, Inc.**, Sturtevant, WI (US)

(\*\*) Term: **14 Years**

(21) Appl. No.: **29/383,027**

(22) Filed: **Jan. 11, 2011**

**Related U.S. Application Data**

(60) Continuation of application No. 29/365,645, filed on Jul. 13, 2010, now Pat. No. Des. 631,940, which is a continuation of application No. 29/342,206, filed on Aug. 20, 2009, now Pat. No. Des. 619,676, which is a division of application No. 29/291,940, filed on Sep. 21, 2007, now Pat. No. Des. 599,879.

(51) **LOC (9) Cl.** ..... **23-01**

(52) **U.S. Cl.** ..... **D23/208**

(58) **Field of Classification Search** ..... D15/147,  
D15/199; D8/2; D23/200, 207, 208, 213,  
D23/223; 366/129, 162.1-162.3, 336, 342,  
366/344; 290/54; 222/52-59

See application file for complete search history.

(56) **References Cited**

**U.S. PATENT DOCUMENTS**

3,346,144 A 10/1967 Hings  
3,620,415 A 11/1971 Ruth  
3,642,171 A 2/1972 Ernst  
3,984,698 A 10/1976 Brewer  
4,023,778 A 5/1977 Joly et al.

(Continued)

**FOREIGN PATENT DOCUMENTS**

DE 4026283 2/1991

(Continued)

*Primary Examiner* — Brian N Vinson

(74) *Attorney, Agent, or Firm* — Gregory S. Bollie

(57) **CLAIM**

The ornamental design for a fluid dispenser, as shown and described.

**DESCRIPTION**

FIG. 1 is a perspective view of a fluid dispenser constructed in accordance with one embodiment of the present invention.

FIG. 2 is a left side view of the fluid dispenser shown in FIG. 1.

FIG. 3 is a front view of the fluid dispenser shown in FIGS. 1 and 2.

FIG. 4 is a right side view of the fluid dispenser shown in FIGS. 1-3.

FIG. 5 is a rear view of the fluid dispenser shown in FIGS. 1-4.

FIG. 6 is a top view of the fluid dispenser shown in FIGS. 1-5.

FIG. 7 is a perspective view of an alternative embodiment of the fluid dispenser according to the present invention.

FIG. 8 is a left side view of the embodiment of the fluid dispenser shown in FIG. 7.

FIG. 9 is a front view of the embodiment of the fluid dispenser shown in FIGS. 7 and 8.

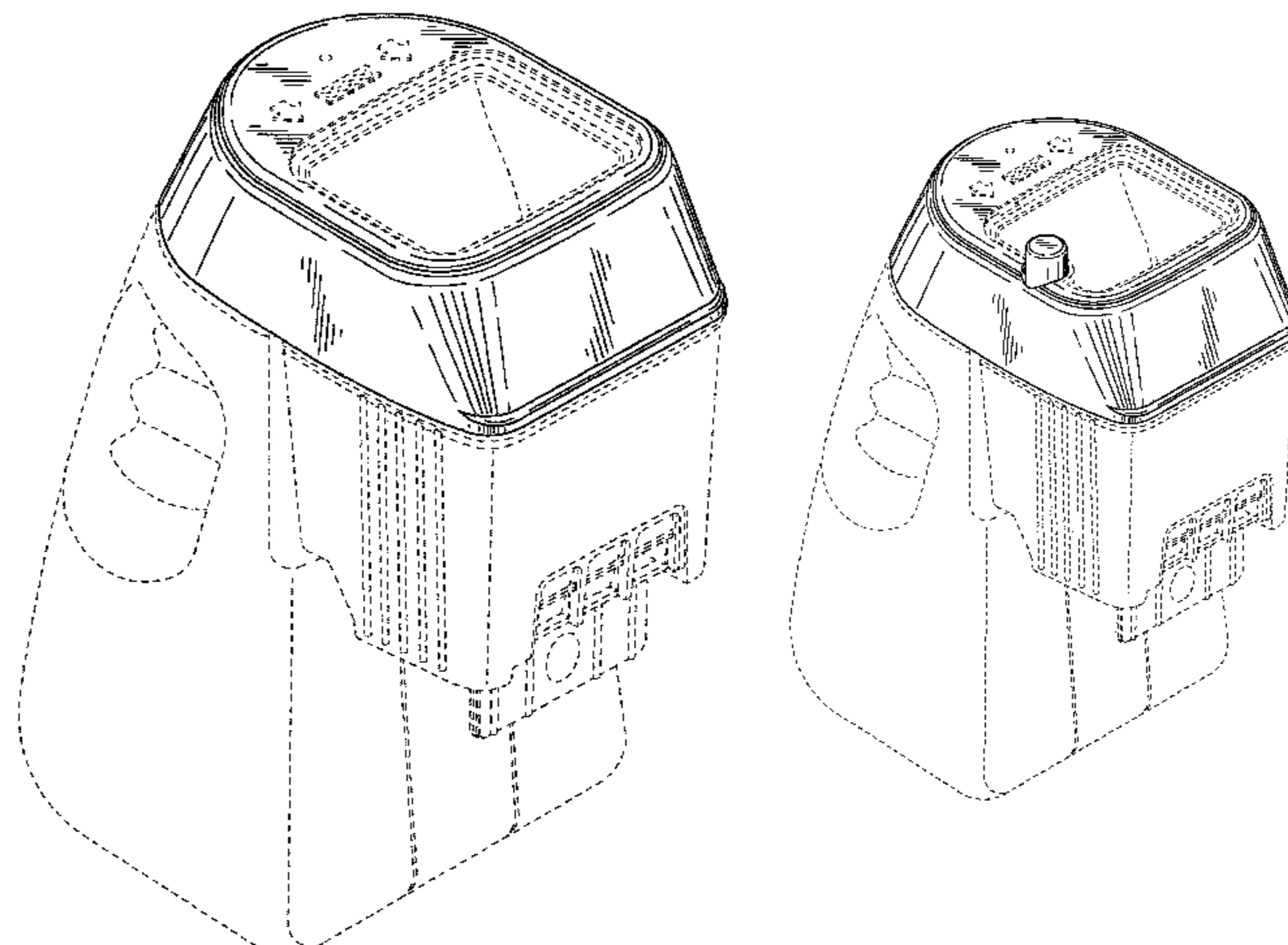
FIG. 10 is a right side view of the embodiment of the fluid dispenser shown in FIGS. 7-9.

FIG. 11 is a rear view of the embodiment of the fluid dispenser shown in FIGS. 7-10; and,

FIG. 12 is a top view of the embodiment of a fluid dispenser shown in FIGS. 7-11.

The broken line disclosure is understood to represent portions of the article in which the claimed design is embodied, but which form no part of the claimed design.

**1 Claim, 12 Drawing Sheets**



# US D645,934 S

Page 2

## U.S. PATENT DOCUMENTS

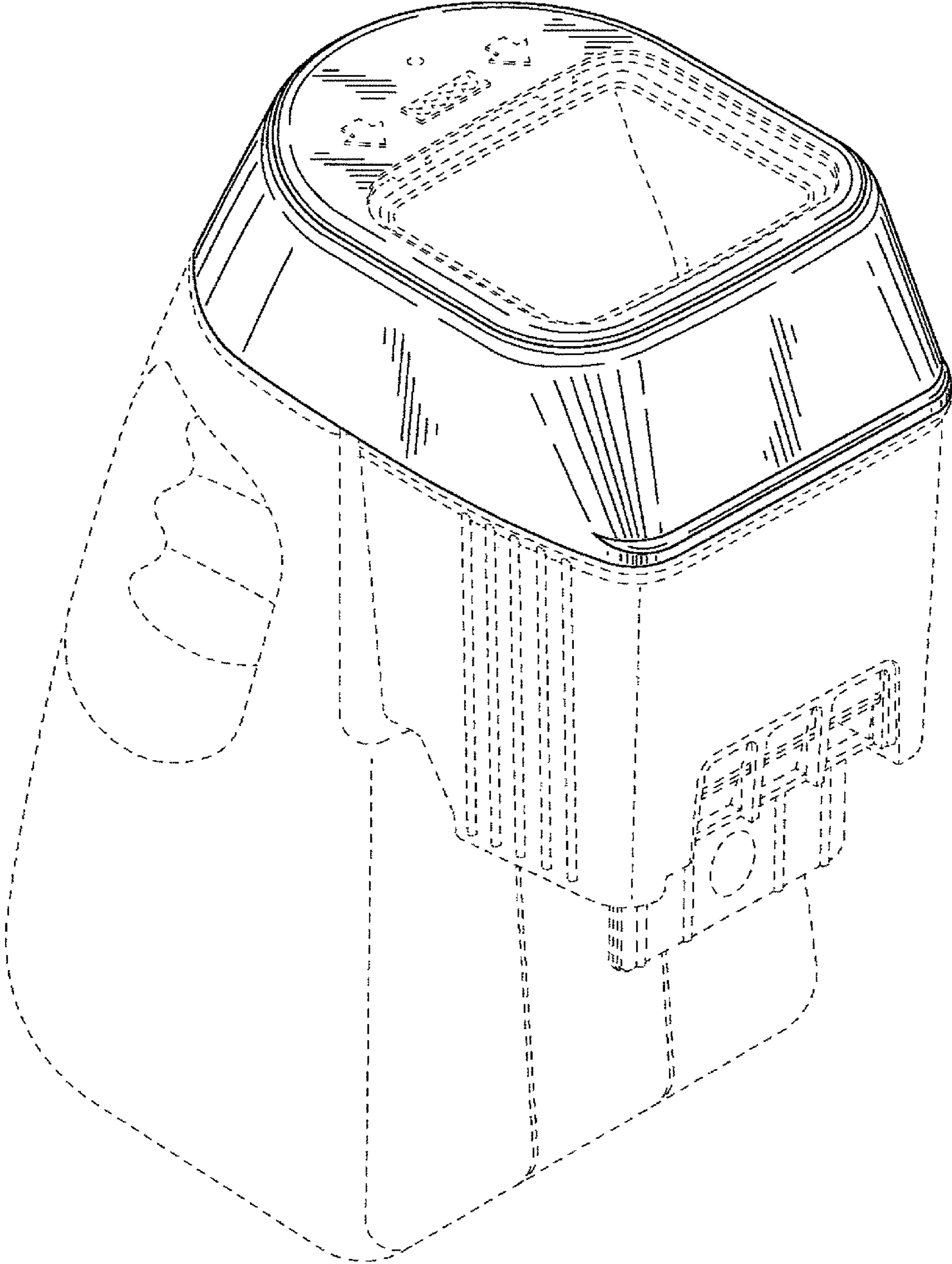
4,363,341 A 12/1982 Powell  
4,538,919 A 9/1985 Bohnensieker  
D333,951 S \* 3/1993 Courtney et al. .... D8/2  
5,905,312 A 5/1999 Liou  
6,029,688 A 2/2000 Kaufman  
6,079,871 A 6/2000 Jonas et al.  
6,173,458 B1 1/2001 Maddux  
D463,226 S \* 9/2002 Winkler ..... D8/2  
D510,609 S \* 10/2005 Huang ..... D23/223  
7,090,098 B2 8/2006 Livingston et al.  
D534,044 S \* 12/2006 Zak ..... D8/2  
D540,906 S \* 4/2007 Hardwick ..... D23/208  
7,235,894 B2 6/2007 Roos  
D571,432 S \* 6/2008 Hardwick ..... D23/208  
D599,879 S 9/2009 Bertucci et al.

D619,676 S 7/2010 Bertucci et al.  
2005/0247742 A1 11/2005 Livingston et al.  
2006/0043738 A1 3/2006 Roos

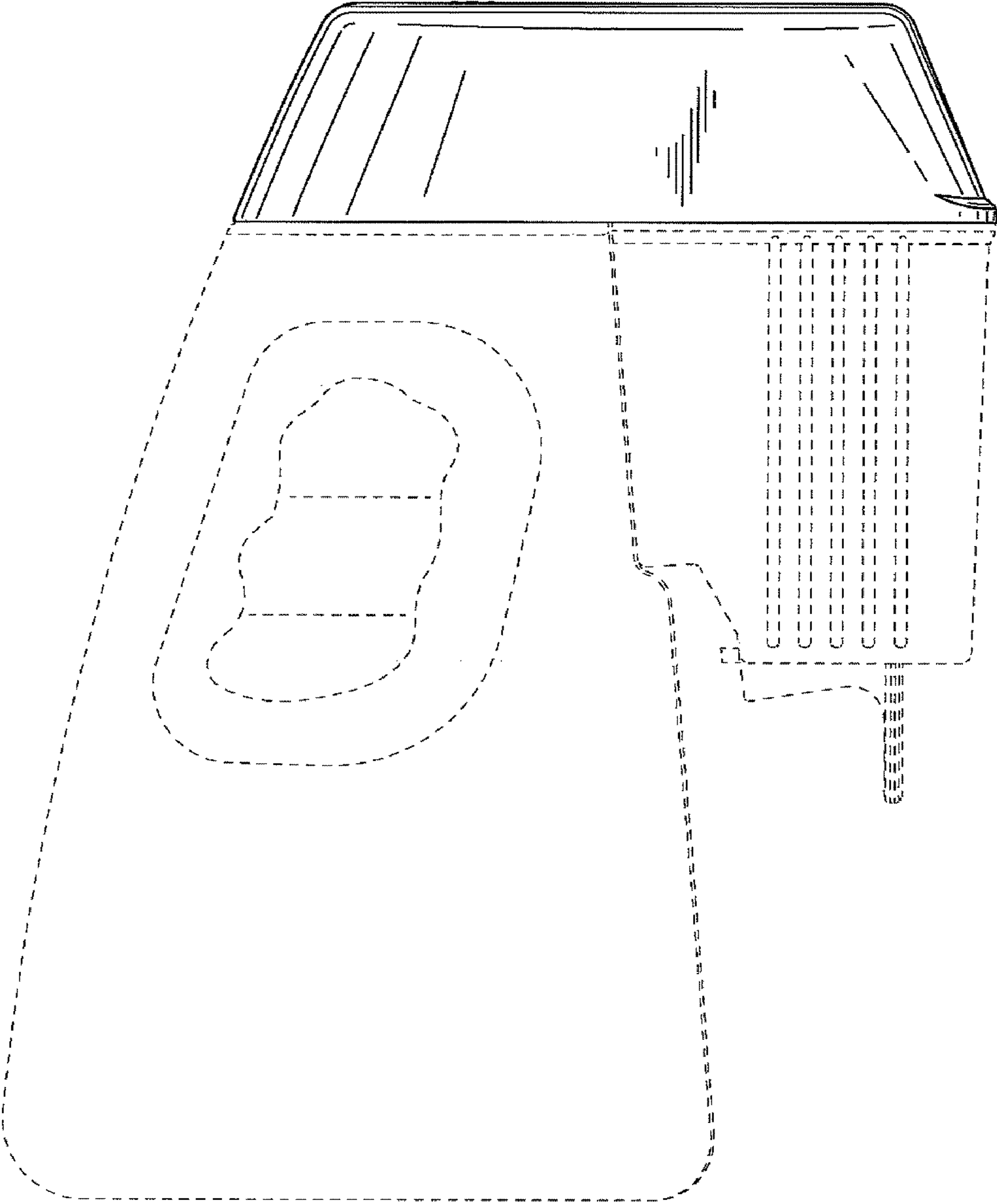
## FOREIGN PATENT DOCUMENTS

EP 0098419 1/1984  
FR 1060506 4/1954  
FR 2808898 11/2001  
GB 1915 9067 6/1916  
GB 266883 3/1927  
GB 777043 6/1957  
GB 974211 11/1964  
JP 09014129 1/1997  
JP 09048479 2/1997  
WO 97/48321 12/1997

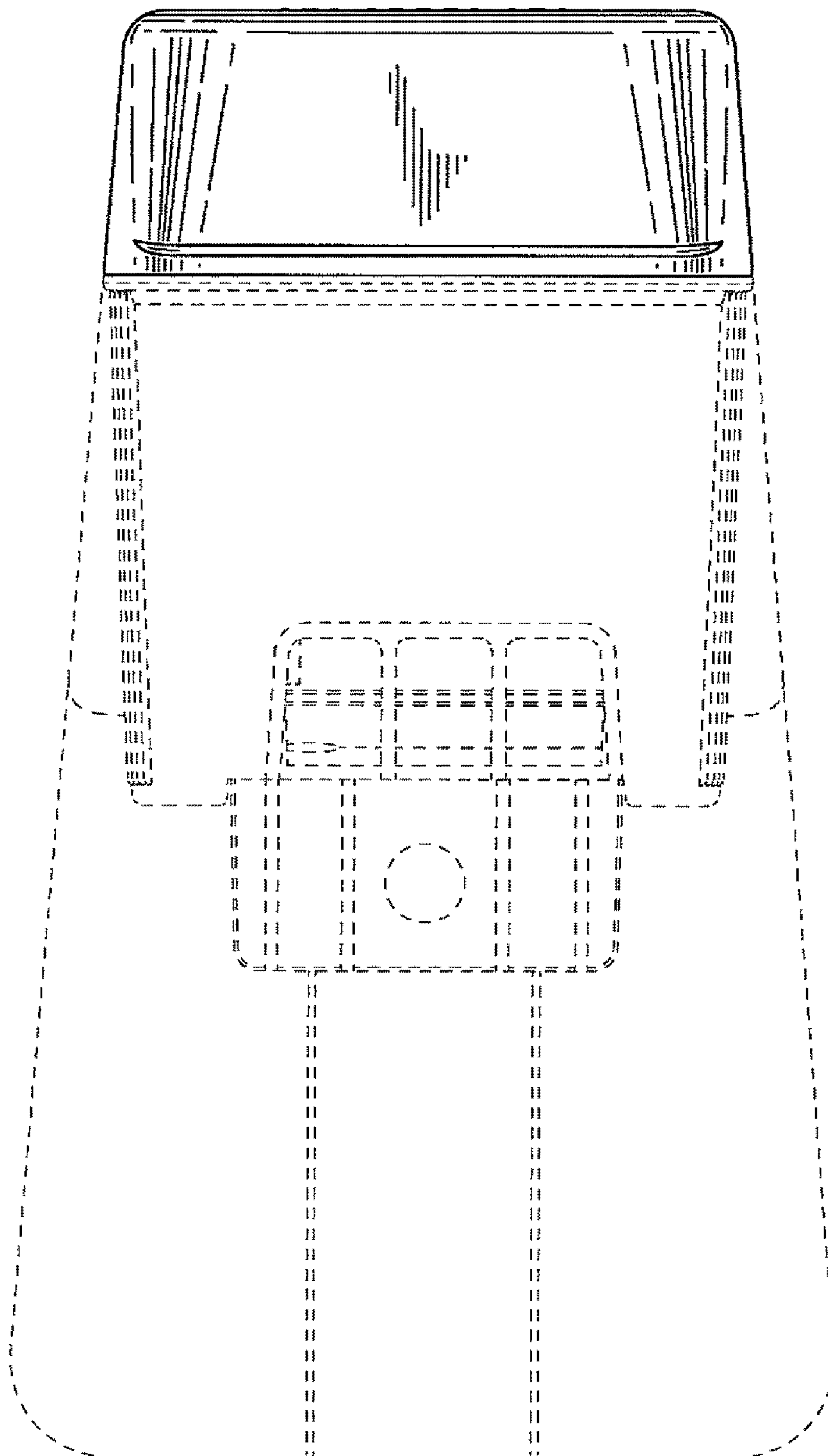
\* cited by examiner



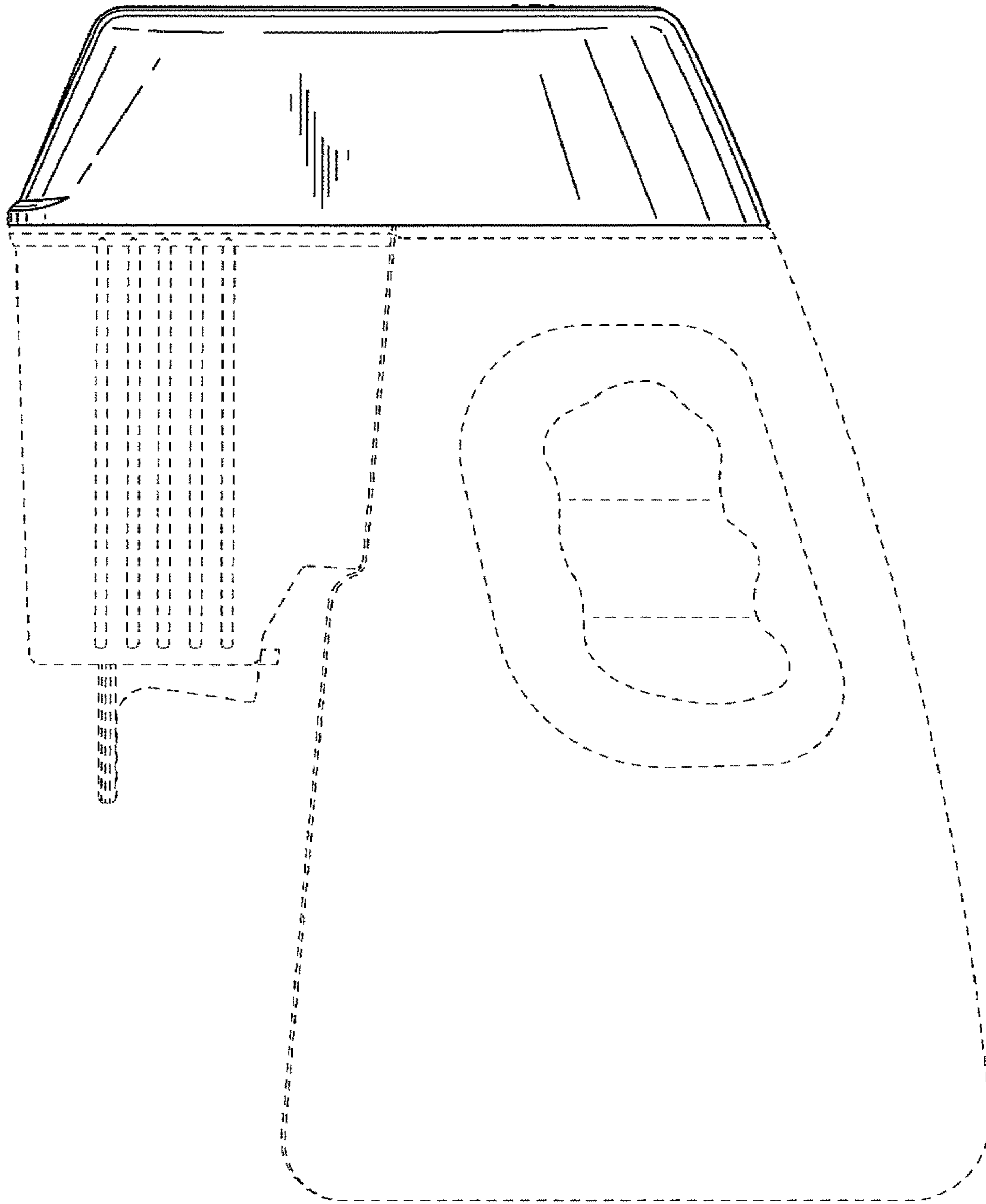
**FIG. 1**



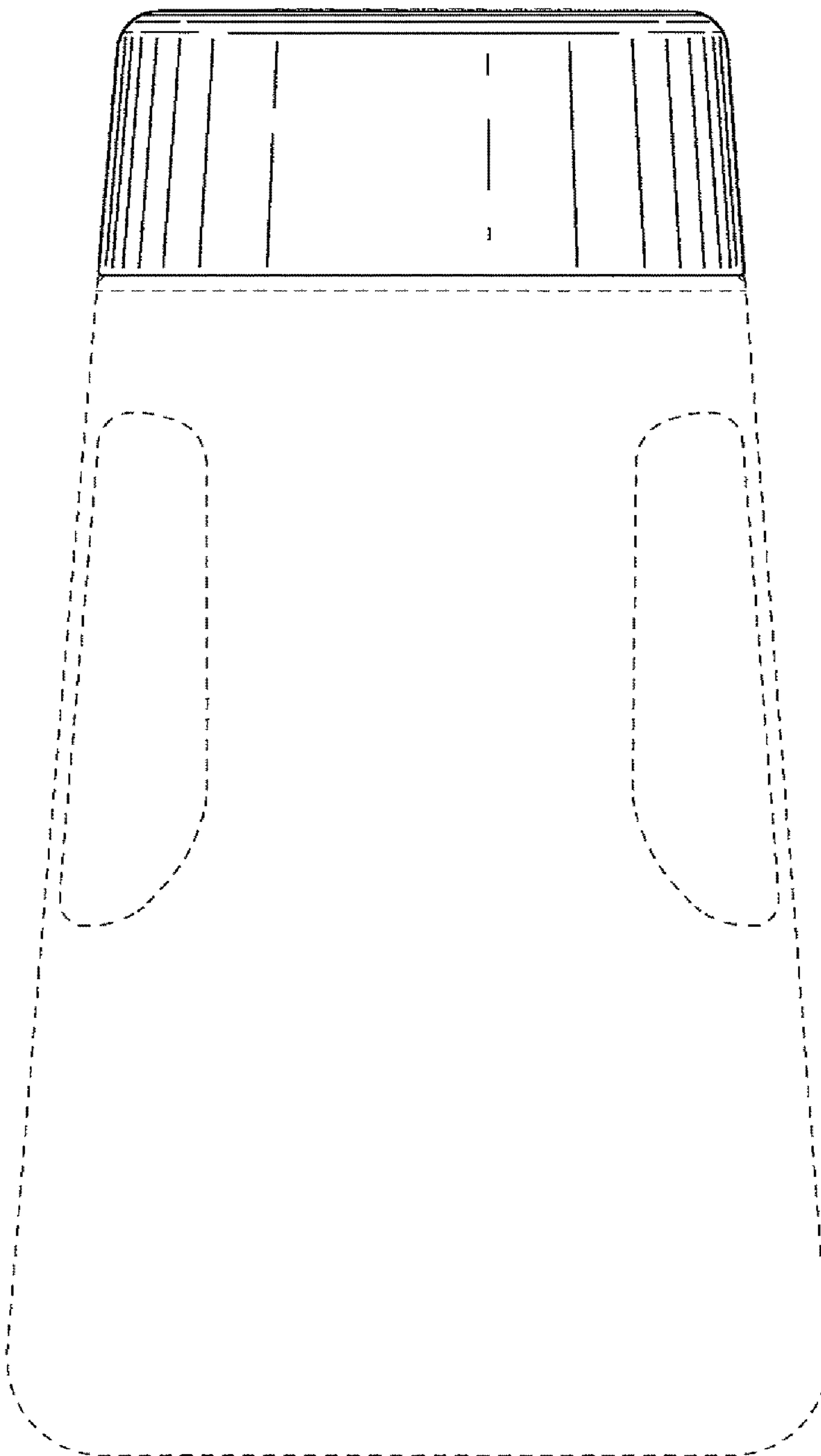
**FIG. 2**



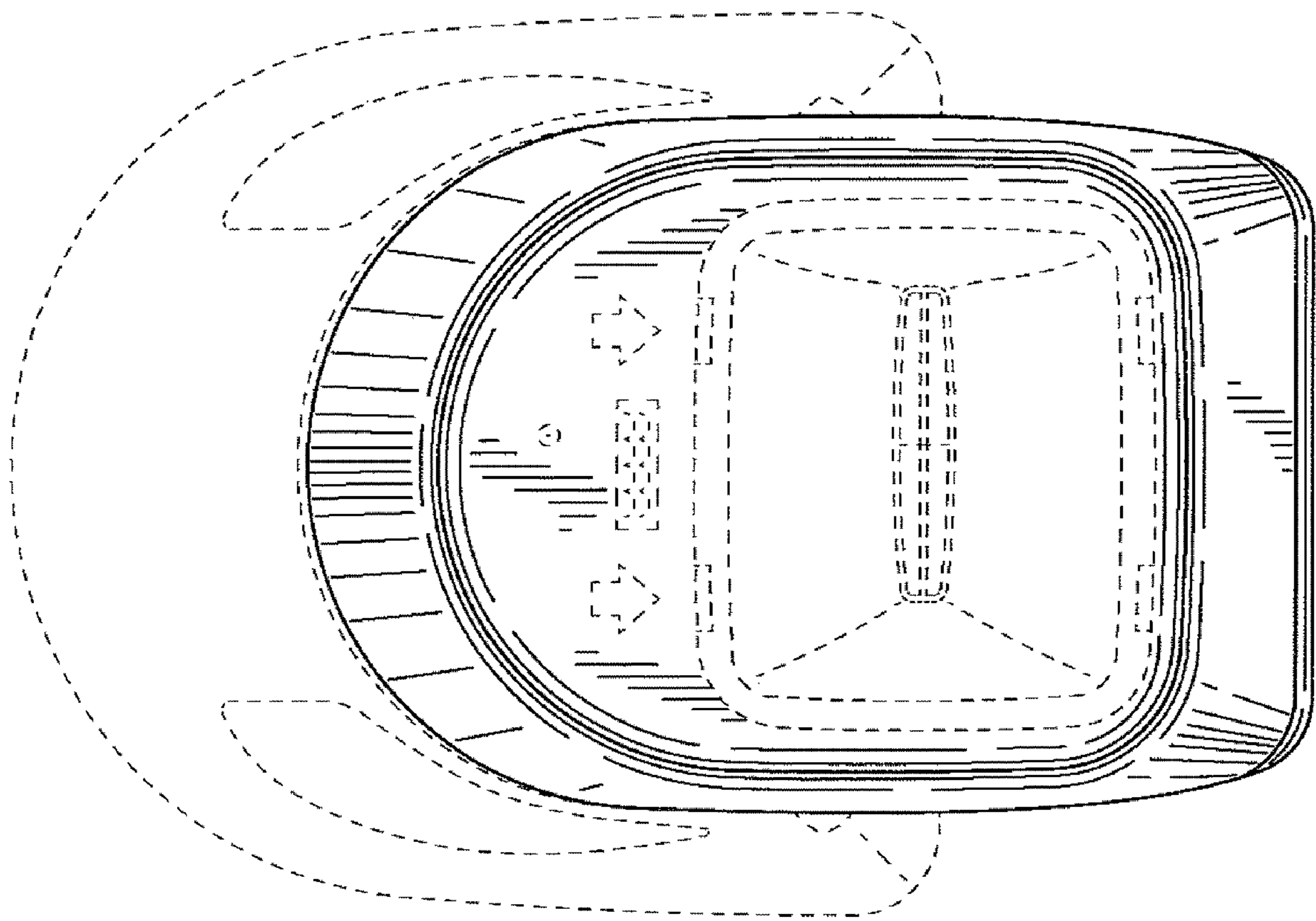
**FIG. 3**



**FIG. 4**

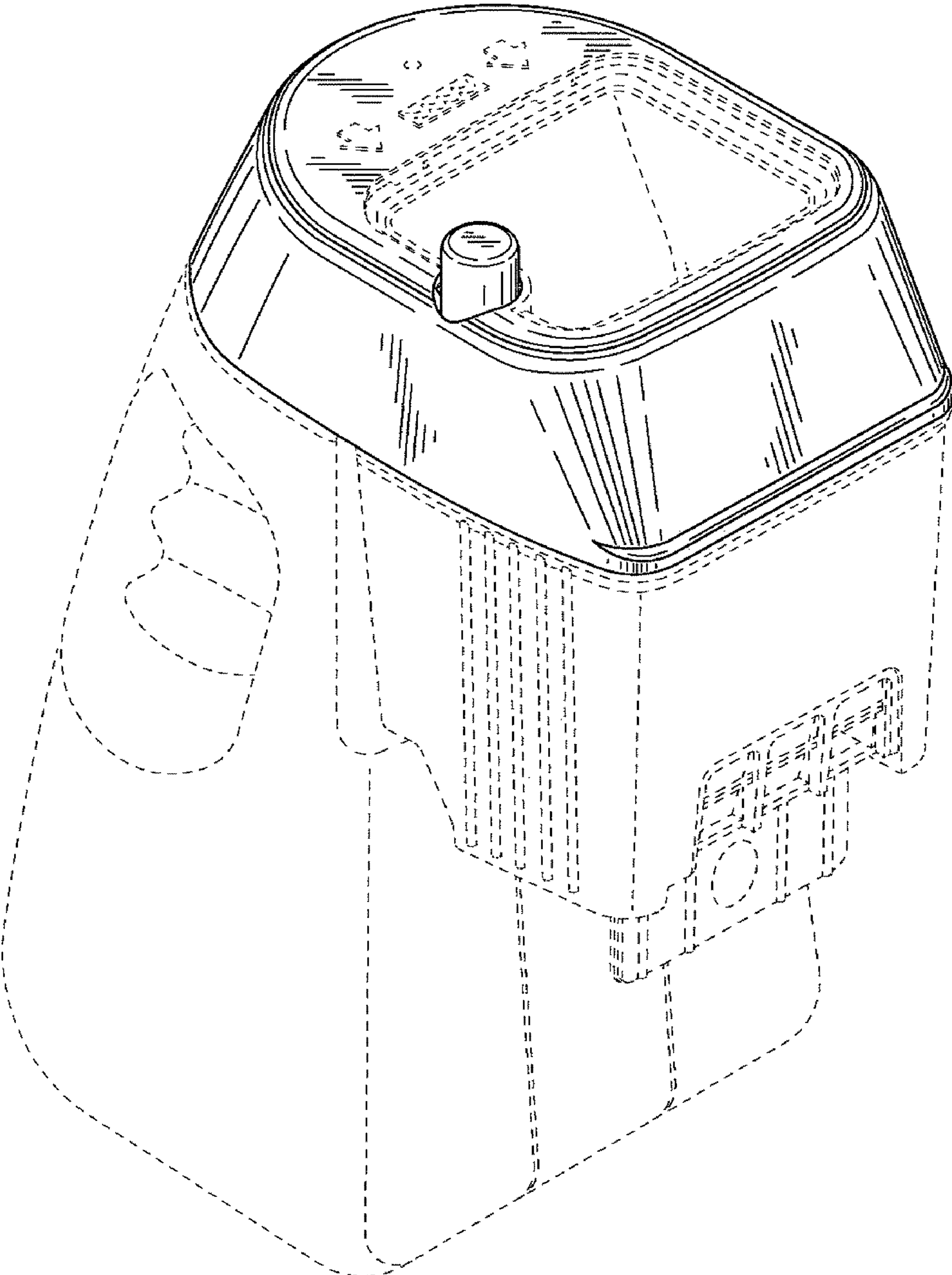


**FIG. 5**

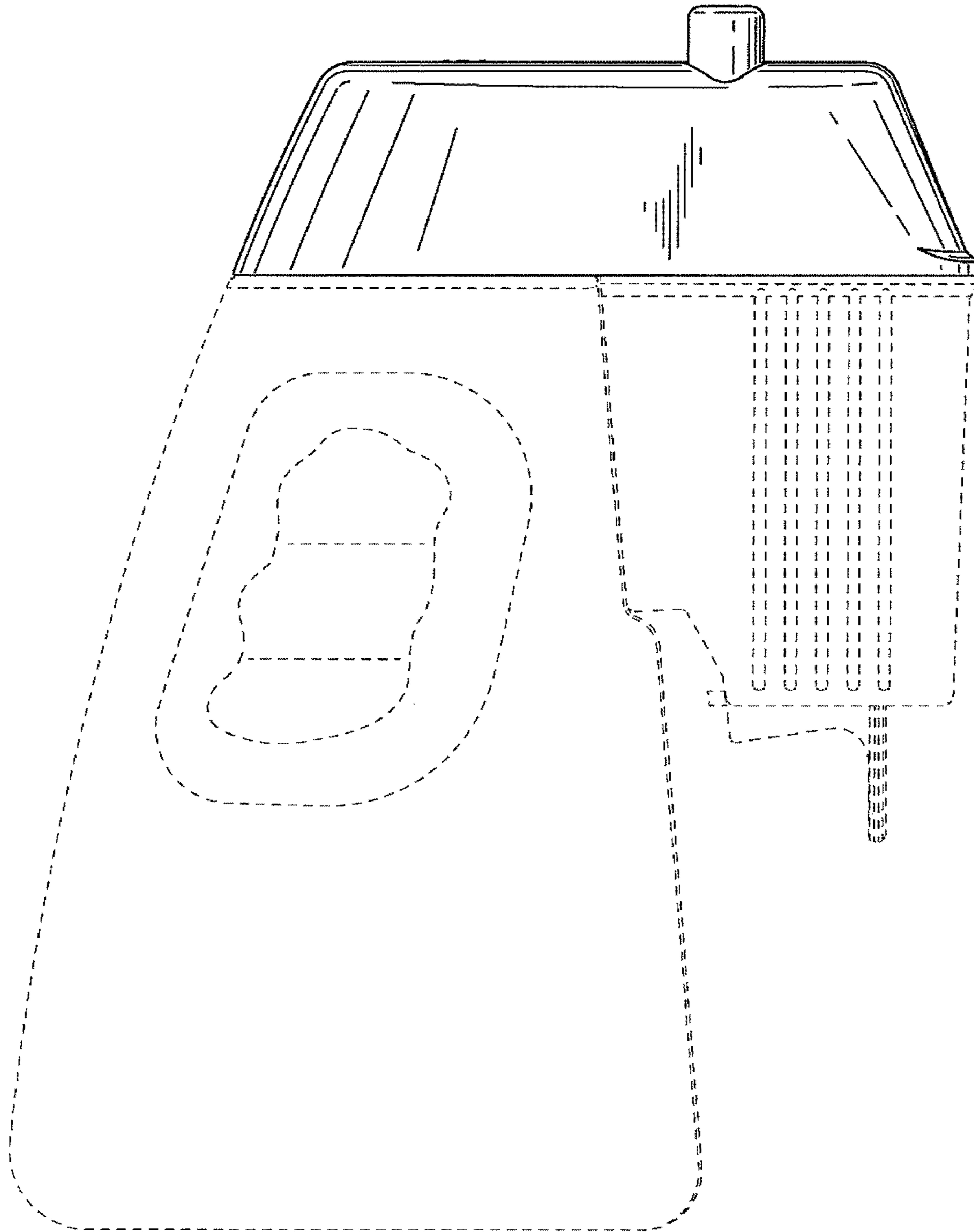


**FIG. 6**

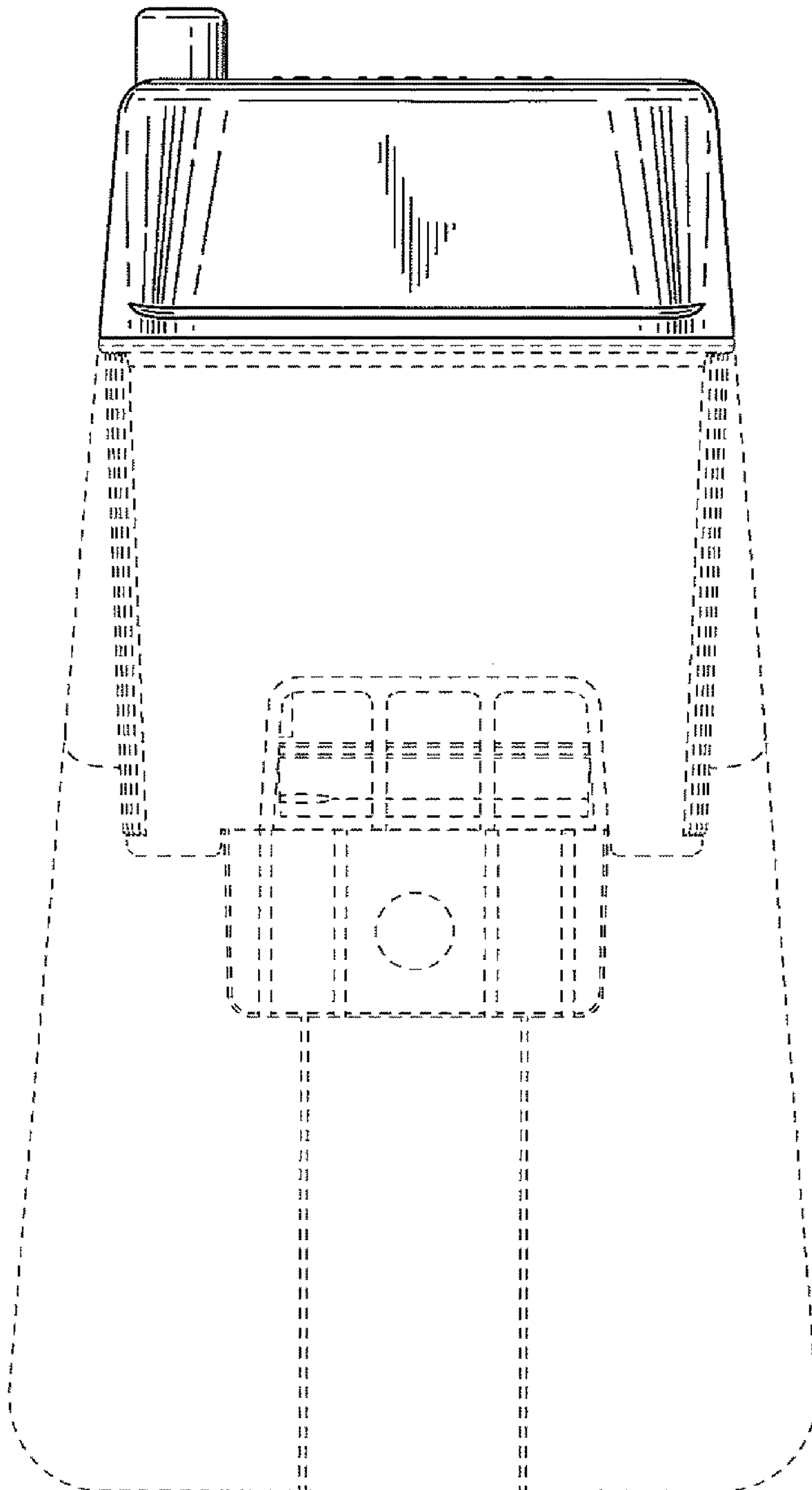




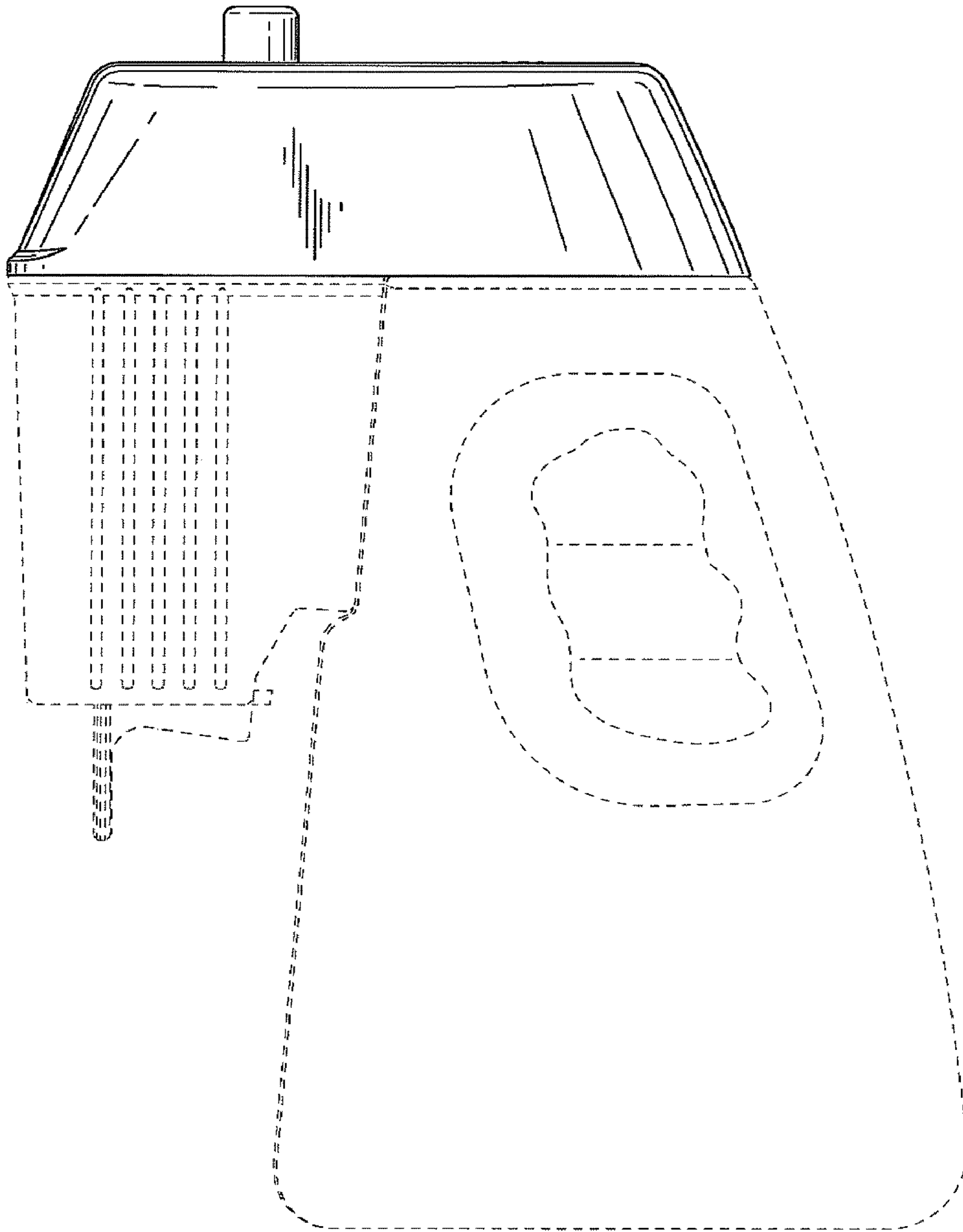
**FIG. 7**



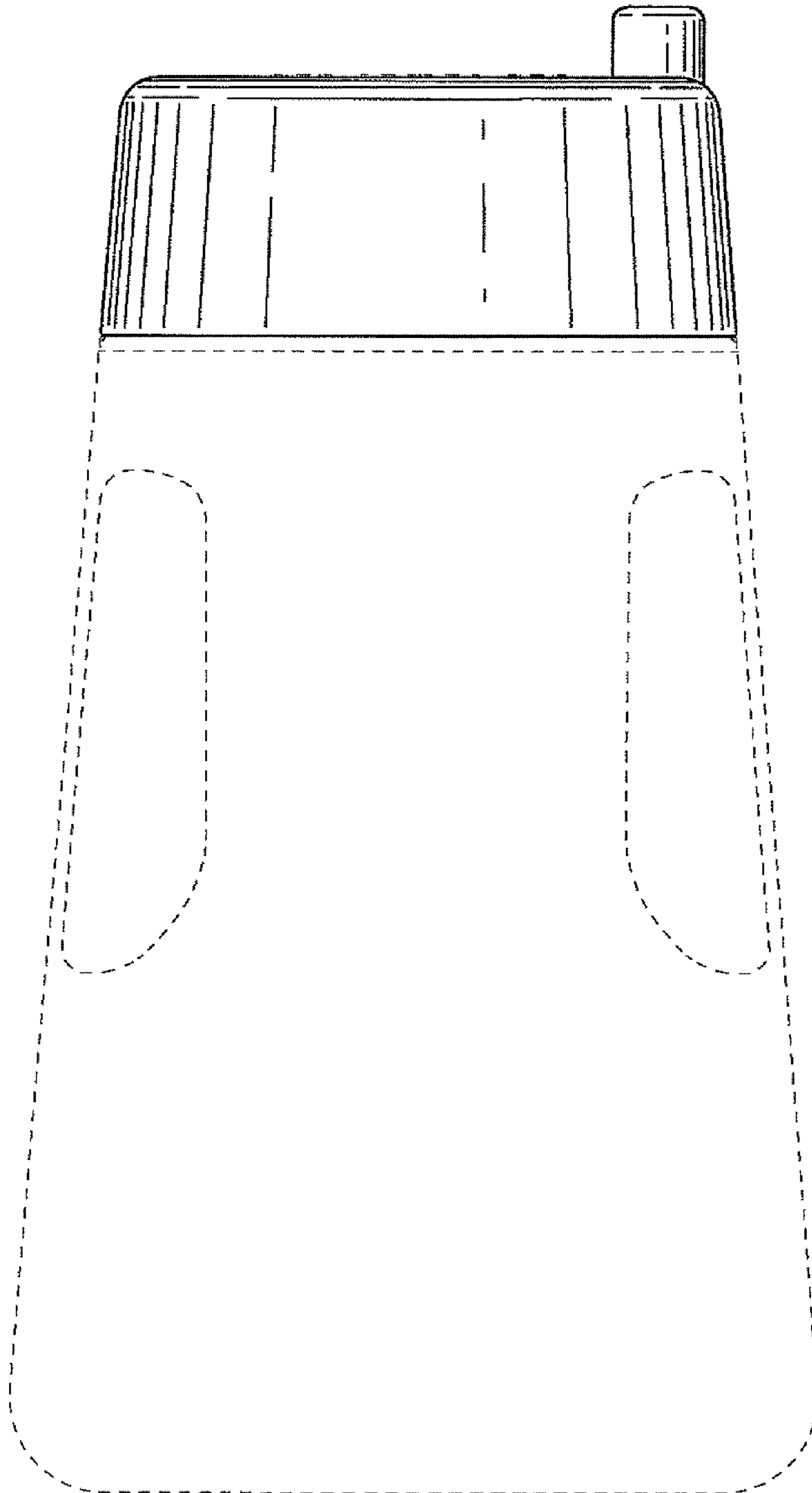
**FIG. 8**



**FIG. 9**



**FIG. 10**



**FIG. 11**

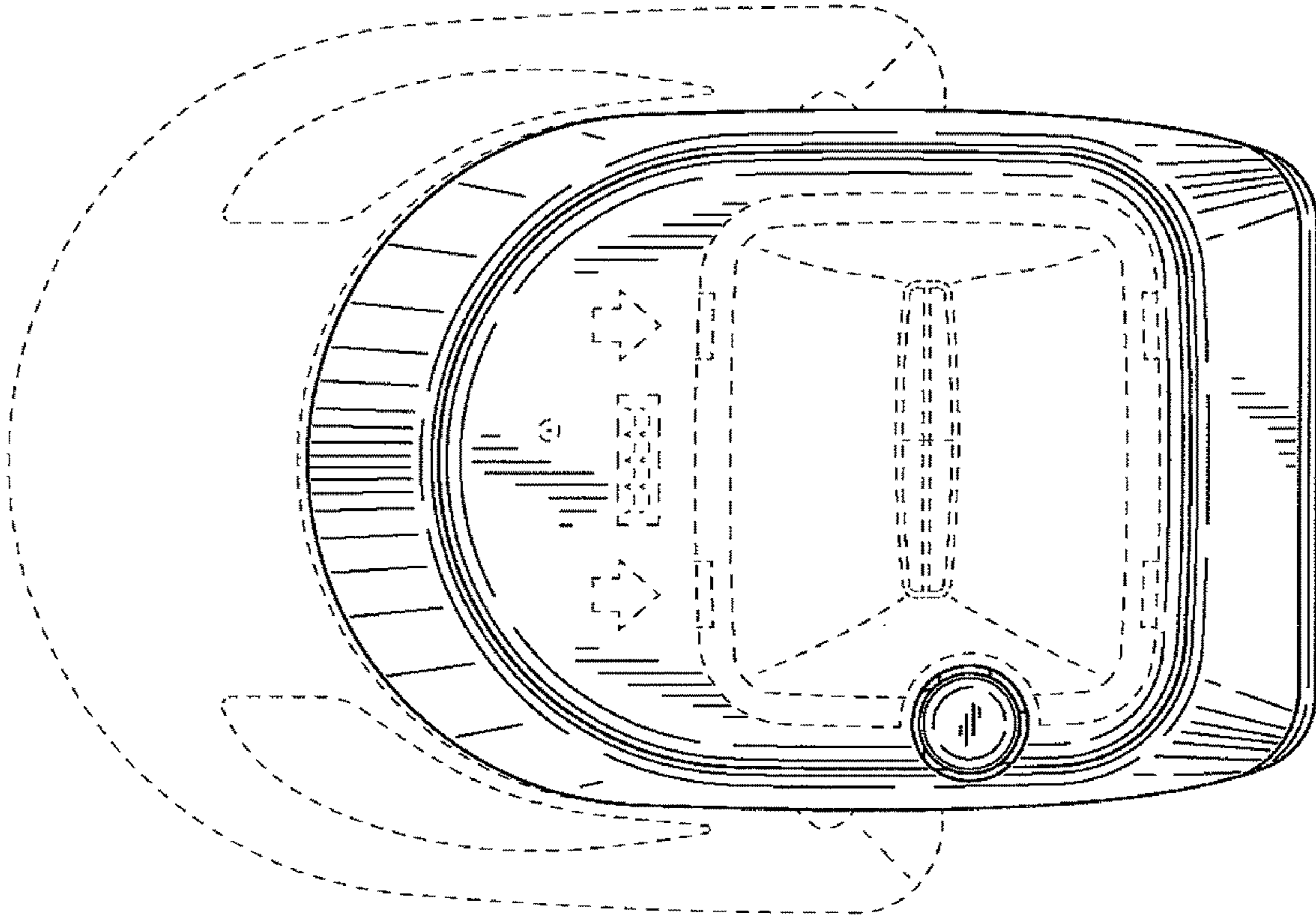


FIG. 12