



US00D645933S

(12) **United States Design Patent**
Henry, Jr.

(10) **Patent No.:** **US D645,933 S**
(45) **Date of Patent:** **** Sep. 27, 2011**

(54) **FISHING TACKLE SWIVEL HAVING A
KNURLED SURFACE**

(75) Inventor: **Troy Dixon Henry, Jr.**, Morehead City,
NC (US)

(73) Assignee: **Fishie Tackle, LLC**, Morehead City, NC
(US)

(**) Term: **14 Years**

(21) Appl. No.: **29/379,190**

(22) Filed: **Nov. 16, 2010**

(51) **LOC (9) Cl.** **22-05**

(52) **U.S. Cl.** **D22/134**

(58) **Field of Classification Search** D22/134,
D22/126-133, 144-146, 199; 43/42.28,
43/42.39; D3/207-212; D8/349, 367; 403/78
See application file for complete search history.

(56) **References Cited**

U.S. PATENT DOCUMENTS

D346,423 S *	4/1994	Kitagawa	D22/134
D360,750 S *	8/1995	Stillwagon	D3/207
D586,424 S *	2/2009	Gibbs	D22/144
D633,171 S *	2/2011	Wastrack	D22/134

D637,687 S * 5/2011 Jarboe D22/144
* cited by examiner

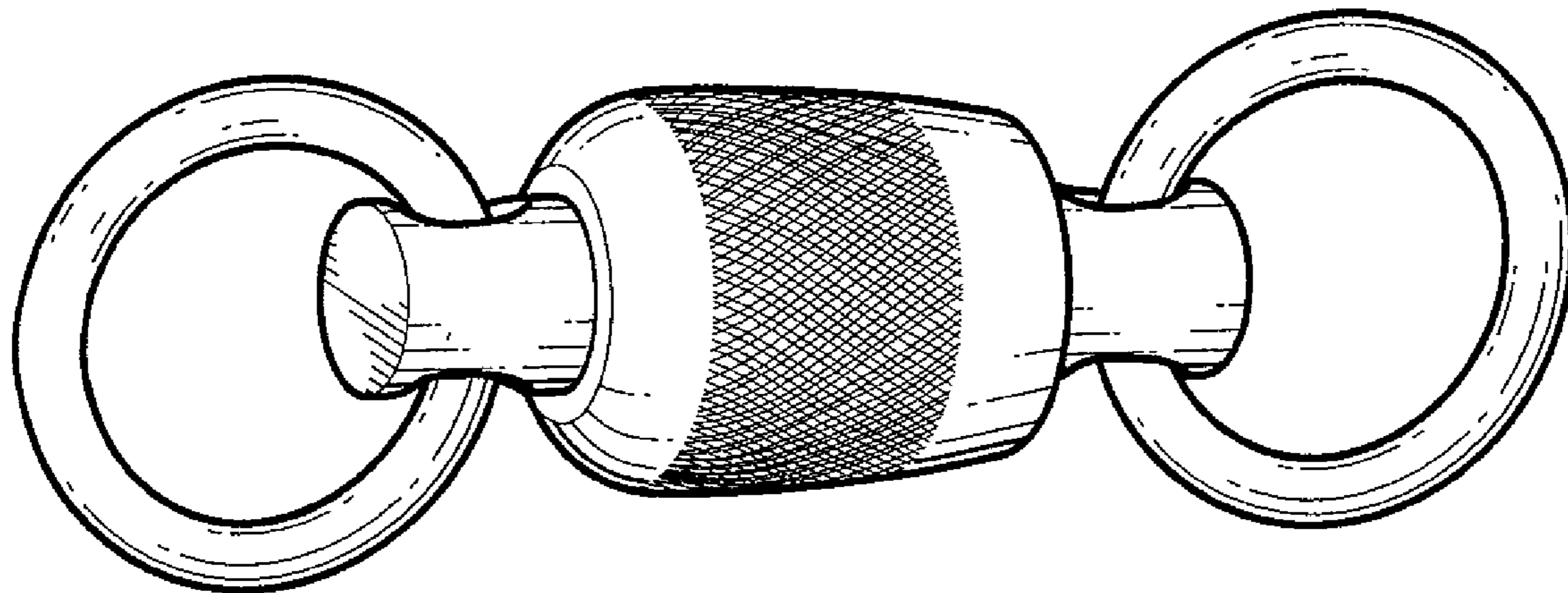
Primary Examiner — Catheri Oliver
(74) *Attorney, Agent, or Firm* — Welsh, Flaxman & Gitler
LLC

(57) **CLAIM**
The ornamental design for a fishing tackle swivel having a
knurled surface, as shown, and described.

DESCRIPTION

FIG. 1 is a perspective view of the fishing tackle swivel having
a knurled surface according to the present invention;
FIG. 2 is a perspective view of the fishing tackle swivel having
a knurled surface according to the present invention shown
from the opposite end to that shown in FIG. 1;
FIG. 3 is a side view of the fishing tackle swivel having a
knurled surface according to the present invention shown in
FIG. 1;
FIG. 4 is a top view of the fishing tackle swivel having a
knurled surface according to the present invention shown in
FIG. 1;
FIG. 5 is an end view of the fishing tackle swivel having a
knurled surface; and,
FIG. 6 is an opposite end view of the fishing tackle swivel
having a knurled surface.

1 Claim, 2 Drawing Sheets



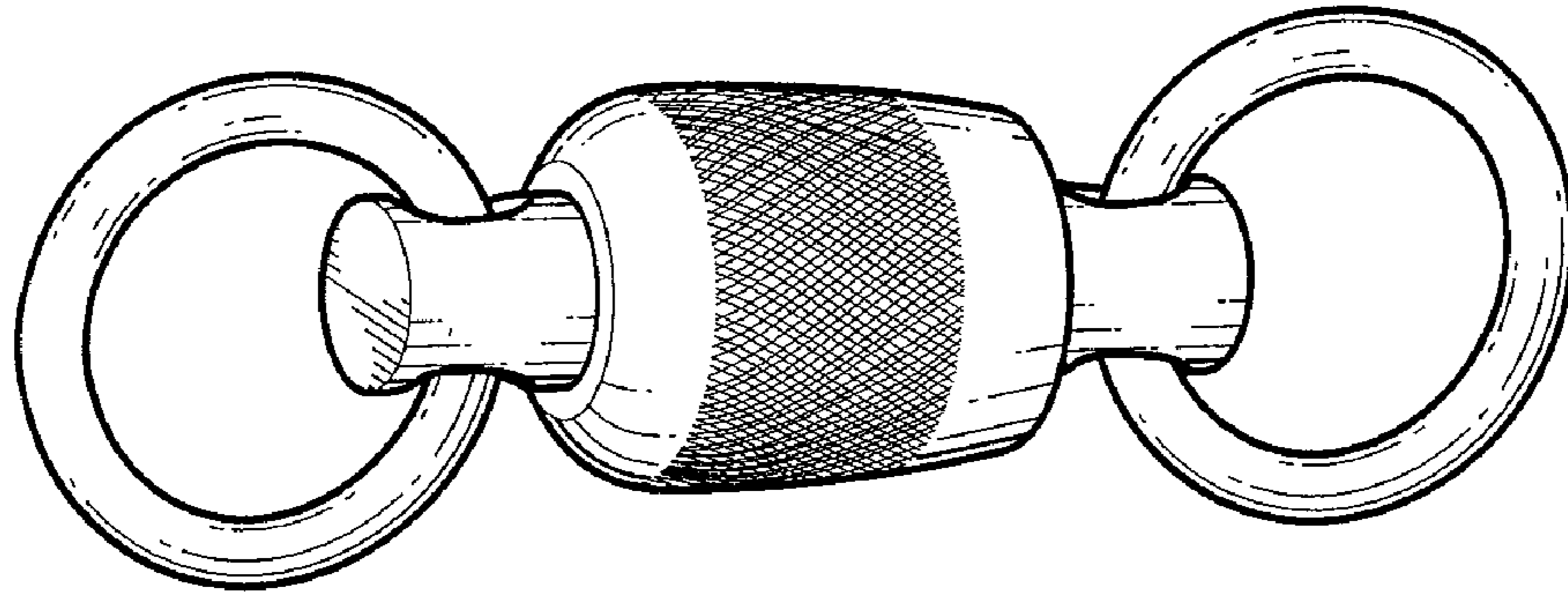


FIG. 1

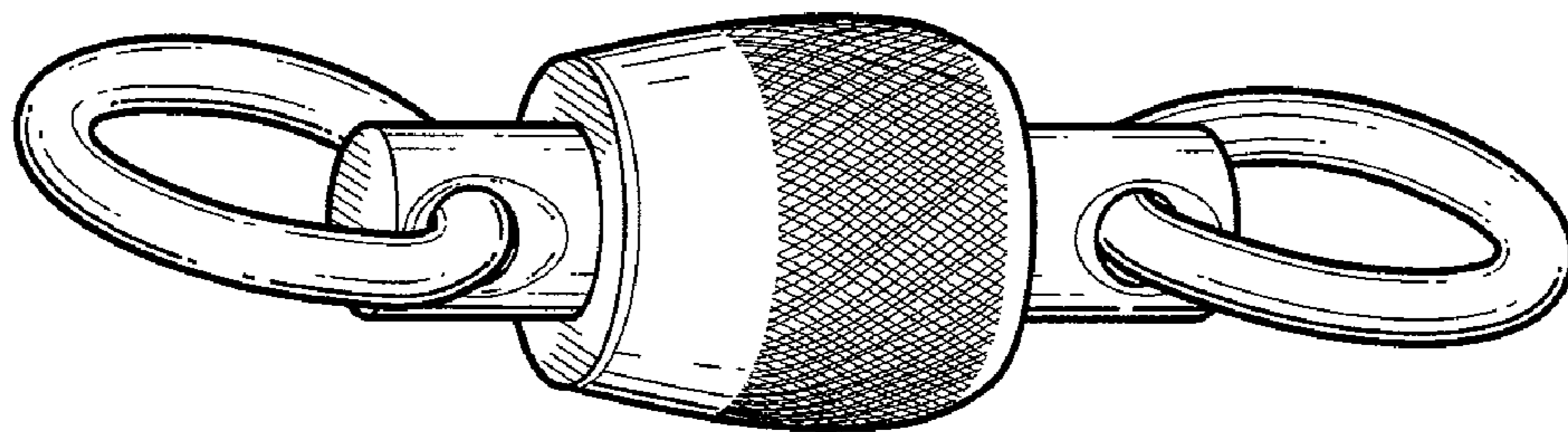


FIG. 2

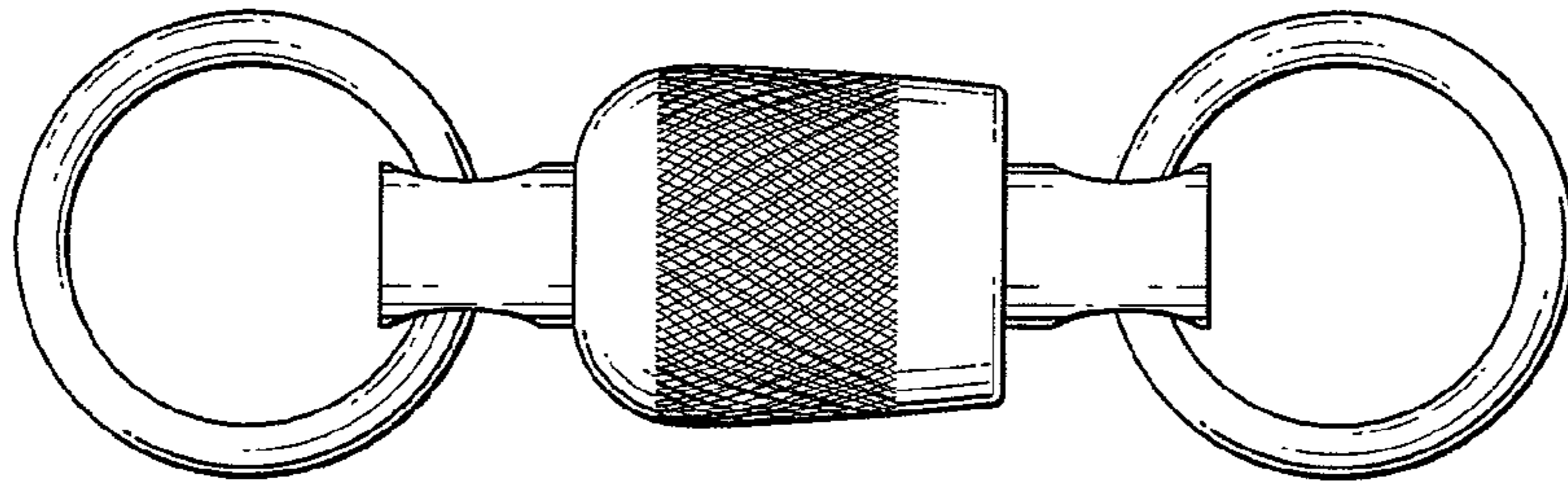


FIG. 3

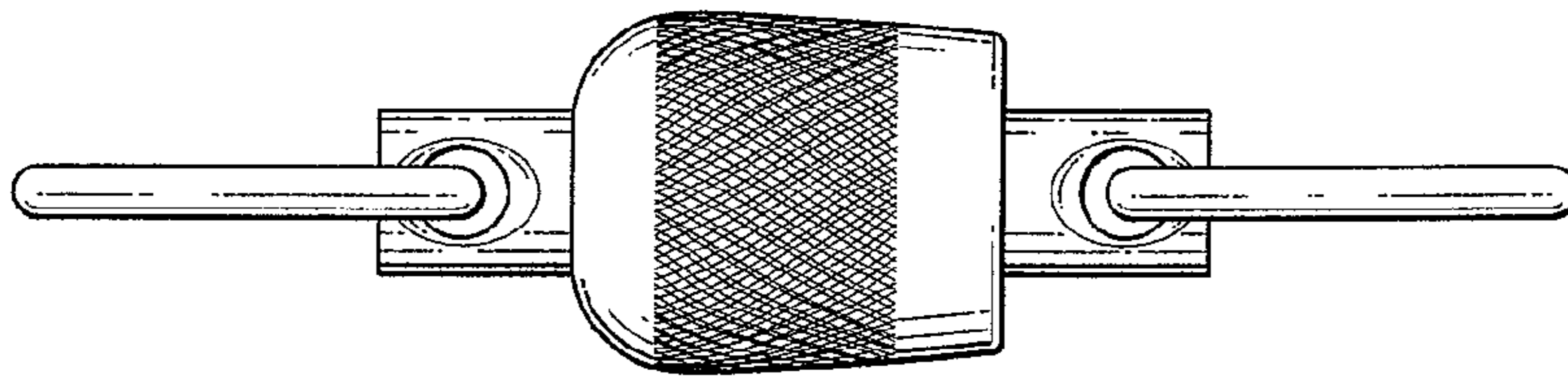


FIG. 4

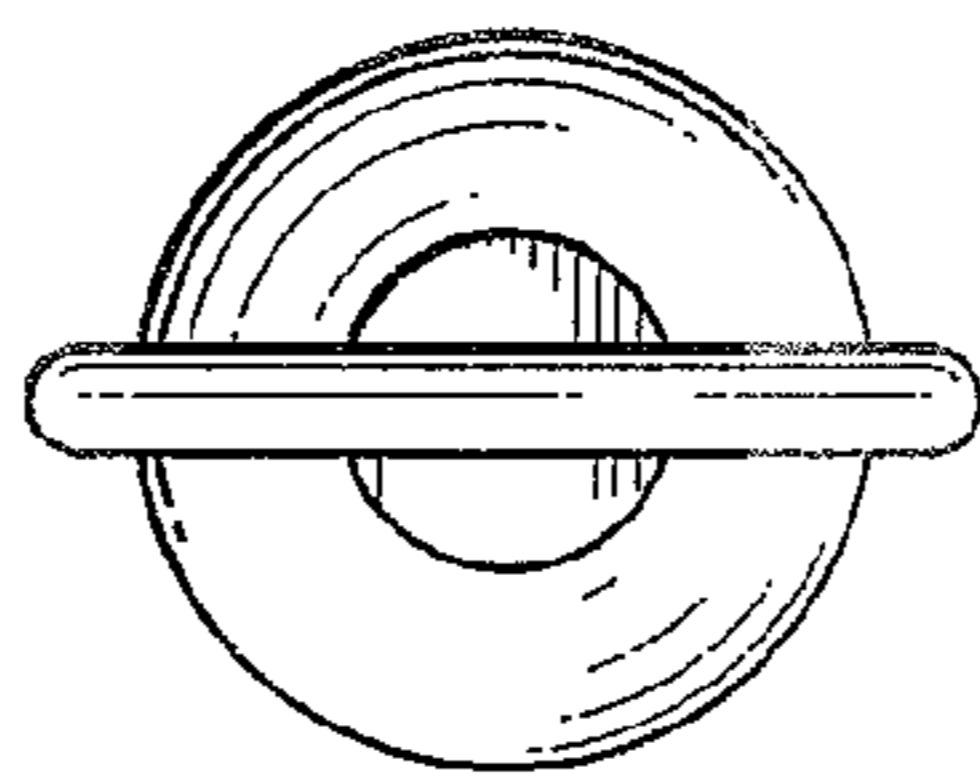


FIG. 5

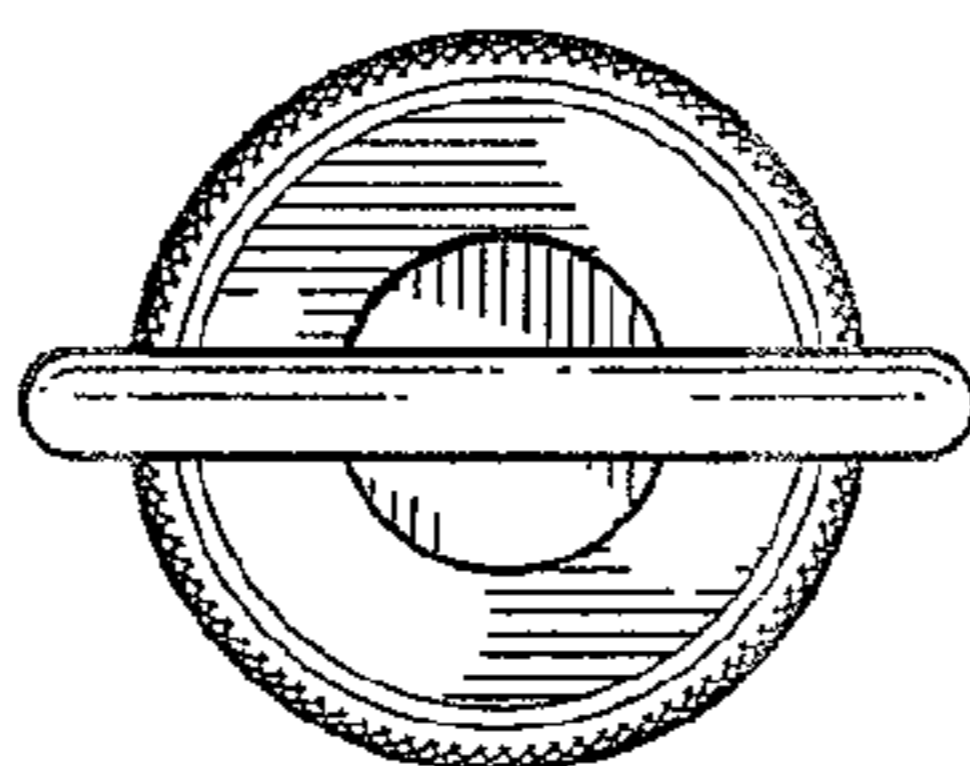


FIG. 6