



US00D645929S

(12) **United States Design Patent**  
**Warren**

(10) **Patent No.:** **US D645,929 S**

(45) **Date of Patent:** **\*\* Sep. 27, 2011**

(54) **SHELTER**

(75) Inventor: **Marshel A. Warren**, Loveland, CO (US)

(73) Assignee: **Shady Shelters, LLC**, Loveland, CO (US)

(\*\*) Term: **14 Years**

(21) Appl. No.: **29/354,541**

(22) Filed: **Jan. 26, 2010**

(51) **LOC (9) Cl.** ..... **21-04**

(52) **U.S. Cl.** ..... **D21/837**

(58) **Field of Classification Search** ..... D25/1,  
D25/16, 18-19, 32, 56-57, 199; D21/834,  
D21/836, 837, 838, 839; 135/87, 90, 95,  
135/115, 125-126, 128, 900, 903-904  
See application file for complete search history.

(56) **References Cited**

**U.S. PATENT DOCUMENTS**

D577,092 S \* 9/2008 West ..... D21/837  
D578,597 S \* 10/2008 Dalland et al. .... D21/837

D625,025 S \* 10/2010 Colmore-Williams ..... D25/56  
D633,976 S \* 3/2011 Corradi et al. .... D21/837  
D638,954 S \* 5/2011 Nichols ..... D25/1

\* cited by examiner

*Primary Examiner* — Lisa Lichtenstein

(74) *Attorney, Agent, or Firm* — William W. Cochran;  
Cochran Freund & Young LLC

(57) **CLAIM**

The ornamental design for a shelter, as shown and described.

**DESCRIPTION**

FIG. 1 is an isometric view of a shelter showing our new design.

FIG. 2 is a rear view thereof.

FIG. 3 is a front view thereof.

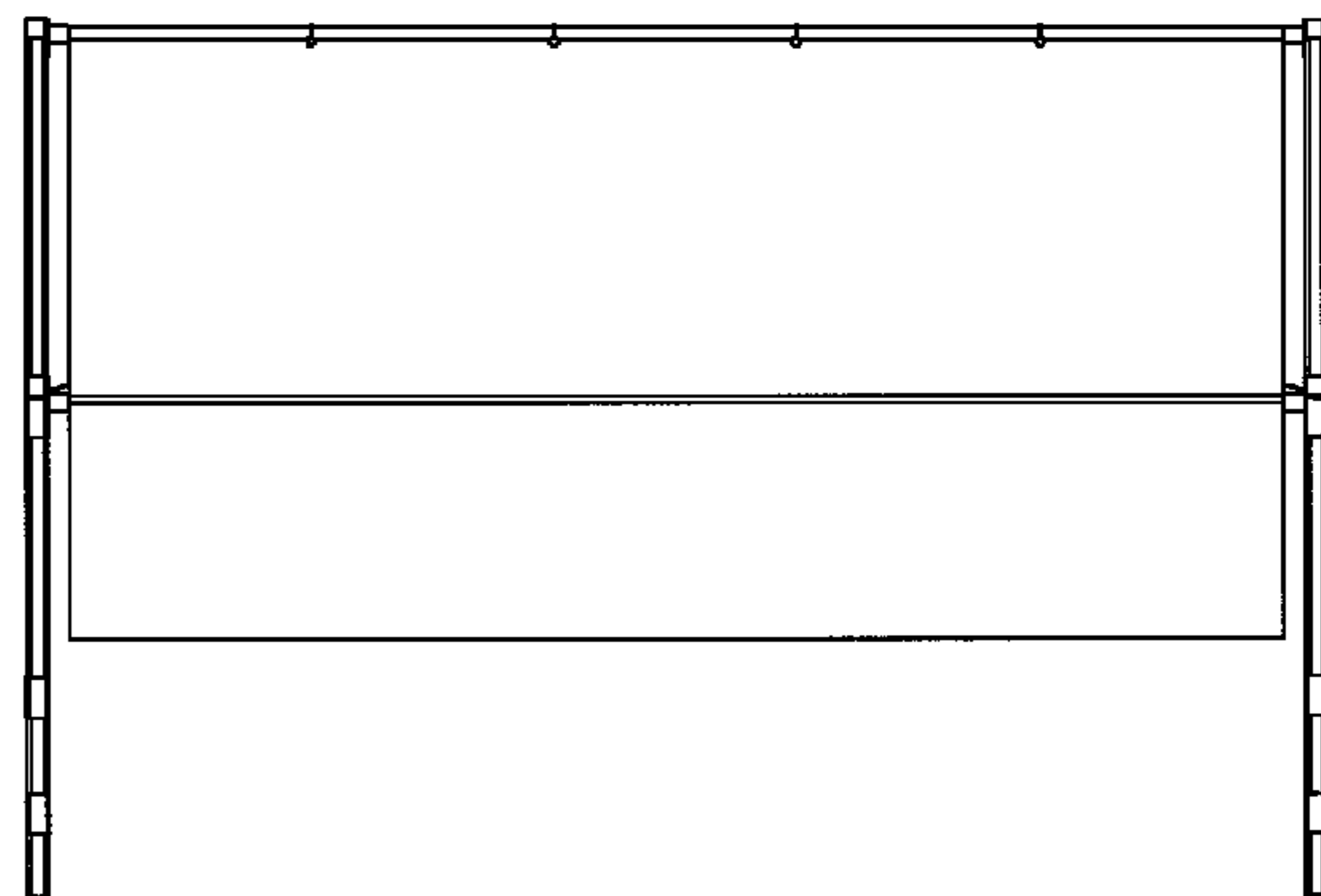
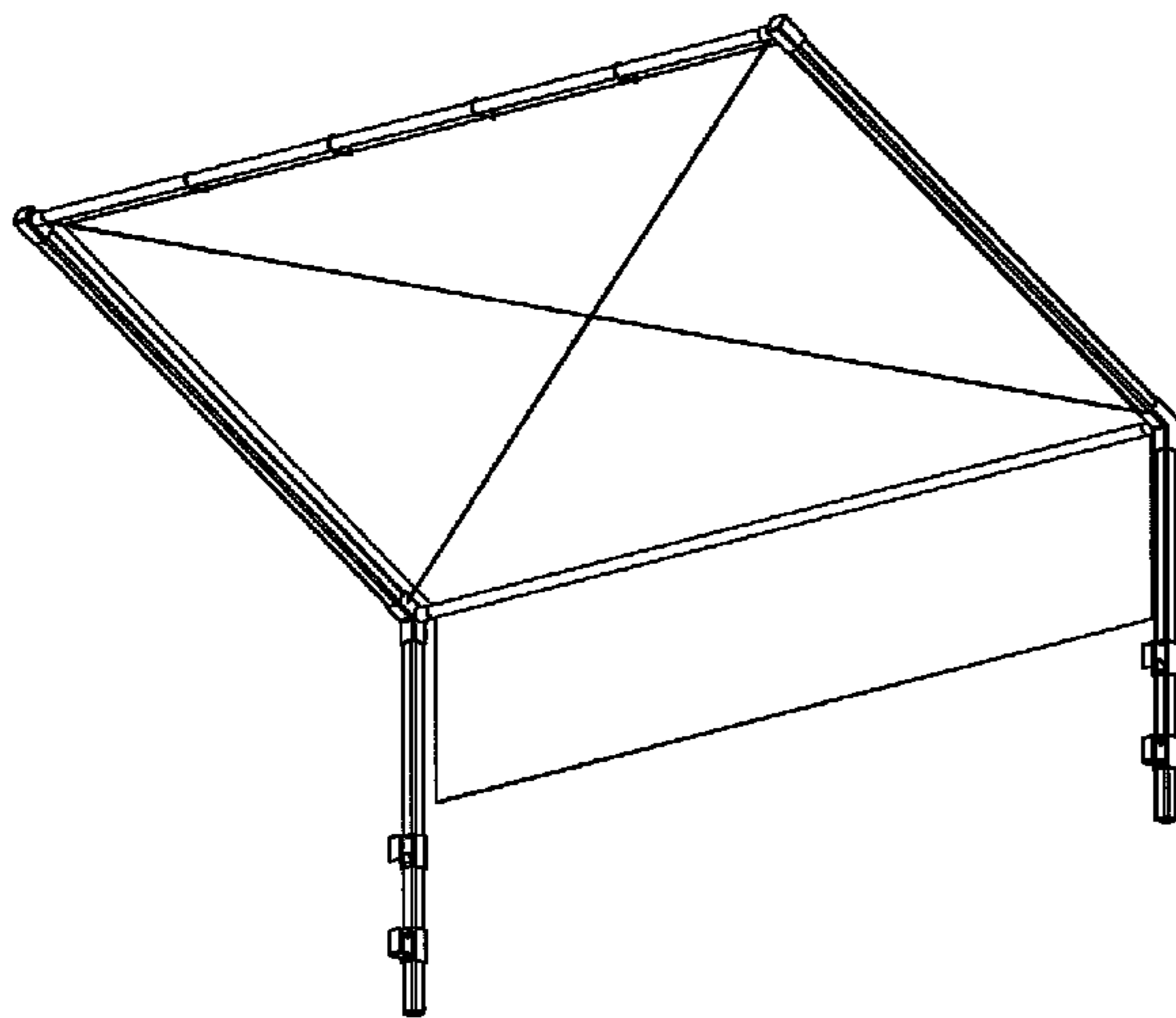
FIG. 4 is a right side view thereof.

FIG. 5 is a left side view thereof.

FIG. 6 is a bottom view thereof; and,

FIG. 7 is a top view thereof.

**1 Claim, 7 Drawing Sheets**



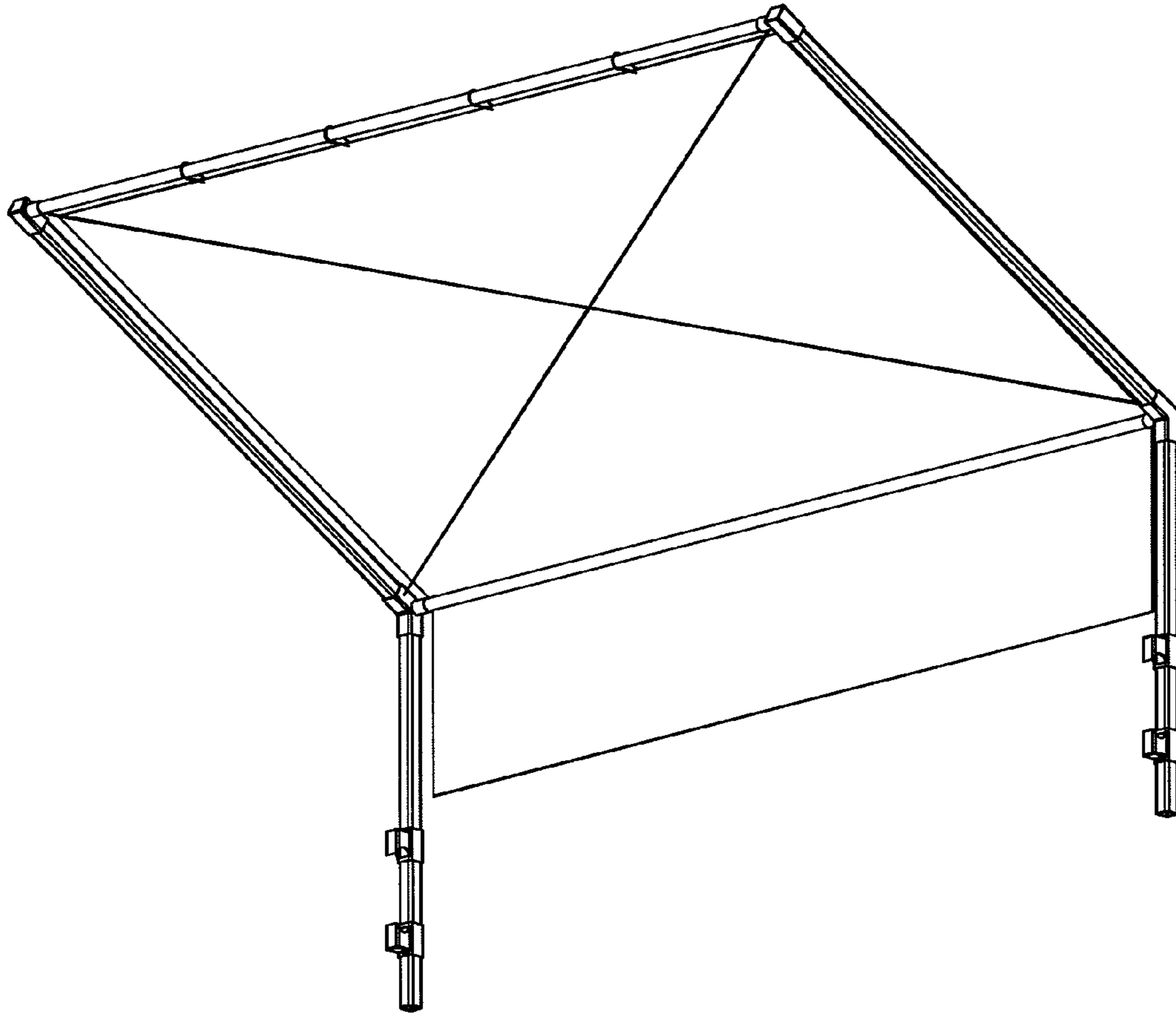


Fig. 1

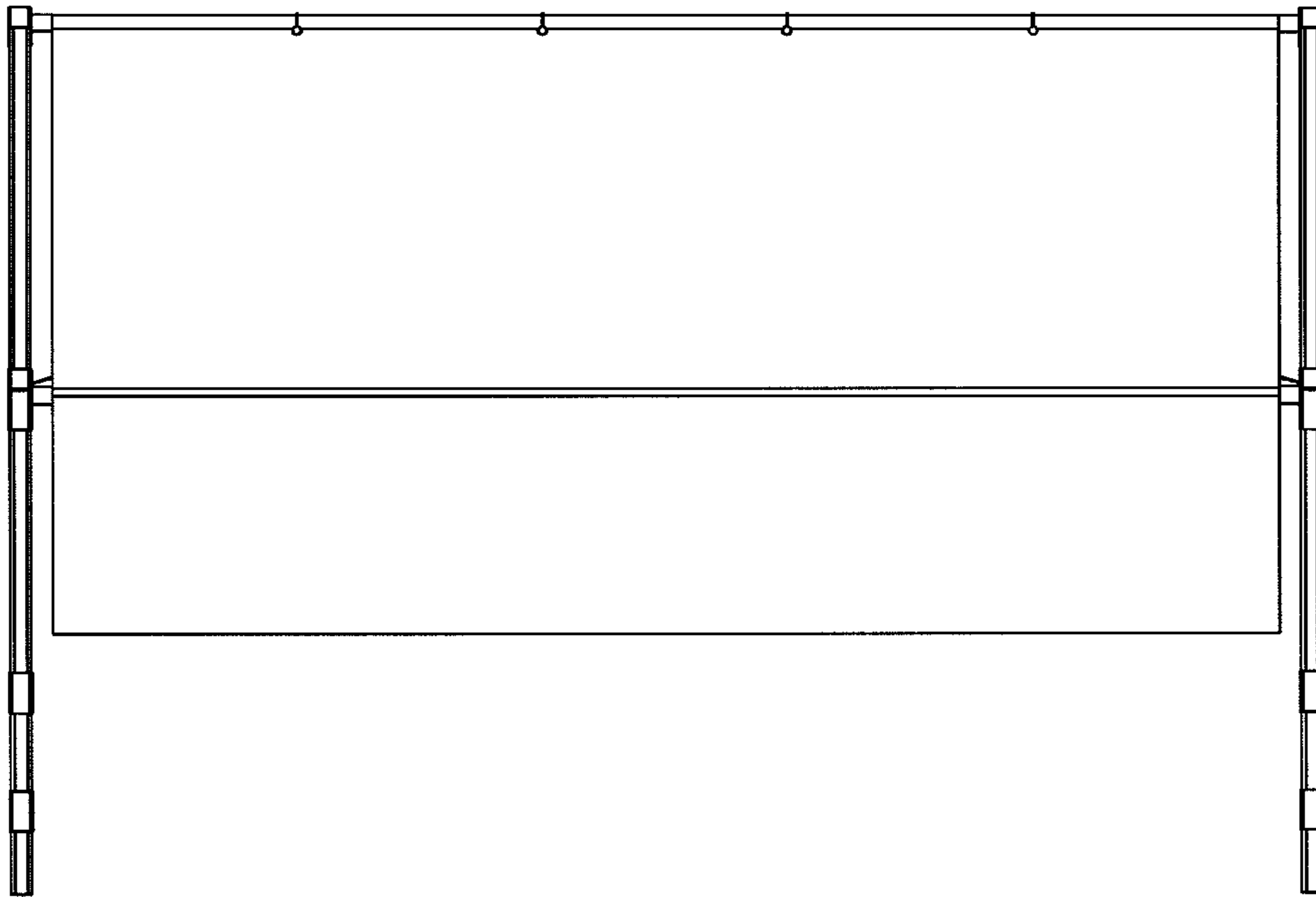


Fig. 2

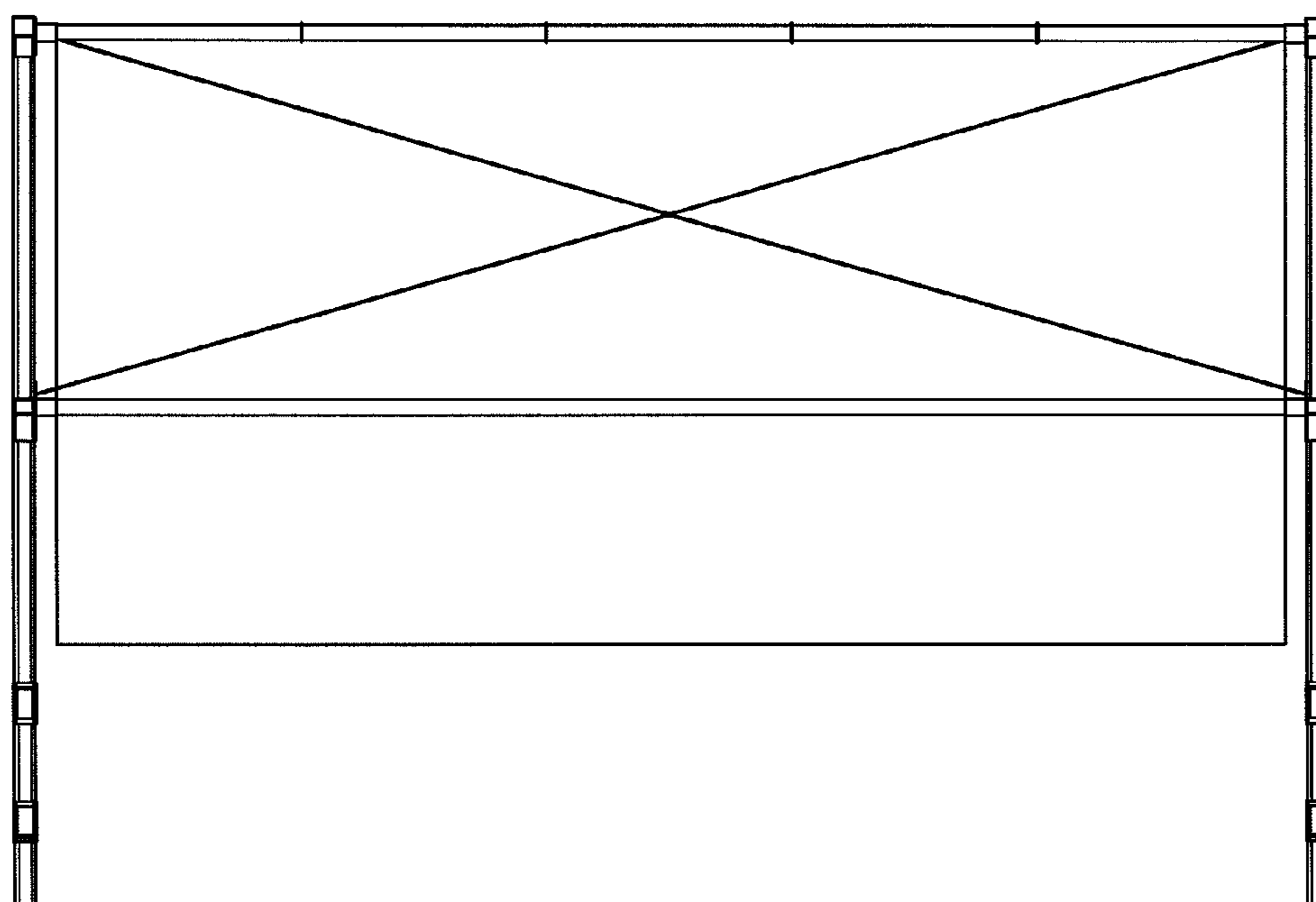


Fig. 3

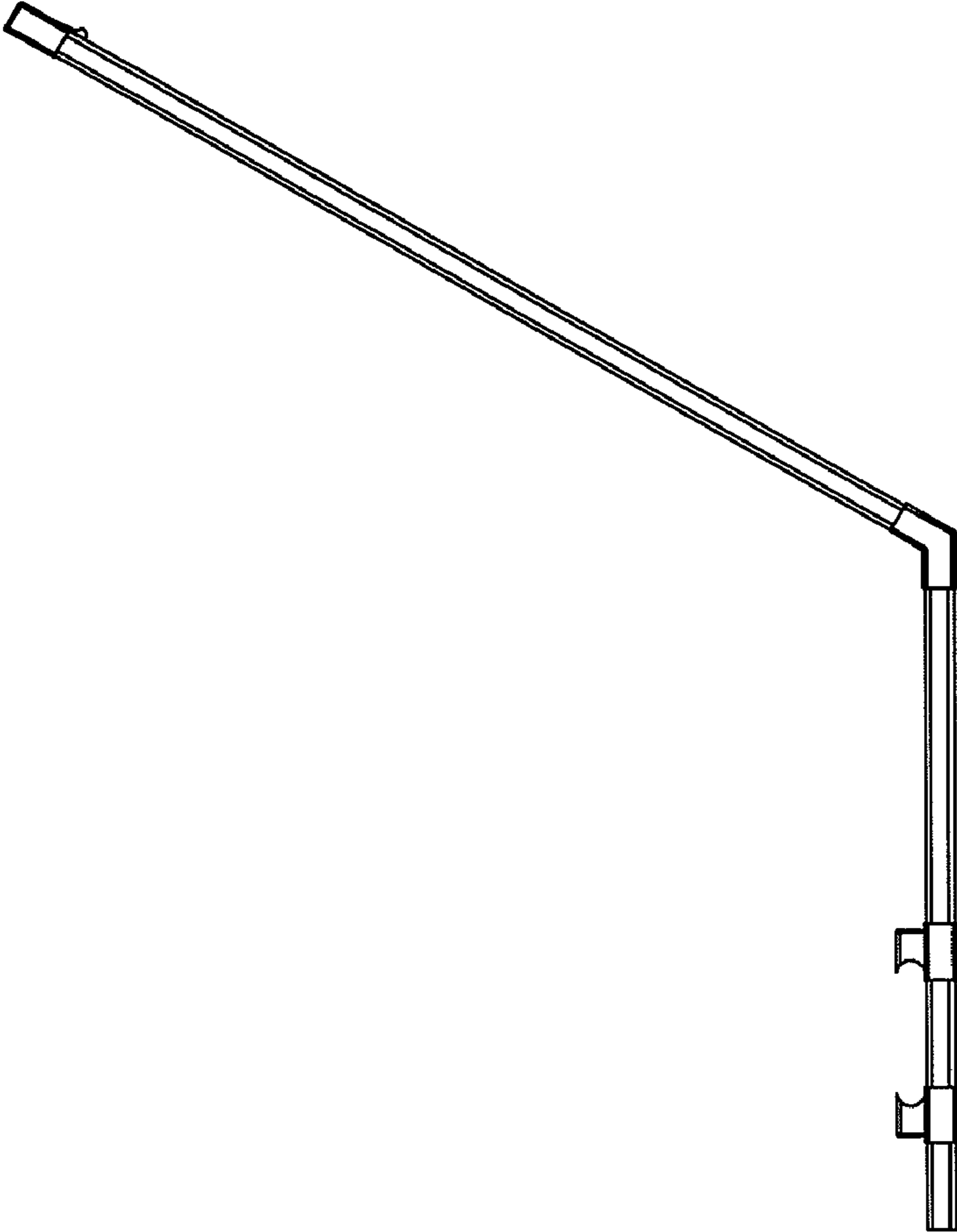


Fig. 4

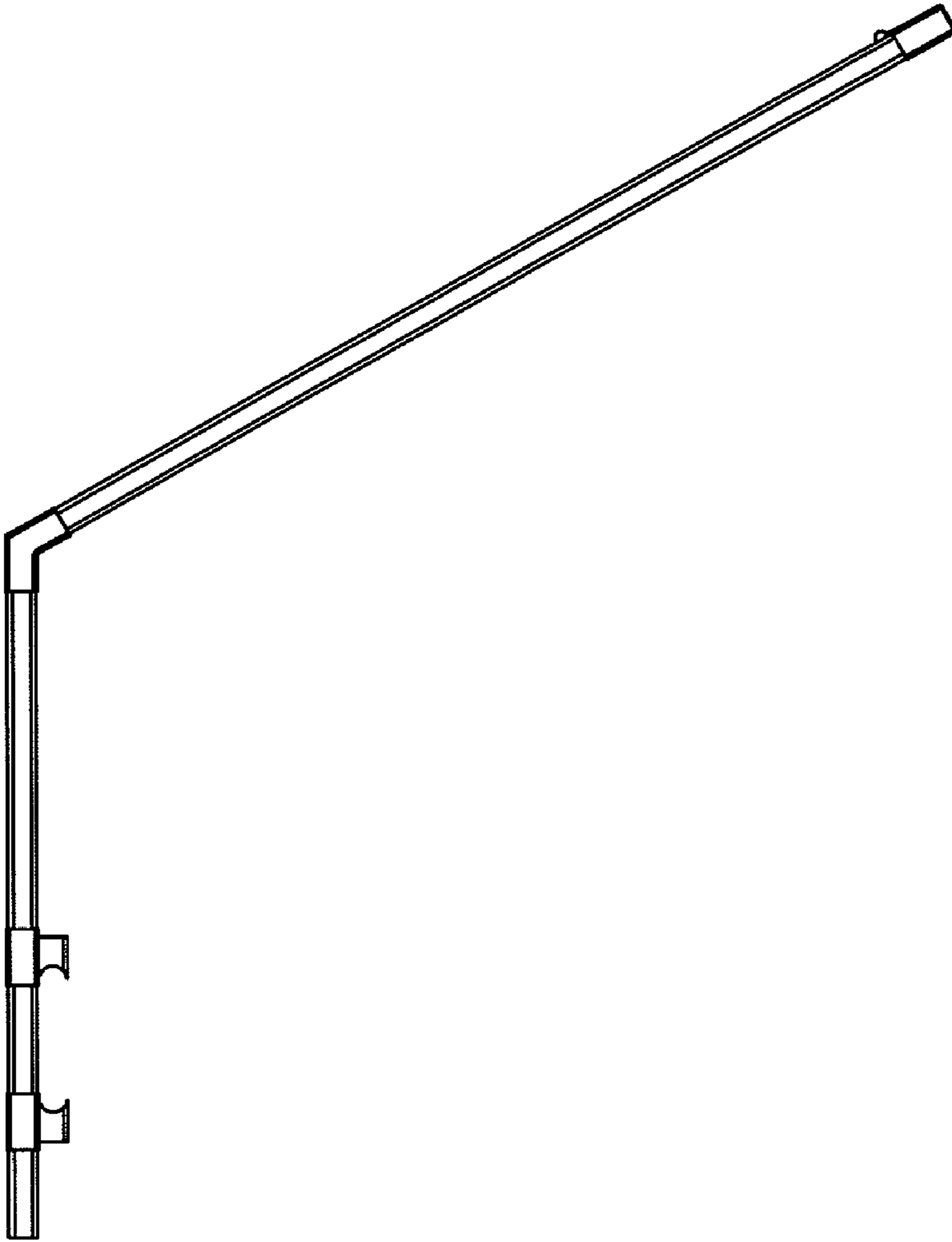


Fig. 5

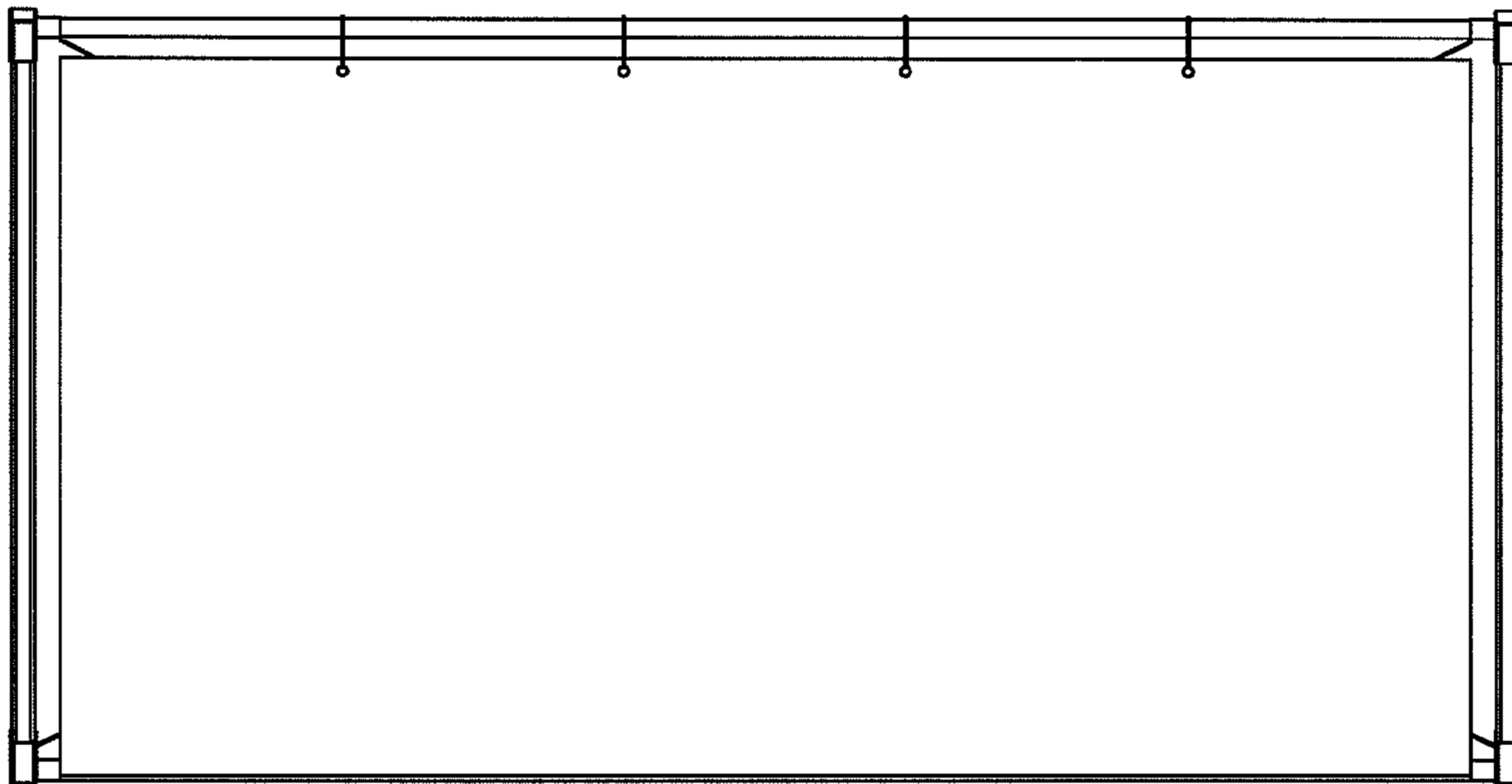


Fig. 6

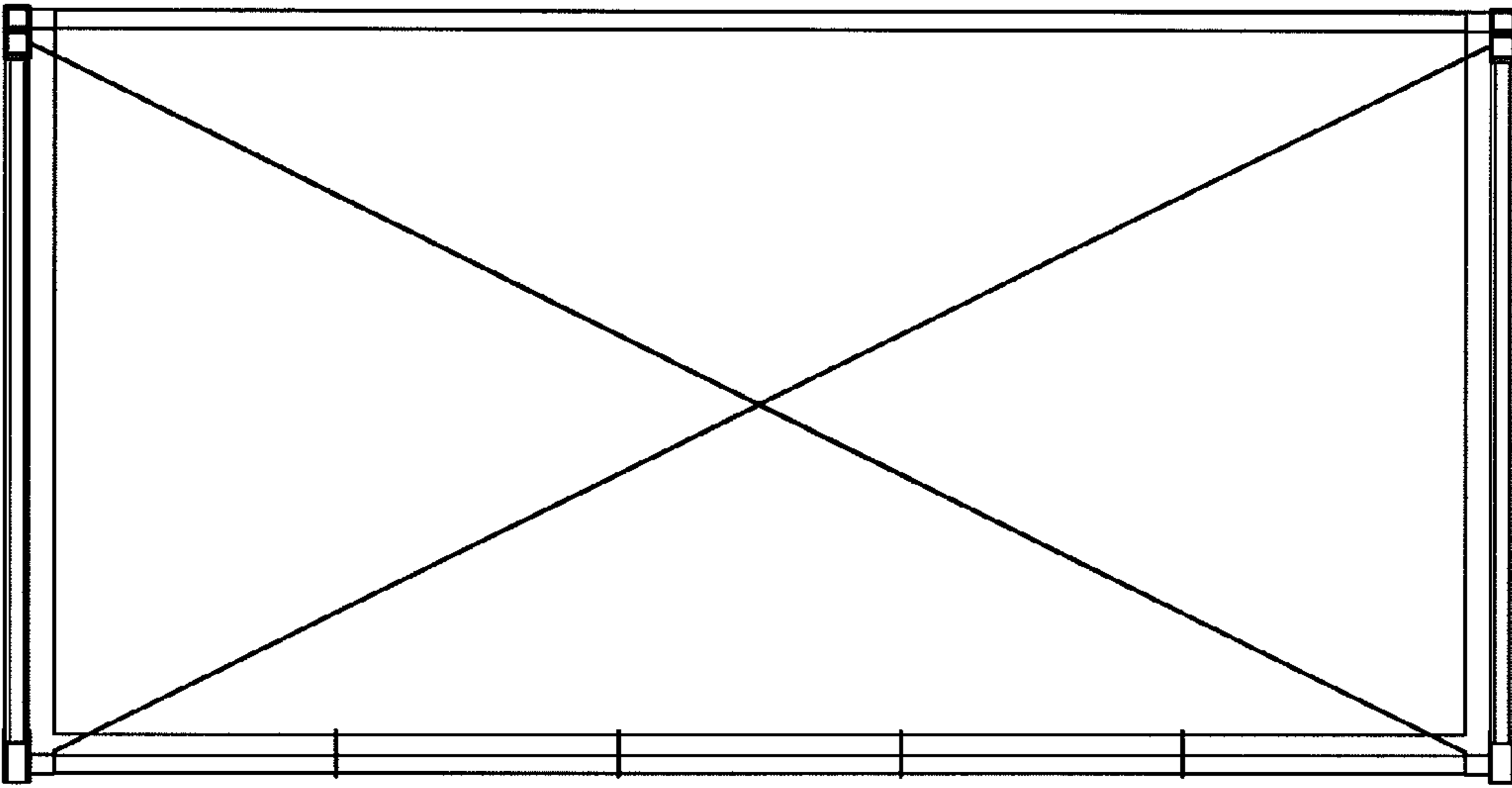


Fig. 7