



US00D645928S

(12) **United States Design Patent**  
**Huang**

(10) **Patent No.:** **US D645,928 S**

(45) **Date of Patent:** **\*\* Sep. 27, 2011**

(54) **MULTI-PURPOSE GOLF BOX**

(76) Inventor: **Yu-Sung Huang**, Bade (TW)

(\*\*) Term: **14 Years**

(21) Appl. No.: **29/379,189**

(22) Filed: **Nov. 16, 2010**

(51) **LOC (9) Cl.** ..... **21-02**

(52) **U.S. Cl.** ..... **D21/796**

(58) **Field of Classification Search** ..... D21/789,  
D21/796; D3/221, 224, 257; 206/315.9;  
224/250; 473/405

See application file for complete search history.

(56) **References Cited**

**U.S. PATENT DOCUMENTS**

D212,020	S	*	8/1968	Najjar	.....	D3/221
4,106,678	A	*	8/1978	Thomas	.....	D3/224
D254,940	S	*	5/1980	Thomas	.....	D3/221
4,730,728	A	*	3/1988	Larkin	.....	206/315.9
D405,860	S	*	2/1999	Hargrove	.....	D21/796
D411,603	S	*	6/1999	Duran	.....	D21/796
D414,538	S	*	9/1999	Harrison	.....	D21/796
6,003,747	A	*	12/1999	Lee	.....	224/250
6,168,061	B1	*	1/2001	Harrison	.....	D3/257

D448,555	S	*	10/2001	deLong	.....	D3/221
D486,636	S	*	2/2004	Rudeen et al.	.....	D3/221
6,808,095	B2	*	10/2004	Hurtgam	.....	473/405
D514,647	S	*	2/2006	Mora et al.	.....	D21/796
D530,769	S	*	10/2006	Blau	.....	D21/796
D533,249	S	*	12/2006	Clark	.....	D21/796
D592,725	S	*	5/2009	Trudeau	.....	D21/796
D610,644	S	*	2/2010	Song	.....	D21/796

\* cited by examiner

*Primary Examiner* — Mitchell Siegel

(74) *Attorney, Agent, or Firm* — Rosenberg, Klein & Lee

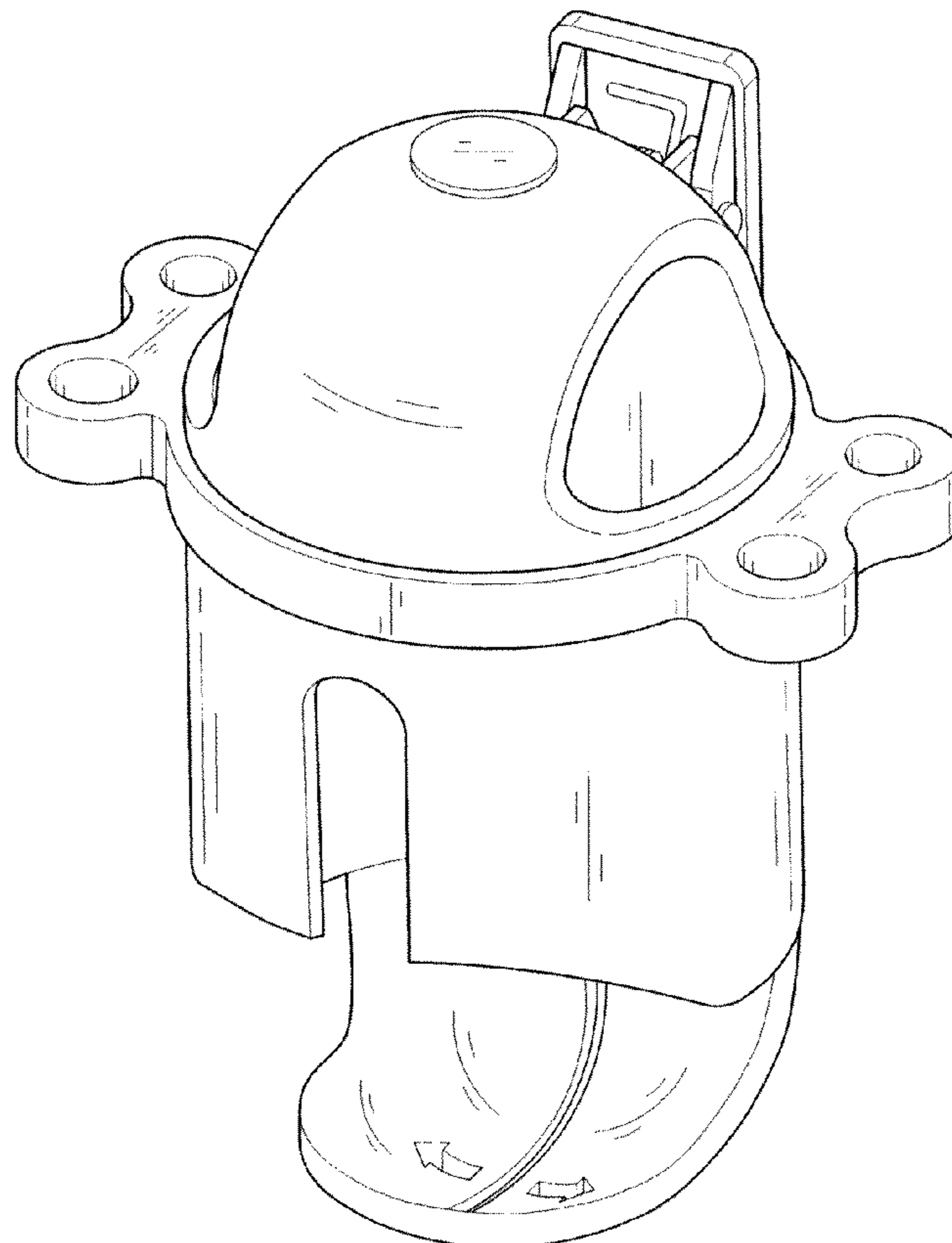
(57) **CLAIM**

The ornamental design for a multi-purpose golf box, as shown and described.

**DESCRIPTION**

FIG. 1 is a perspective view of a multi-purpose golf box showing my new design;  
FIG. 2 is a front elevational view thereof;  
FIG. 3 is a rear elevational view thereof;  
FIG. 4 is a right side elevational view thereof; the opposite side being a mirror image of the shown;  
FIG. 5 is a top plan view thereof; and,  
FIG. 6 is a bottom plan view thereof.

**1 Claim, 6 Drawing Sheets**



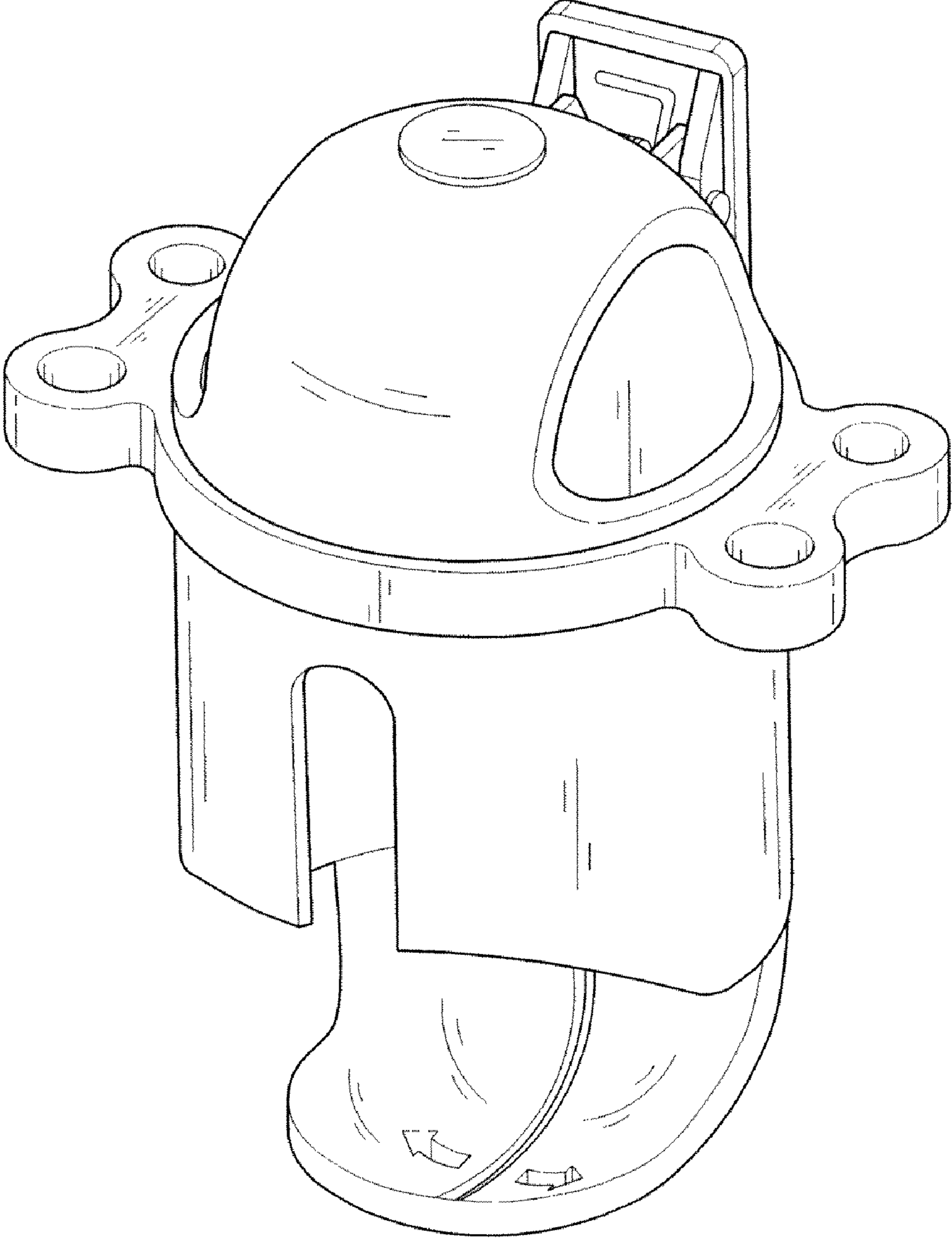


FIG. 1

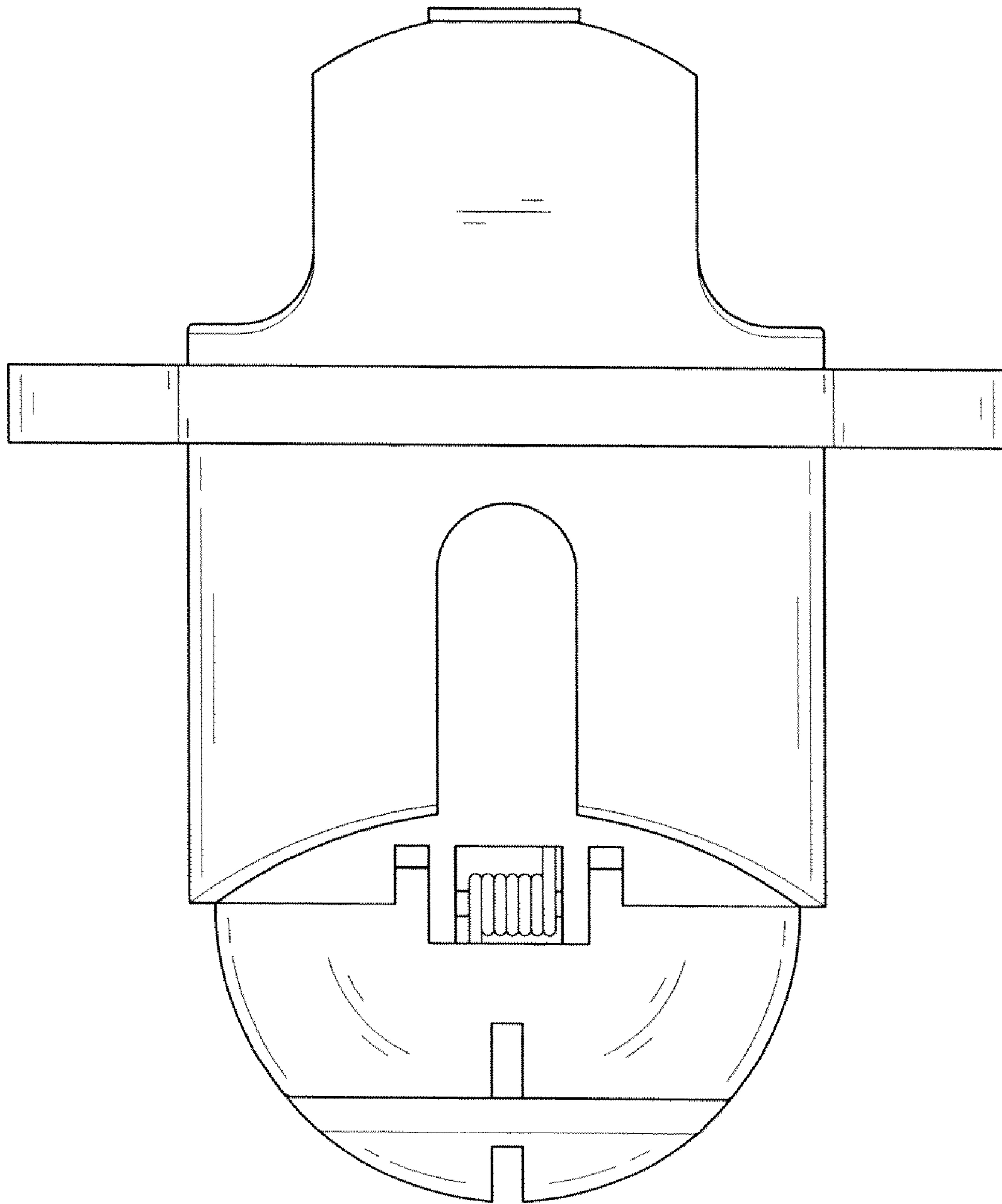


FIG. 2

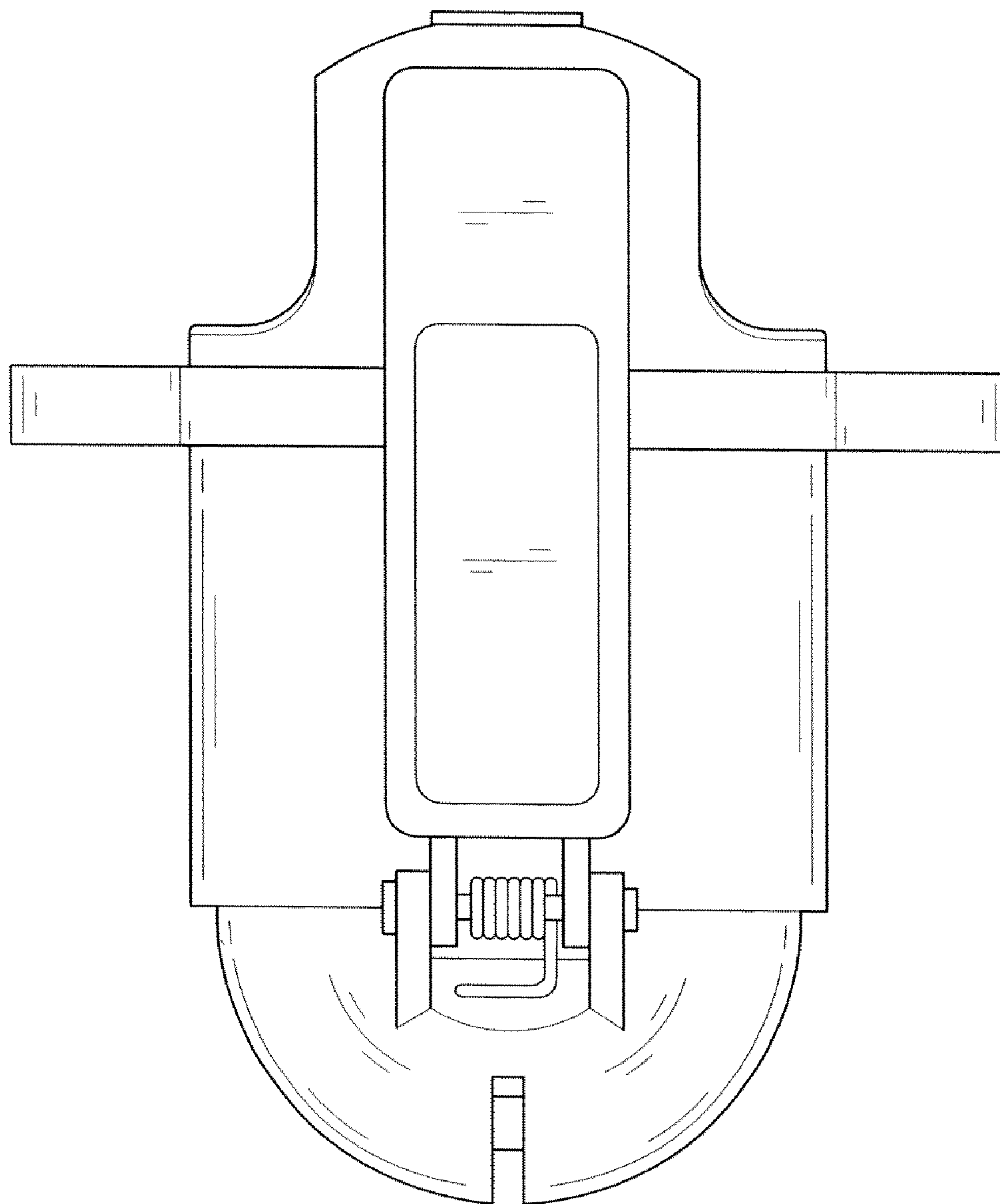


FIG. 3

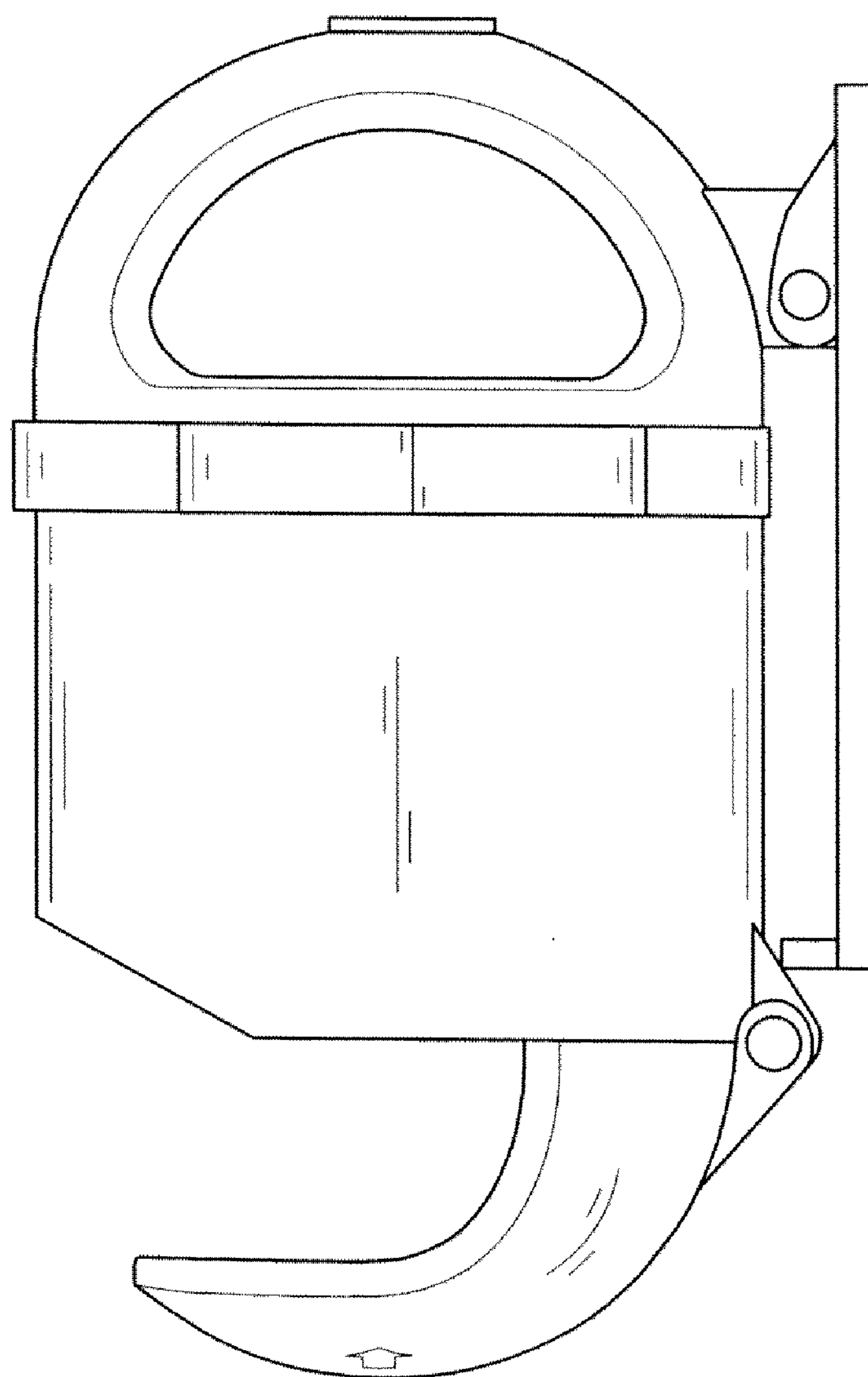


FIG. 4



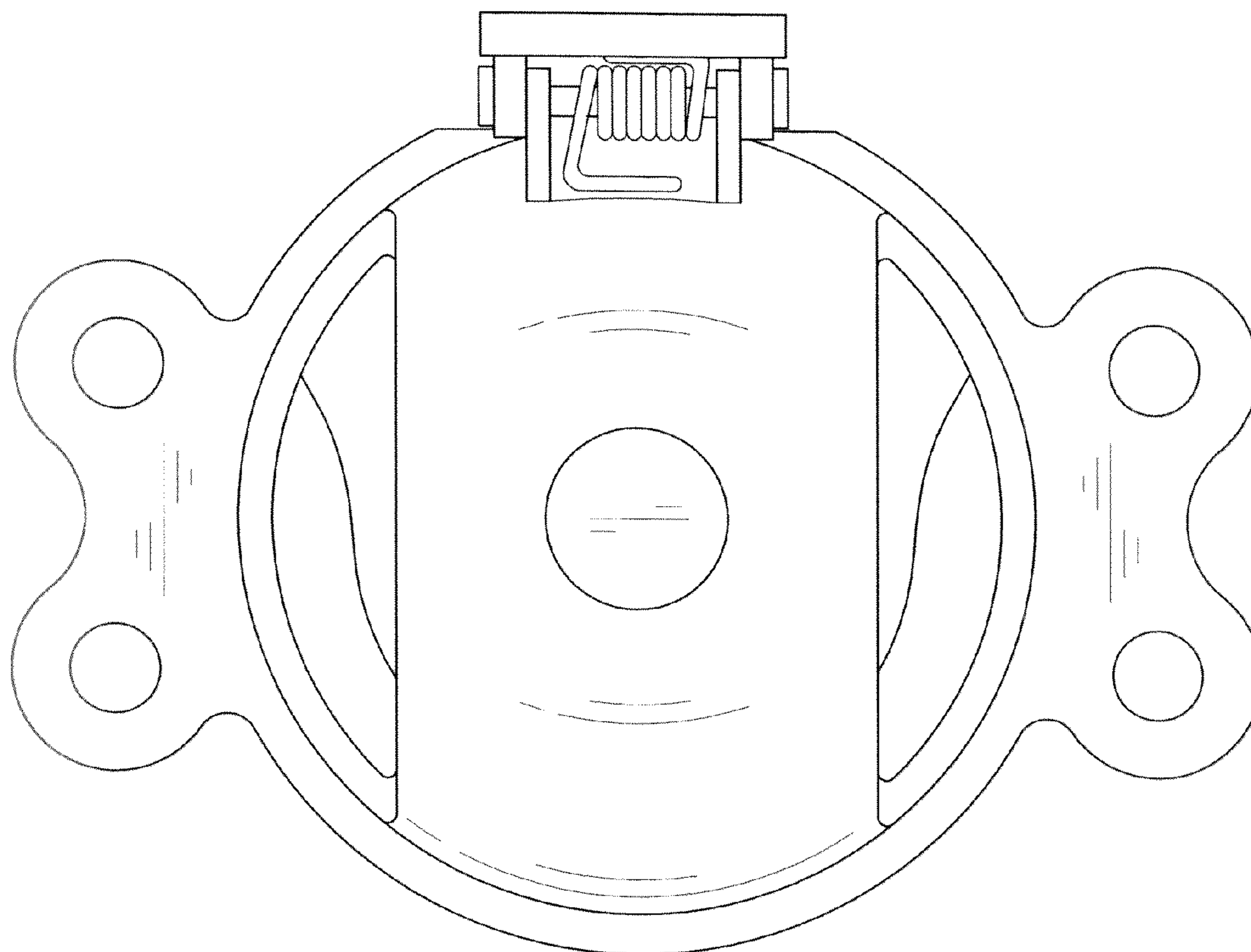


FIG. 5

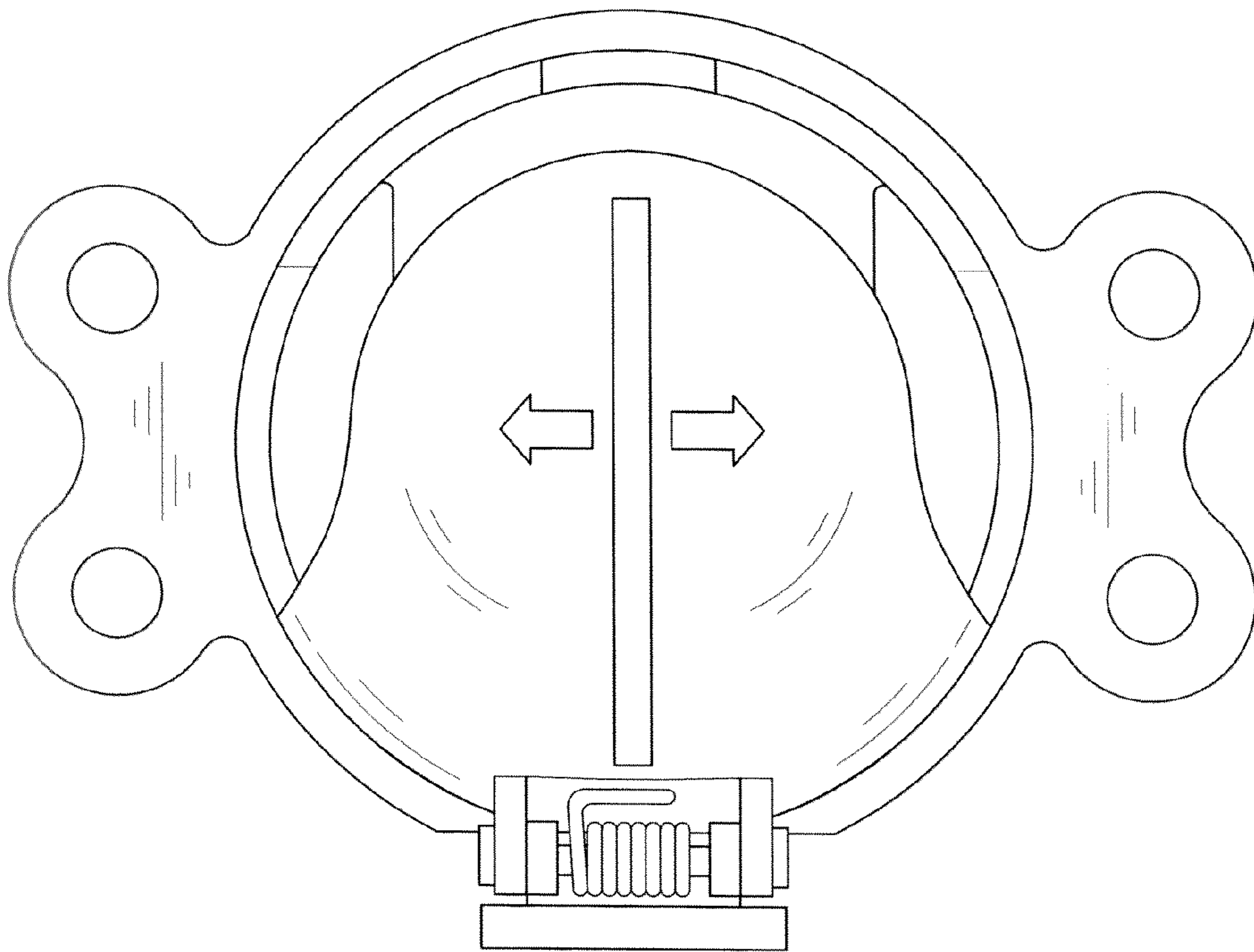


FIG. 6