



US00D645926S

(12) **United States Design Patent**
Rydquist

(10) **Patent No.:** **US D645,926 S**

(45) **Date of Patent:** **** Sep. 27, 2011**

(54) **BILLIARD CUE SUPPORT DEVICE AND /OR BRIDGE**

(75) Inventor: **Evan James Rydquist**, Lakewood, CO (US)

(73) Assignee: **Evan Rydquist**, Lakewood, CO (US)

(**) Term: **14 Years**

(21) Appl. No.: **29/354,952**

(22) Filed: **Jan. 31, 2010**

(51) **LOC (9) Cl.** **21-01**

(52) **U.S. Cl.** **D21/782**

(58) **Field of Classification Search** D21/782,
D21/783, 726, 385, 386; 473/40-43
See application file for complete search history.

(56) **References Cited**

U.S. PATENT DOCUMENTS

D44,005 S * 5/1913 Johnson D21/782
5,165,681 A * 11/1992 Enger et al. 473/36
D354,106 S * 1/1995 Thompson D21/726

5,449,325 A * 9/1995 Dransfield et al. 473/43
5,846,137 A * 12/1998 Tremblay 473/42
5,853,333 A * 12/1998 Patterson 473/42
5,954,589 A * 9/1999 Masters 473/42
6,267,685 B1 * 7/2001 Cannon 473/42
D486,193 S * 2/2004 Keller D21/726
D534,510 S * 1/2007 Kang et al. D14/128
D627,412 S * 11/2010 Bruce D21/782

* cited by examiner

Primary Examiner — Prabhakar Deshmukh

(57) **CLAIM**

The ornamental design for a billiard cue support device and/or bridge, as shown and described.

DESCRIPTION

FIG. 1 is a front perspective view of a billiard cue support device and/or bridge showing my new design; FIG. 2 is a front elevational view thereof; FIG. 3 is a left side elevational view thereof; FIG. 4 is a top plan view thereof; FIG. 5 is a bottom plan view thereof; and, FIG. 6 is a rear perspective view.

1 Claim, 2 Drawing Sheets

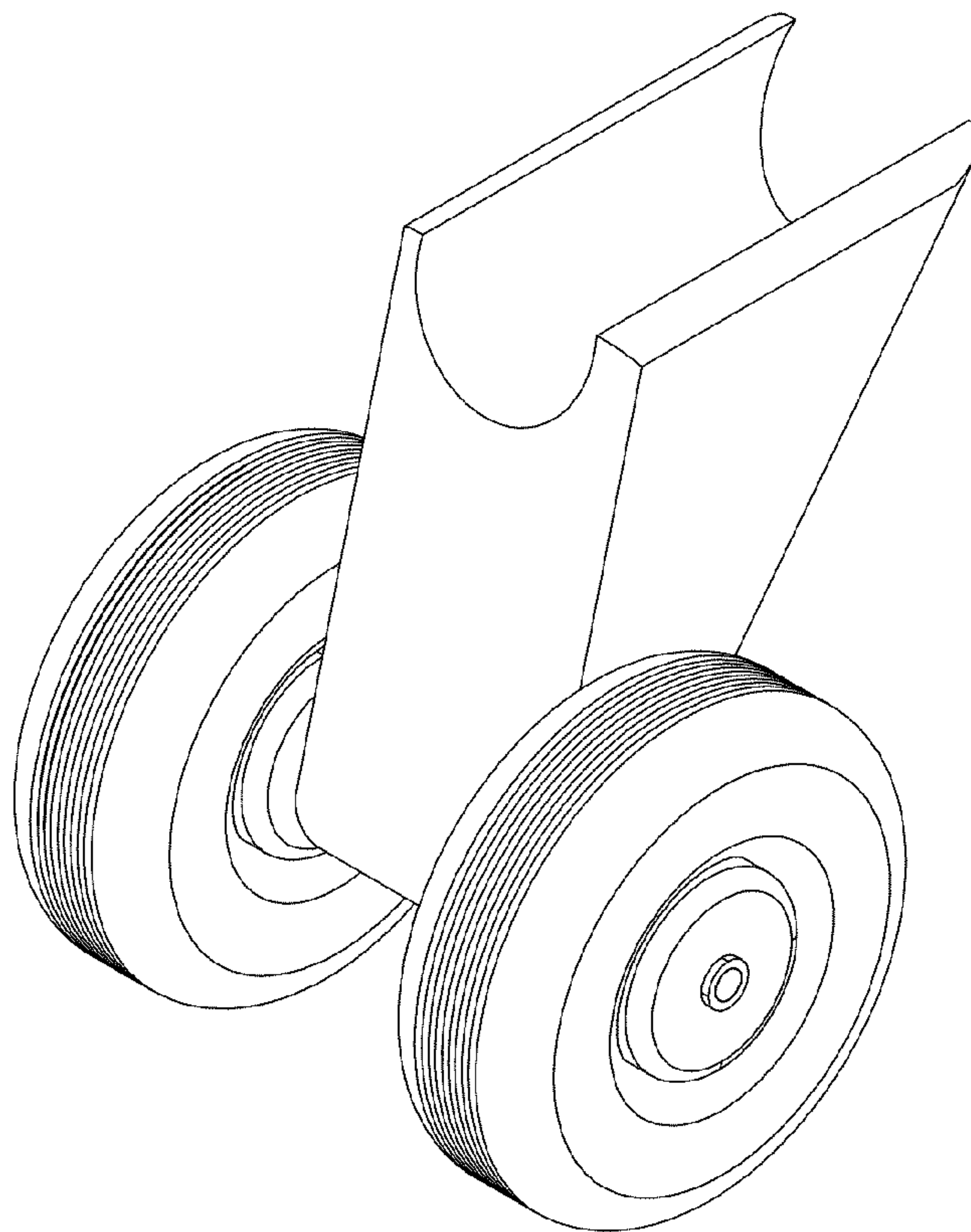


Fig. 1

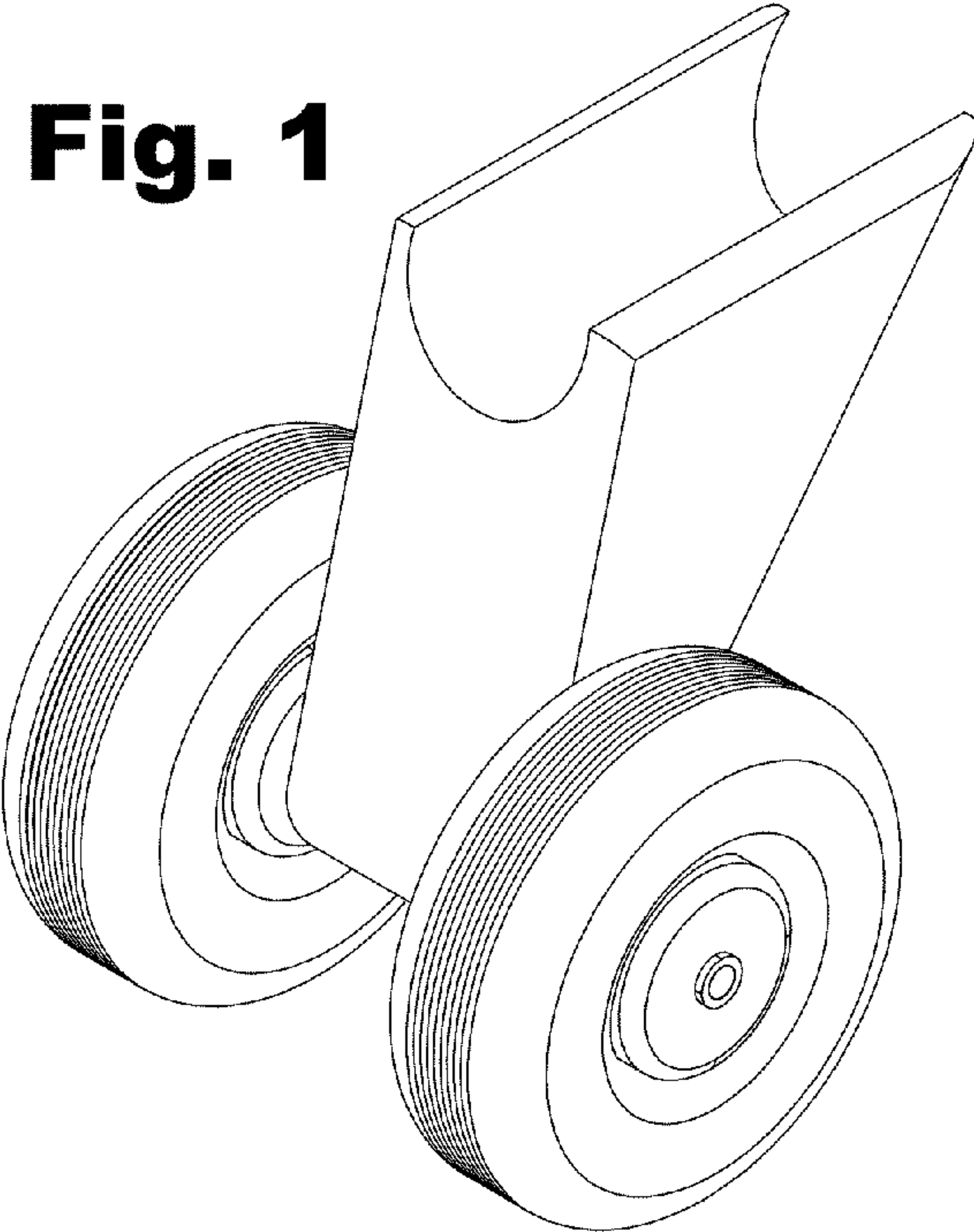


Fig.2

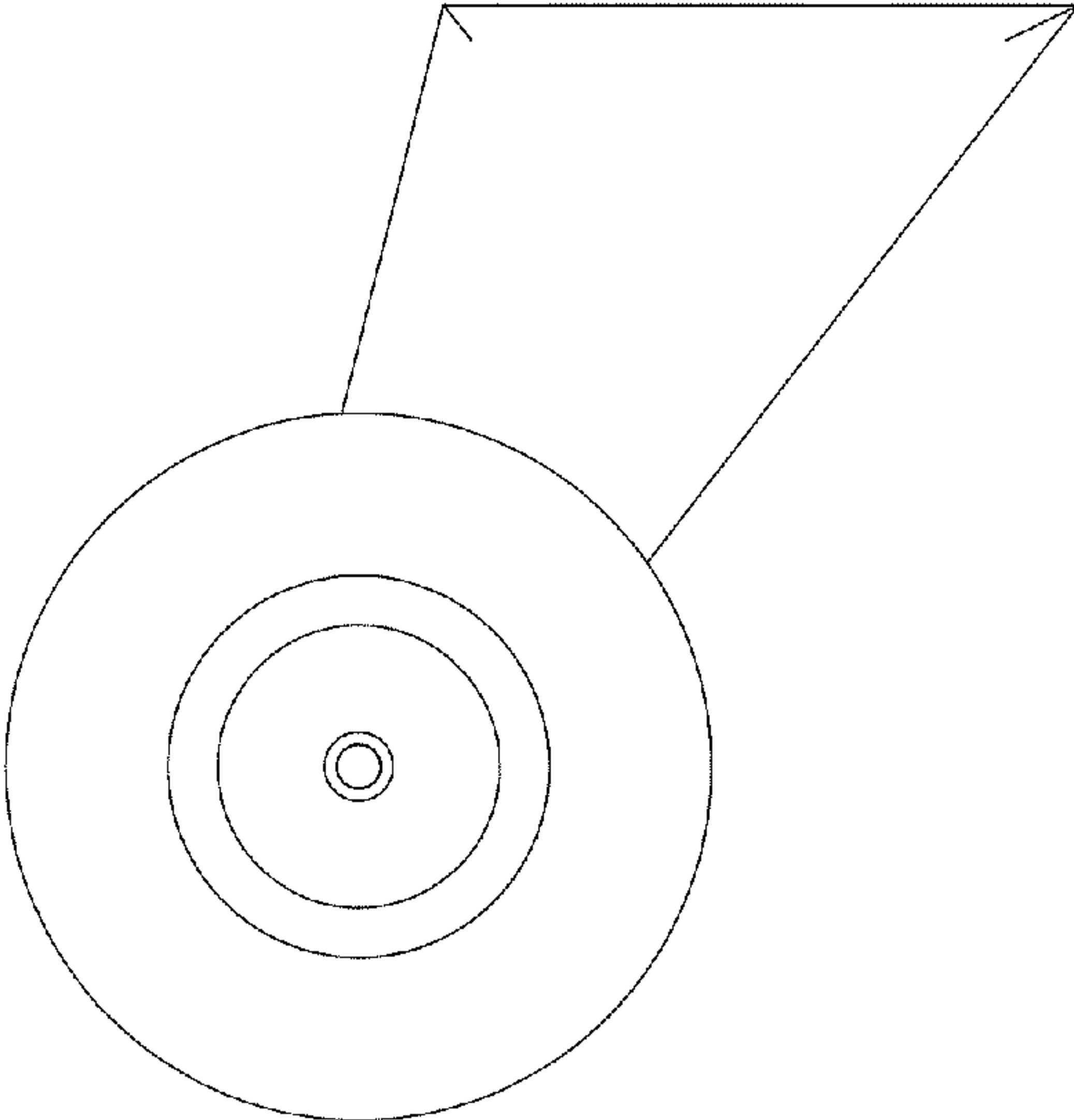


Fig.3

