



US00D645925S

(12) **United States Design Patent**  
**Sramek**

(10) **Patent No.:** **US D645,925 S**

(45) **Date of Patent:** **\*\* Sep. 27, 2011**

(54) **SKATEBOARD**

(75) Inventor: **Steve Sramek**, Long Beach, CA (US)

(73) Assignee: **Razor USA LLC**, Cerritos, CA (US)

(\*\*) Term: **14 Years**

(21) Appl. No.: **29/342,991**

(22) Filed: **Sep. 3, 2009**

(51) **LOC (9) Cl.** ..... **21-02**

(52) **U.S. Cl.** ..... **D21/765; D21/760**

(58) **Field of Classification Search** ..... D21/419,  
D21/421, 423, 426, 760, 765, 766, 769, 771,  
D21/776, 803; D12/1; 280/7.14, 11.115,  
280/11.19, 11.27, 11.28, 14.21, 87.01, 87.021,  
280/87.03, 87.041, 87.042, 607, 608, 609,  
280/809; 180/180, 181; 434/247, 253, 258  
See application file for complete search history.

(56) **References Cited**

**U.S. PATENT DOCUMENTS**

2,077,274	A *	4/1937	Silkman	.....	280/87.041
D214,252	S *	5/1969	Andersen	.....	D21/765
3,671,055	A *	6/1972	Aarup	.....	280/87.01
D257,536	S *	11/1980	Lukes	.....	D21/765
5,046,747	A *	9/1991	Nielsen, Jr.	.....	280/11.28
5,547,204	A *	8/1996	Gamzo	.....	280/11.19

D395,479	S *	6/1998	Gamzo	.....	D21/765
5,915,707	A *	6/1999	Steffen	.....	280/87.03
D421,282	S *	2/2000	Orr	.....	D21/765
6,302,415	B1 *	10/2001	Wang et al.	.....	280/87.041
D505,469	S *	5/2005	Joung et al.	.....	D21/765
2002/0158437	A1 *	10/2002	Carbonero	.....	280/87.041

\* cited by examiner

*Primary Examiner* — Cynthia M Chin

(74) *Attorney, Agent, or Firm* — Knobbe Martens Olson & Bear LLP

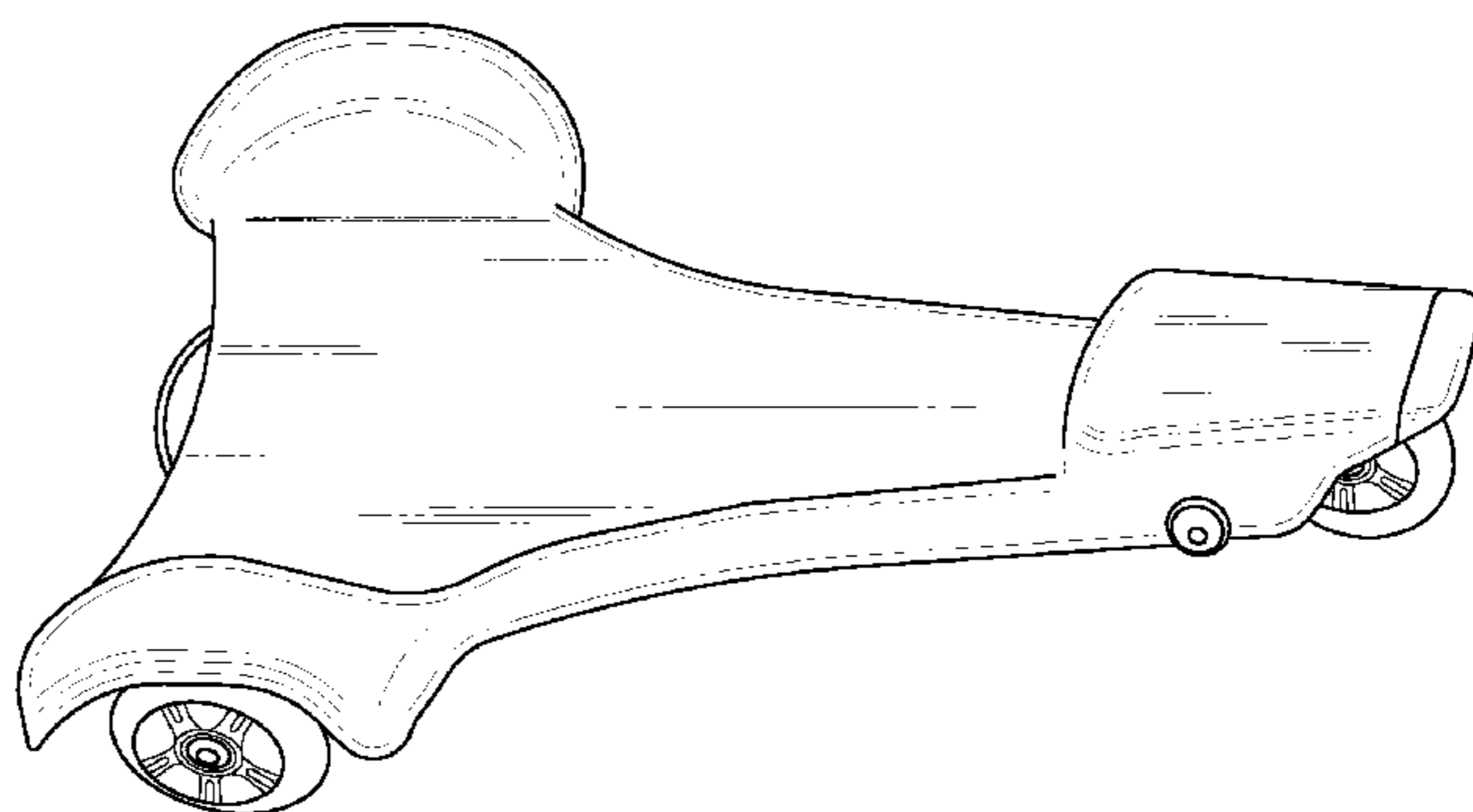
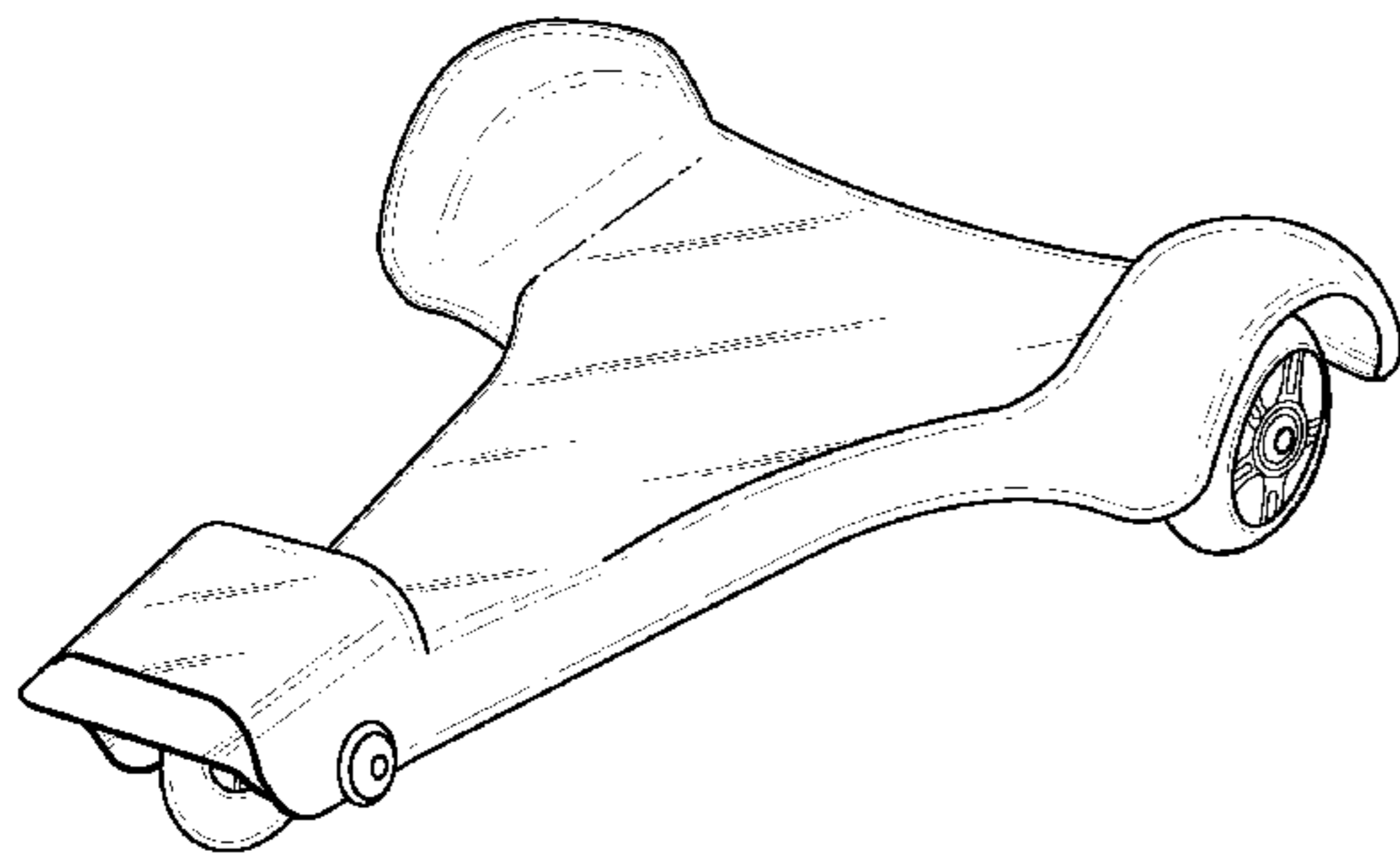
(57) **CLAIM**

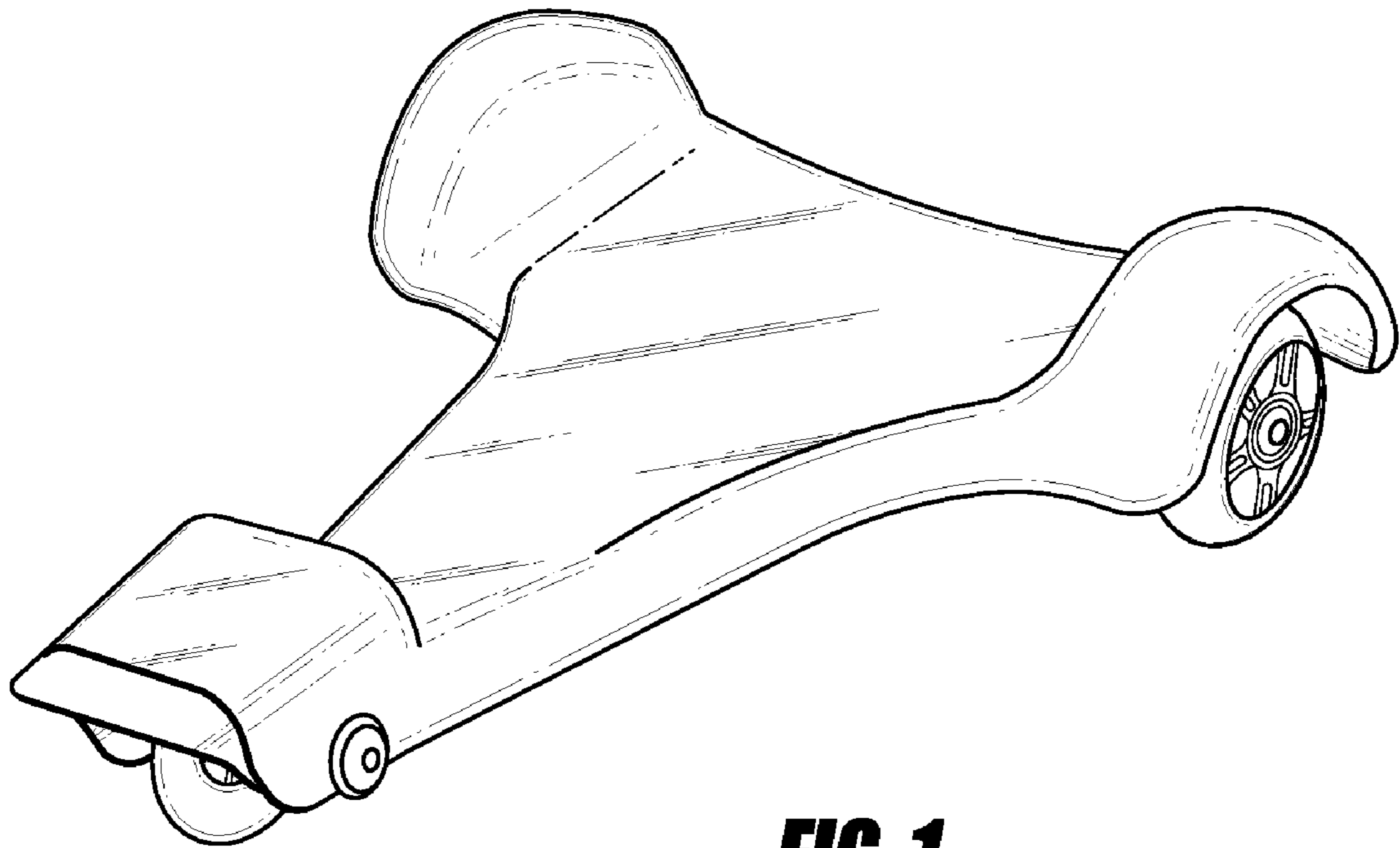
The ornamental design for a skateboard, as shown and described.

**DESCRIPTION**

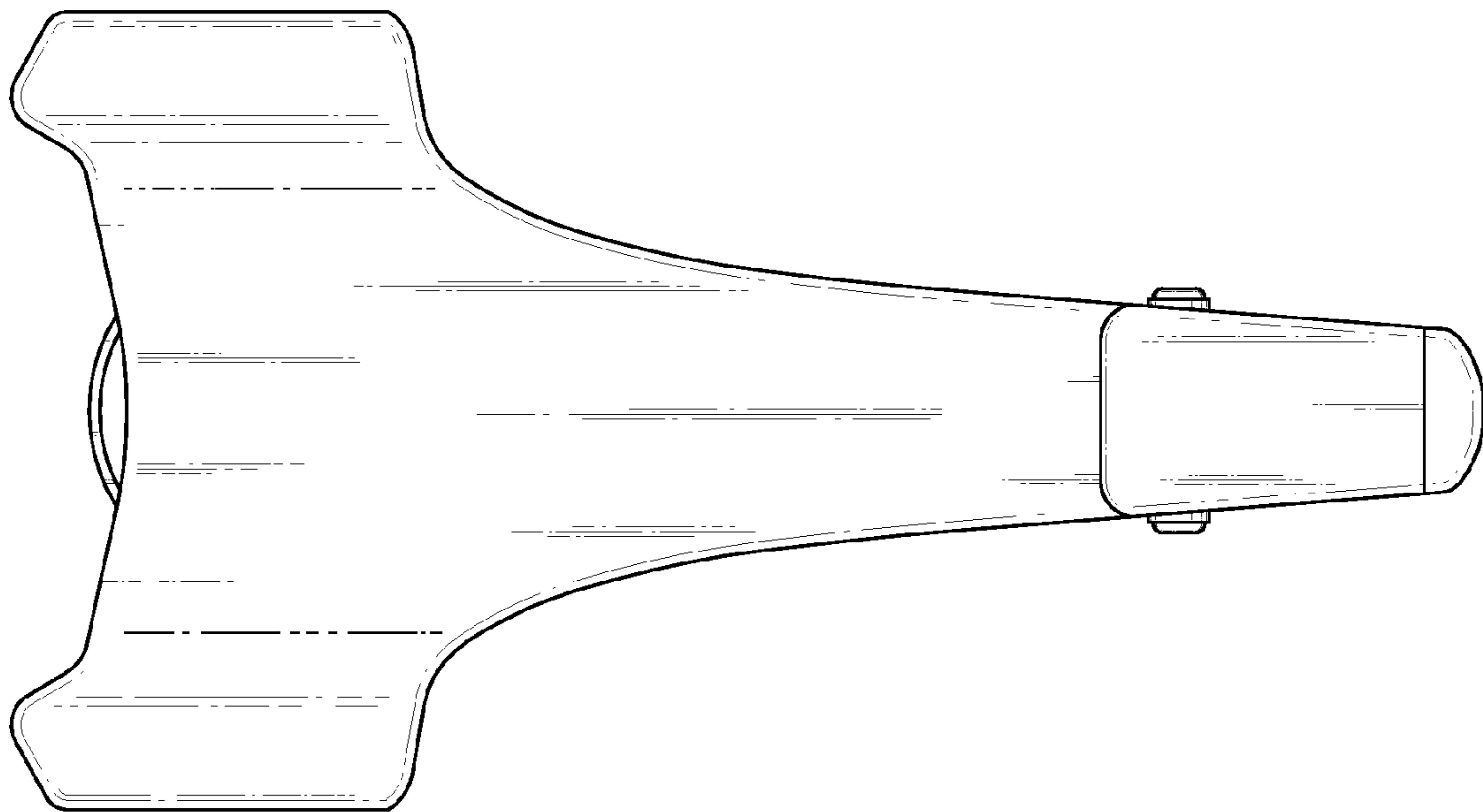
FIG. 1 is a rear perspective view showing the skateboard; FIG. 2 is a top view of the design of FIG. 1; FIG. 3 is a front view of the design of FIG. 1; FIG. 4 is a side view of the design of FIG. 1; FIG. 5 is a rear view of the design in FIG. 1; FIG. 6 is a bottom view of the design in FIG. 1; and, FIG. 7 is a side perspective view of the design in FIG. 1. Phantom lining where utilized are included for the purpose of illustrating the unclaimed portions of the article and form no part of the claimed design.

**1 Claim, 7 Drawing Sheets**

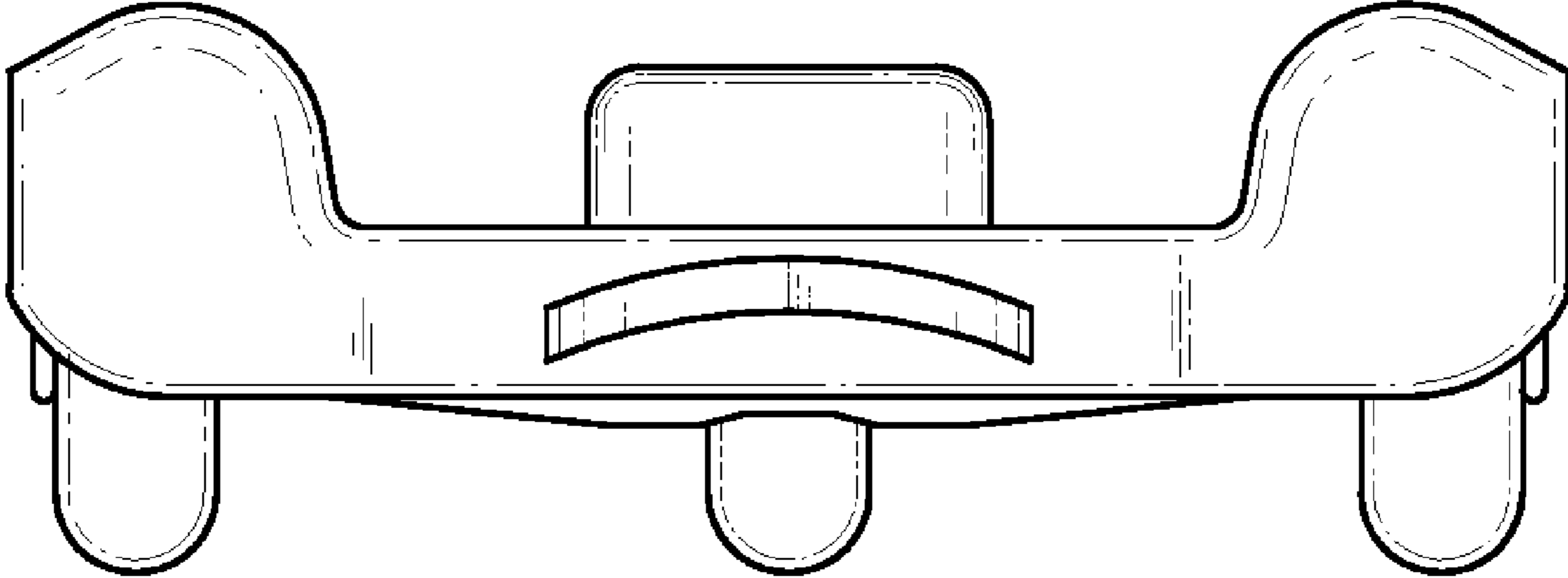




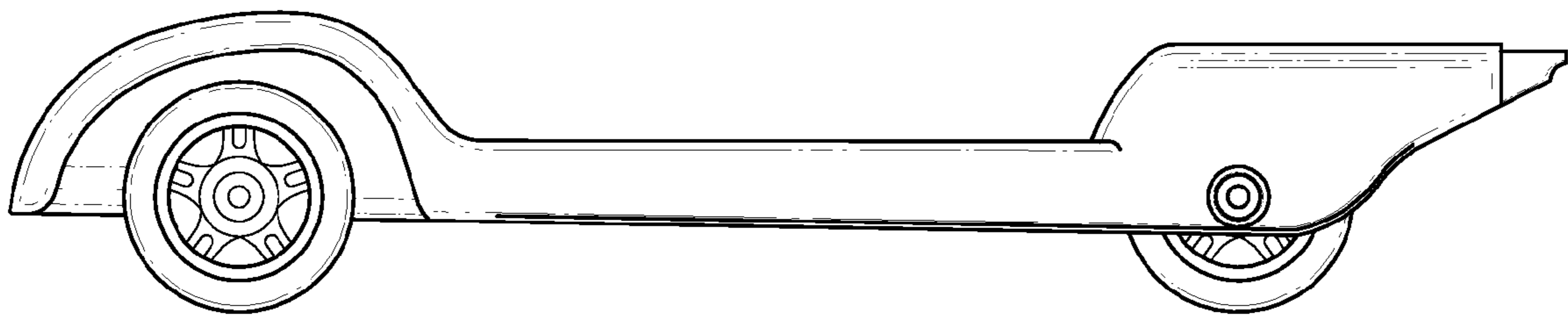
**FIG. 1**



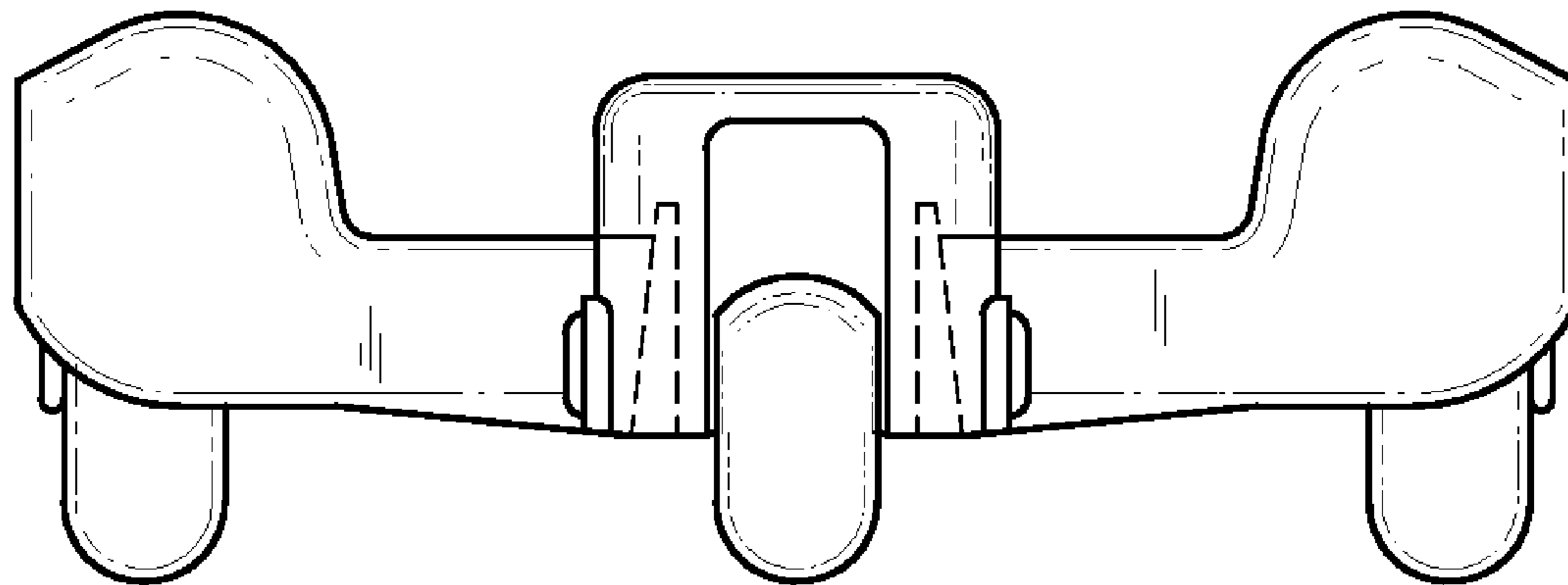
**FIG. 2**



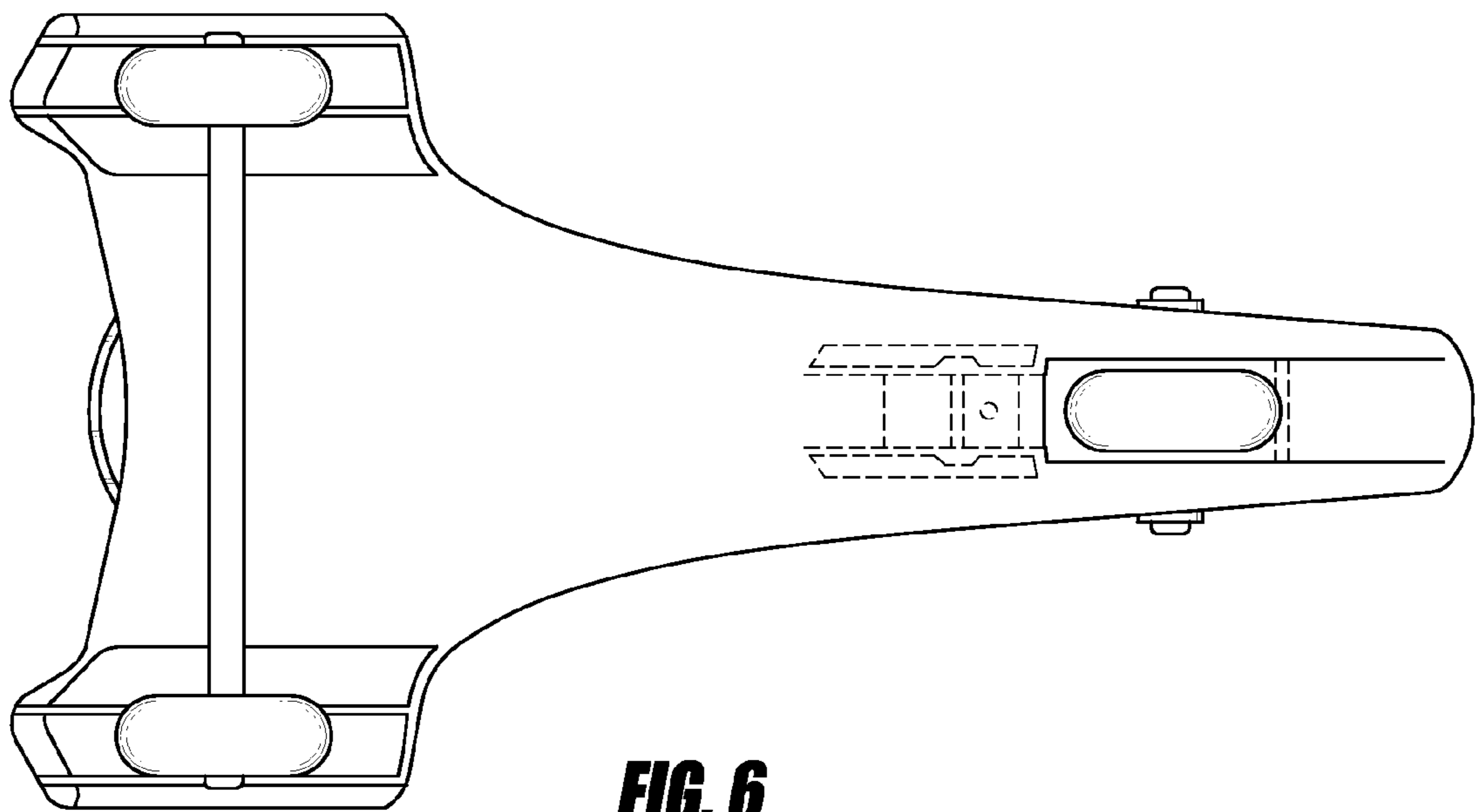
**FIG. 3**



**FIG. 4**



**FIG. 5**



**FIG. 6**

