



US00D645923S

(12) **United States Design Patent**  
**Price et al.**

(10) **Patent No.:** **US D645,923 S**  
(45) **Date of Patent:** **\*\* \*Sep. 27, 2011**

(54) **PUTTER HEAD**

(75) Inventors: **Bill Price**, Santa Ana, CA (US); **Paul M. Demkowski**, San Diego, CA (US); **Bret H. Wahl**, Escondido, CA (US); **Sean Toulon**, Vista, CA (US)

(73) Assignee: **Taylor Made Golf Company, Inc.**, Carlsbad, CA (US)

(\*) Notice: This patent is subject to a terminal disclaimer.

(\*\*) Term: **14 Years**

(21) Appl. No.: **29/378,782**

(22) Filed: **Nov. 9, 2010**

(51) **LOC (9) Cl.** ..... **21-02**

(52) **U.S. Cl.** ..... **D21/736**

(58) **Field of Classification Search** ..... D21/736-746;  
473/324-331, 340-341, 251-256  
See application file for complete search history.

(56) **References Cited**

**U.S. PATENT DOCUMENTS**

1,660,126	A	2/1928	Heeter	
D97,418	S	11/1935	Smith	
2,534,947	A	12/1950	Bright	
2,865,635	A	12/1958	Jessen	
D220,274	S	* 3/1971	Rango	D21/739
3,708,172	A	* 1/1973	Rango	473/249
3,749,408	A	7/1973	Mills	
3,909,005	A	9/1975	Pizsel	
D268,691	S	* 4/1983	Collins	D21/739
4,753,440	A	6/1988	Chorne	
5,242,344	A	9/1993	Hundley	
D352,758	S	* 11/1994	Tate	D21/793
5,529,299	A	* 6/1996	Bellagamba	473/285
D378,392	S	* 3/1997	Shumway	D21/743
D378,844	S	* 4/1997	Shine	D21/739
D380,030	S	* 6/1997	Altman	D21/739

(Continued)

**FOREIGN PATENT DOCUMENTS**

JP 2001095956 4/2001

(Continued)

**OTHER PUBLICATIONS**

Globalgolf, "Taylor Made Rossa Corza Ghost Putter Golf Club," downloaded from [http://www.globalgolf.com/product/golfclub/-/sku--1017311-aac/putter/taylor-made/rossa-corza-ghost.aspx?gd=1&utm\\_source=bingshopping&utm\\_medium=feed&utm\\_term=Taylor%20Made-Rossa%20Corza%20Ghost&utm\\_campaign=bingshopping](http://www.globalgolf.com/product/golfclub/-/sku--1017311-aac/putter/taylor-made/rossa-corza-ghost.aspx?gd=1&utm_source=bingshopping&utm_medium=feed&utm_term=Taylor%20Made-Rossa%20Corza%20Ghost&utm_campaign=bingshopping), 1 p. (document not dated, downloaded on Feb. 3, 2011).

(Continued)

*Primary Examiner* — Mitchell Siegel

(74) *Attorney, Agent, or Firm* — Klarquist Sparkman, LLP

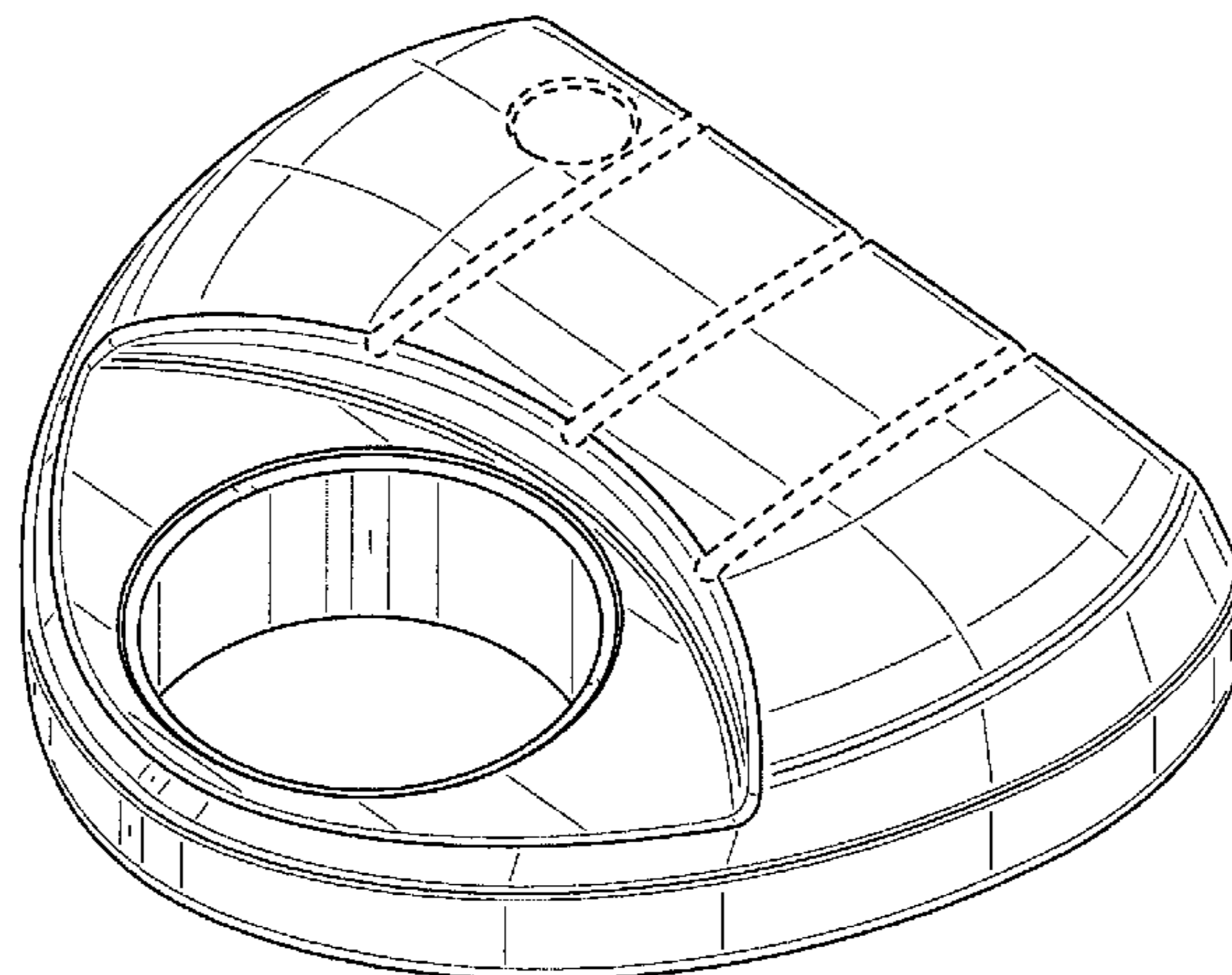
(57) **CLAIM**

I claim the ornamental design for a putter head, as shown and described.

**DESCRIPTION**

FIG. 1 is a perspective view of a putter head, as viewed from the rear, above and one side, according to one embodiment. FIG. 2 is a front elevation view of the putter head of FIG. 1. FIG. 3 is a rear elevation view of the putter head of FIG. 1. FIG. 4 is a side elevation view of the toe of the putter head of FIG. 1. FIG. 5 is a side elevation view of the heel of the putter head of FIG. 1. FIG. 6 is a top plan view of the putter head of FIG. 1; and, FIG. 7 is a bottom plan view of the putter head of FIG. 1. The dashed lines in the drawings are for illustrative purpose only and form no part of the claimed design.

**1 Claim, 4 Drawing Sheets**



# US D645,923 S

Page 2

## U.S. PATENT DOCUMENTS

D384,120 S 9/1997 De La Cruz et al.  
D388,853 S \* 1/1998 Minami ..... D21/745  
D389,885 S 1/1998 Mahaffey et al.  
5,769,740 A \* 6/1998 Colangelo ..... 473/408  
D402,724 S \* 12/1998 Minami ..... D21/743  
6,024,650 A 2/2000 Reeves  
D422,664 S \* 4/2000 Tate ..... D21/793  
D424,145 S \* 5/2000 Minami ..... D21/744  
D453,365 S 2/2002 Carr et al.  
6,425,831 B1 7/2002 Heene et al.  
D461,513 S 8/2002 Madore et al.  
D461,862 S 8/2002 Madore et al.  
6,471,600 B2 10/2002 Tang et al.  
D466,173 S 11/2002 Sizemore, Jr.  
6,506,125 B2 1/2003 Helmstetter et al.  
D478,948 S 8/2003 Bergling-Olson  
D485,880 S \* 1/2004 Madore et al. .... D21/759  
6,676,535 B2 1/2004 Sheets et al.  
D490,487 S 5/2004 Burrows  
D503,762 S 4/2005 Wood  
D518,864 S \* 4/2006 Bradshaw ..... D21/793  
7,022,030 B2 4/2006 Best et al.  
D527,064 S 8/2006 Breier et al.  
7,172,519 B2 2/2007 Byrne et al.  
D537,895 S 3/2007 Breier et al.  
D553,210 S 10/2007 Harvell et al.  
D553,211 S 10/2007 Harvell et al.  
7,344,451 B2 3/2008 Tang et al.  
D568,427 S \* 5/2008 Nguyen et al. .... D21/743  
D572,325 S \* 7/2008 Baer ..... D21/746  
D577,405 S 9/2008 Oldknow et al.  
D583,431 S \* 12/2008 Madore et al. .... D21/736  
7,481,715 B2 1/2009 Byrne  
7,491,135 B1 2/2009 Rollinson

D591,812 S 5/2009 Breier et al.  
D596,691 S \* 7/2009 Heap ..... D21/793  
7,588,499 B2 9/2009 Tateno  
D607,952 S \* 1/2010 Demkowski et al. .... D21/743  
D618,294 S 6/2010 Morris et al.  
D631,928 S \* 2/2011 Piatkowski ..... D21/793  
2005/0130755 A1 6/2005 Lindsay  
2008/0076598 A1 3/2008 Lin  
2009/0017933 A1 1/2009 Stites et al.  
2009/0017934 A1 1/2009 Stites et al.  
2009/0215547 A1 8/2009 Hegarty  
2009/0314398 A1 12/2009 Shaar, Jr.

## FOREIGN PATENT DOCUMENTS

JP 2004209021 7/2004  
JP 3148964 U 3/2009

## OTHER PUBLICATIONS

Tour Stop, "TaylorMade Putter Daytona #1 Ghost Right Hand," [http://www.tourstop.com/istar.asp?a=6&id=DAYTONAGHOST1RH%2116432&utm\\_source=VersaFeed&utm\\_medium=VersaFeed\\_bing&utm\\_content=TaylorMade+Putter+Daytona+1+Ghost+Right+Hand+White+35\\_inches&utm\\_campaign=cashback&v\\_traceback=c0118\\_2321\\_f0128\\_1833](http://www.tourstop.com/istar.asp?a=6&id=DAYTONAGHOST1RH%2116432&utm_source=VersaFeed&utm_medium=VersaFeed_bing&utm_content=TaylorMade+Putter+Daytona+1+Ghost+Right+Hand+White+35_inches&utm_campaign=cashback&v_traceback=c0118_2321_f0128_1833), 1p. (document not dated, downloaded on Feb. 3, 2011).  
Cobragolf, "Limited Edition ZL Driver," <http://www.cobragolf.com/golf-clubs/Cobra-White-ZL-Driver>, 3pp. (document not dated, downloaded on Feb. 3, 2011).  
About.com Golf, "Cobra Offers All-White ZL Driver— But Only 500 of Them," <http://golf.about.com/b/2010/11/05/cobra-offers-all-white-zl-driver-but-only-500-of-them.htm>, 1p. (document marked Nov. 5, 2010, downloaded on Feb. 3, 2011).

\* cited by examiner

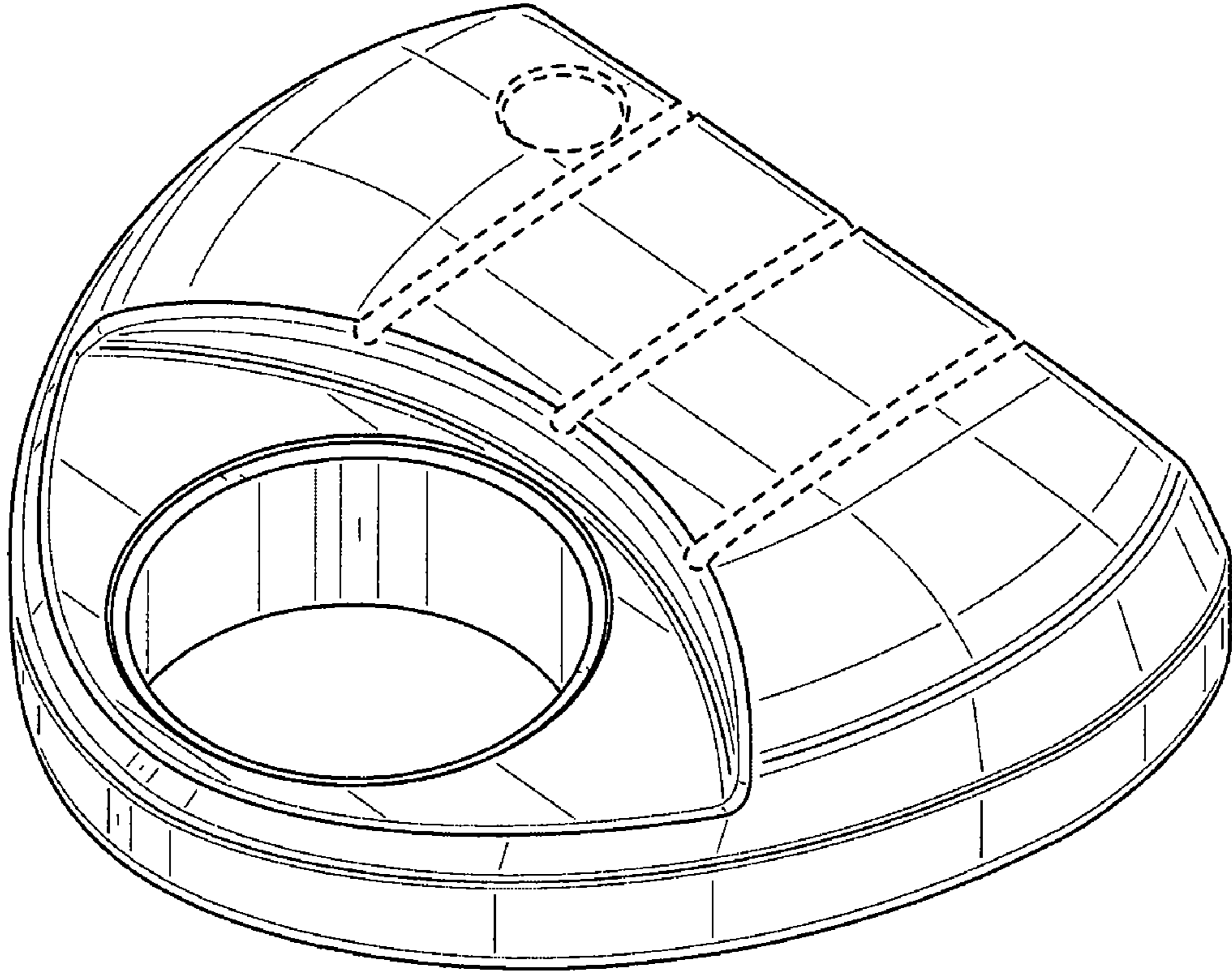


FIG. 1



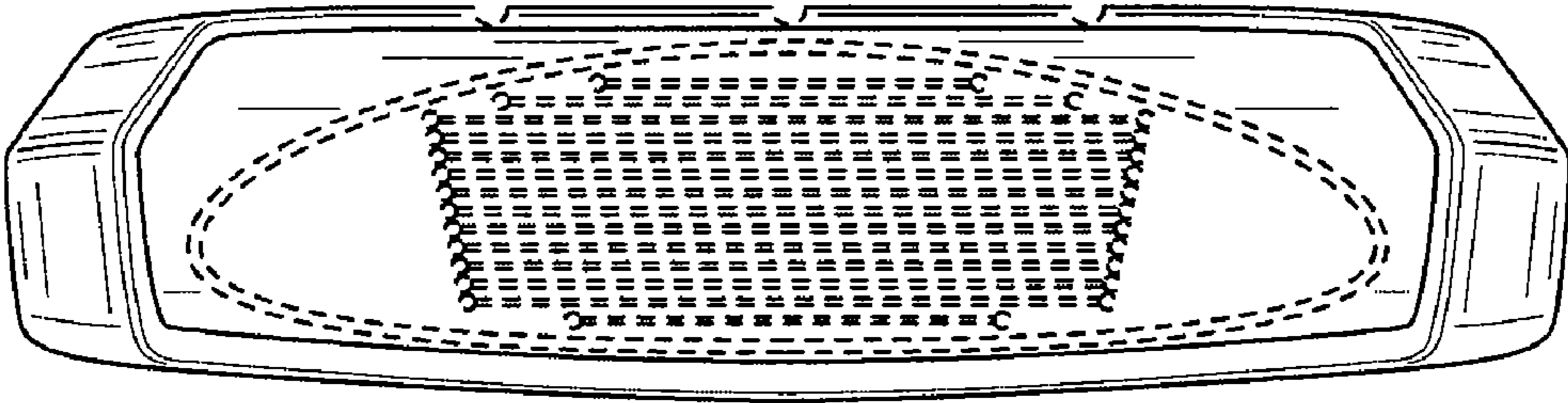


FIG. 2

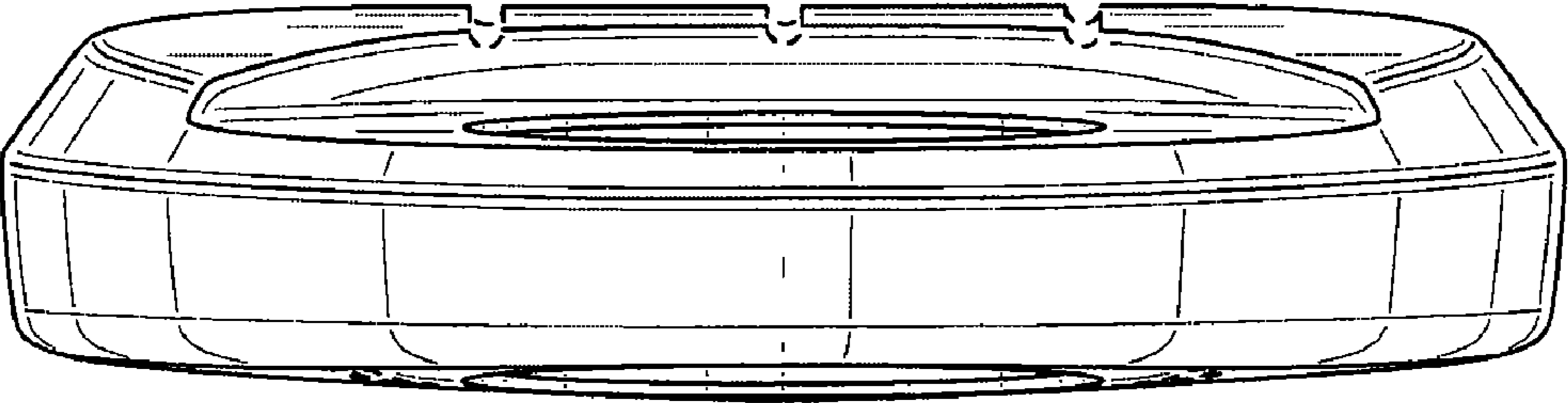


FIG. 3

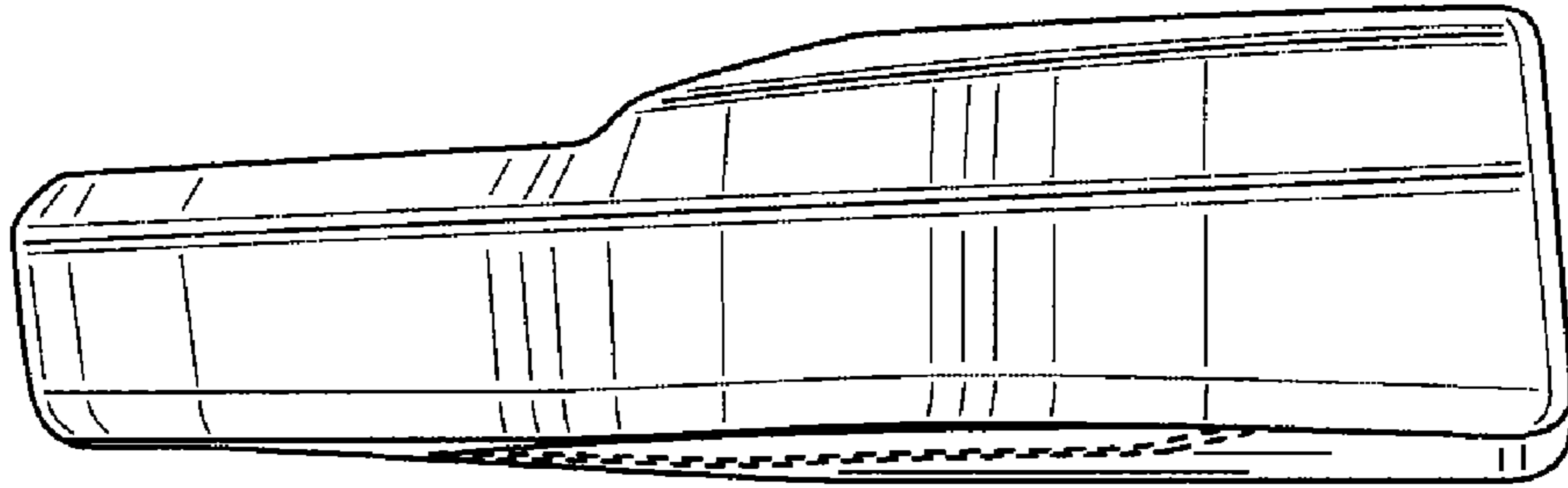


FIG. 4

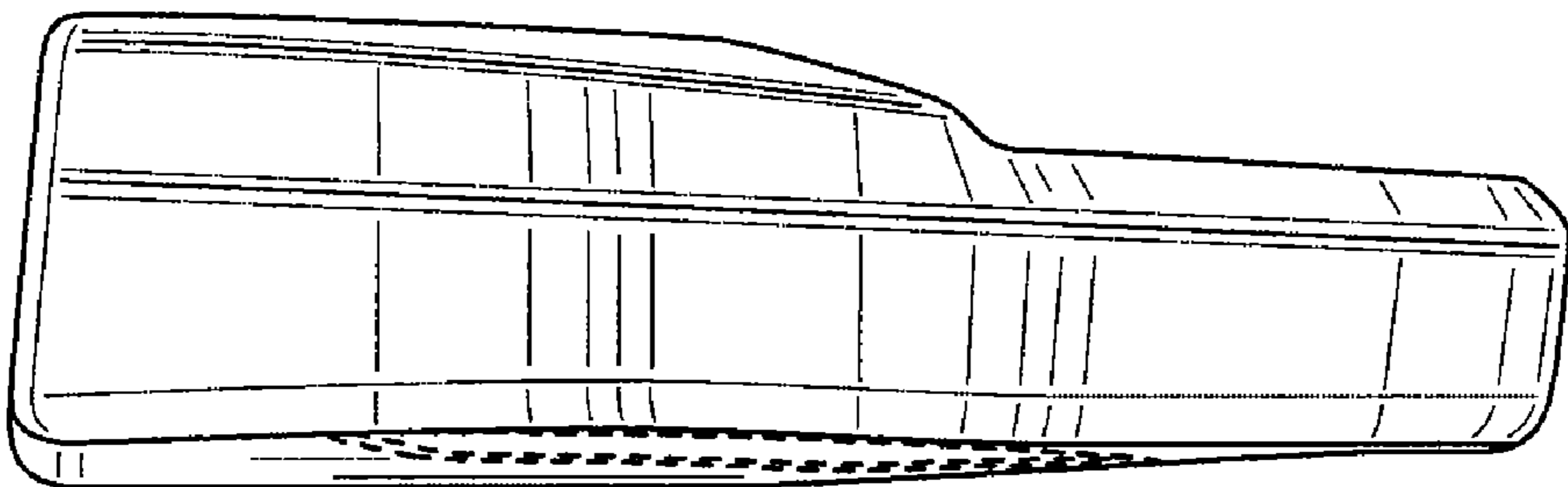


FIG. 5

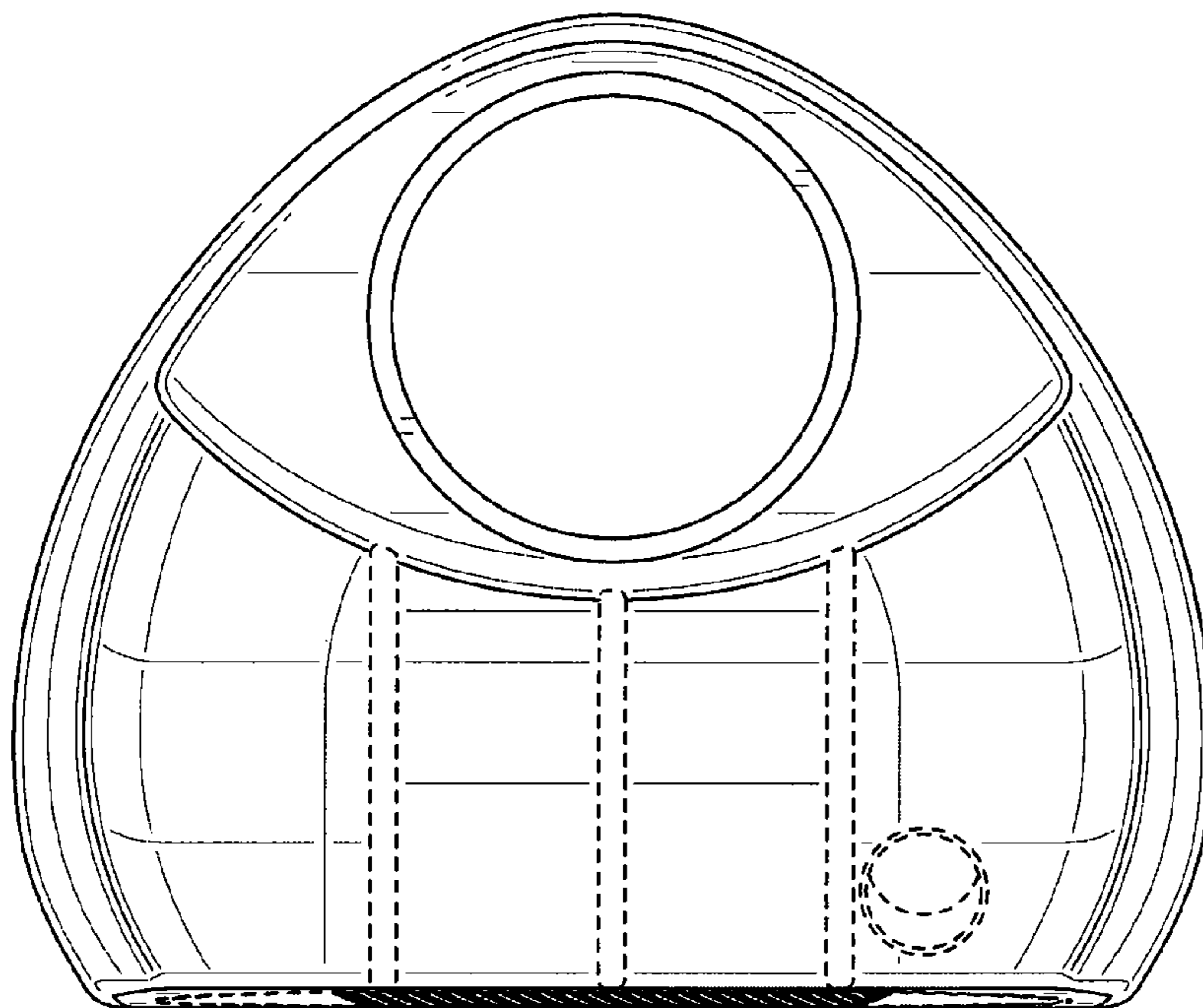


FIG. 6

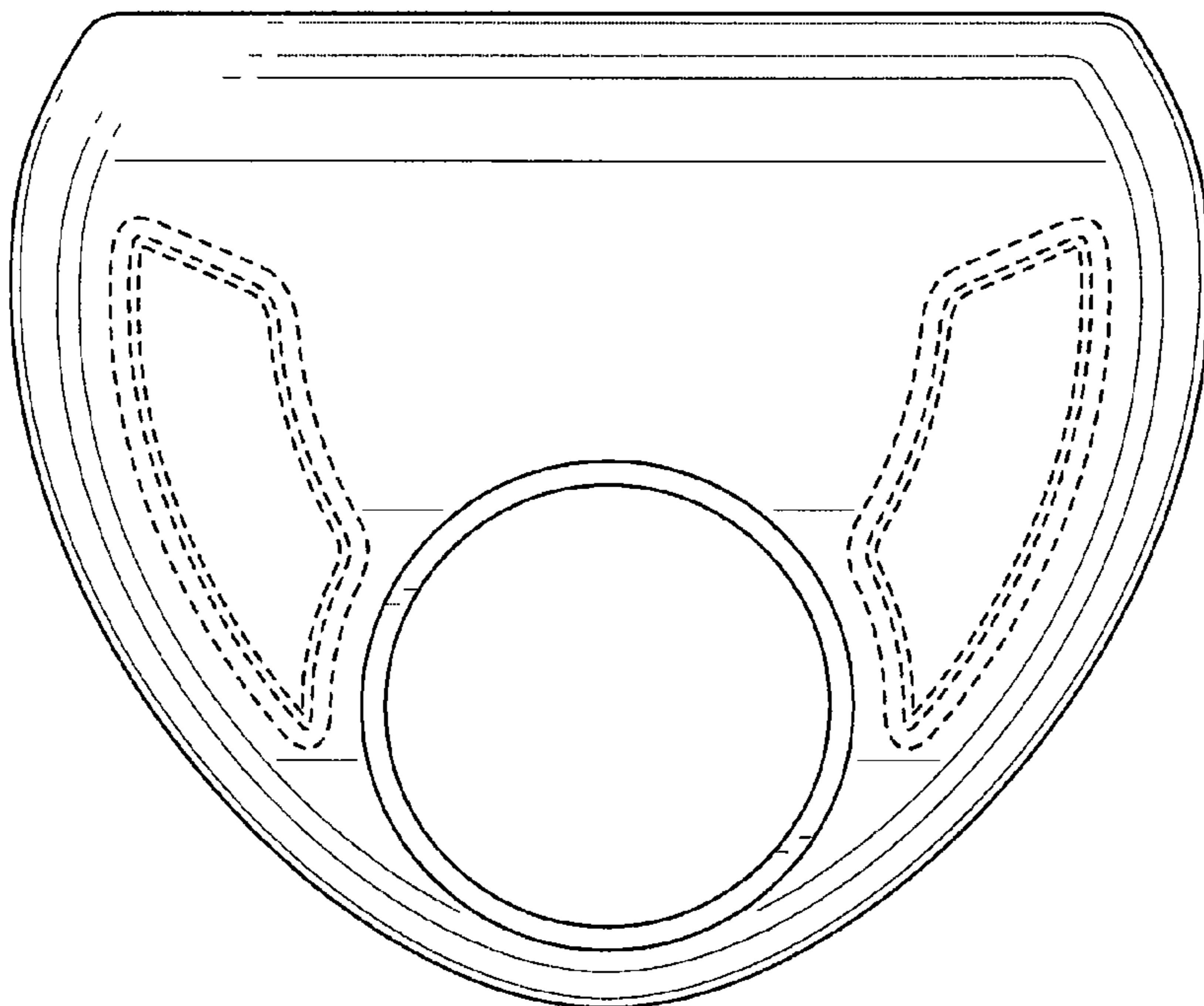


FIG. 7