



US00D645905S

(12) **United States Design Patent**
Liang et al.

(10) **Patent No.:** **US D645,905 S**

(45) **Date of Patent:** **** Sep. 27, 2011**

(54) **LITERATURE HOLDER**

(75) Inventors: **James Liang**, Foshan (CN); **Robin Wang**, Foshan (CN); **Danielle Rodgers**, Indianapolis, IN (US)

(73) Assignee: **Deflecto, LLC**, Indianapolis, IN (US)

(**) Term: **14 Years**

(21) Appl. No.: **29/384,005**

(22) Filed: **Jan. 25, 2011**

(51) **LOC (9) Cl.** **19-02**

(52) **U.S. Cl.** **D19/90**

(58) **Field of Classification Search** D3/314,
D3/315; D6/449, 475, 476, 477, 512, 553;
D19/65, 75, 77, 78, 86, 87, 90, 91; 206/215,
206/425, 449; 211/10, 11, 45, 50, 55, 113,
211/117, 118, 128.1; 248/441.1, 174

See application file for complete search history.

(56) **References Cited**

U.S. PATENT DOCUMENTS

1,746,778	A	*	2/1930	Kilgore	211/52
D224,840	S	*	9/1972	Talman et al.	D6/473
D250,960	S	*	1/1979	Bitner et al.	D19/90
D252,481	S	*	7/1979	Gordon	D6/473
D276,777	S	*	12/1984	Evenson	D6/473
5,009,335	A	*	4/1991	Jonker	211/55
5,344,030	A	*	9/1994	Evenson	211/55
5,390,801	A	*	2/1995	Hansen	211/55
D360,779	S	*	8/1995	Allekotte et al.	D6/449
5,595,308	A	*	1/1997	King et al.	211/40
5,758,781	A	*	6/1998	Lord et al.	211/55
5,984,117	A	*	11/1999	Smith	211/55
6,112,912	A	*	9/2000	Lord et al.	211/55
D433,846	S	*	11/2000	Chang	D6/474

D476,508	S	*	7/2003	Chang	D6/474
D488,937	S	*	4/2004	Gillet	D6/471
D503,569	S	*	4/2005	Lenger	D6/474
D505,572	S	*	5/2005	Chang	D6/474
D521,276	S	*	5/2006	Lenger	D6/474
D532,218	S	*	11/2006	Caldwell et al.	D6/468
D609,938	S	*	2/2010	Zarelius	D6/464
D614,421	S	*	4/2010	Sexton	D6/479
D635,377	S	*	4/2011	Rodgers et al.	
D636,197	S	*	4/2011	Lee	D6/509

* cited by examiner

Primary Examiner — Elizabeth Albert

(74) *Attorney, Agent, or Firm* — SNR Denton US LLP; Brian R. McGinley; Anne K. W. Sutton

(57) **CLAIM**

The ornamental design for a literature holder, as shown and described.

DESCRIPTION

FIG. 1 is a front elevational view of the literature holder showing the new design;

FIG. 2 is a right side elevational view of the literature holder shown in FIG. 1; the left side elevational view is a mirror image of the right side elevational view;

FIG. 3 is a rear elevational view of the literature holder shown in FIG. 1;

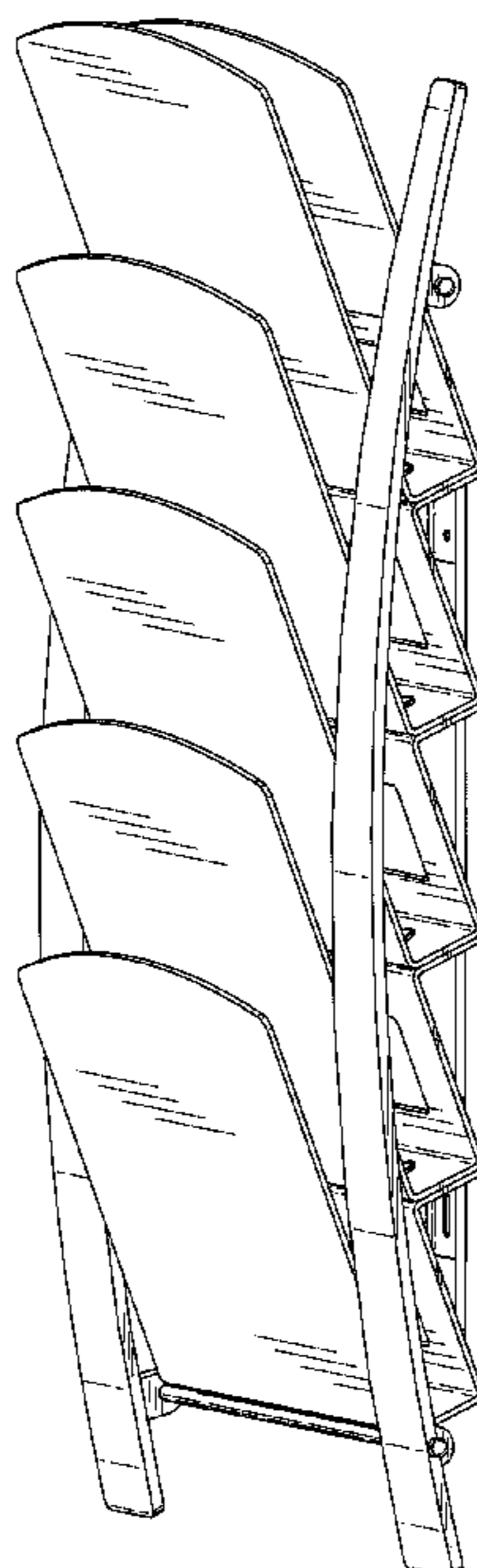
FIG. 4 is a top plan view of the literature holder shown in FIG. 1;

FIG. 5 is a bottom plan view of the literature holder shown in FIG. 1;

FIG. 6 is a front perspective view of the literature holder shown in FIG. 1; and,

FIG. 7 is a rear perspective view of the literature holder shown in FIG. 1.

1 Claim, 4 Drawing Sheets



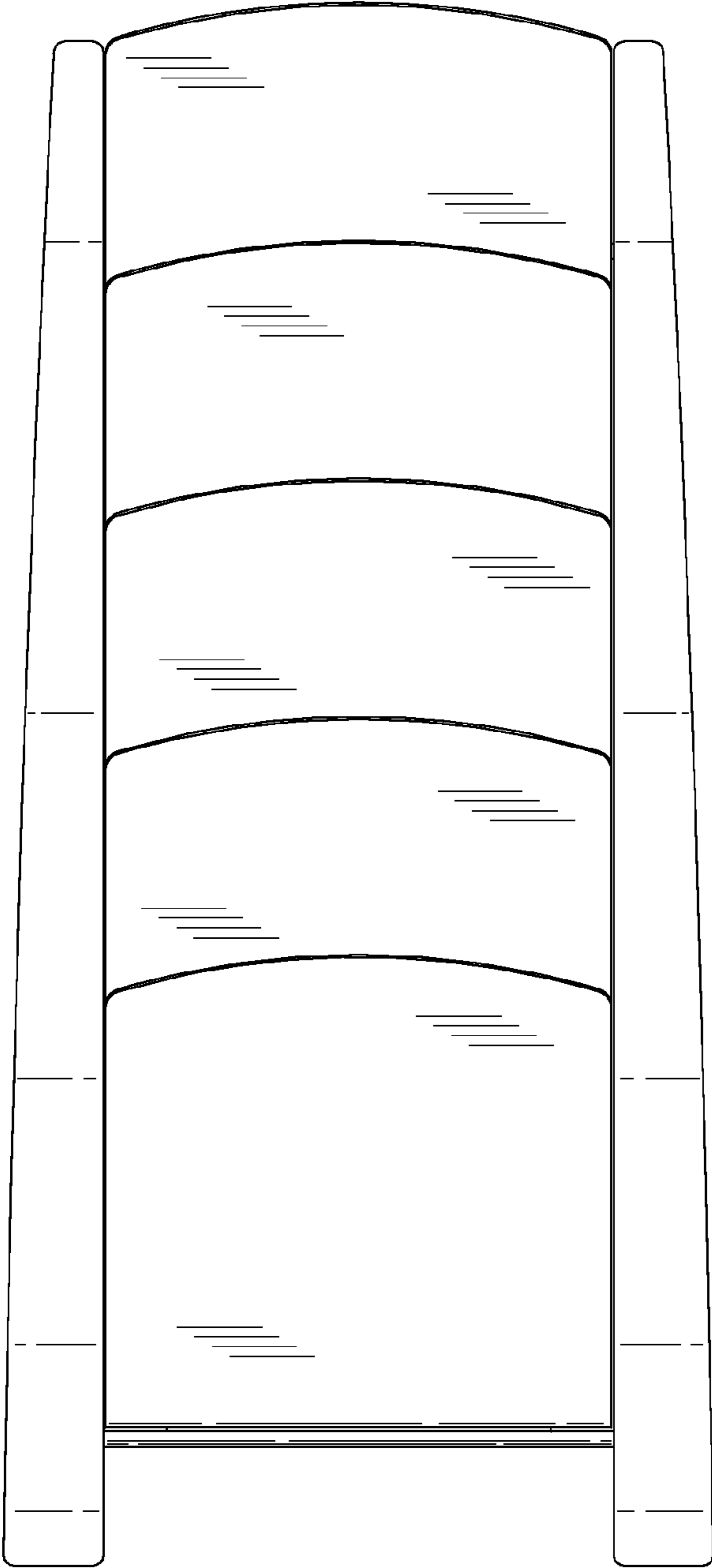


Fig. 1

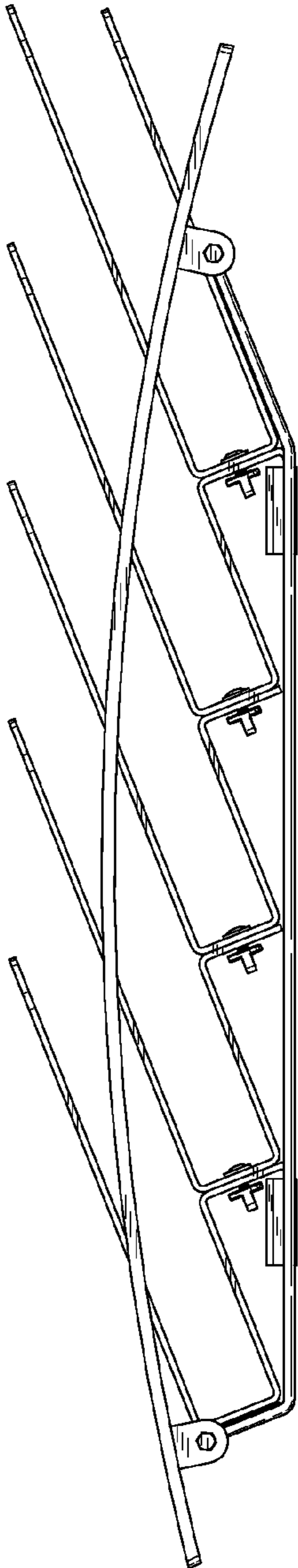


Fig. 2

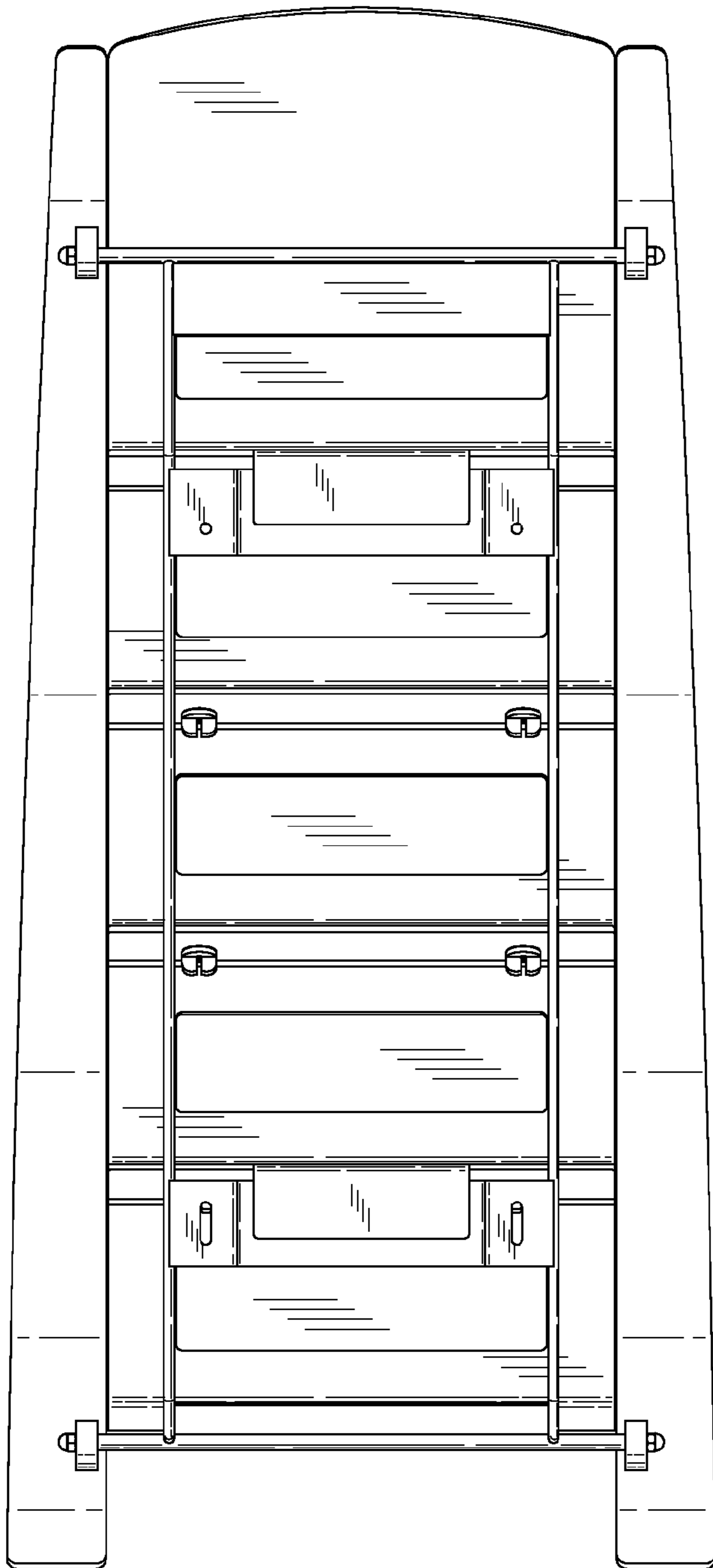


Fig. 3

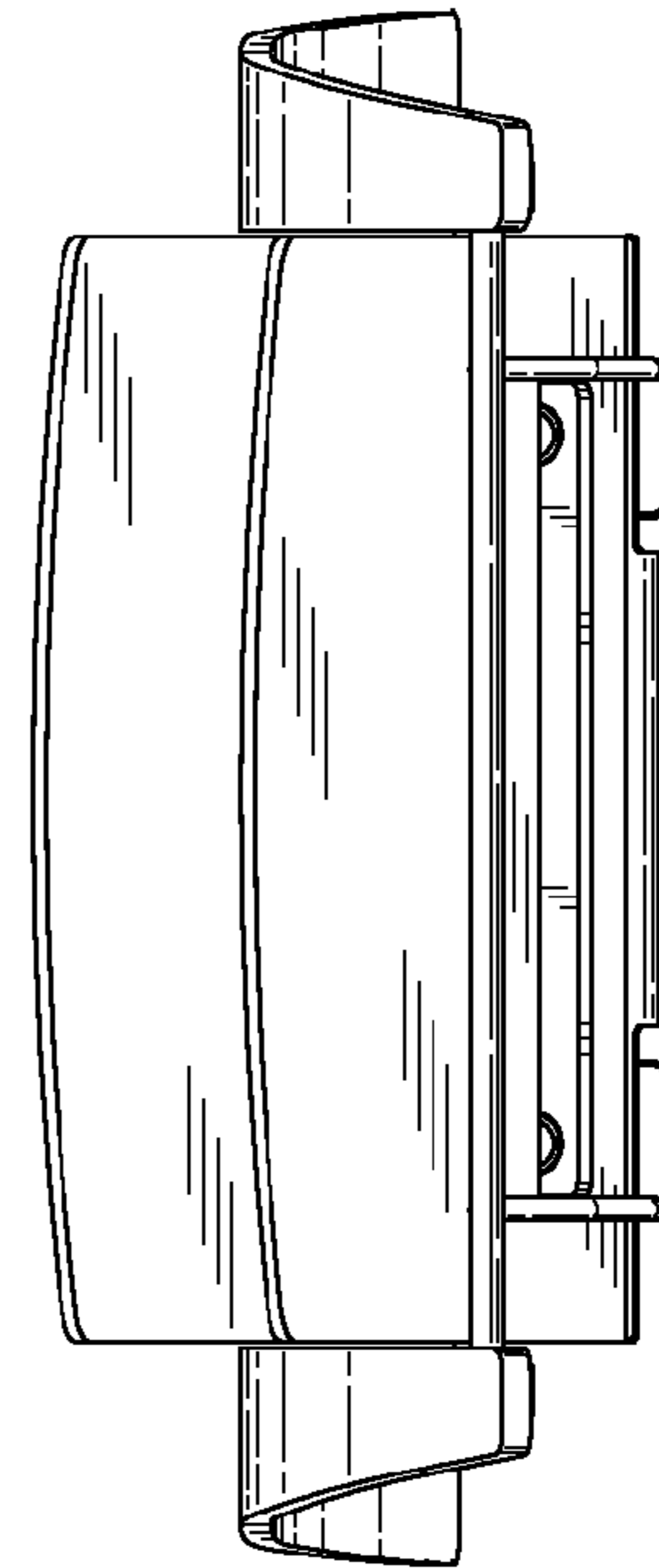


Fig. 4

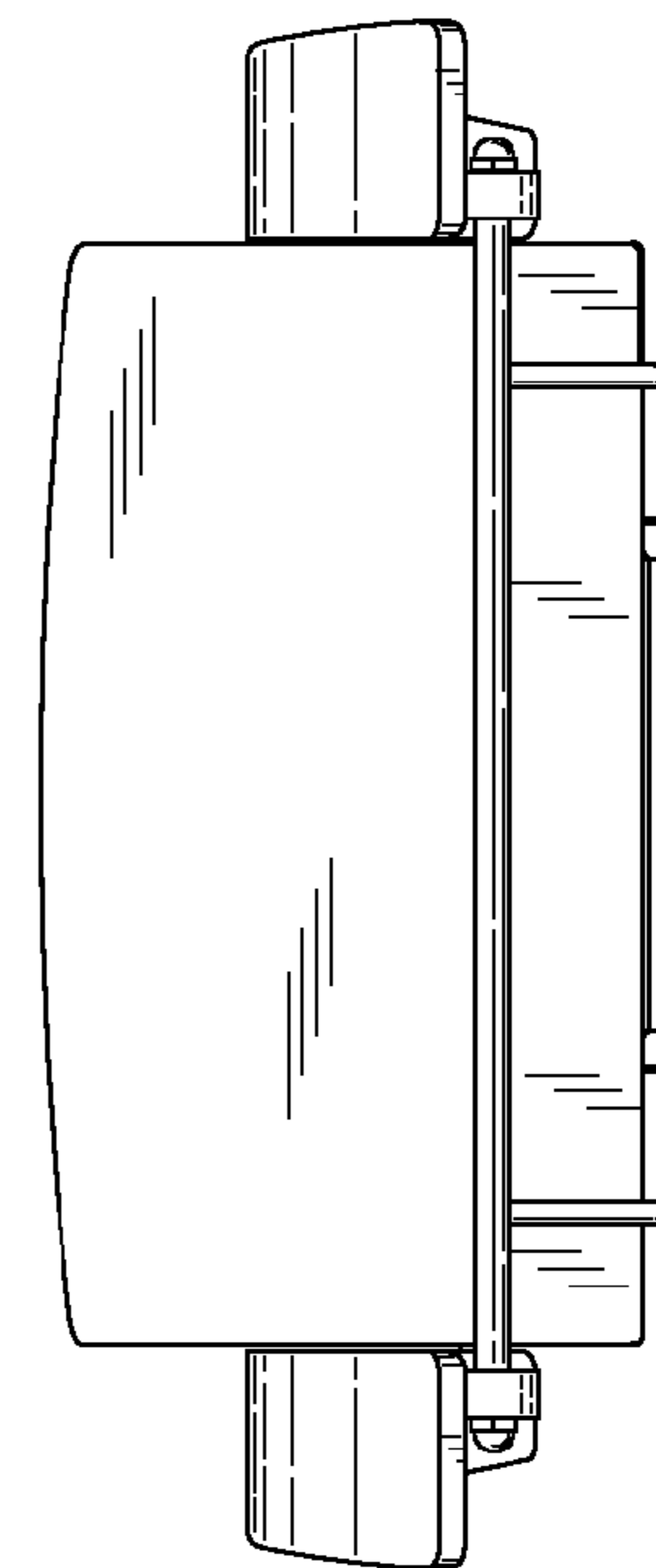


Fig. 5

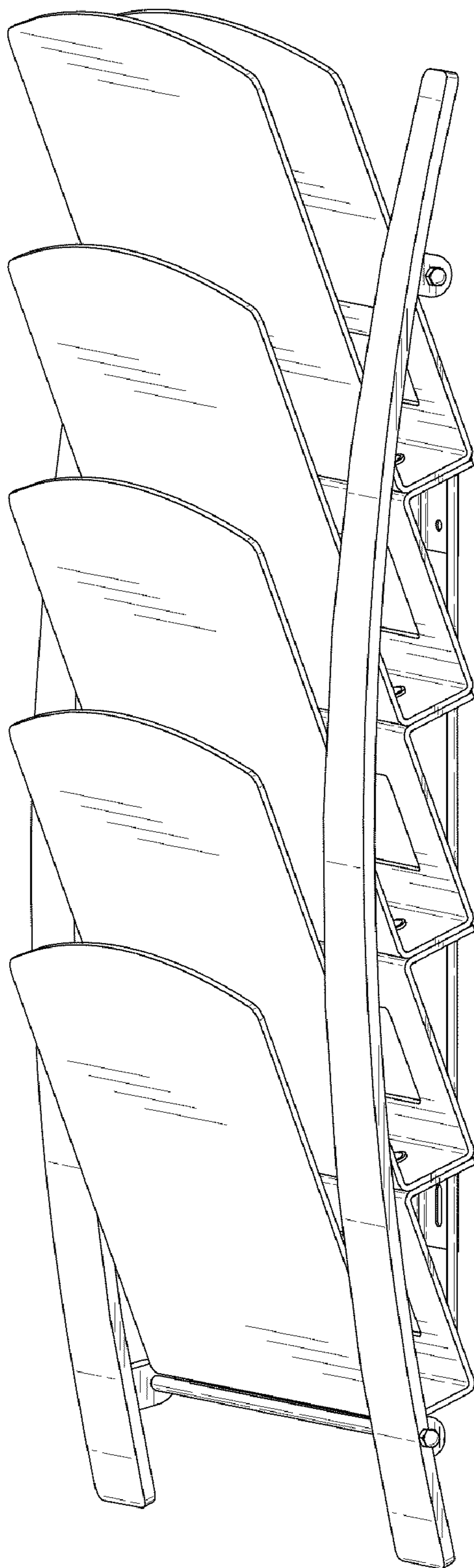


Fig. 6

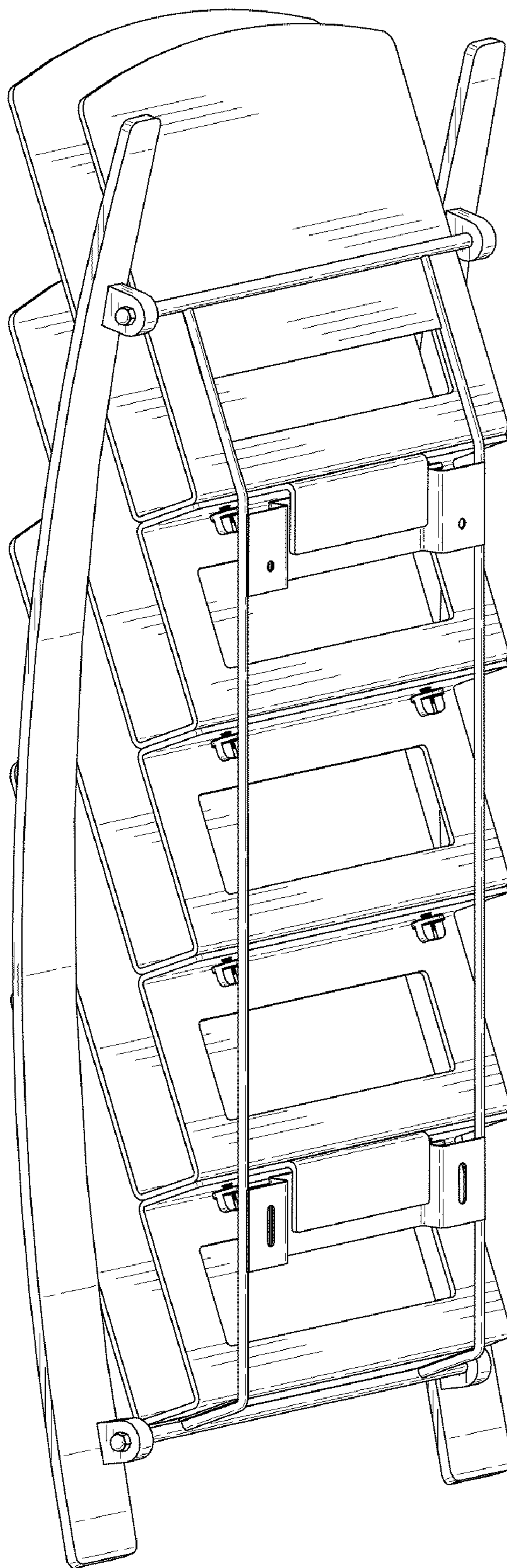


Fig. 7