



US00D645897S

(12) **United States Design Patent**
Chuang et al.

(10) **Patent No.:** **US D645,897 S**

(45) **Date of Patent:** **** Sep. 27, 2011**

(54) **PRINTER**

(75) Inventors: **Hui-Chi Chuang**, San Diego, CA (US);
Mylene A. Tjin Wong Joe, San Diego,
CA (US); **Samuel A. Stodder**, Encinitas,
CA (US); **Joseph Rothery, III**, San
Diego, CA (US)

(73) Assignee: **Hewlett-Packard Development
Company, L.P.**, Houston, TX (US)

(**) Term: **14 Years**

(21) Appl. No.: **29/368,625**

(22) Filed: **Aug. 26, 2010**

(51) **LOC (9) Cl.** **14-02**

(52) **U.S. Cl.** **D18/50**

(58) **Field of Classification Search** D18/14,
D18/19, 36-37, 50, 54, 54.1, 55; D14/420-425,
D14/463-470, 434; 400/613, 613.1-613.4,
400/690.1-690.4, 691-694
See application file for complete search history.

(56) **References Cited**

U.S. PATENT DOCUMENTS

D232,194 S *	7/1974	Conway et al.	D18/54
D244,097 S *	4/1977	Frick	D14/472
D244,964 S *	7/1977	Frick	D18/54
D277,101 S *	1/1985	Hara et al.	D14/422
D280,211 S *	8/1985	Overman et al.	D18/55
D323,183 S *	1/1992	Irie et al.	D18/55
D330,723 S *	11/1992	Mitsushima et al.	D18/55
D332,091 S *	12/1992	Iino	D14/434

D335,894 S *	5/1993	Nishikaze et al.	D18/55
5,347,593 A *	9/1994	Klinefelter	D14/422
D418,864 S *	1/2000	Igarashi	D18/49
D419,973 S *	2/2000	Ueda	D14/434
D424,100 S *	5/2000	Hesselbach	D18/50
D436,371 S *	1/2001	Shimamura	D18/50
D444,813 S	7/2001	Quijano		
D522,044 S	5/2006	Emmenegger et al.		
D530,738 S *	10/2006	Tay et al.	D18/55
D537,113 S	2/2007	Gant et al.		
D554,699 S *	11/2007	Tate et al.	D18/55
D573,179 S *	7/2008	Bae et al.	D18/50
D590,013 S	4/2009	Miticocchio et al.		
D620,492 S *	7/2010	Tang et al.	D14/422

* cited by examiner

Primary Examiner — Cathy A MacCormac

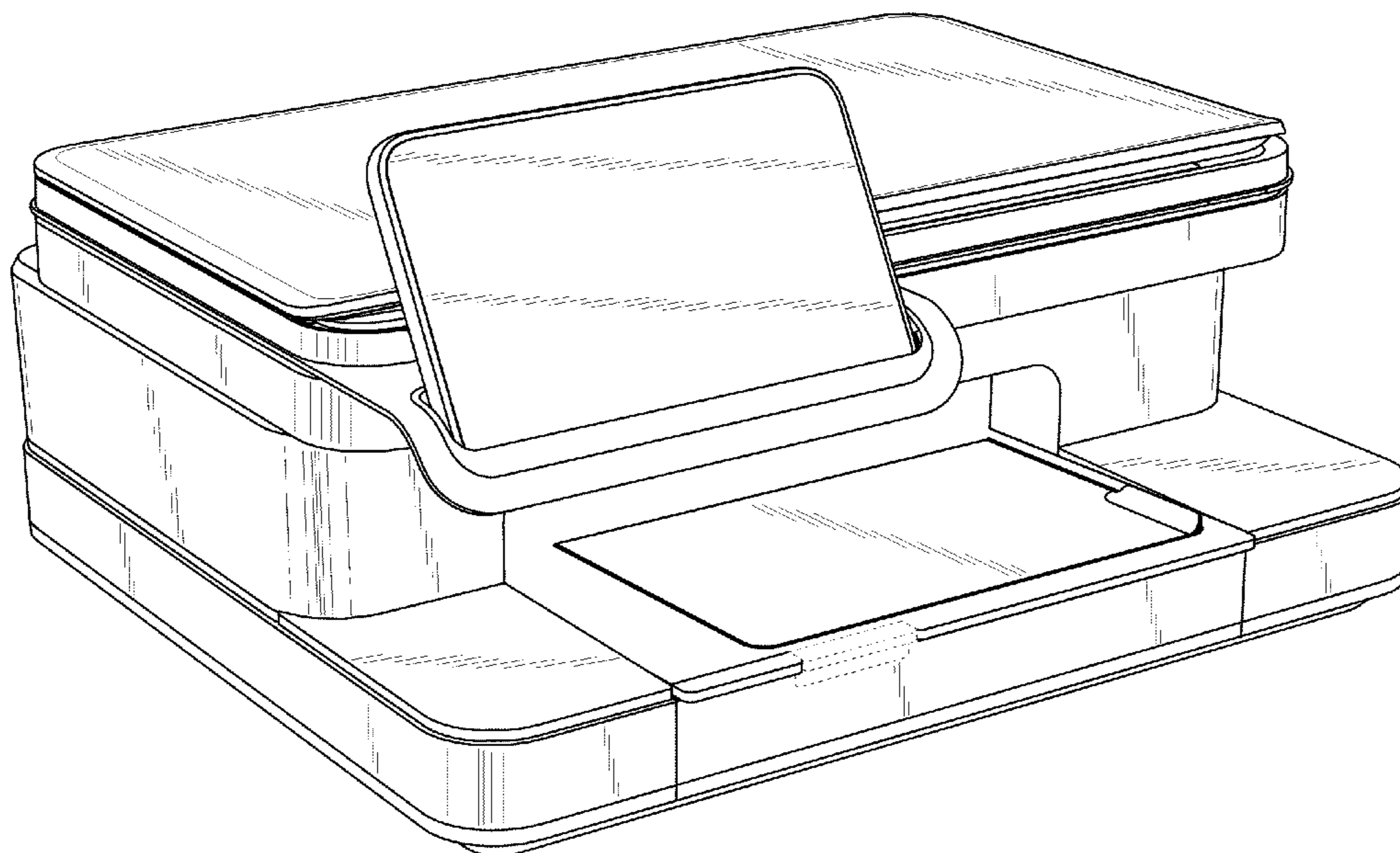
(57) **CLAIM**

The ornamental design for a printer, as shown and described herein.

DESCRIPTION

FIG. 1 is a front, top, and left side perspective view of a printer;
FIG. 2 is a front elevational view thereof;
FIG. 3 is a rear elevational view thereof;
FIG. 4 is a top plan view thereof;
FIG. 5 is a bottom plan view thereof;
FIG. 6 is a right side elevational view thereof; and,
FIG. 7 is a left side elevational view thereof.
Those portions of the Figures shown in broken lines are included for illustrative purposes only and form no part of the claimed design.

1 Claim, 7 Drawing Sheets



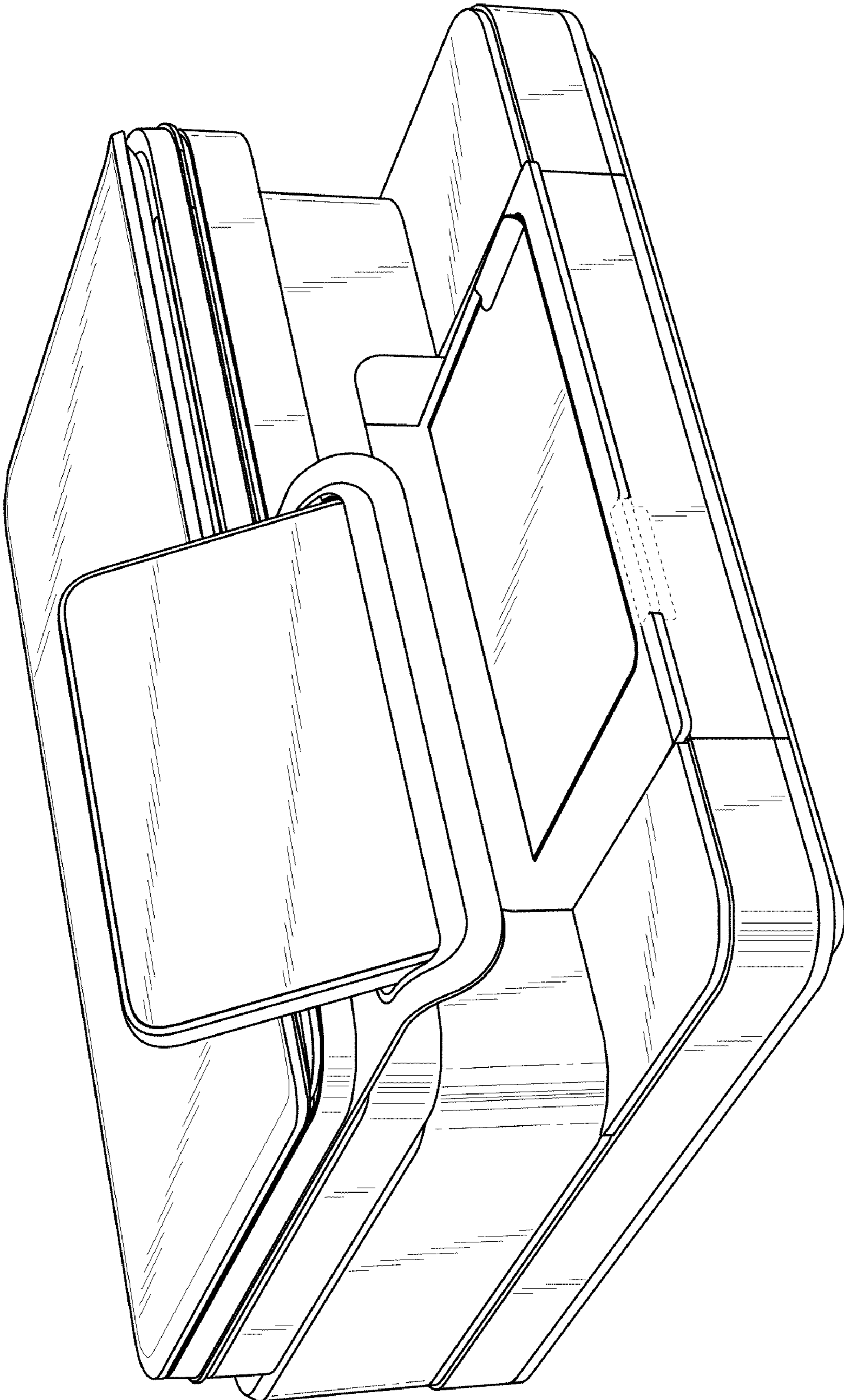


Fig. 1

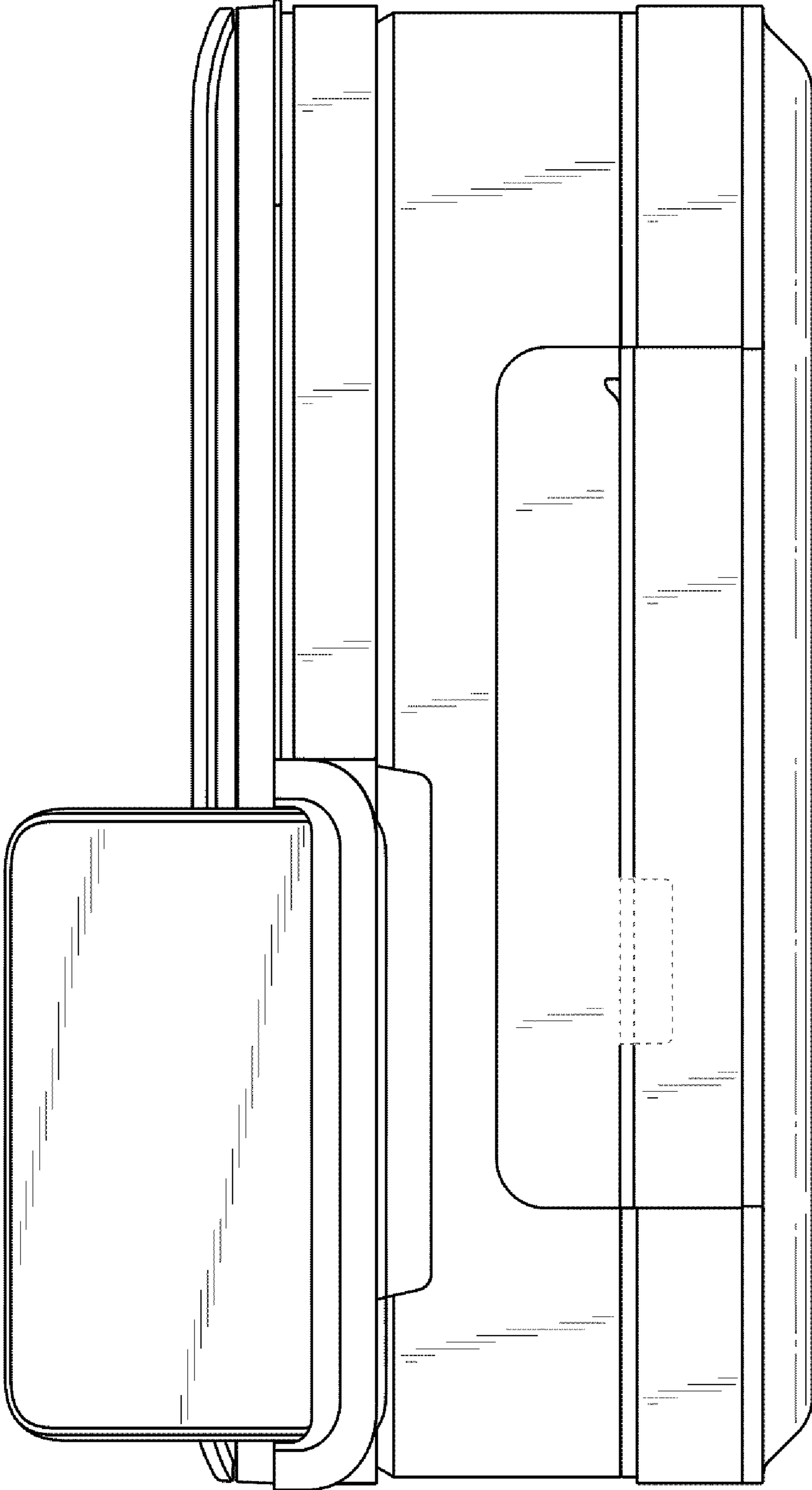


Fig. 2

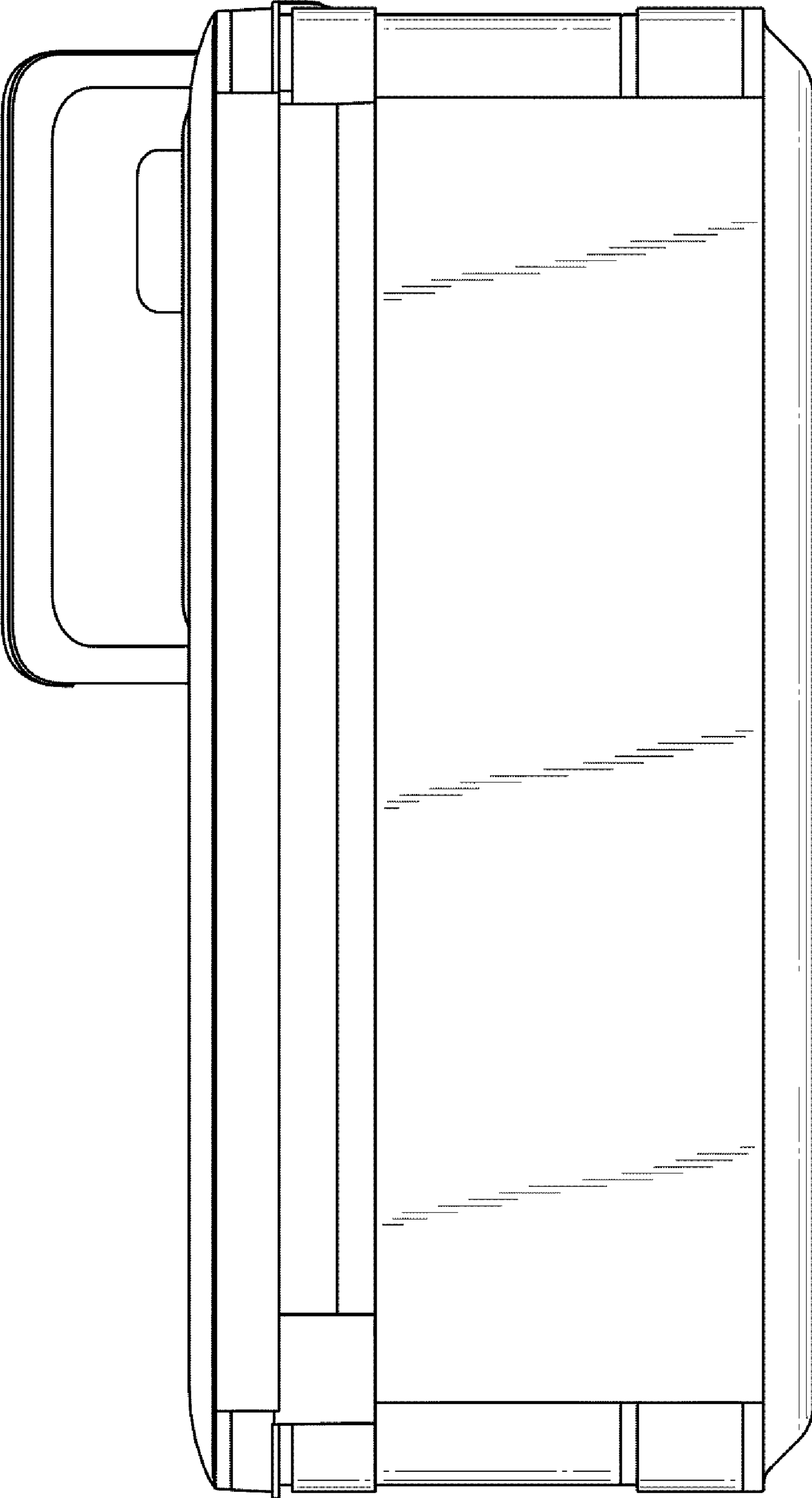


Fig. 3

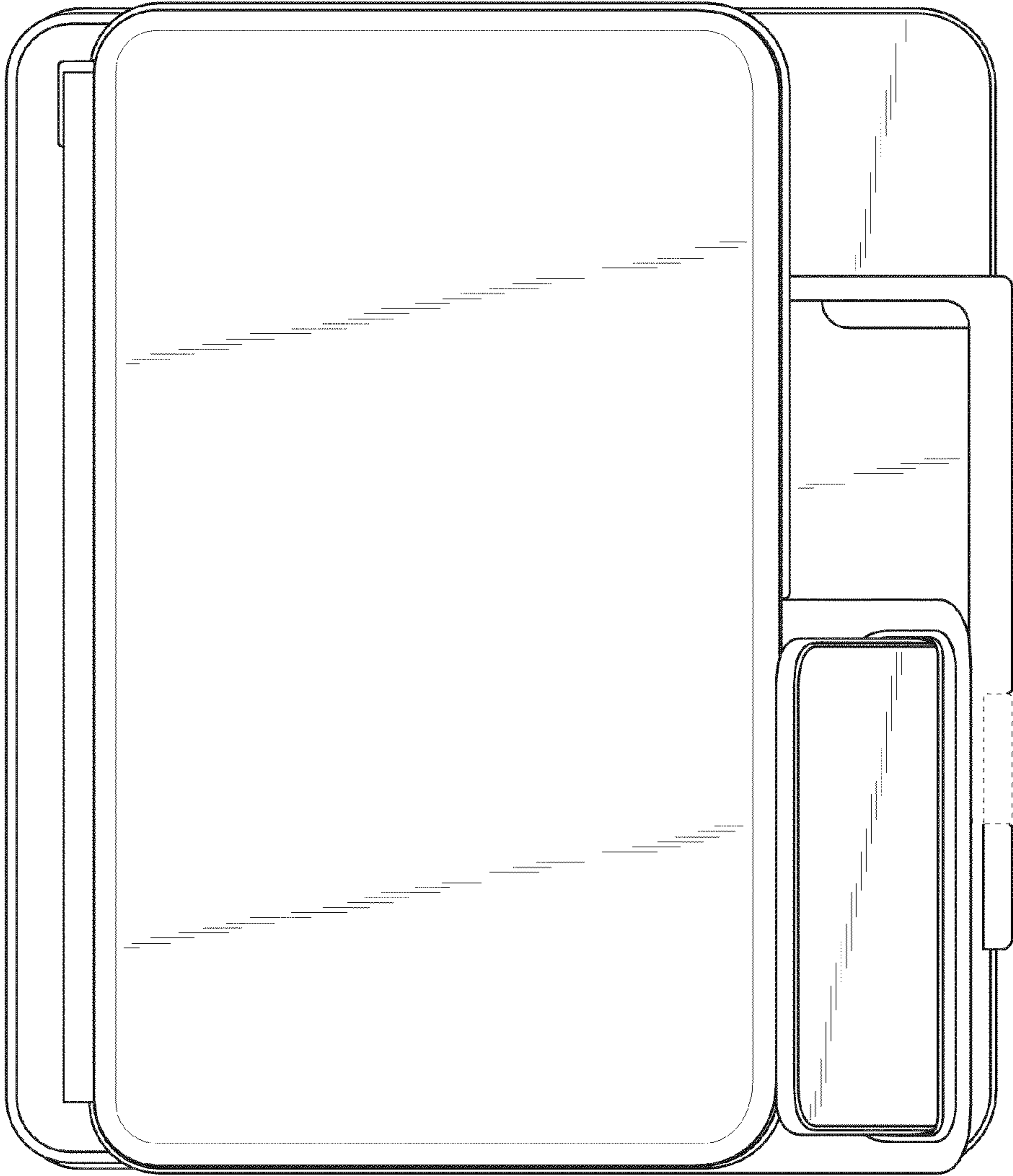


Fig. 4

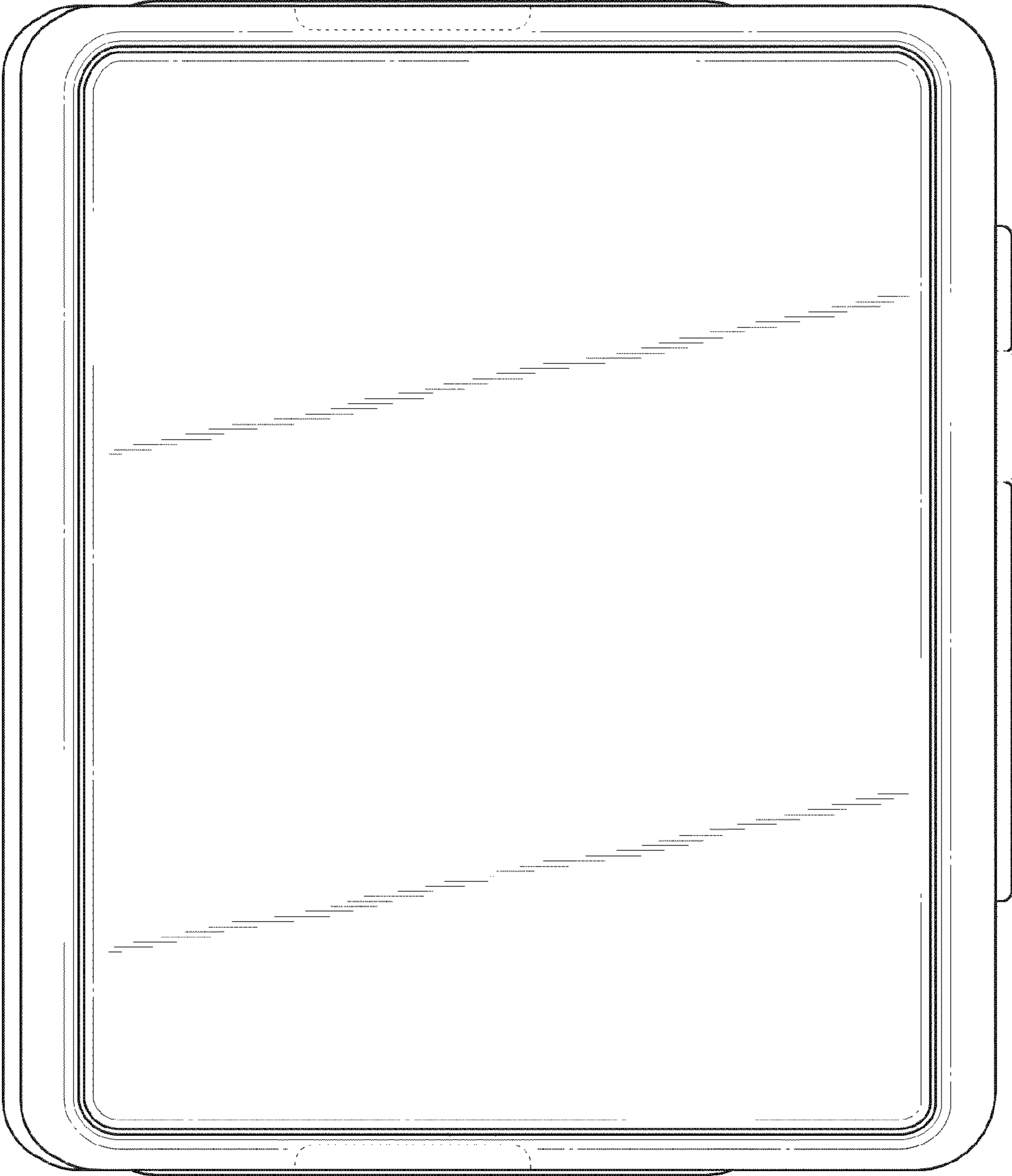


Fig. 5

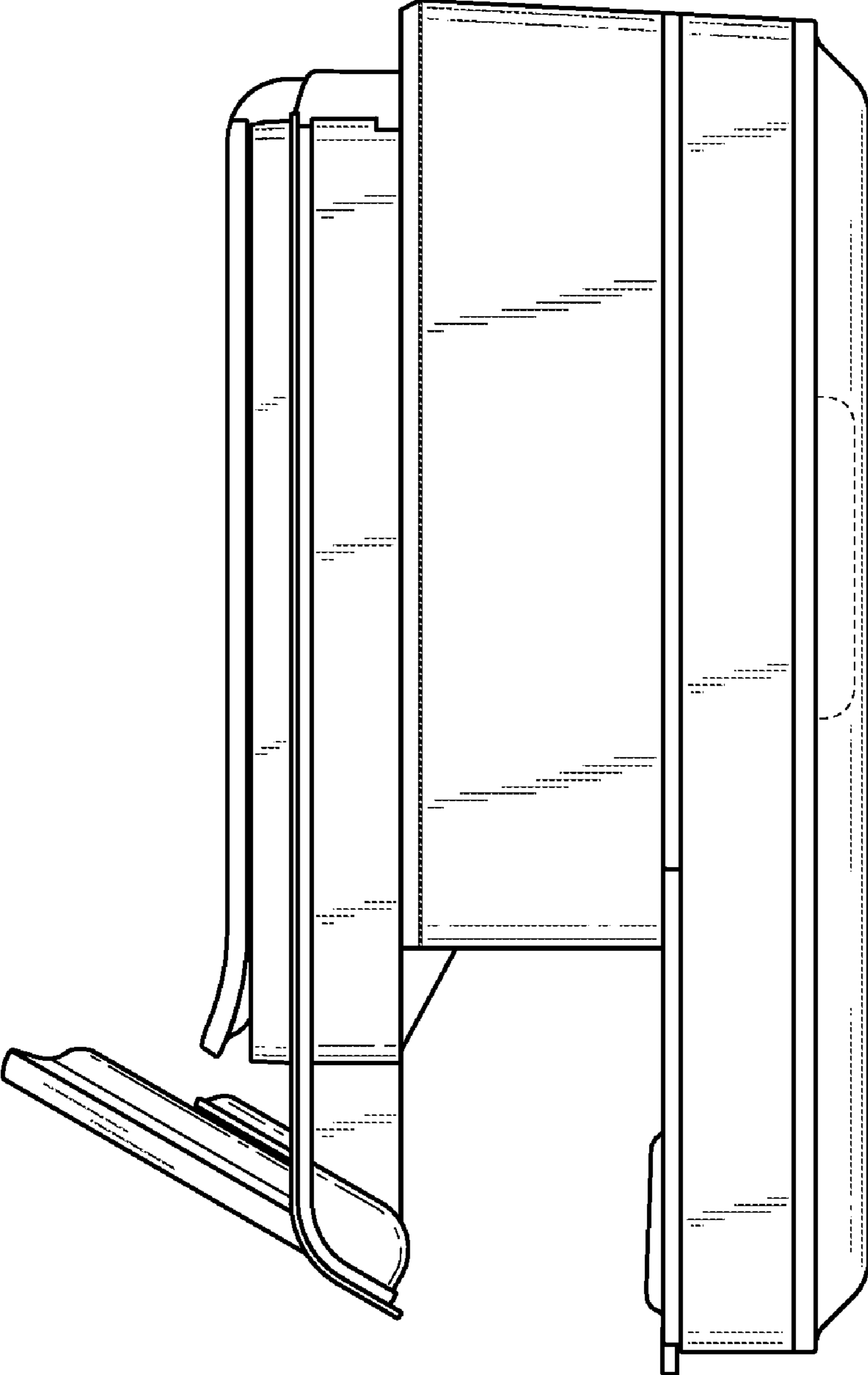


Fig. 6

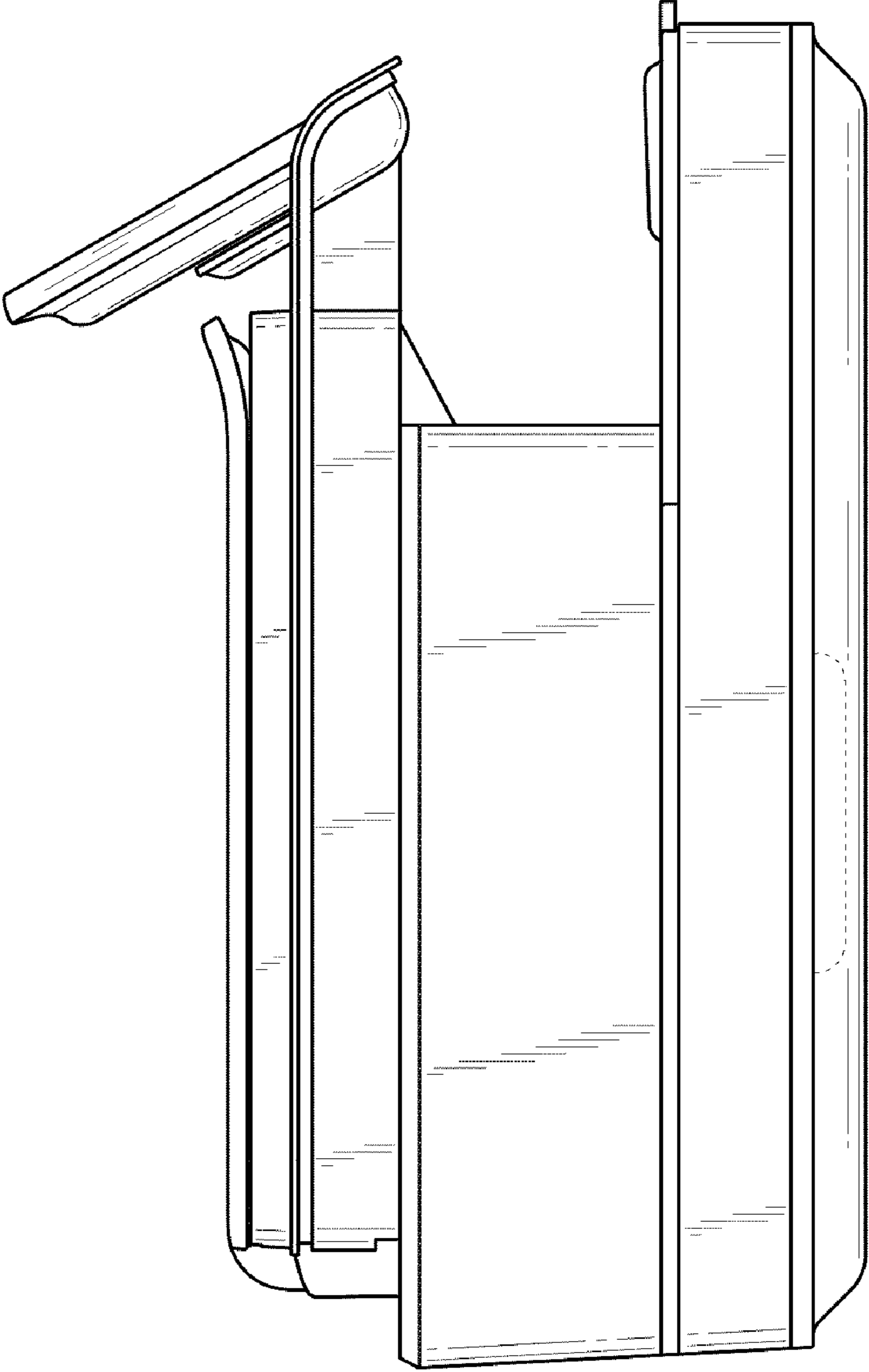


Fig. 7