

US00D645893S

(12) **United States Design Patent**  
**Gebhard**

(10) **Patent No.:** **US D645,893 S**

(45) **Date of Patent:** **\*\* Sep. 27, 2011**

(54) **SUNGLASSES**

(75) Inventor: **Albert W. Gebhard**, Denver, CO (US)

(73) Assignee: **John A. Gennaro**, Scotch Plains, NJ (US)

(\*\*) Term: **14 Years**

(21) Appl. No.: **29/387,057**

(22) Filed: **Mar. 8, 2011**

(51) **LOC (9) Cl.** ..... **16-06**

(52) **U.S. Cl.** ..... **D16/306; D16/314; D16/325**

(58) **Field of Classification Search** ..... D16/101,  
D16/300-342; D29/109-110; D24/110.2;  
351/41, 44, 51-52, 62, 158, 92, 103-123,  
351/140, 153, 45-46; 2/426-432, 447-449,  
2/441, 434-437, 13, 15; D21/483, 659-661,  
D21/598

See application file for complete search history.

(56) **References Cited**

**U.S. PATENT DOCUMENTS**

D354,298 S \* 1/1995 Keong ..... D16/306  
D375,111 S \* 10/1996 Wielhouwer ..... D16/304

D431,042 S \* 9/2000 Lin ..... D16/304  
D570,896 S \* 6/2008 Magal ..... D16/306  
D588,622 S \* 3/2009 Magal ..... D16/306  
7,524,053 B2 \* 4/2009 Lipton ..... 351/41  
D619,634 S \* 7/2010 Magal ..... D16/306

\* cited by examiner

*Primary Examiner* — Raphael Barkai

(74) *Attorney, Agent, or Firm* — Margaret Polson; Oppedahl Patent Law Firm LLC

(57) **CLAIM**

The ornamental design for sunglasses, as shown and described.

**DESCRIPTION**

FIG. 1 is a back side perspective view of a new design for sunglasses.

FIG. 2 is a front side elevation view of FIG. 1.

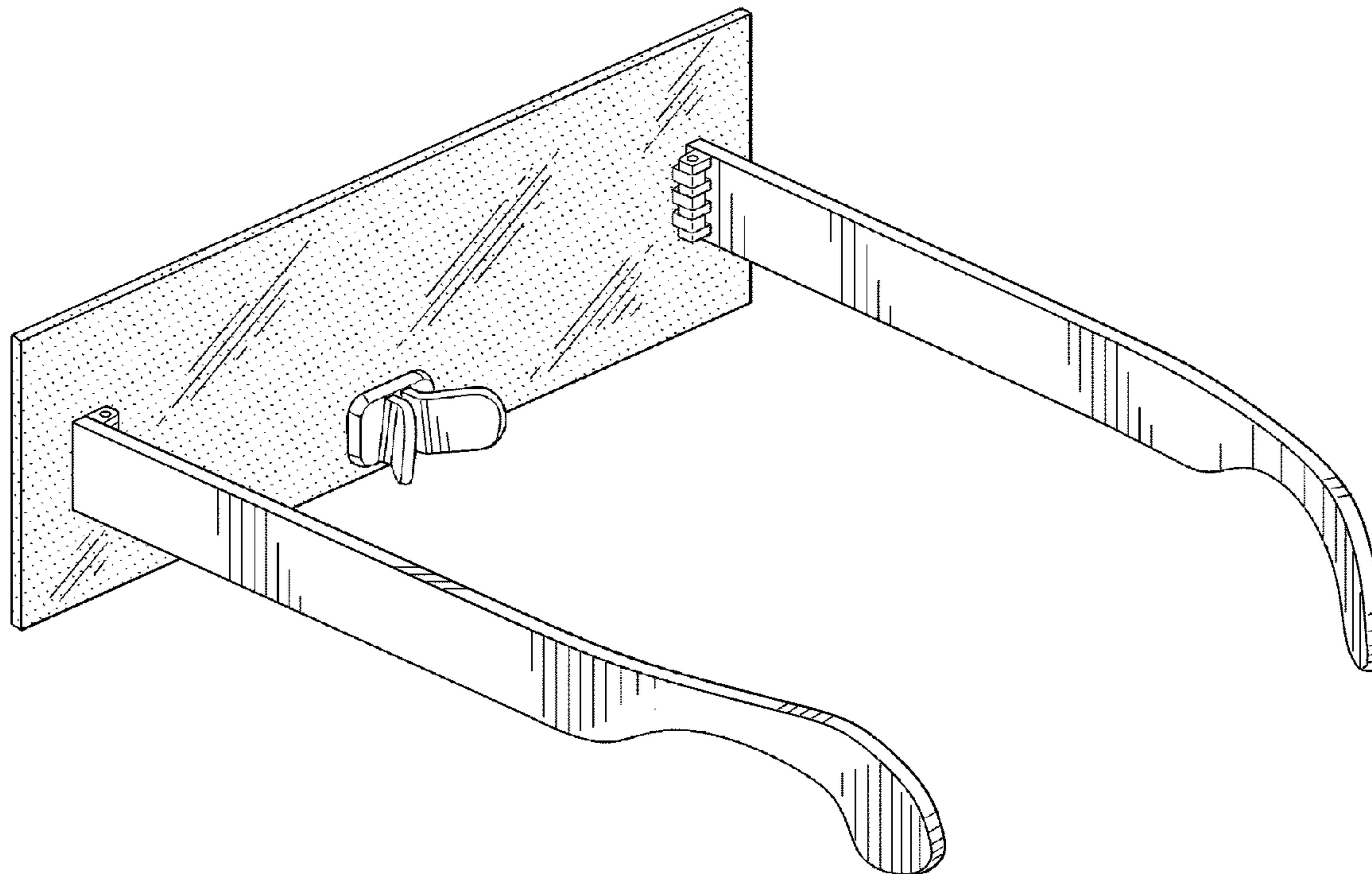
FIG. 3 is a back side elevation view of FIG. 1.

FIG. 4 is a right and left side elevation view, which are identical, of FIG. 1.

FIG. 5 is a top plan view of FIG. 1; and,

FIG. 6 is a bottom plan view of FIG. 1.

**1 Claim, 2 Drawing Sheets**



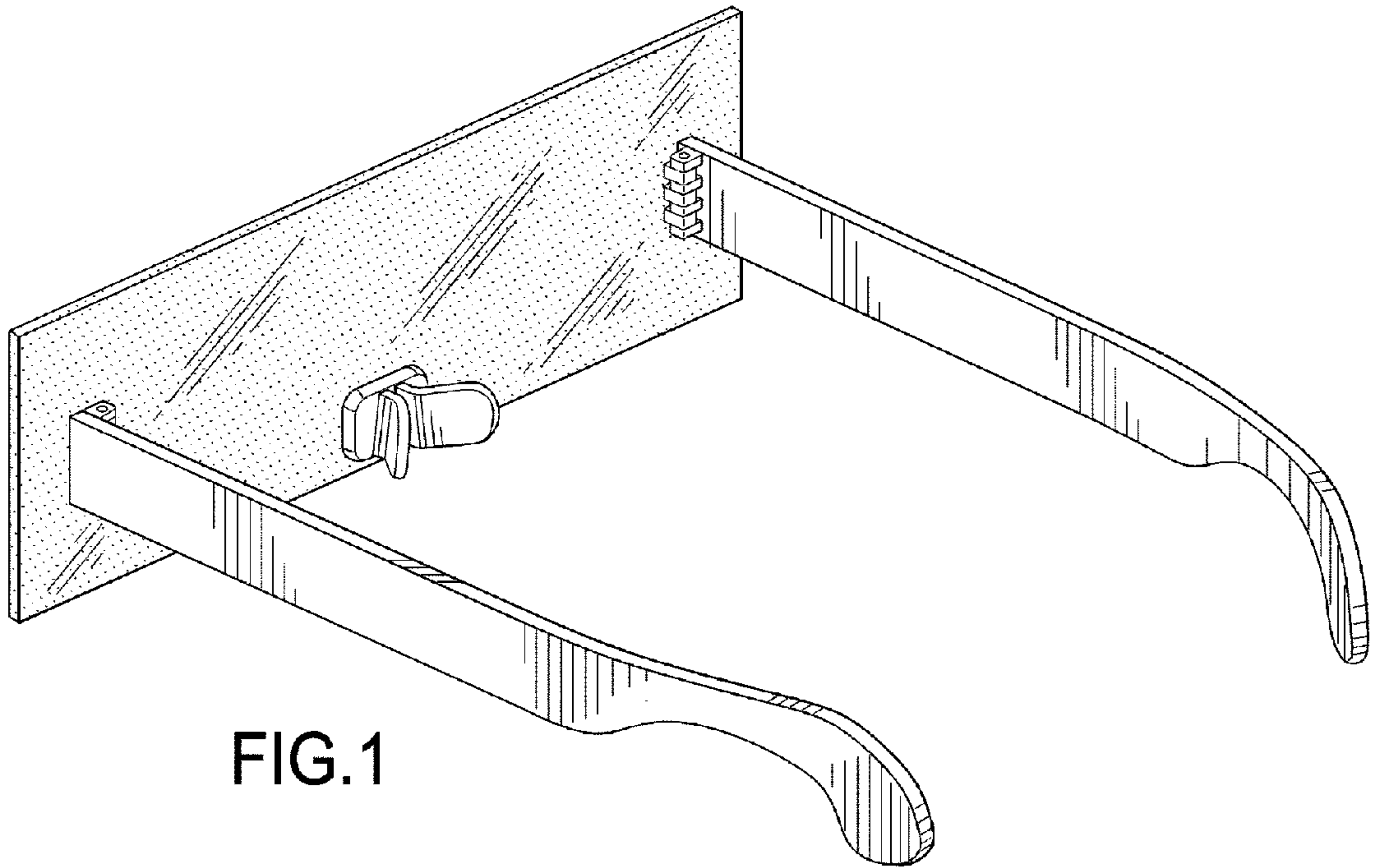


FIG. 2

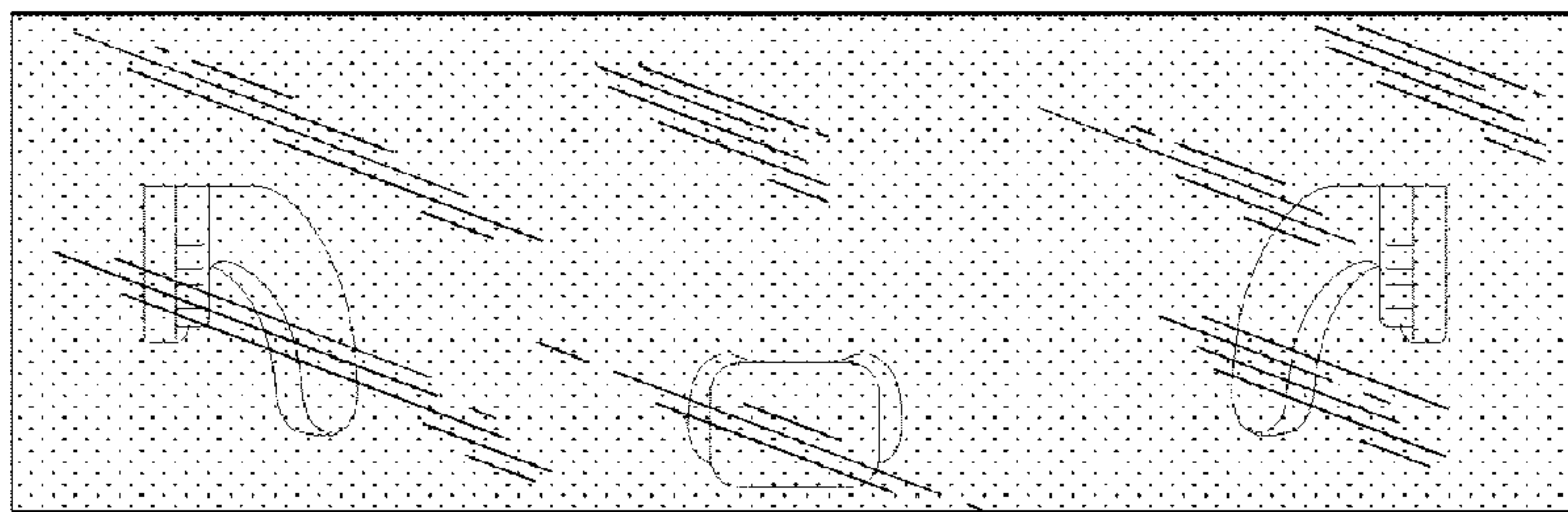


FIG. 3

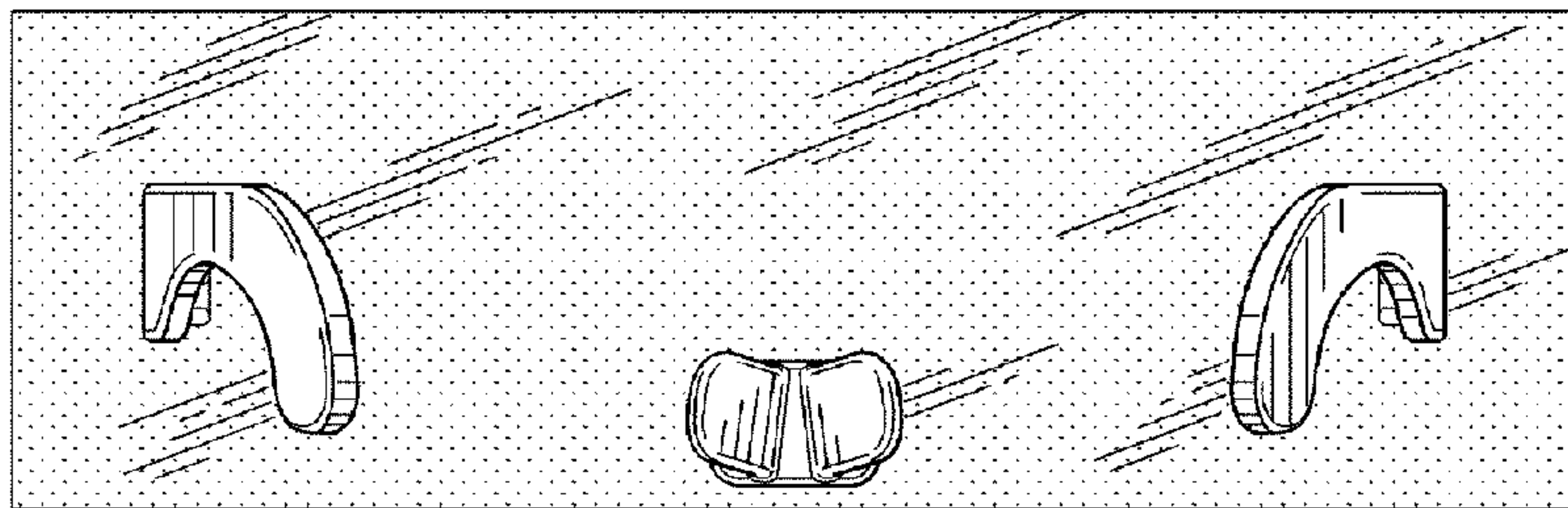
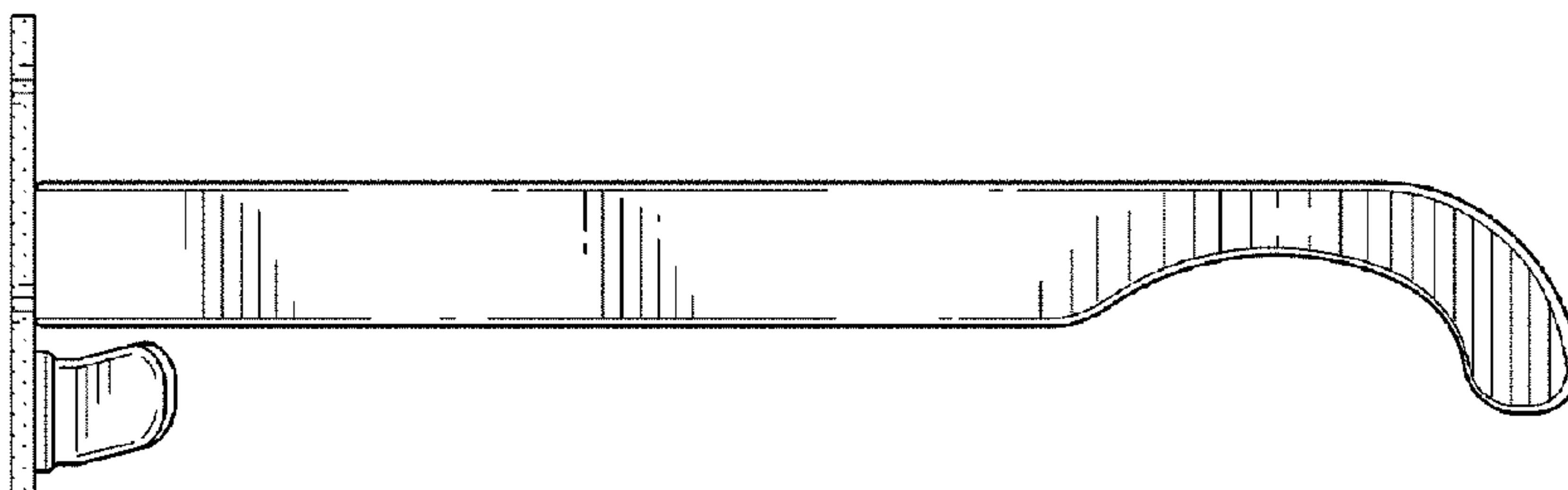


FIG. 4



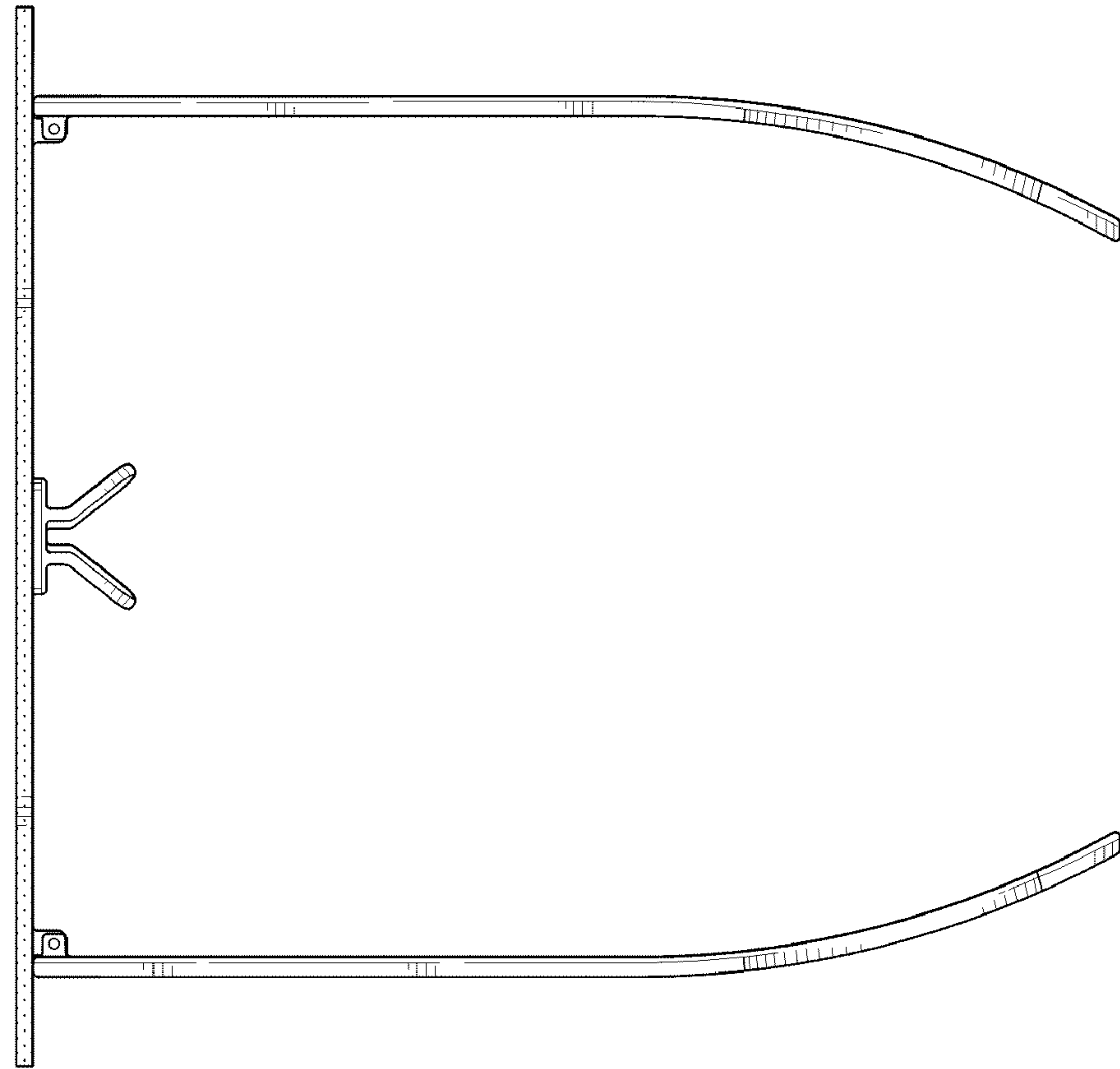


FIG.6

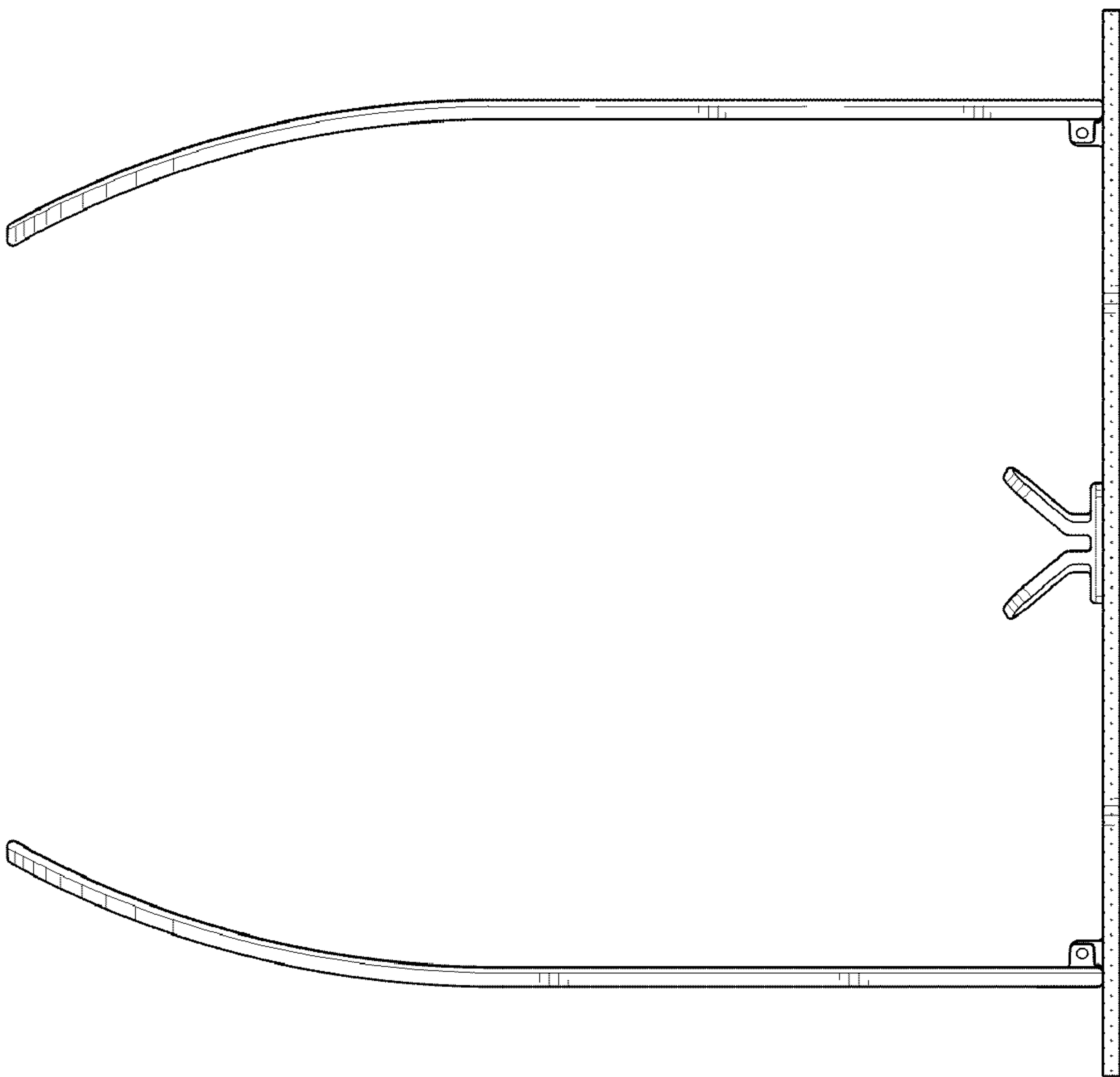


FIG.5