



US00D645892S

(12) **United States Design Patent**  
**Nishi**

(10) **Patent No.:** **US D645,892 S**

(45) **Date of Patent:** **\*\* Sep. 27, 2011**

(54) **LAMP UNIT FOR PROJECTOR**

(75) **Inventor:** **Toshizo Nishi**, Matsumoto (JP)

(73) **Assignee:** **Seiko Epson Corporation**, Tokyo (JP)

(\*\*) **Term:** **14 Years**

(21) **Appl. No.:** **29/379,099**

(22) **Filed:** **Nov. 15, 2010**

(30) **Foreign Application Priority Data**

Aug. 20, 2010 (JP) ..... 2010-020157

(51) **LOC (9) Cl.** ..... **16-02**

(52) **U.S. Cl.** ..... **D16/235**

(58) **Field of Classification Search** ..... D16/221,  
D16/225, 235; D26/1, 24, 28, 36; 352/198,  
352/203; 353/87, 97-98, 119, 61; 362/227,  
362/249.1, 249.01, 274, 241, 294, 234, 368,  
362/430

See application file for complete search history.

(56) **References Cited**

**U.S. PATENT DOCUMENTS**

D574,408 S \* 8/2008 Kobayashi et al. .... D16/235  
D583,849 S \* 12/2008 Uchida ..... D16/235  
D589,997 S \* 4/2009 Hieda et al. .... D16/235

D616,482 S \* 5/2010 Nishi et al. .... D16/235  
D616,912 S \* 6/2010 Sasaki ..... D16/235  
D630,237 S \* 1/2011 Inui et al. .... D16/235  
2009/0225282 A1 \* 9/2009 Matsumiya et al. .... 362/362  
2010/0253924 A1 \* 10/2010 Nishi et al. .... 362/218

\* cited by examiner

*Primary Examiner* — Ian Simmons

*Assistant Examiner* — Wan Laymon

(74) *Attorney, Agent, or Firm* — Oliff & Berridge, PLC

(57) **CLAIM**

The ornamental design for a lamp unit for projector, as shown and described.

**DESCRIPTION**

FIG. 1 is a top, front and left side perspective view of a lamp unit for a projector;

FIG. 2 is a bottom, rear and right side perspective view thereof;

FIG. 3 is front view thereof;

FIG. 4 is a rear view thereof;

FIG. 5 is a left side view thereof;

FIG. 6 is a right side view thereof;

FIG. 7 is a top view thereof; and,

FIG. 8 is a bottom view thereof.

The broken lines depict environmental subject matter only and form no part of the claimed design.

**1 Claim, 4 Drawing Sheets**

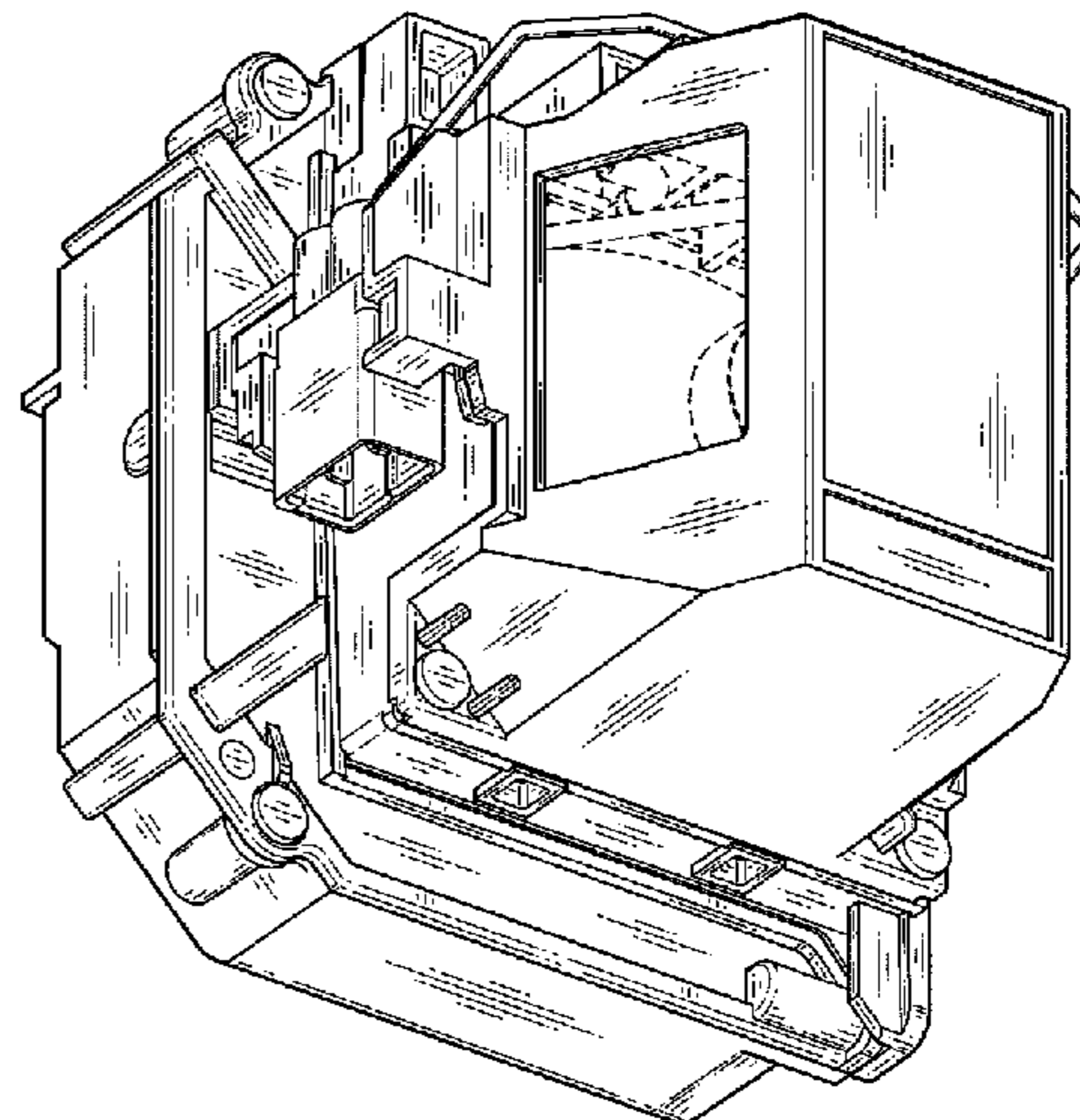
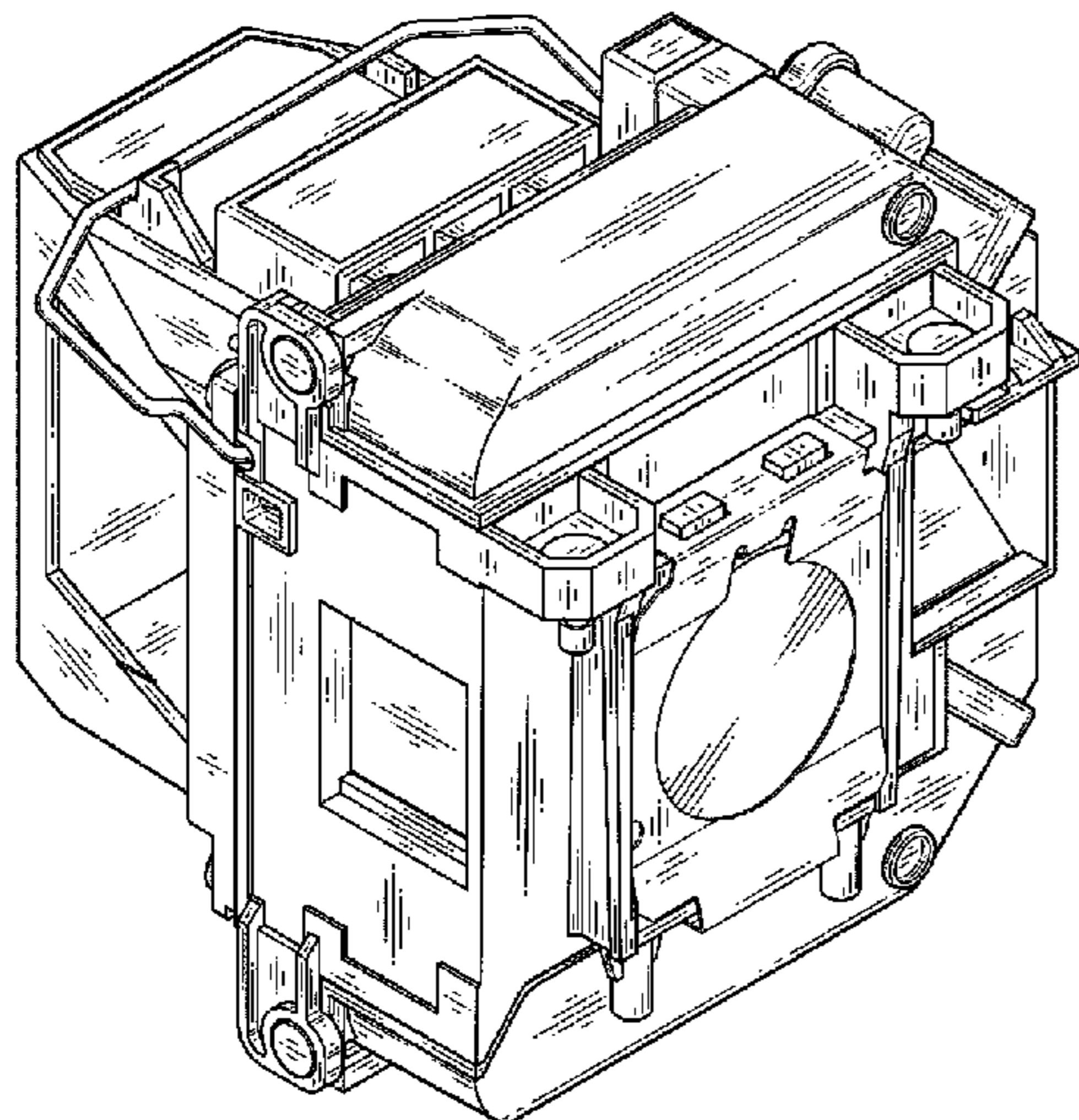


FIG. 1

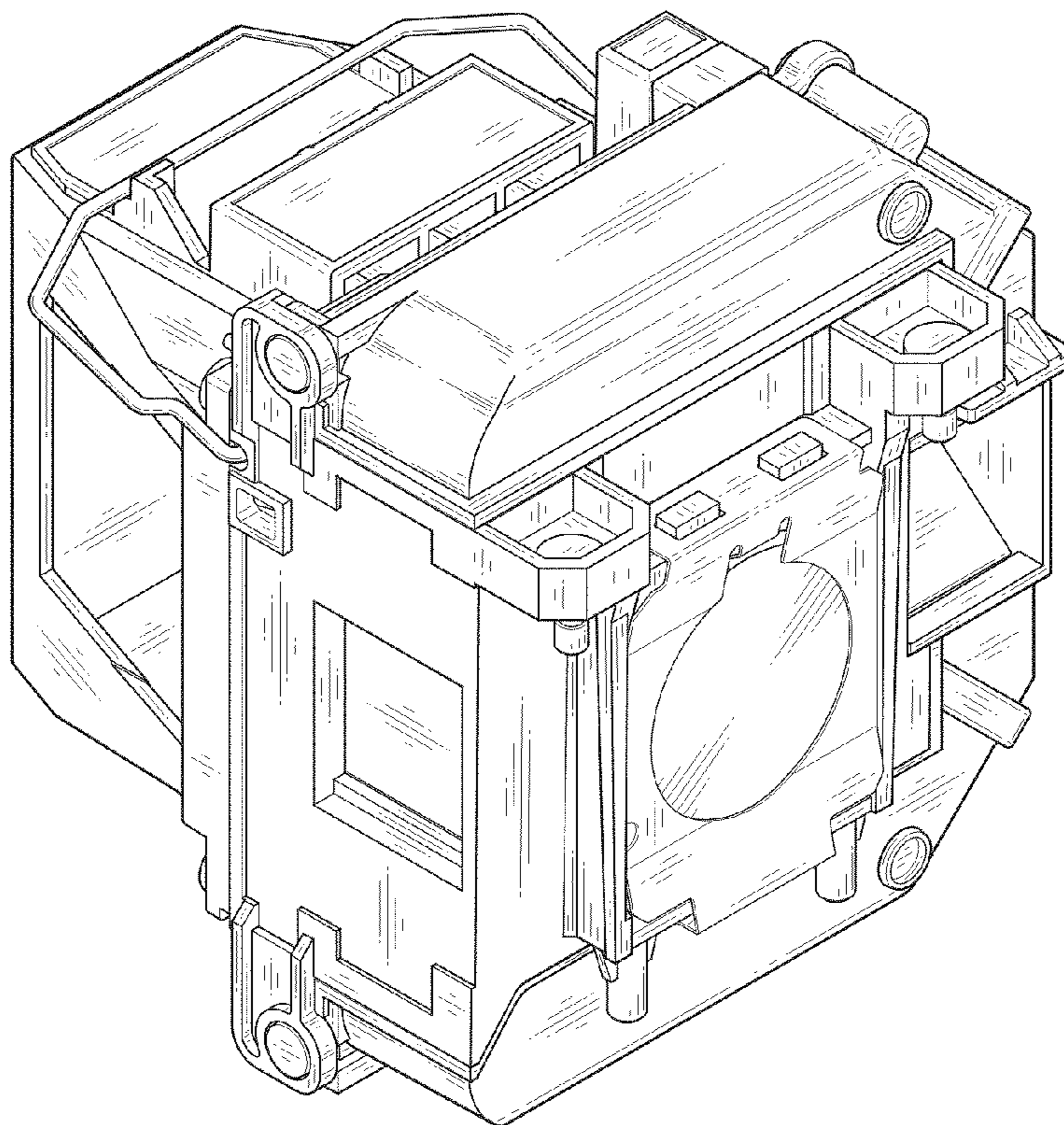


FIG. 2

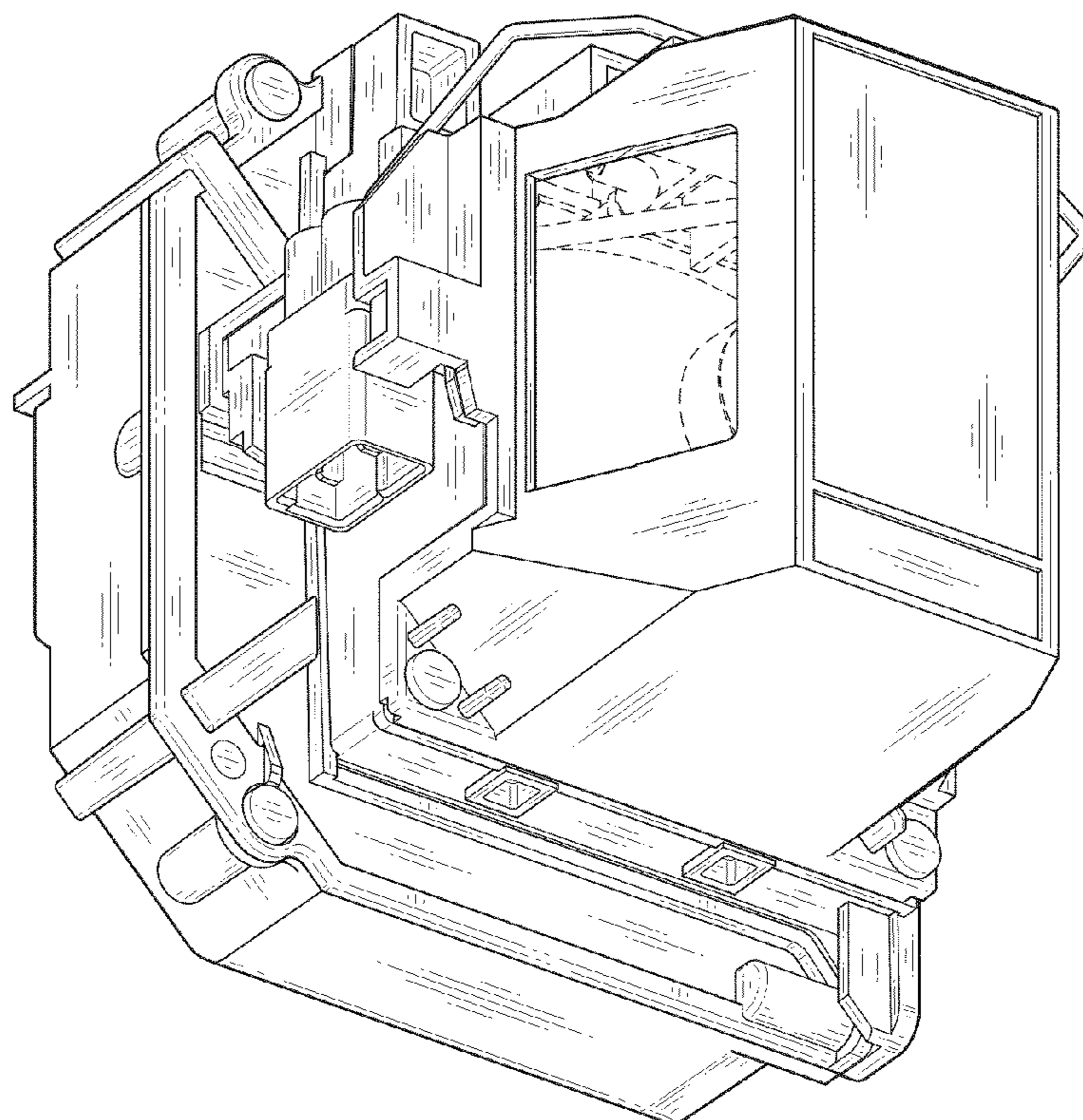


FIG. 3

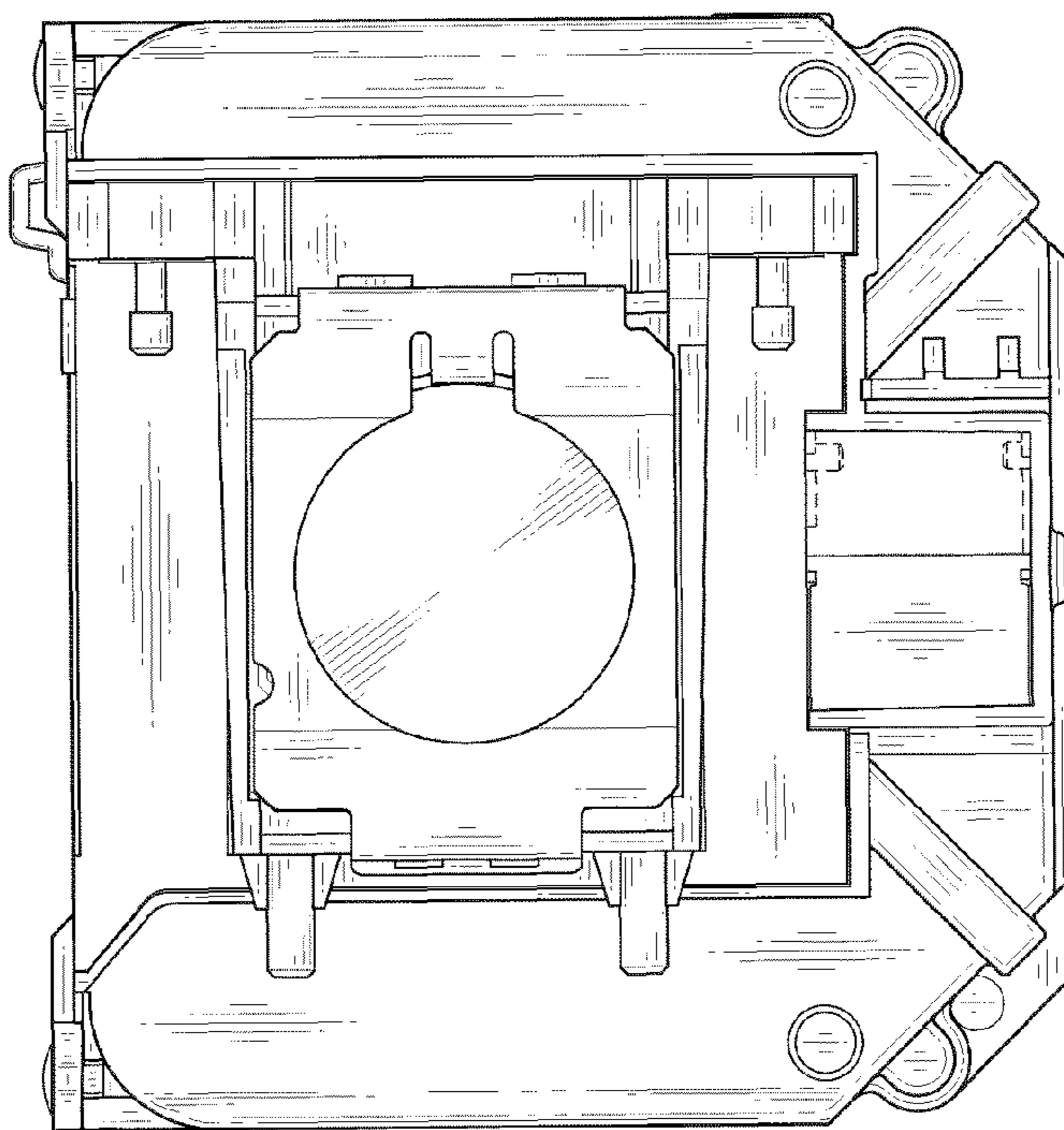


FIG. 4

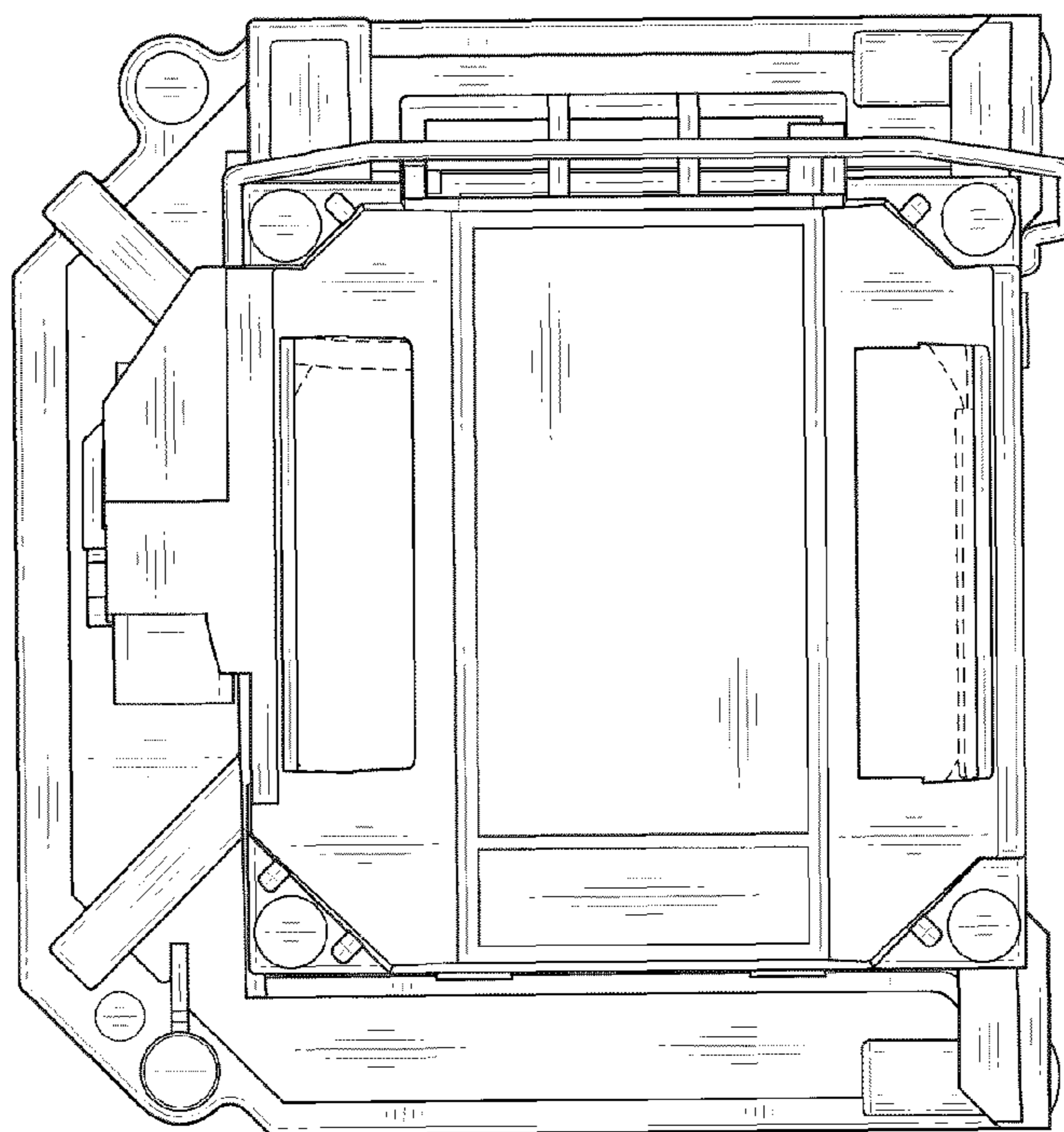


FIG. 5

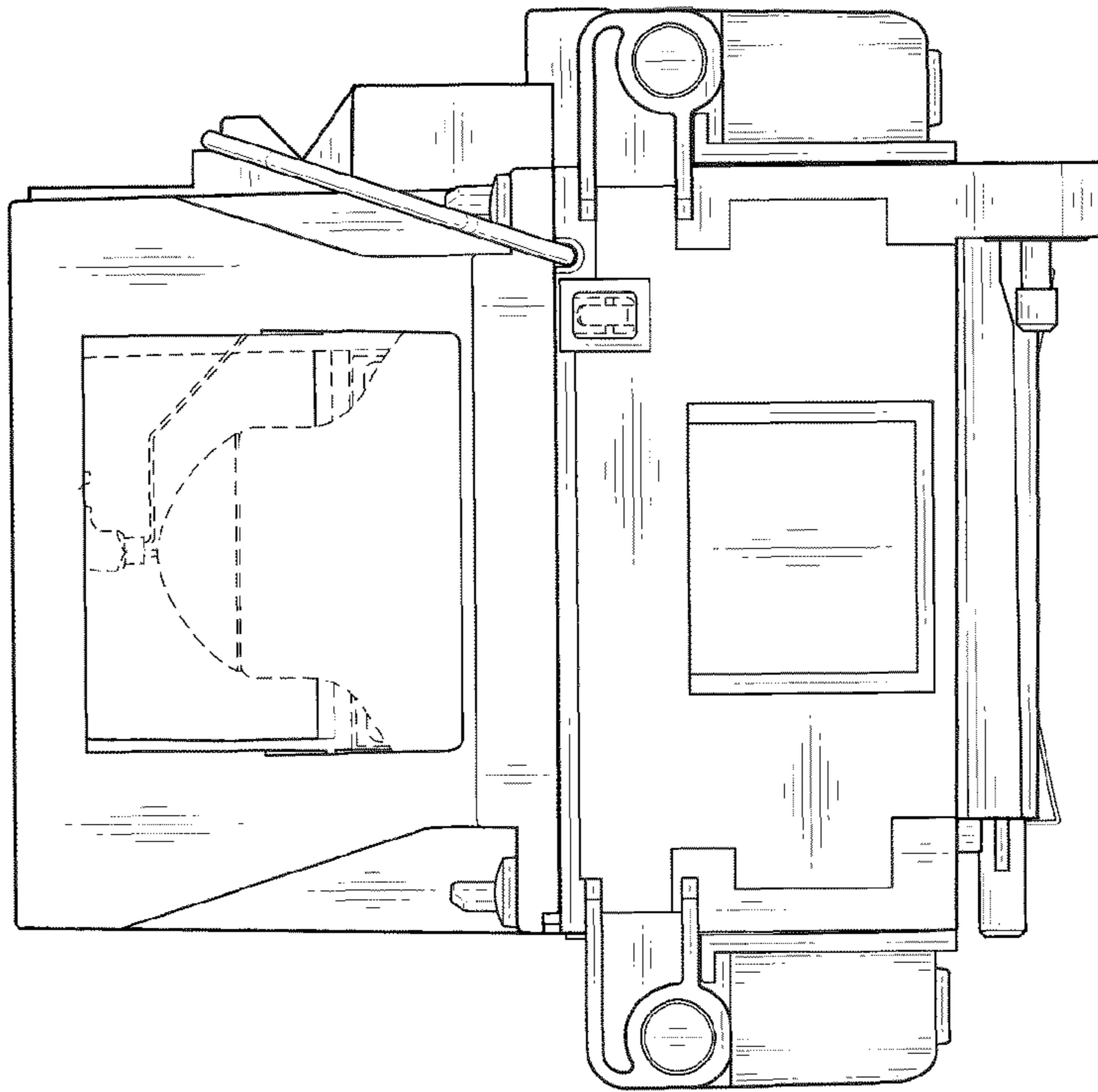


FIG. 6

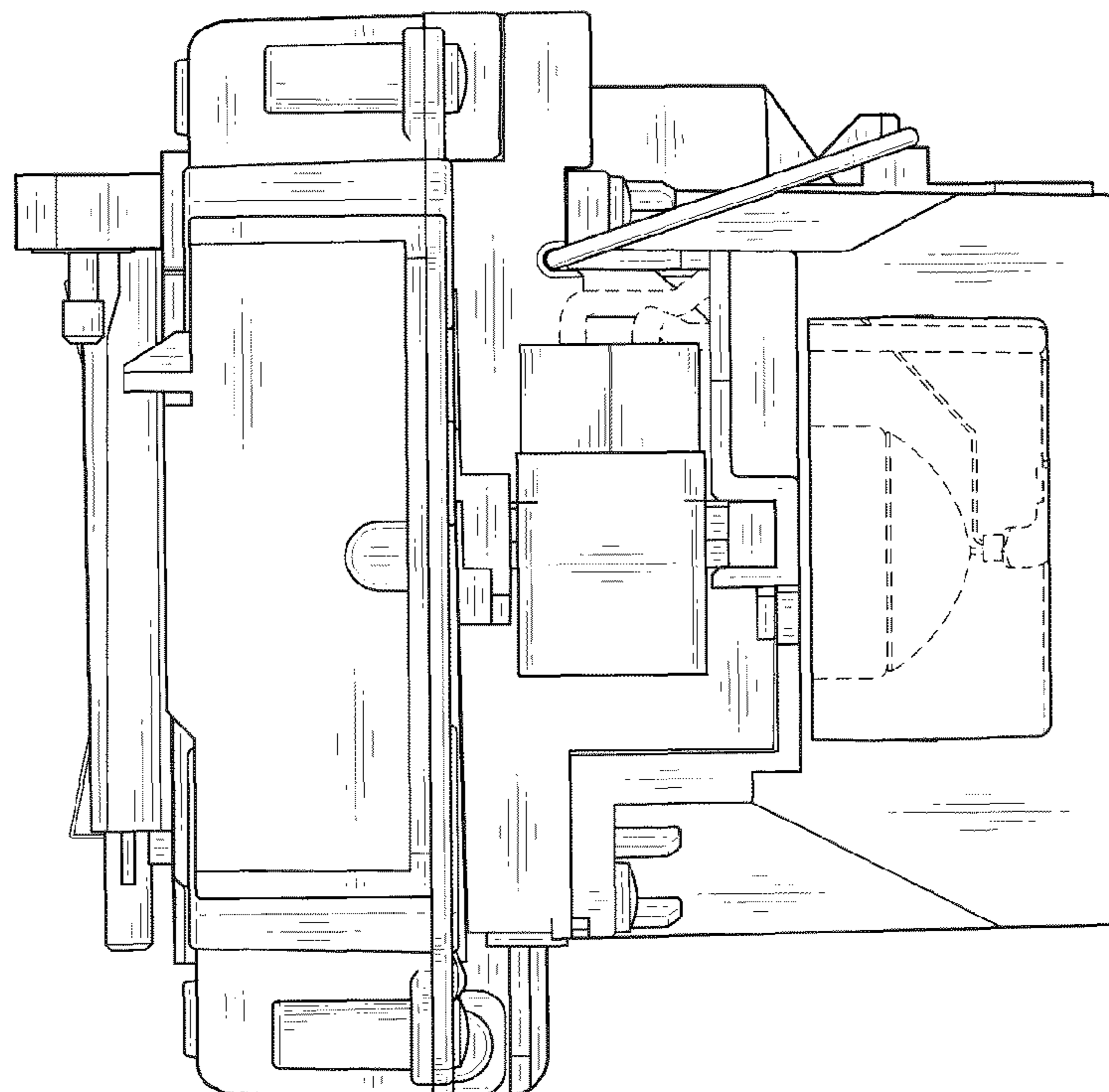


FIG. 7

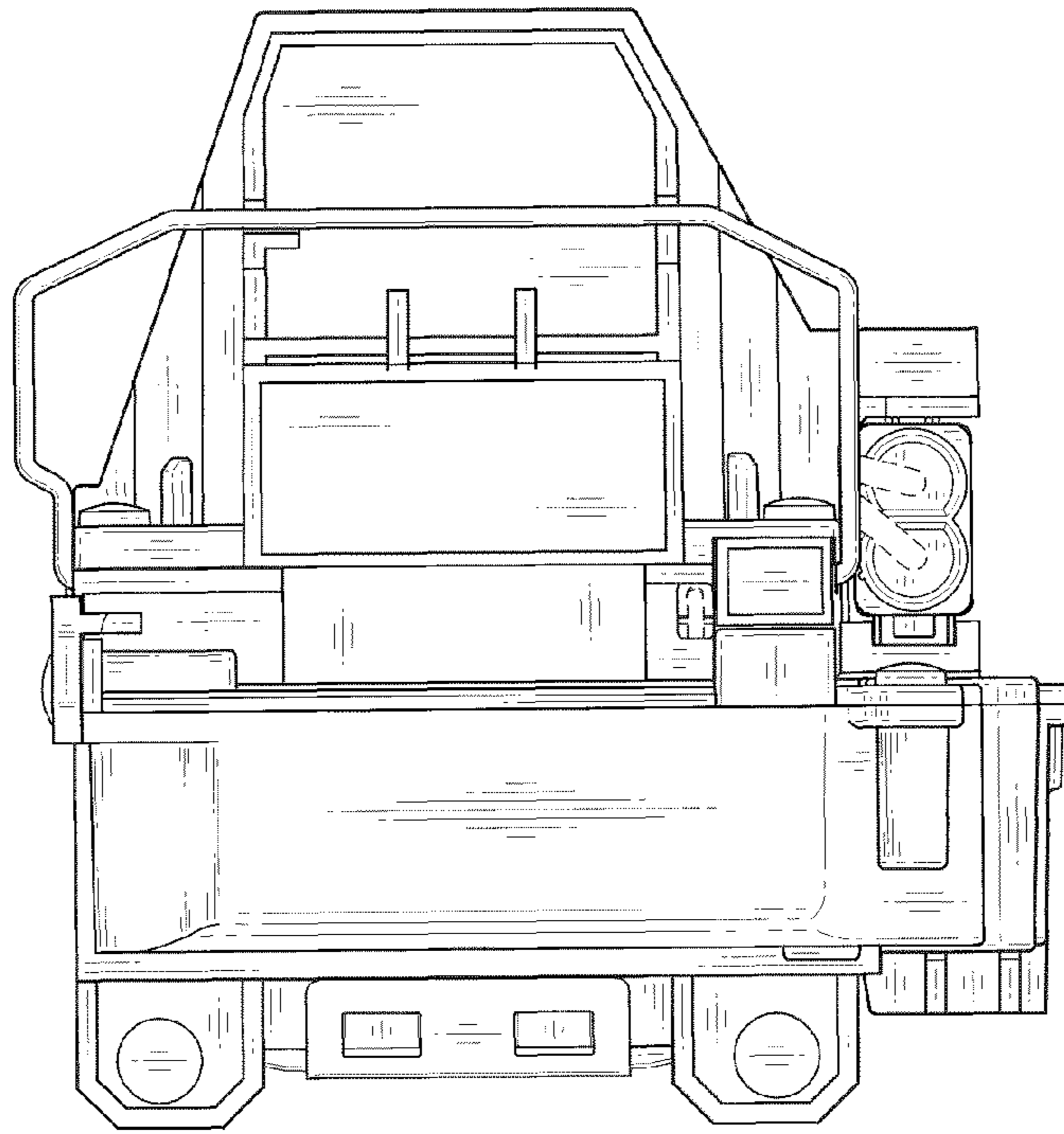


FIG. 8

