



US00D645891S

(12) **United States Design Patent**
Kim et al.

(10) **Patent No.:** **US D645,891 S**

(45) **Date of Patent:** **** Sep. 27, 2011**

(54) **VIDEO CONFERENCE CAMERA**

(75) Inventors: **Yoo Seok Kim**, Seoul (KR); **Kyoung
Joung Kim**, Seongnam-si (KR); **Young
Hun Jang**, Seoul (KR); **Young Kook
Seo**, Bucheon-si (JP); **Hye Young Hong**,
Seoul (KR)

(73) Assignee: **LG Electronics Inc.**, Seoul (KR)

(**) Term: **14 Years**

(21) Appl. No.: **29/381,520**

(22) Filed: **Dec. 20, 2010**

(30) **Foreign Application Priority Data**

Jul. 5, 2010 (KR) 30-2010-0029444

(51) **LOC (9) Cl.** **16-01**

(52) **U.S. Cl.** **D16/202; D16/203**

(58) **Field of Classification Search** D16/200–205,
D16/208, 218, 242; 348/14.01–14.1, 143,
348/373–376; 358/909.1; 396/427, 535–541
See application file for complete search history.

(56) **References Cited**

U.S. PATENT DOCUMENTS

6,437,826 B1 * 8/2002 Arnold 396/419
D500,511 S * 1/2005 Sybilrud D16/242
7,202,904 B2 * 4/2007 Wei 348/373

D558,250 S * 12/2007 Hsia D16/203
D571,839 S * 6/2008 Andresen D16/202
D594,497 S * 6/2009 Hatori et al. D16/202
D616,007 S * 5/2010 Teppan et al. D16/203
D636,421 S * 4/2011 Sagen et al. D16/202

OTHER PUBLICATIONS

The Korean Herald, Jun. 10, 2010, "LG enters videoconferencing
market", <http://www.koreaherald.com/national/Detail.jsp?newsMLId=20100610000718>.

Newstomato, Jun. 10, 2010, http://news.etomato.com/news/etomato_news_read.asp?no=97732.

* cited by examiner

Primary Examiner — Adir Aronovich

(74) *Attorney, Agent, or Firm* — Birch, Stewart, Kolasch &
Birch, LLP

(57) **CLAIM**

We claim the ornamental design for a video conference cam-
era, as shown and described.

DESCRIPTION

FIG. 1 is a perspective view of a video conference camera
showing our new design:

FIG. 2 is a front elevation view thereof;

FIG. 3 is a rear elevation view thereof;

FIG. 4 is a left-side elevation view thereof;

FIG. 5 is a right-side elevation view thereof;

FIG. 6 is a top plan view thereof; and,

FIG. 7 is a bottom plan view thereof.

1 Claim, 4 Drawing Sheets

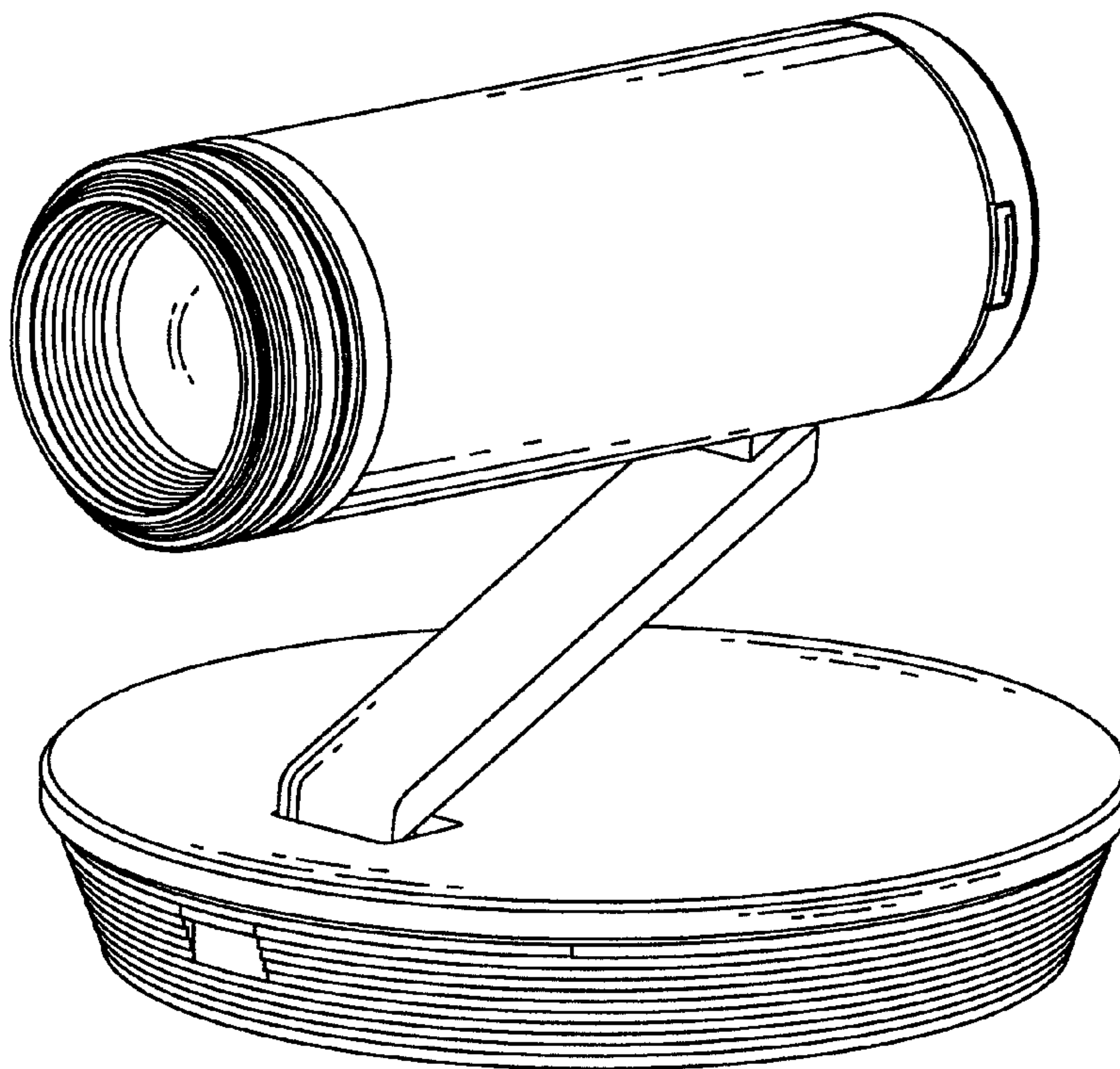


FIG. 1

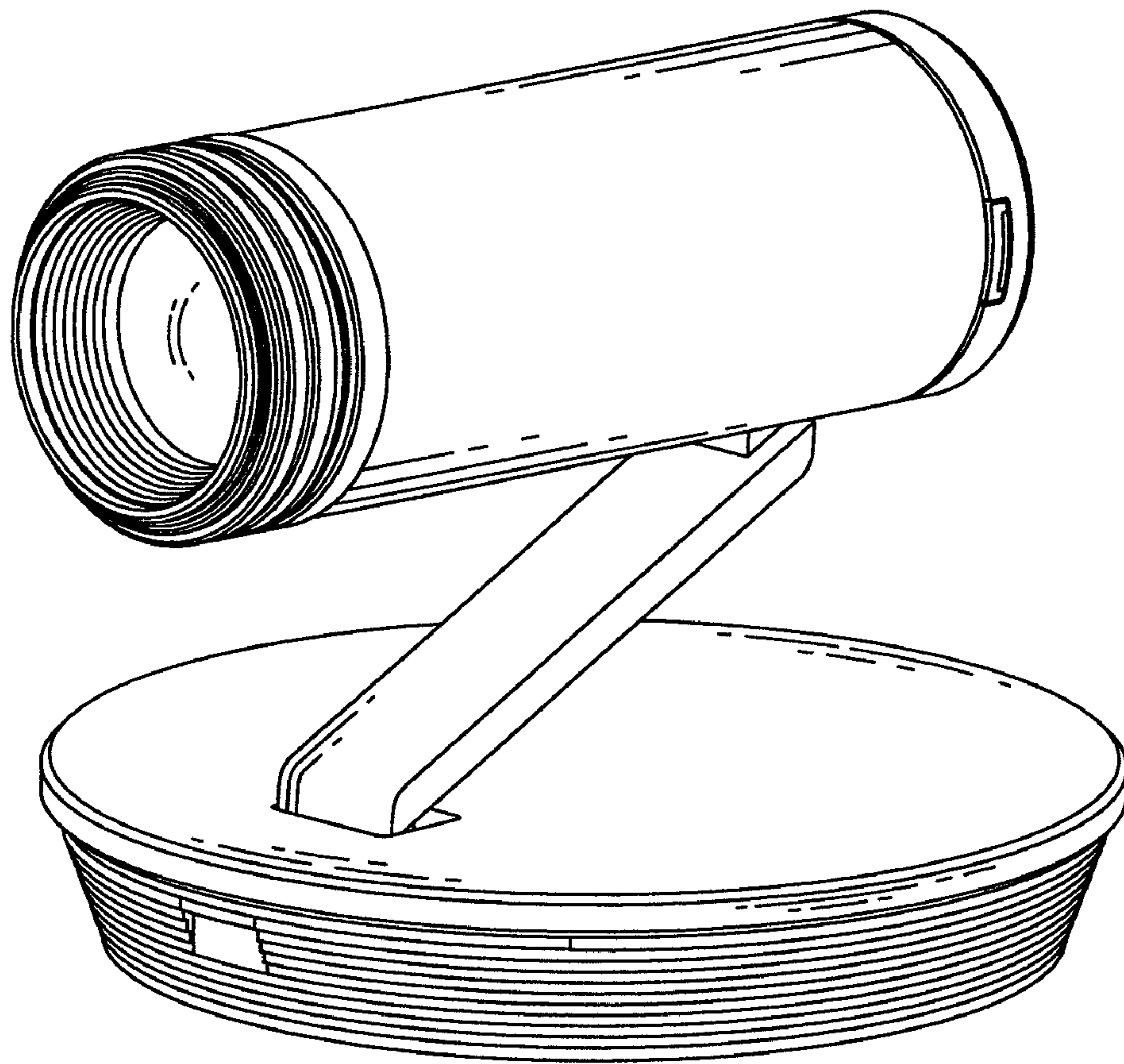


FIG. 2

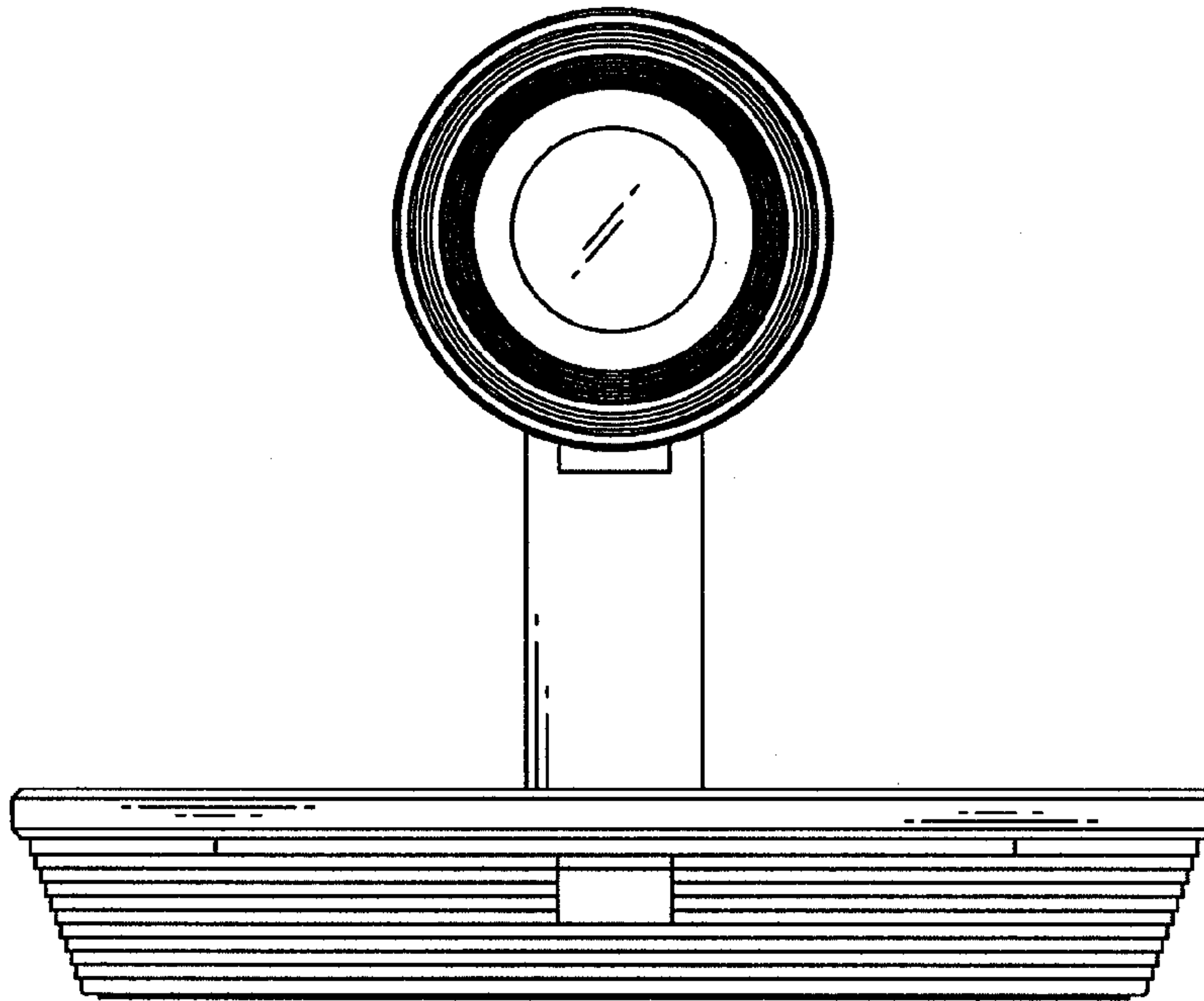


FIG. 3

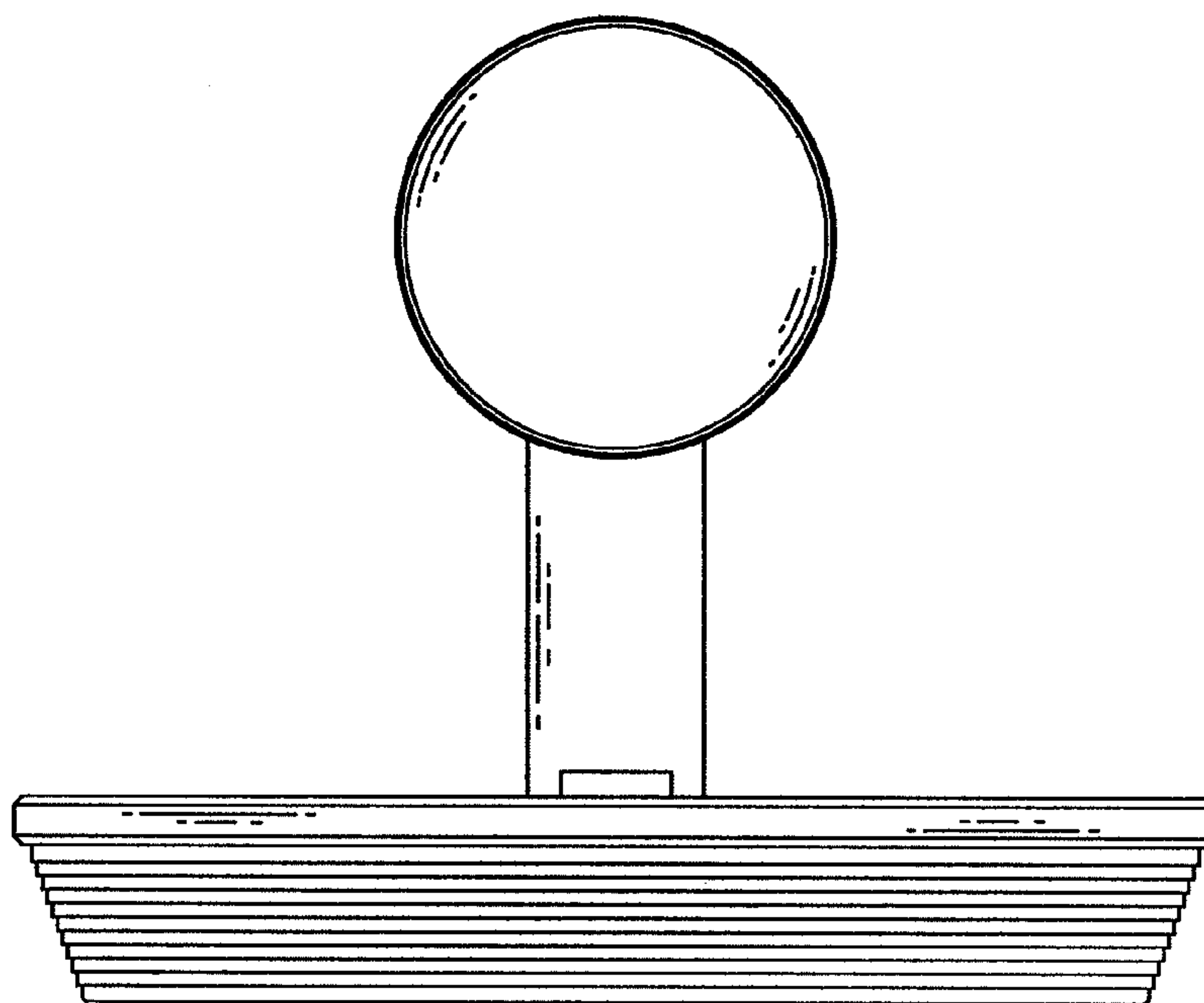


FIG. 4

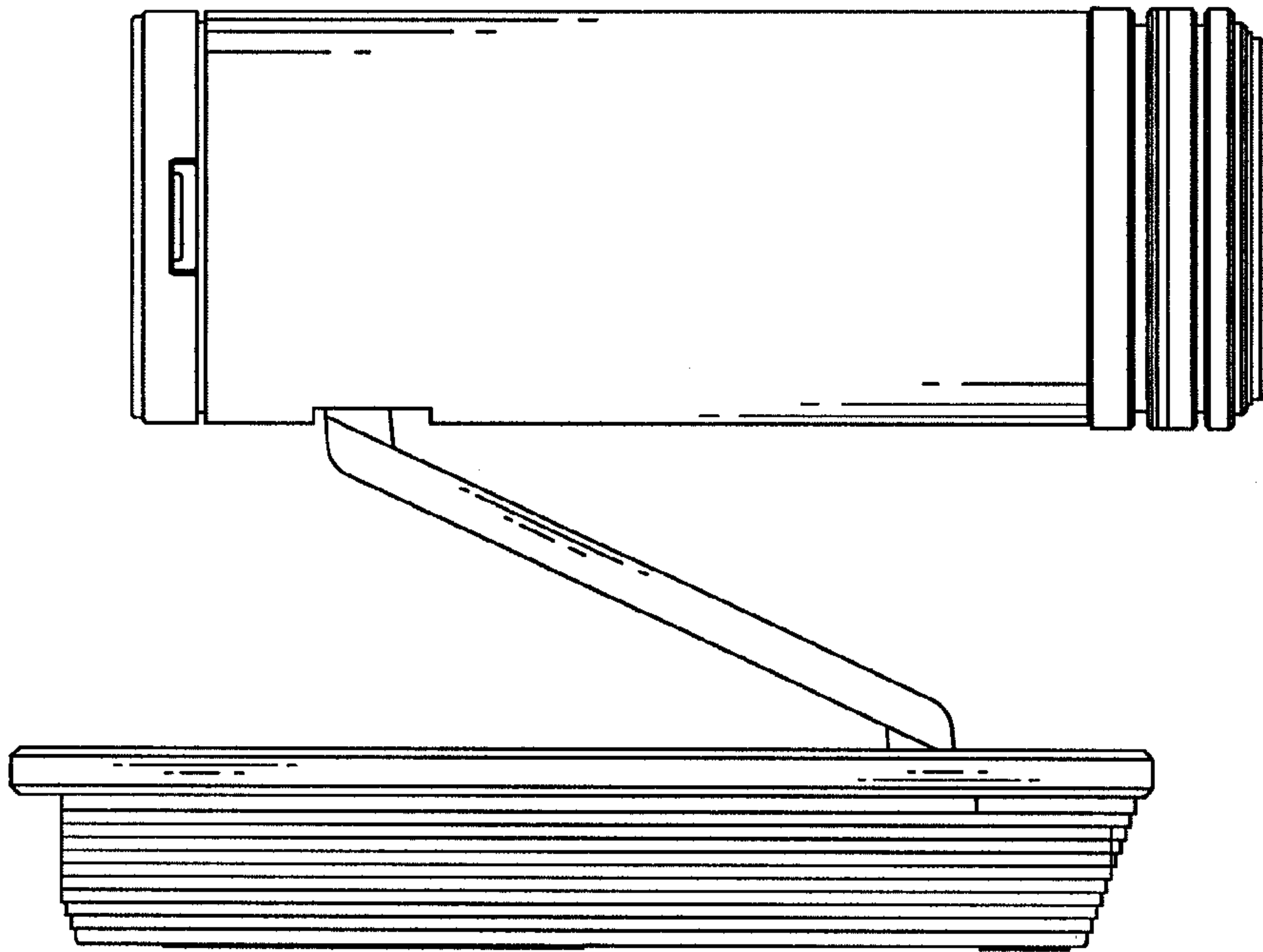


FIG. 5

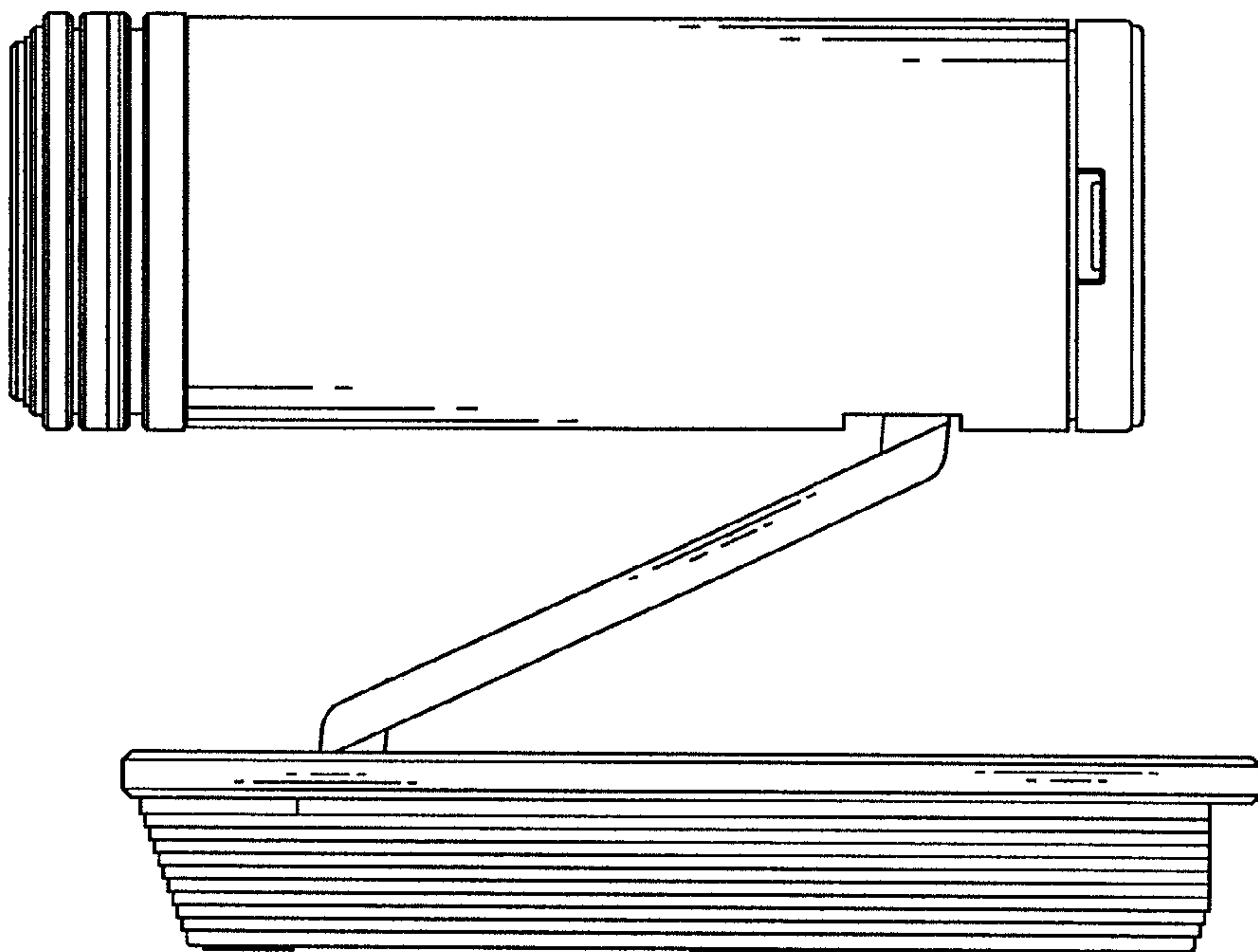


FIG. 6

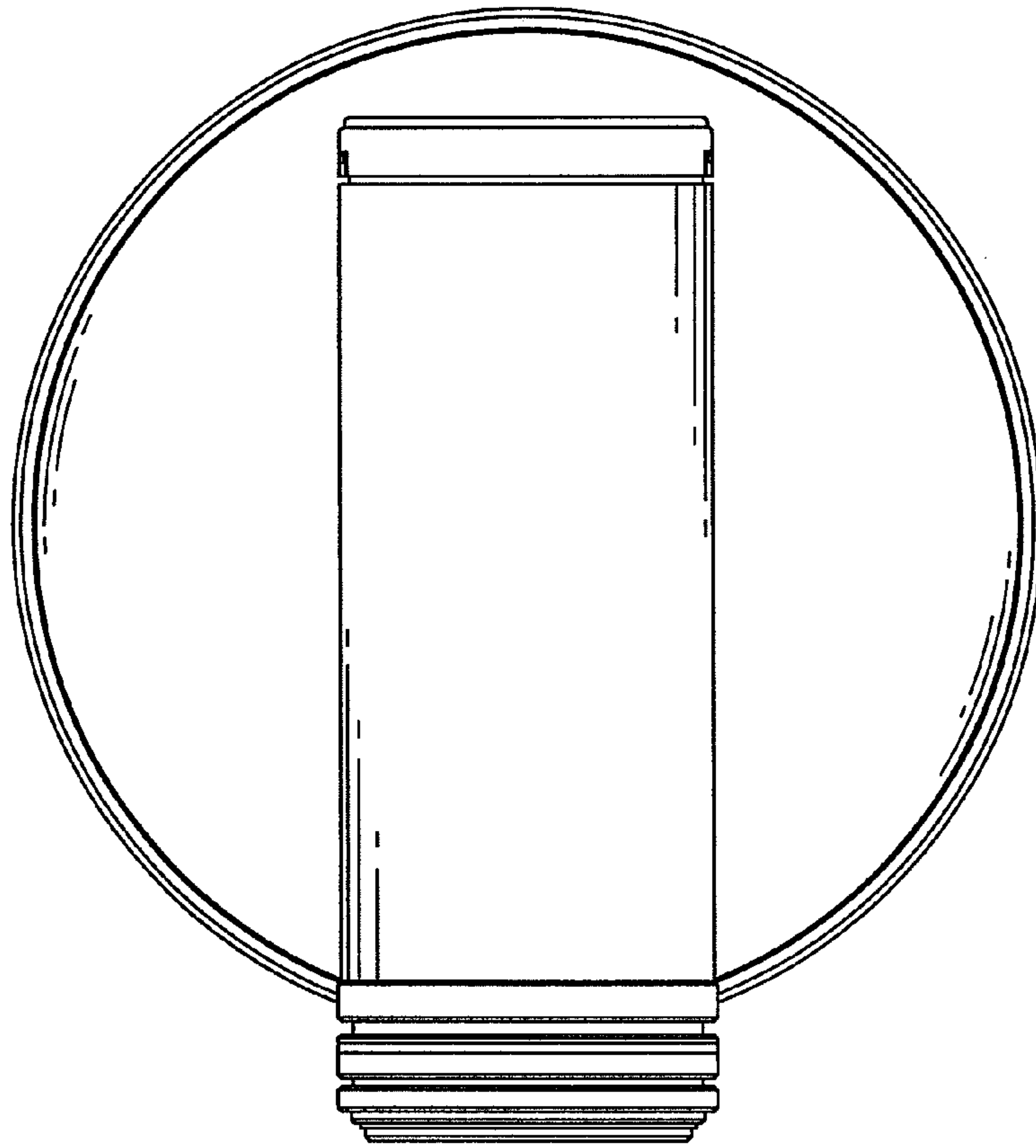


FIG. 7

