



US00D645888S

(12) **United States Design Patent**  
**Chen et al.**

(10) **Patent No.:** **US D645,888 S**

(45) **Date of Patent:** **\*\* Sep. 27, 2011**

(54) **TRIGGER GRIP**

(75) Inventors: **Chi-Yuan Chen**, Taipei (TW);  
**Noriyoshi Nagaki**, Osaka (JP)

(73) Assignees: **Yasuharu Nagaki**, Osaka (JP); **James Ke Liu**, Ontario, CA (US)

(\*\*) Term: **14 Years**

(21) Appl. No.: **29/371,491**

(22) Filed: **Mar. 22, 2011**

(51) **LOC (9) Cl.** ..... **15-09**

(52) **U.S. Cl.** ..... **D15/138; D15/199**

(58) **Field of Classification Search** ..... D3/207;  
D7/387, 213; D8/18, 70, 80, 94; D9/434,  
D9/438, 445, 447, 448, 455, 456; D15/138,  
D15/199; D23/226; D24/108, 112, 127,  
D24/145; 74/490.01, 490.02, 490.03, 490.05;  
219/124.34, 639; 222/320, 391; 220/268,  
220/269, 915; 294/30, 99.1, 902; 318/560,  
318/568.13; 606/1, 130, 180; 700/99, 150  
See application file for complete search history.

(56) **References Cited**

**U.S. PATENT DOCUMENTS**

D269,681 S \* 7/1983 Morser et al. .... D15/199  
5,822,900 A \* 10/1998 Armstrong ..... 40/473

5,857,723 A \* 1/1999 Mathieu et al. .... 294/19.1  
D449,057 S \* 10/2001 Selic et al. .... D15/199  
D569,886 S \* 5/2008 Larsson et al. .... D15/199  
D607,477 S \* 1/2010 Suarez et al. .... D15/199  
2005/0142515 A1 \* 6/2005 Levy et al. .... 433/114  
2005/0188587 A1 \* 9/2005 Danas ..... 42/72  
2010/0006674 A1 \* 1/2010 Stenborg ..... 239/528  
2010/0187842 A1 \* 7/2010 Buzby et al. .... 294/19.1  
2010/0191255 A1 \* 7/2010 Crainich et al. .... 606/142

\* cited by examiner

*Primary Examiner* — Patricia Palasik

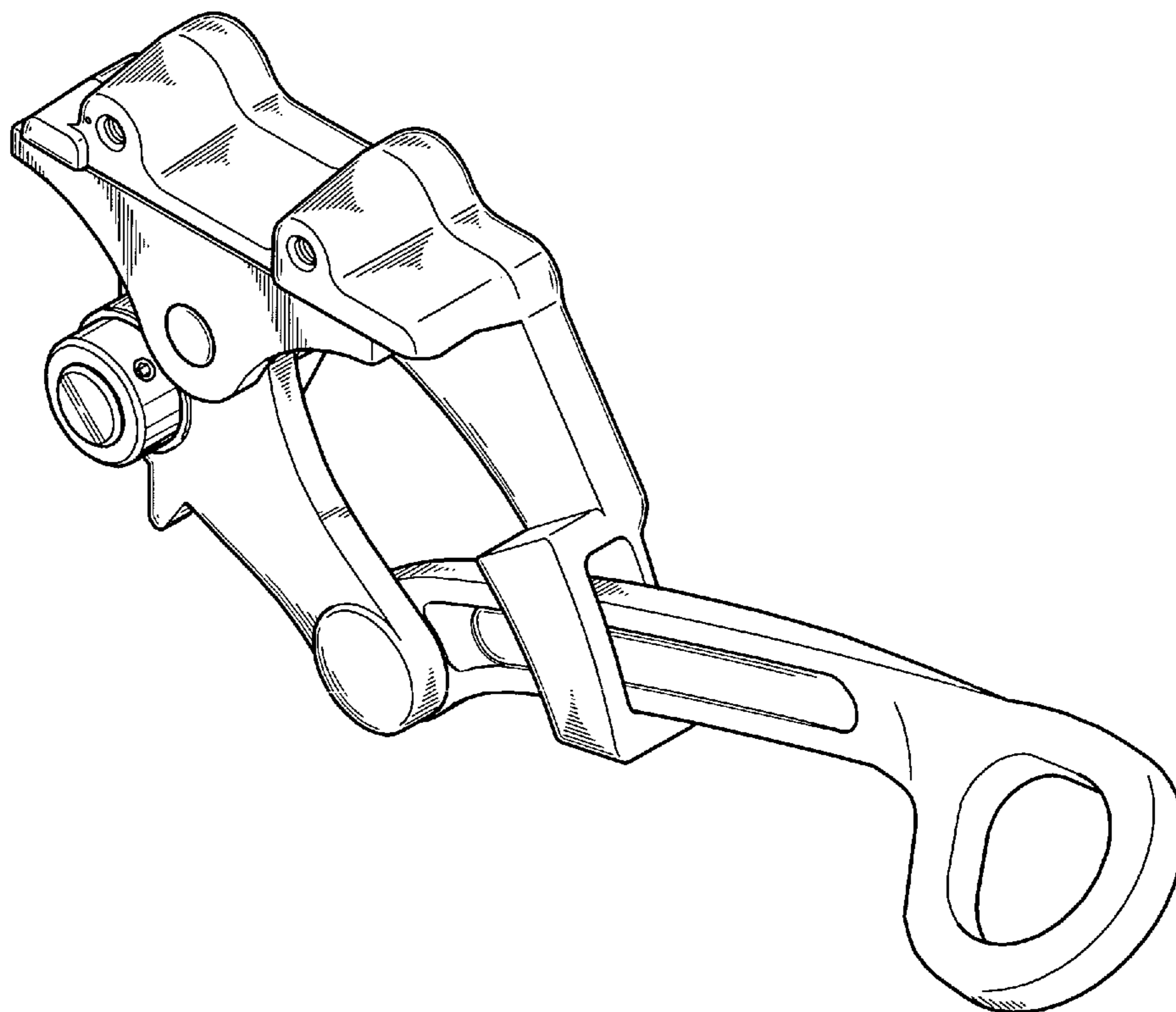
(57) **CLAIM**

The ornamental design for a trigger grip, as shown and described.

**DESCRIPTION**

FIG. 1 is a perspective view of the trigger grip of this invention;  
FIG. 2 is a front view thereof;  
FIG. 3 is a rear view thereof;  
FIG. 4 is a left view thereof;  
FIG. 5 is a right view thereof;  
FIG. 6 is a top view thereof;  
FIG. 7 is a bottom view thereof; and,  
FIG. 8 is a perspective view of the trigger grip of this invention illustrating the trigger grip ready for gripping.

**1 Claim, 5 Drawing Sheets**



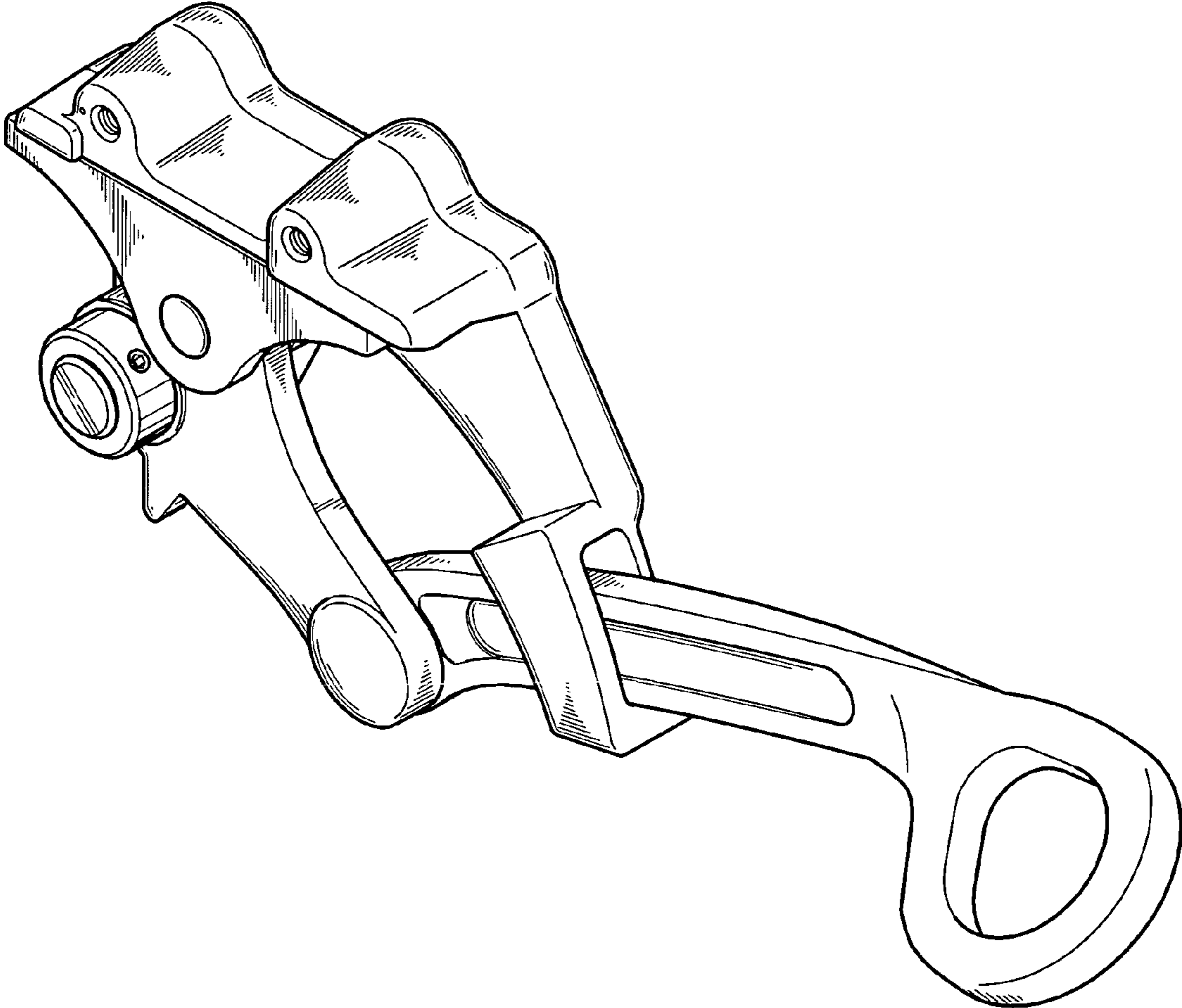


FIG.1

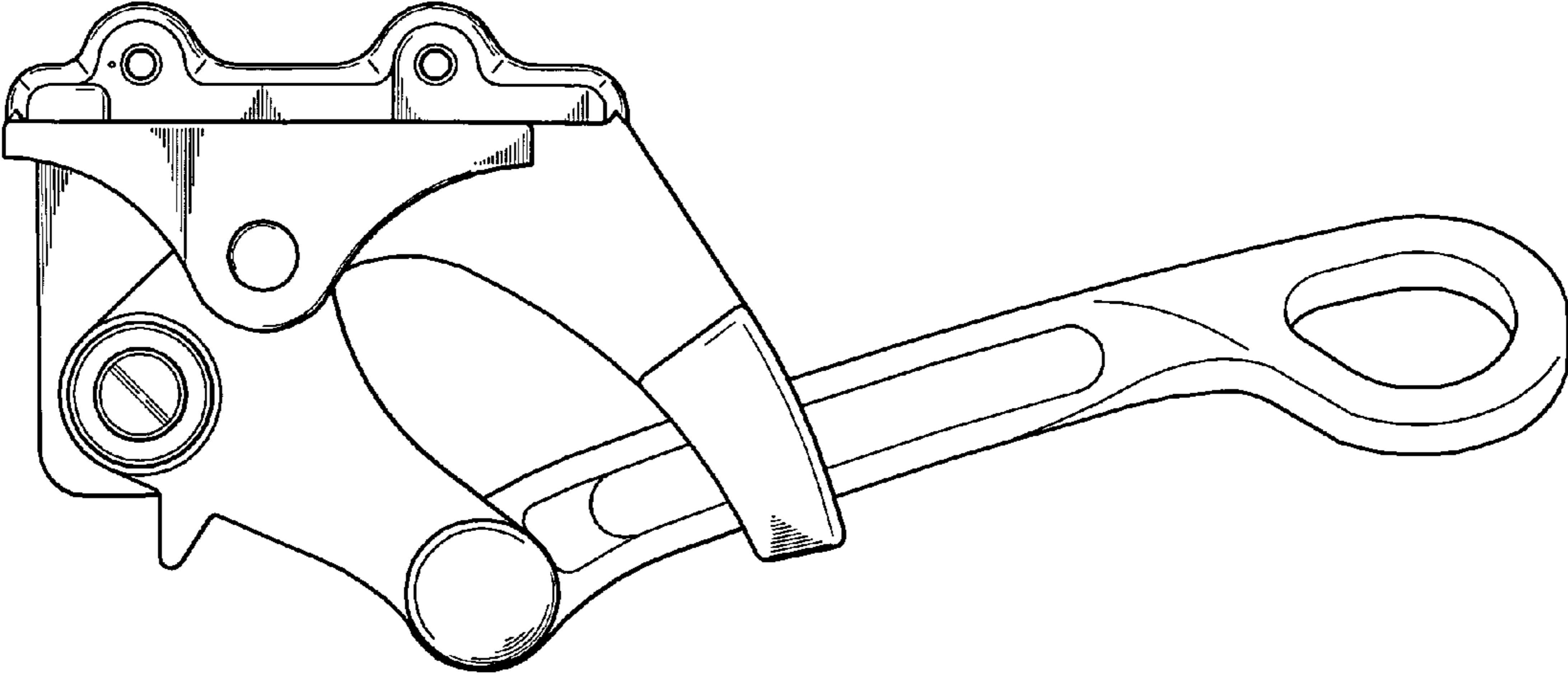


FIG. 2

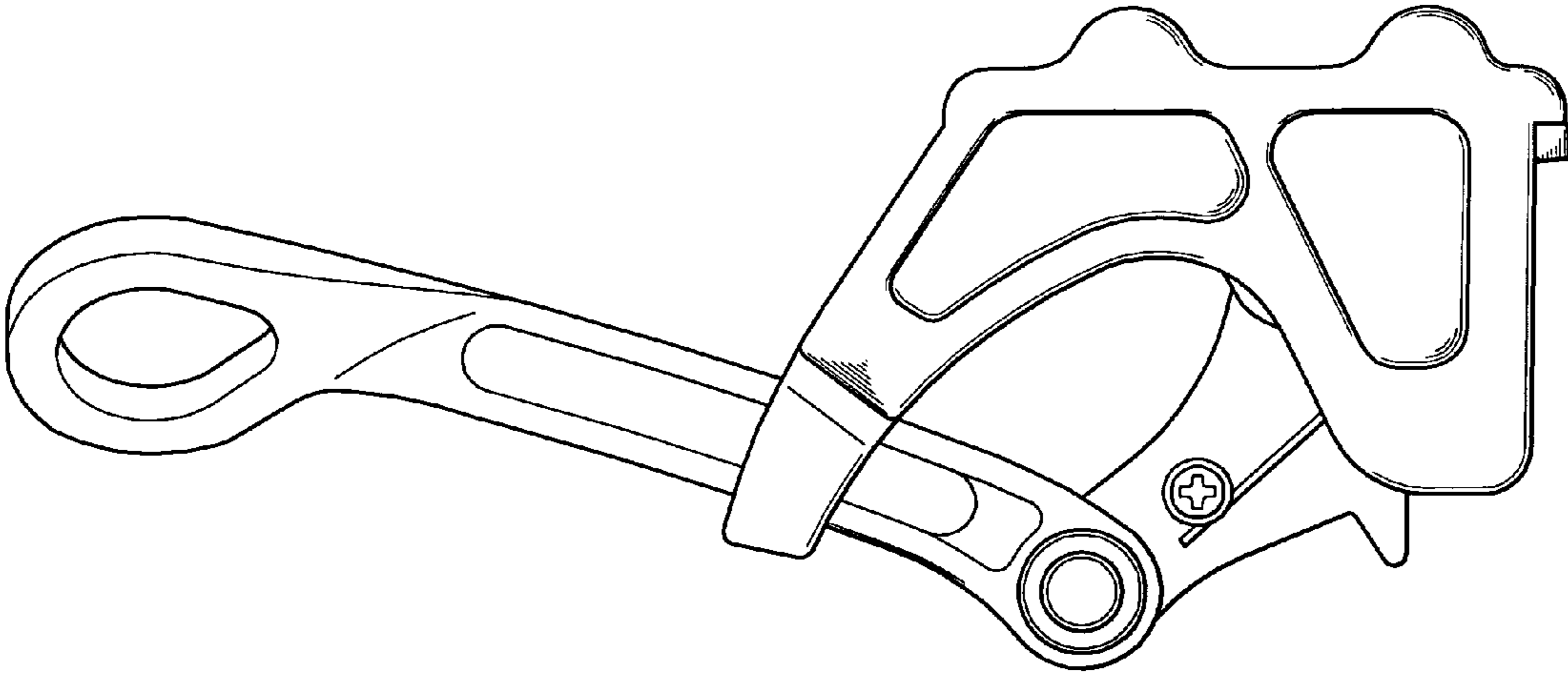


FIG. 3

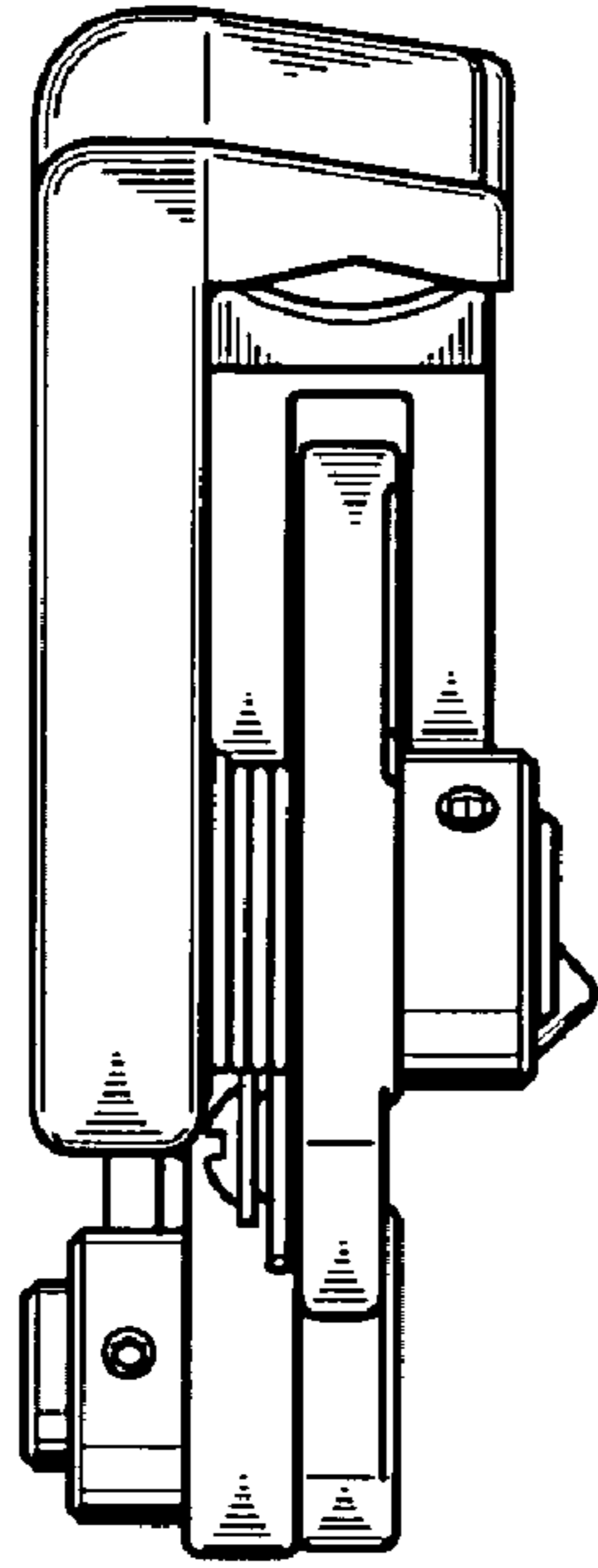


FIG. 4

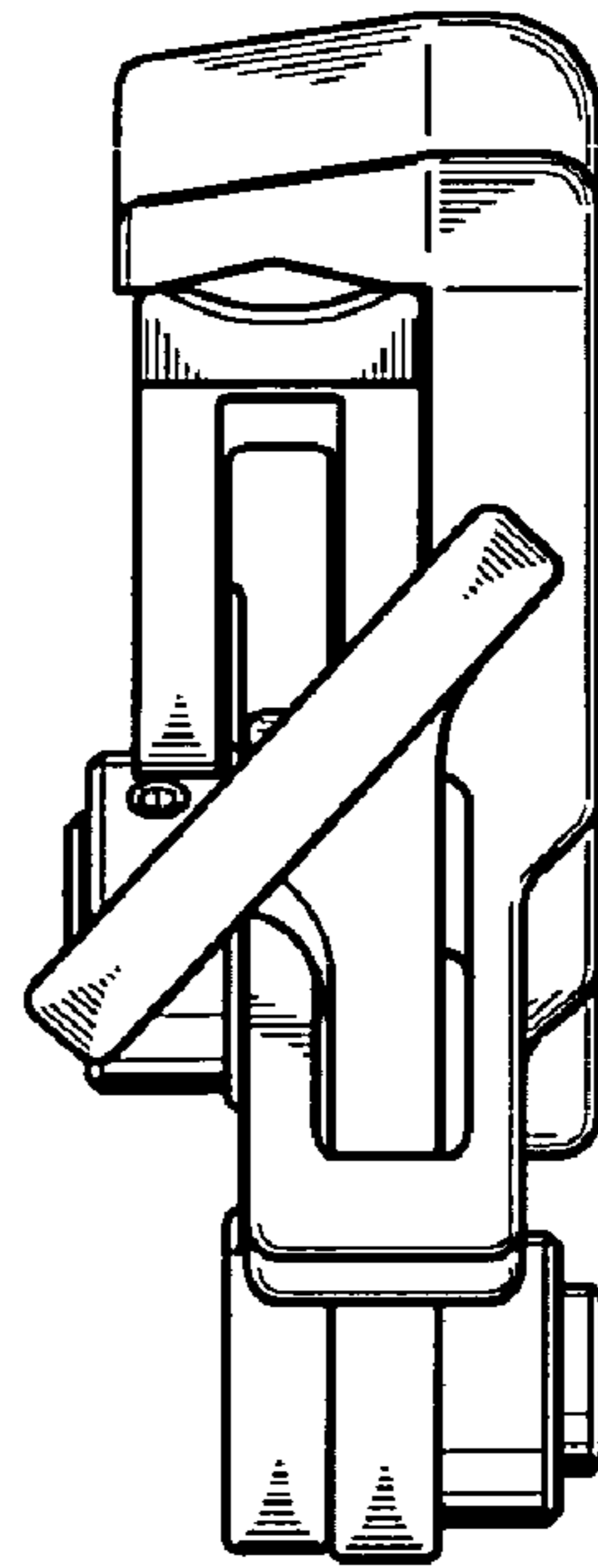


FIG. 5

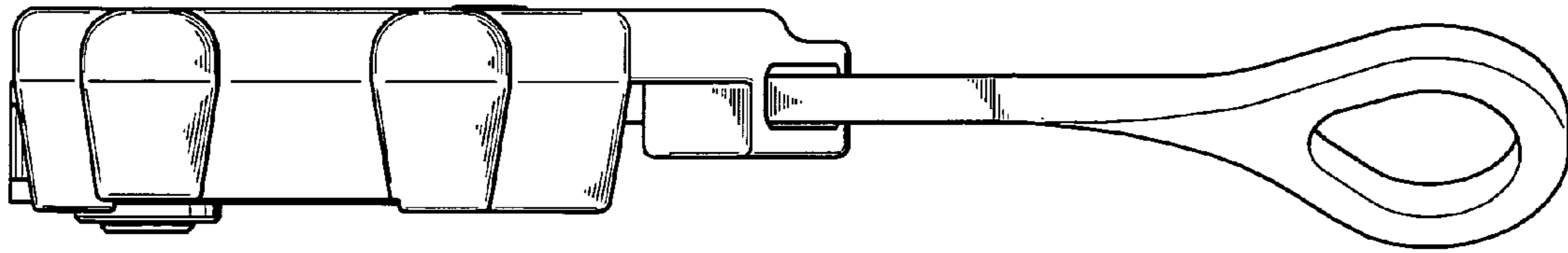


FIG. 6

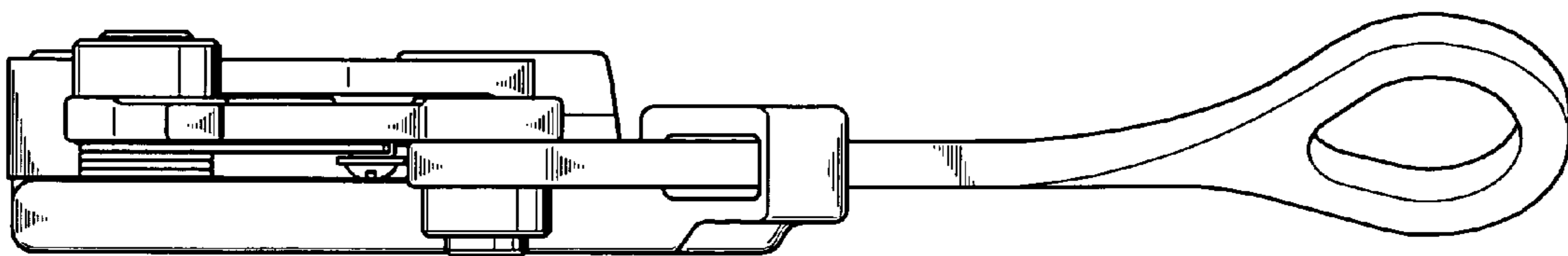


FIG. 7

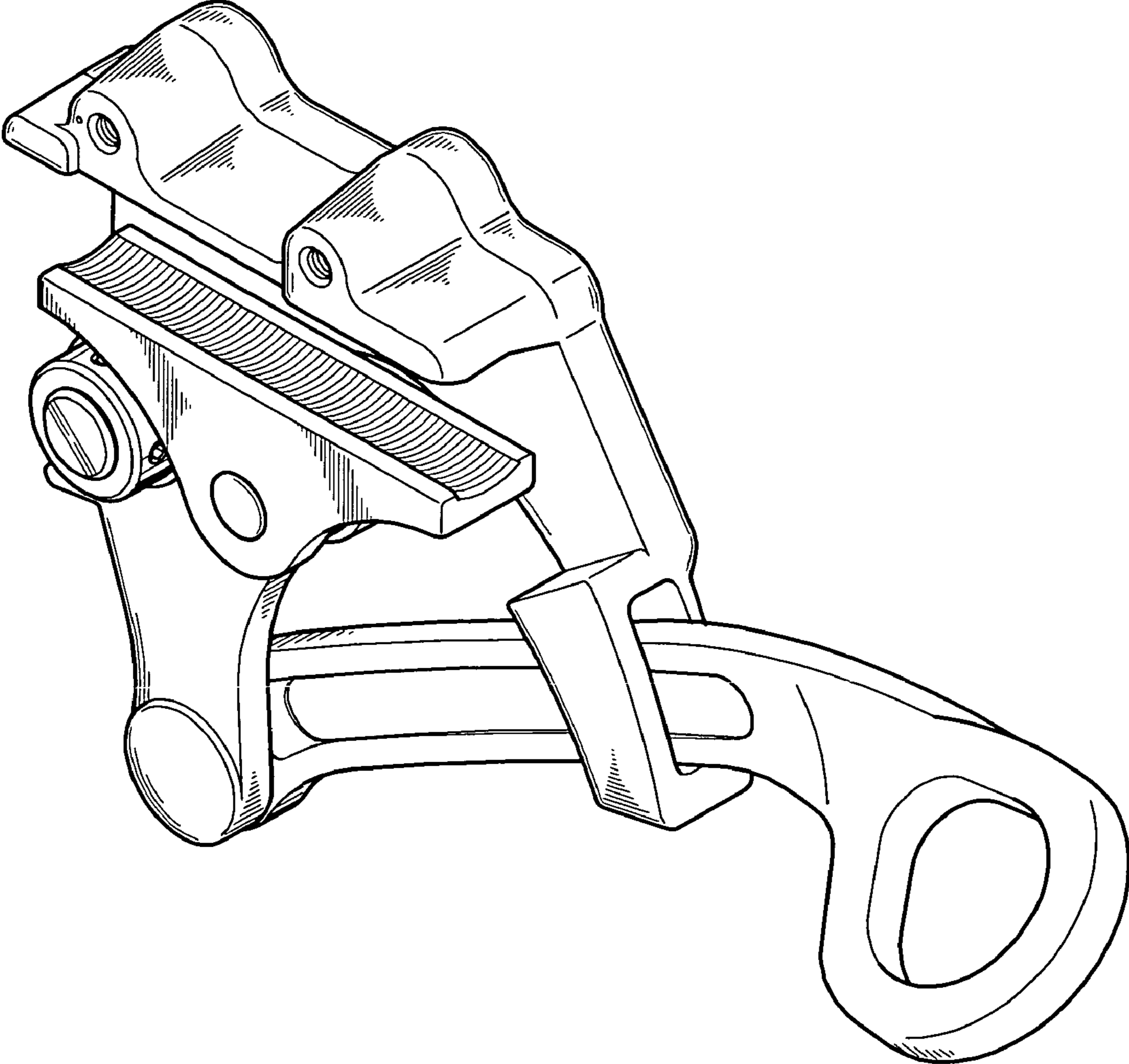


FIG.8