



US00D645887S

(12) **United States Design Patent**
Schlichting

(10) **Patent No.:** **US D645,887 S**

(45) **Date of Patent:** **** Sep. 27, 2011**

(54) **SNOW BLOCK FORMING DEVICE**

(76) Inventor: **Michael Charles Schlichting**, Cranford, NJ (US)

(**) Term: **14 Years**

(21) Appl. No.: **29/386,666**

(22) Filed: **Mar. 3, 2011**

(51) **LOC (9) Cl.** **15-09**

(52) **U.S. Cl.** **D15/135**

(58) **Field of Classification Search** D15/135;
D21/472; 18/39; 25/119, 120; 37/225; 46/11,
46/16, 41; 52/80.1; 164/131, 404; 249/1,
249/13, 66.1, 69, 70, 117, 120, 121, 127,
249/131, 133, 134, 140, 141, 203, 207; 264/32,
264/33, 34, 69, 325, 334, 336, 337, 339;
425/60, 63, 276, 441, 812; 428/542.2; 446/86,
446/491

See application file for complete search history.

(56) **References Cited**

U.S. PATENT DOCUMENTS

160,942 A * 3/1875 Murray 217/5
236,647 A * 1/1881 Sweeney 249/117
2,967,729 A * 1/1961 Davis 294/55
3,547,339 A * 12/1970 Bruce 229/117.15
3,572,625 A * 3/1971 Williamsen 249/117

3,685,942 A * 8/1972 Shaffer 425/276
3,848,846 A * 11/1974 Ebner 249/66.1
D246,064 S * 10/1977 Koblick D21/472
6,210,142 B1 * 4/2001 Huesers et al. 425/60
2008/0307680 A1 * 12/2008 Schlichting 37/225

* cited by examiner

Primary Examiner — Patricia Palasik

(74) *Attorney, Agent, or Firm* — Sinorica, LLC

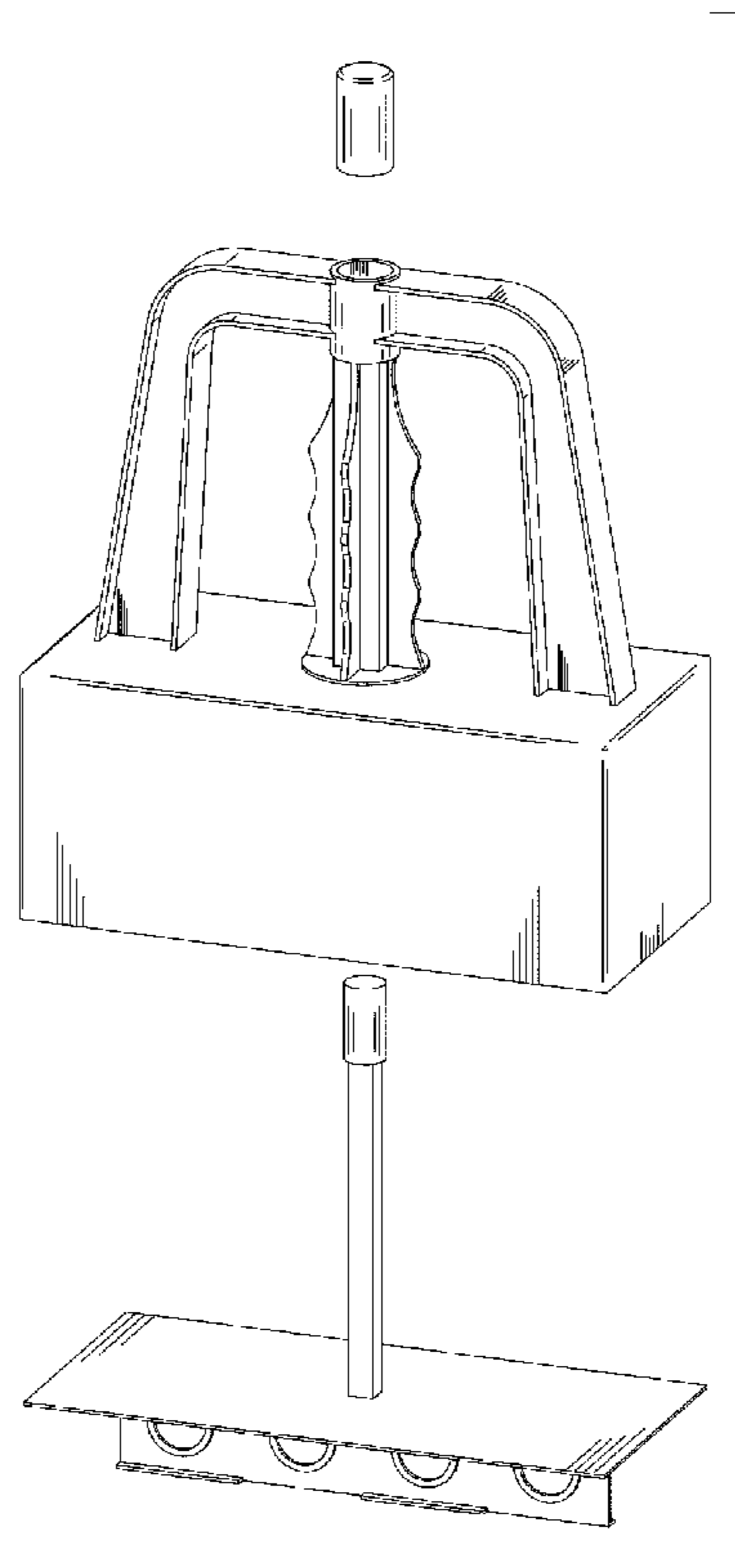
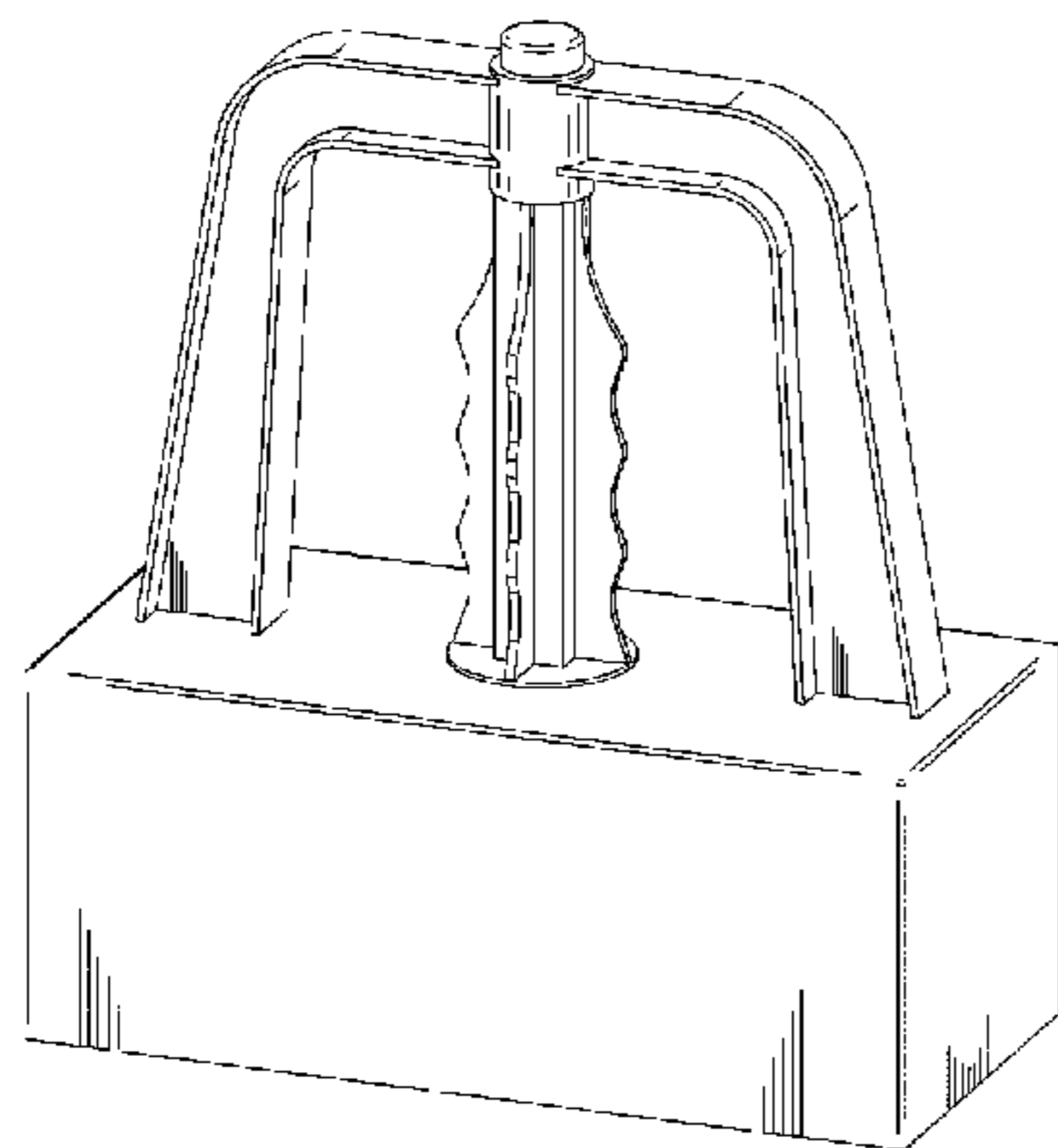
(57) **CLAIM**

The ornamental design for a snow block forming device, as shown and described.

DESCRIPTION

FIG. 1 is a perspective view of a snow block forming device; FIG. 2 is a front elevational view thereof; FIG. 3 is a rear elevational view thereof; FIG. 4 is a right-side elevational view thereof; FIG. 5 is a left-side elevational view thereof; FIG. 6 is a bottom plan view thereof; FIG. 7 is a top plan view thereof; FIG. 8 is a perspective view of an exploded snow block forming device; FIG. 9 is a front elevational view thereof; FIG. 10 is a rear elevational view thereof; FIG. 11 a right-side elevational view thereof; and, FIG. 12 a left-side elevational view thereof.

1 Claim, 8 Drawing Sheets



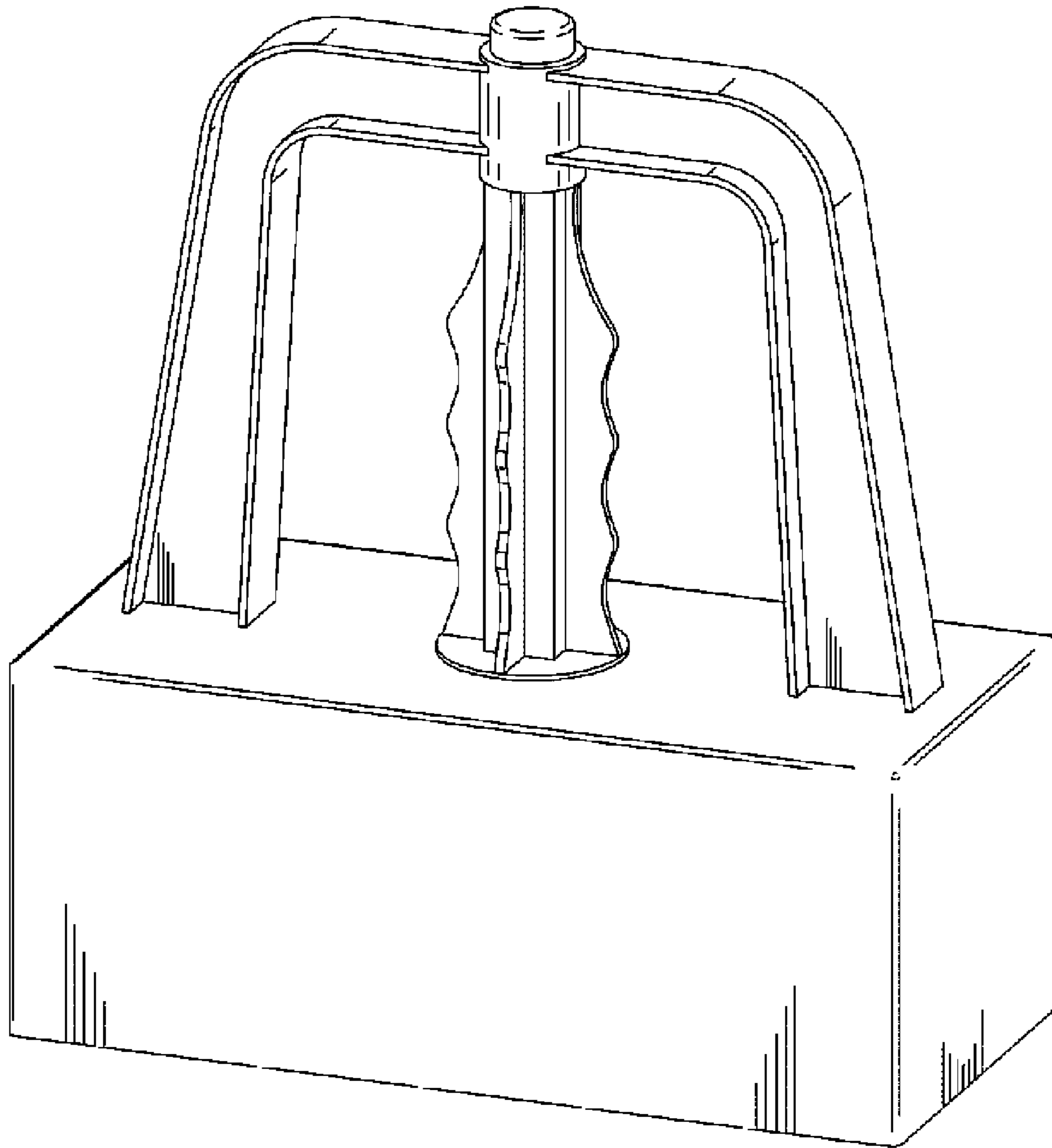


FIG. 1

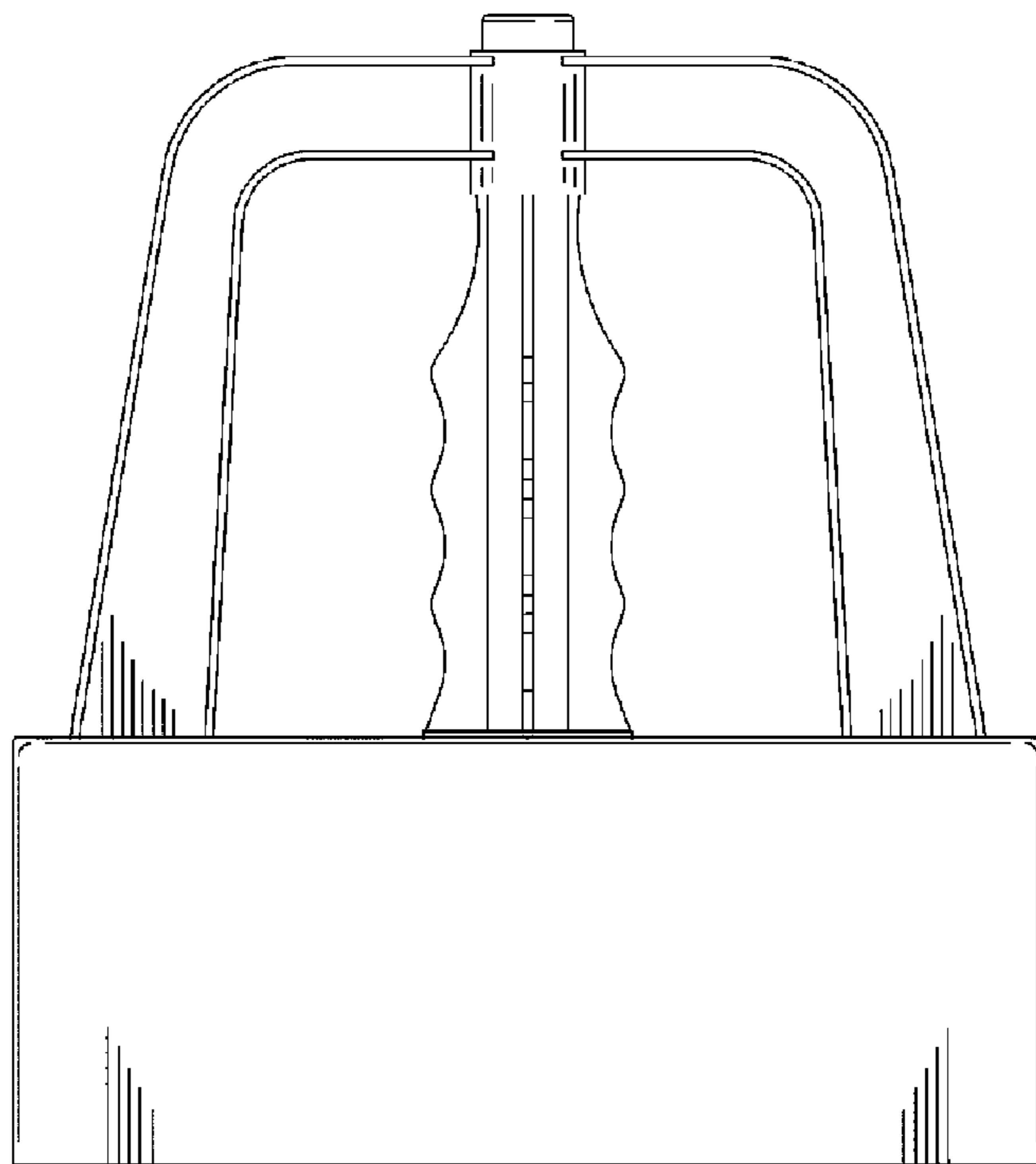


FIG. 2

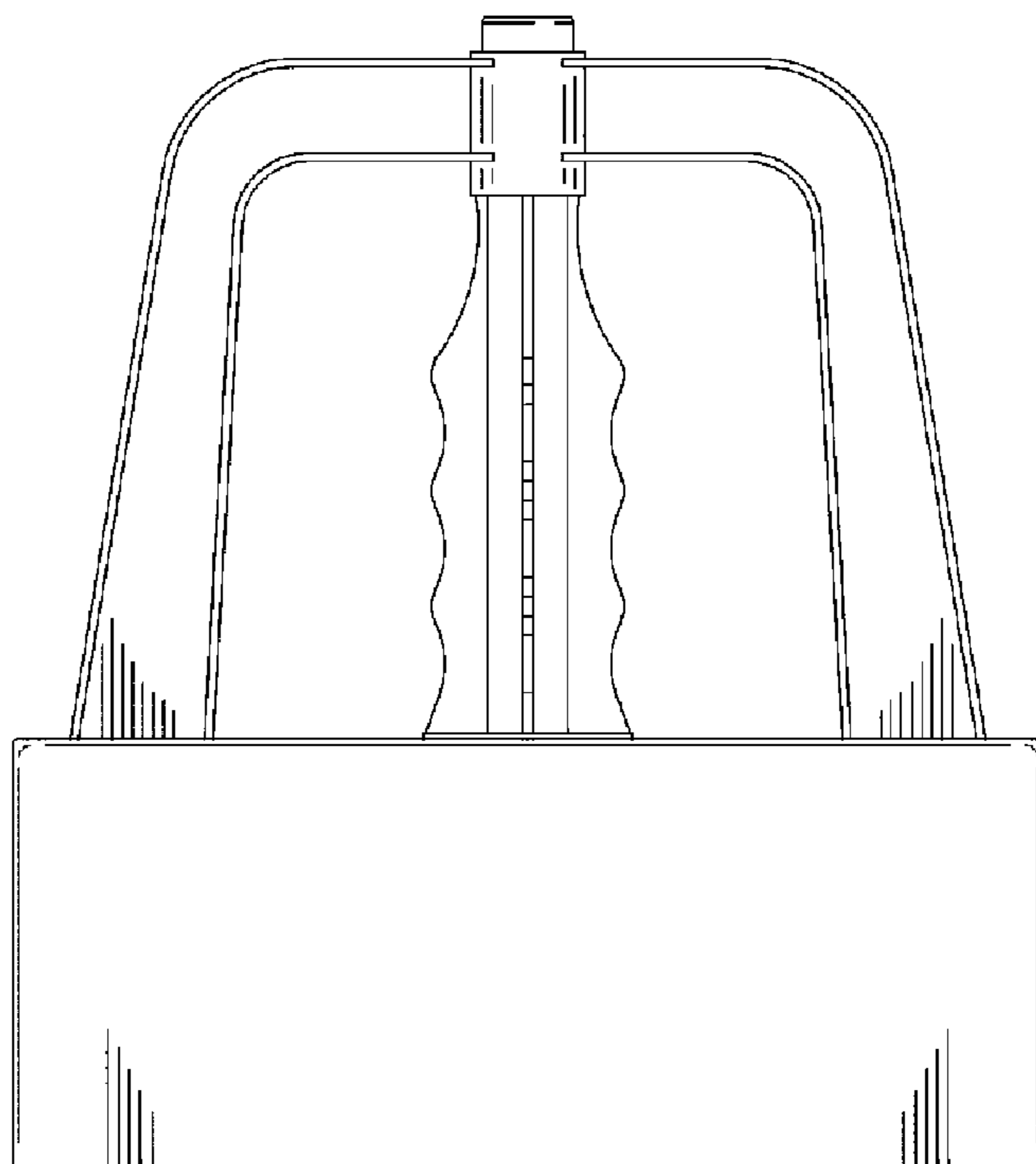


FIG. 3

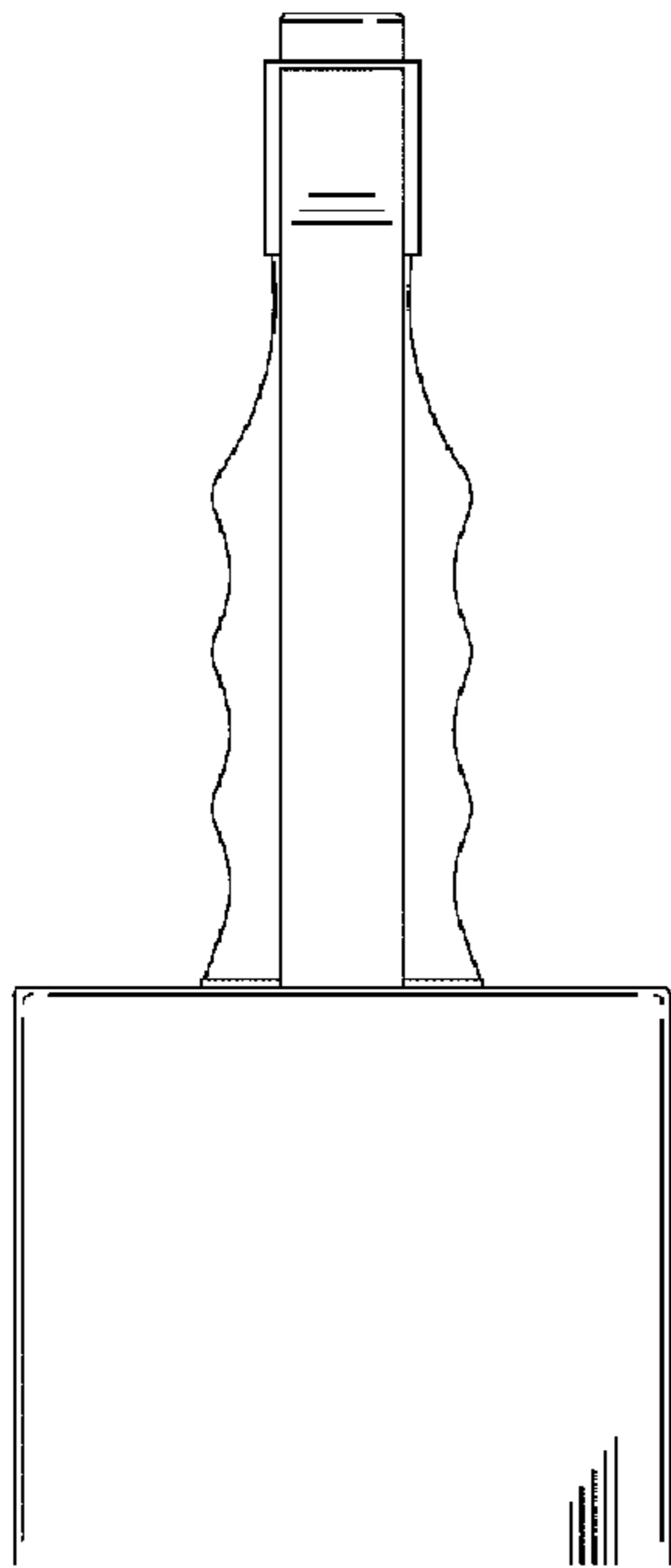


FIG. 4

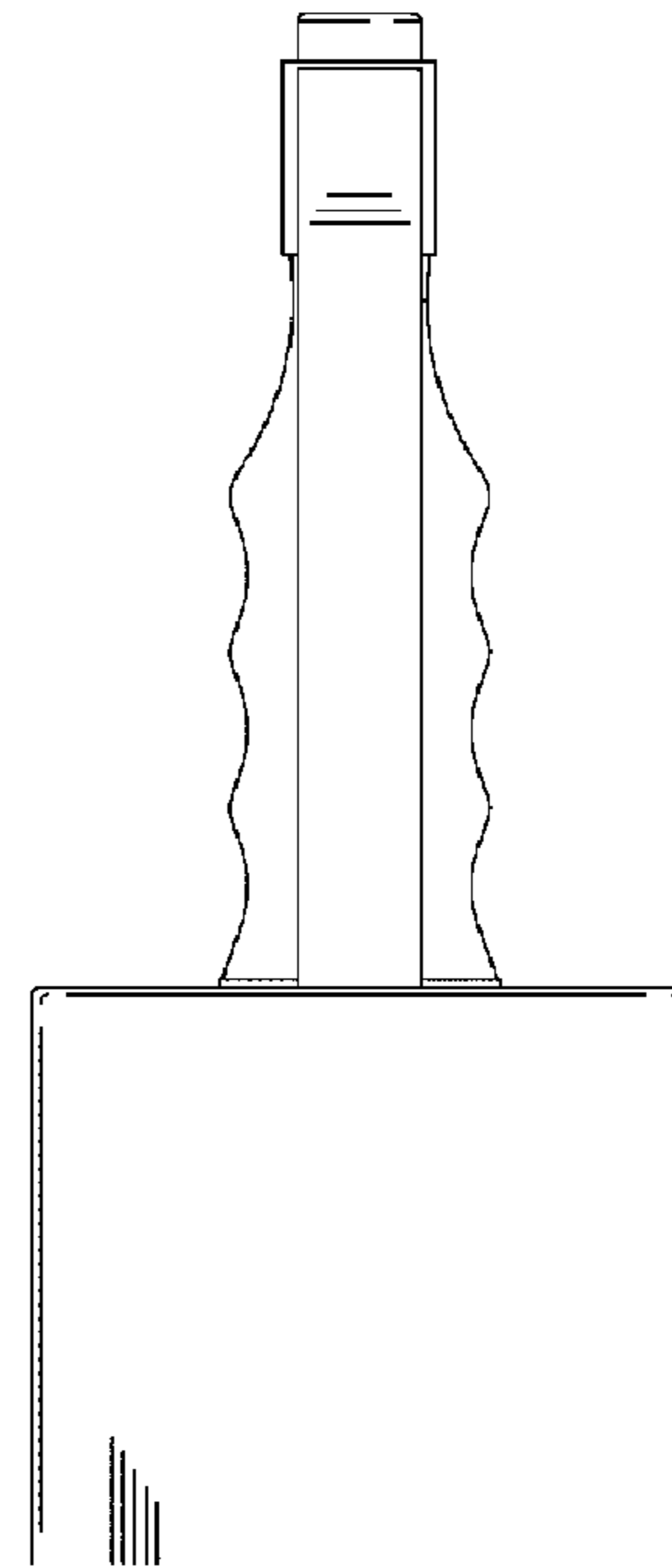


FIG. 5

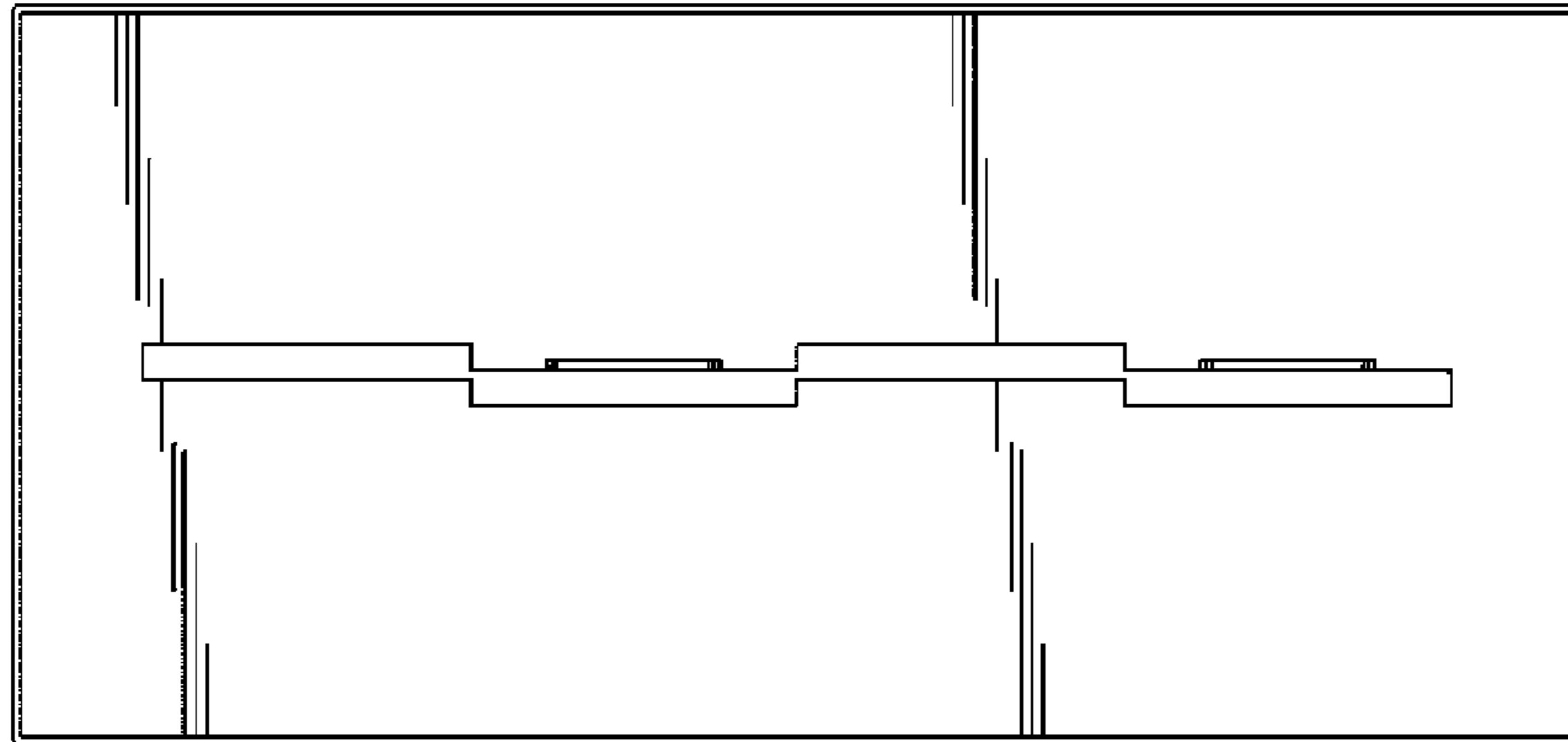


FIG. 6

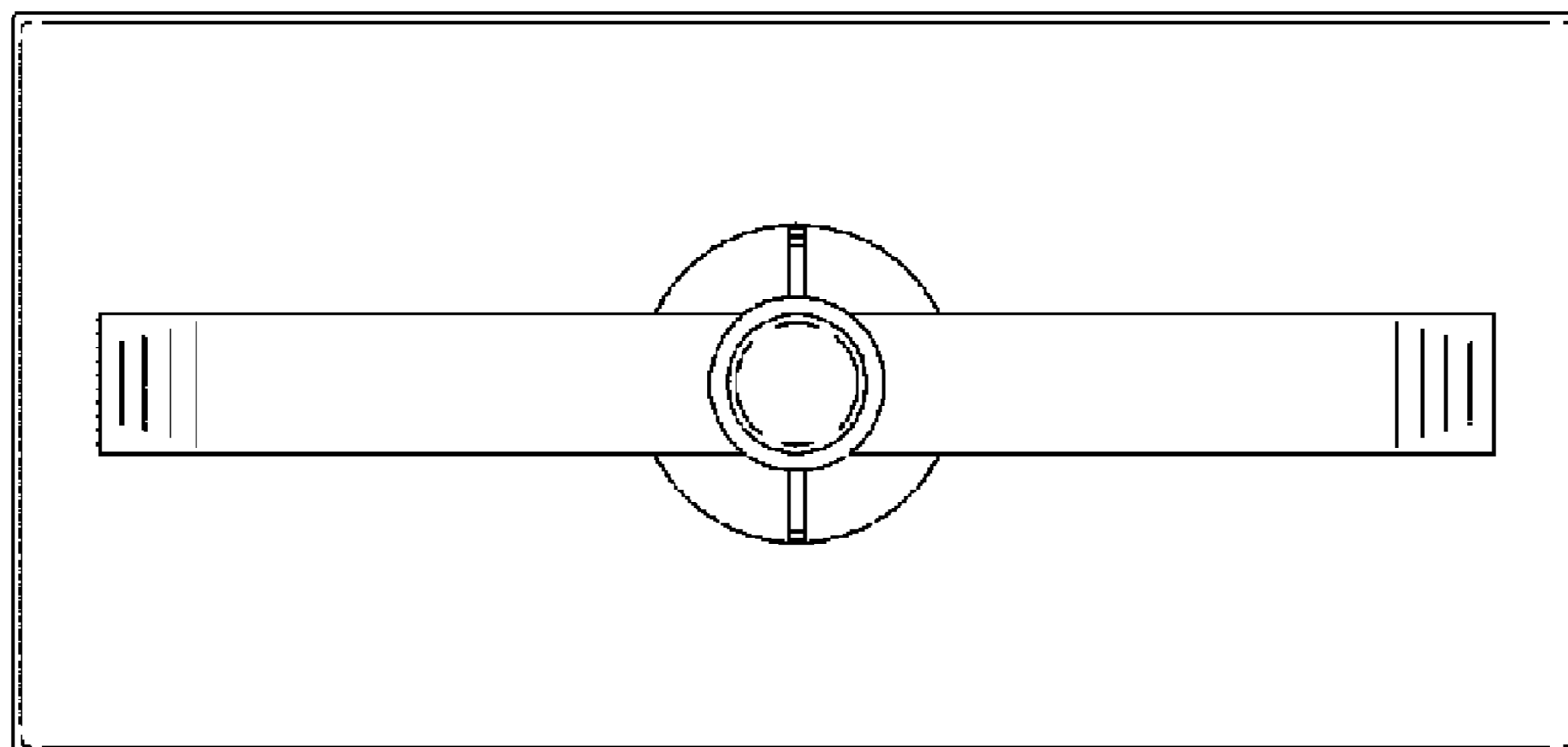


FIG. 7

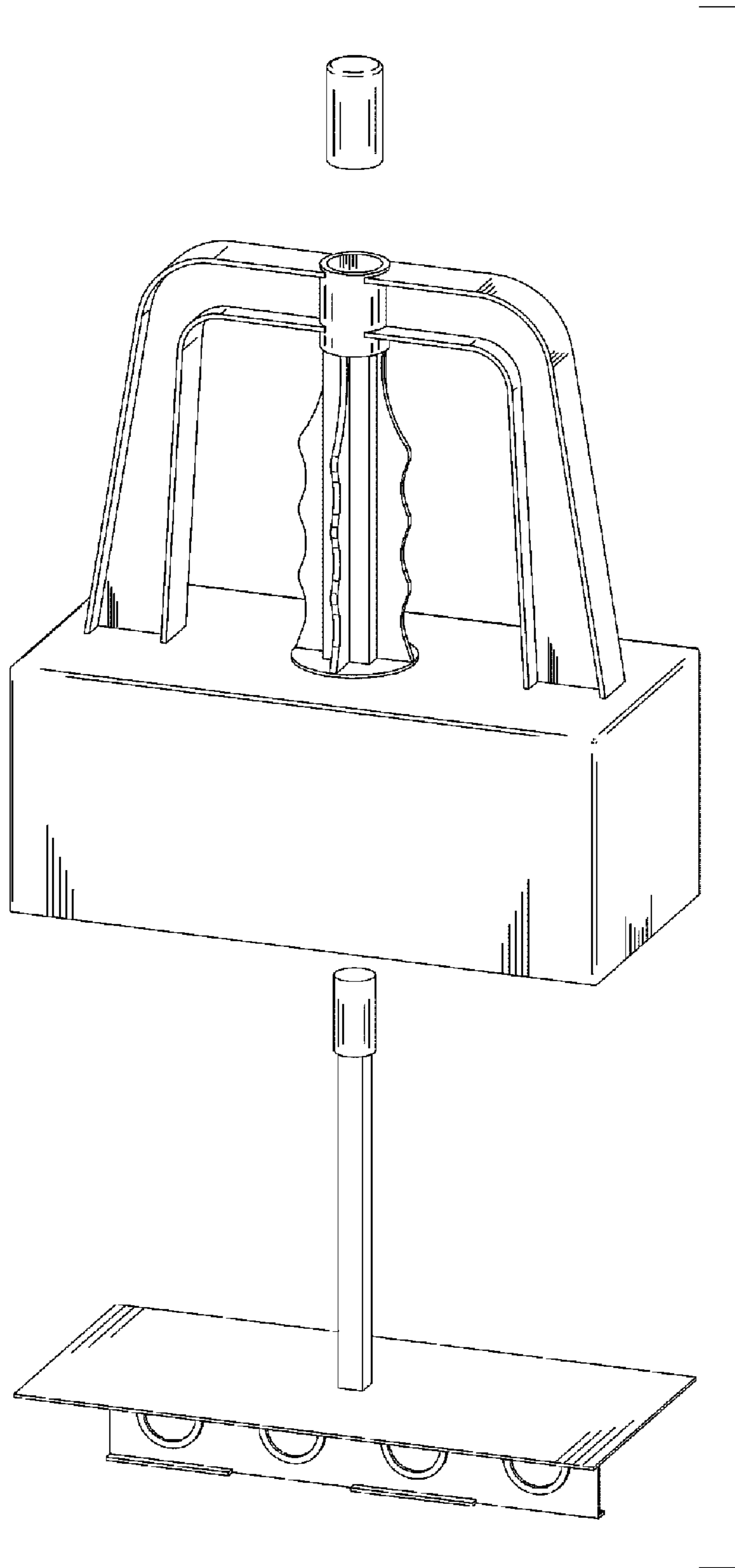


FIG. 8

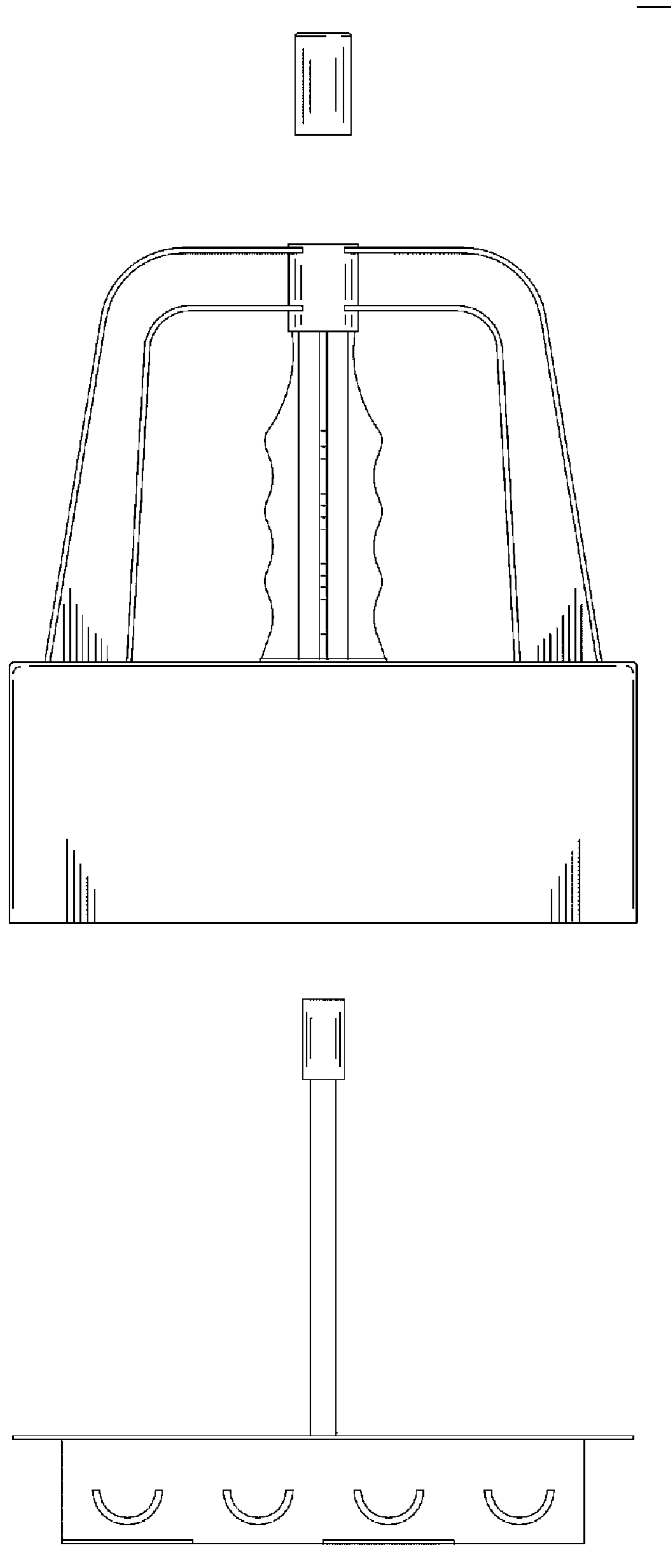


FIG. 9

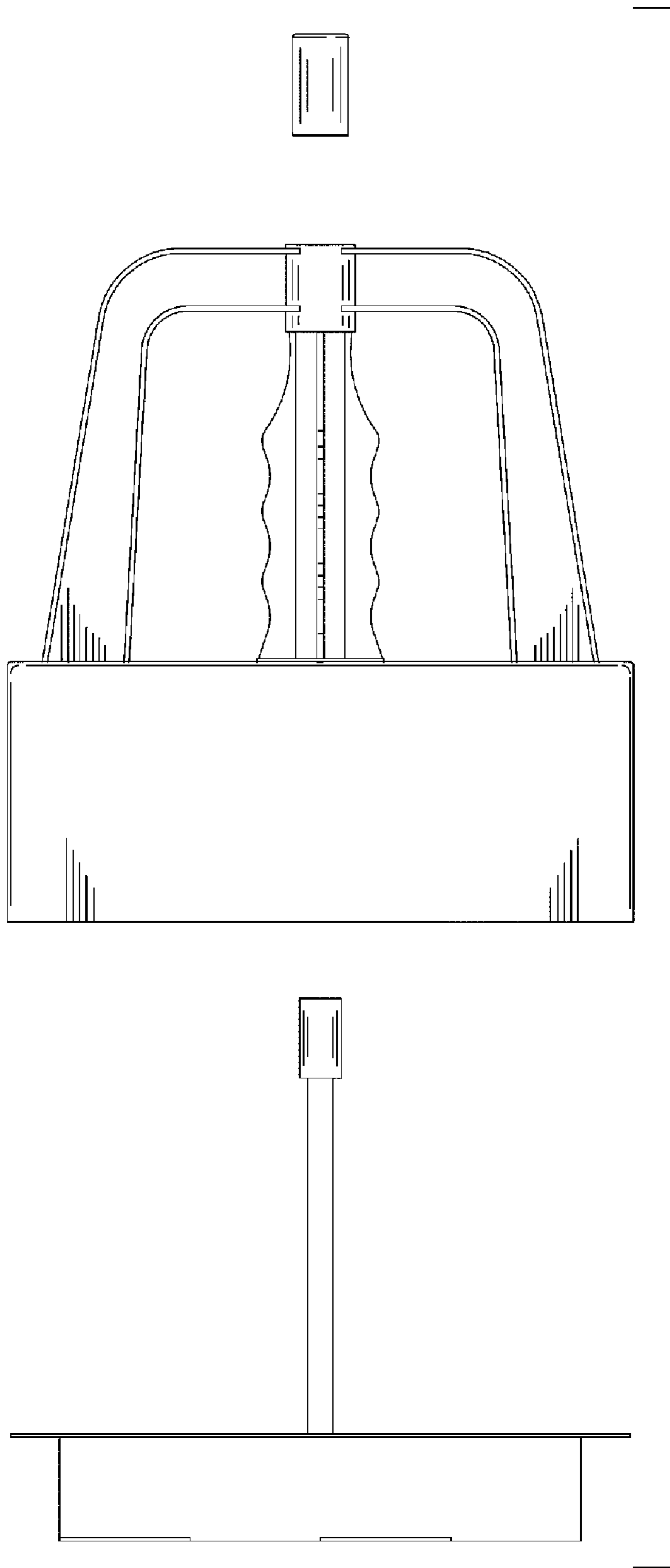


FIG. 10

