



US00D645886S

(12) **United States Design Patent**  
**Hattori**

(10) **Patent No.:** **US D645,886 S**

(45) **Date of Patent:** **\*\* \*Sep. 27, 2011**

(54) **SEWING MACHINE**

(75) Inventor: **Mitsuharu Hattori**, Nagoya (JP)

(73) Assignee: **Brother Industries, Ltd.**, Nagoya (JP)

(\* ) Notice: This patent is subject to a terminal disclaimer.

(\*\* ) Term: **14 Years**

(21) Appl. No.: **29/341,375**

(22) Filed: **Aug. 4, 2009**

(30) **Foreign Application Priority Data**

Feb. 24, 2009 (JP) ..... 2009-003850

(51) **LOC (9) Cl.** ..... **15-06**

(52) **U.S. Cl.** ..... **D15/69**

(58) **Field of Classification Search** ..... D15/66-78;  
112/2, 63, 217.1-217.4, 255-261, 475.01;  
D21/527

See application file for complete search history.

(56) **References Cited**

**U.S. PATENT DOCUMENTS**

D383,764 S \* 9/1997 Ueyama ..... D15/70  
D434,781 S \* 12/2000 Kawaguchi ..... D15/69

D450,720 S \* 11/2001 Kuroki ..... D15/69  
D450,722 S \* 11/2001 Kawaguchi ..... D15/69  
D474,208 S \* 5/2003 Kawaguchi ..... D15/69  
D504,444 S \* 4/2005 Kuroki ..... D15/69  
D504,692 S \* 5/2005 Kuroki ..... D15/69  
D520,027 S \* 5/2006 Kuroki ..... D15/69  
D520,528 S \* 5/2006 Kuroki et al. .... D15/69  
D524,829 S \* 7/2006 Muto ..... D15/69

\* cited by examiner

*Primary Examiner* — Shanda C Hill

(74) *Attorney, Agent, or Firm* — Oliff & Berridge, PLC

(57) **CLAIM**

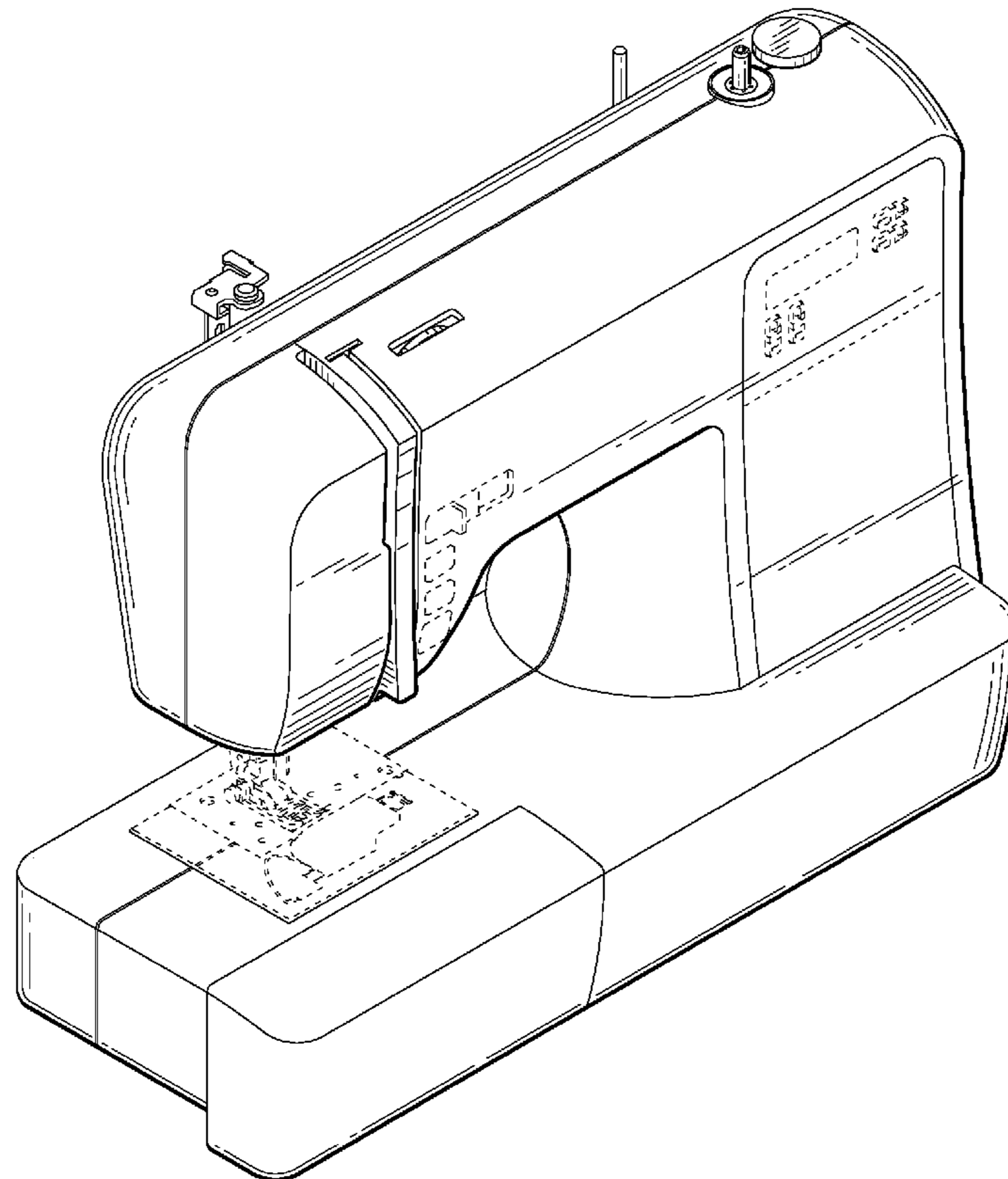
The ornamental design for a sewing machine, as shown and described.

**DESCRIPTION**

FIG. 1 is a perspective view of a sewing machine;  
FIG. 2 is a front view thereof;  
FIG. 3 is a top view thereof;  
FIG. 4 is a right-side view thereof;  
FIG. 5 is a left-side view thereof;  
FIG. 6 is a rear view thereof;  
FIG. 7 is a bottom view thereof; and,  
FIG. 8 is a cross-sectional view thereof taken along the line 8—8 of FIG. 2.

The broken lines depict environmental subject matter only and form no part of the claimed design.

**1 Claim, 7 Drawing Sheets**



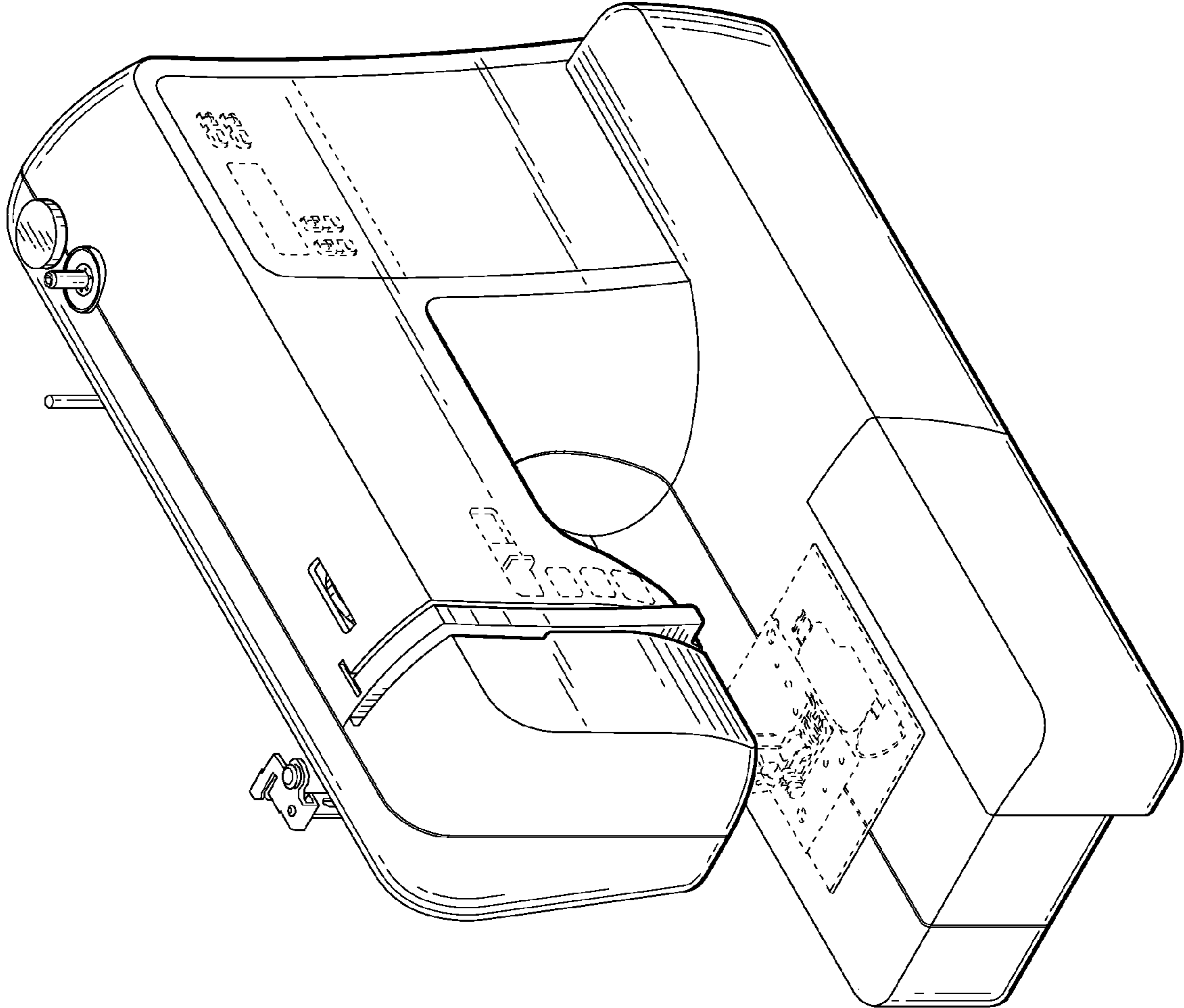


FIG. 1

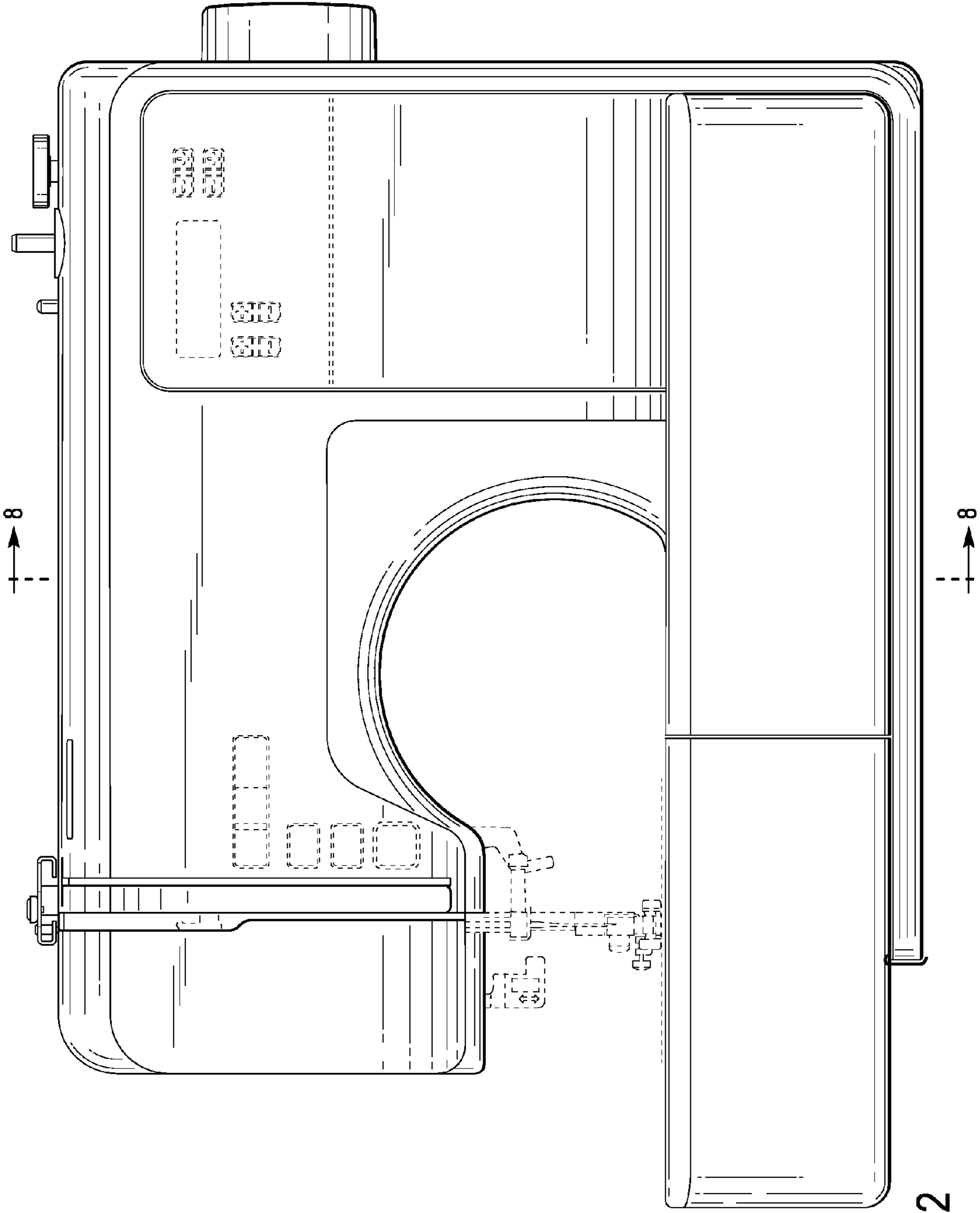


FIG. 2

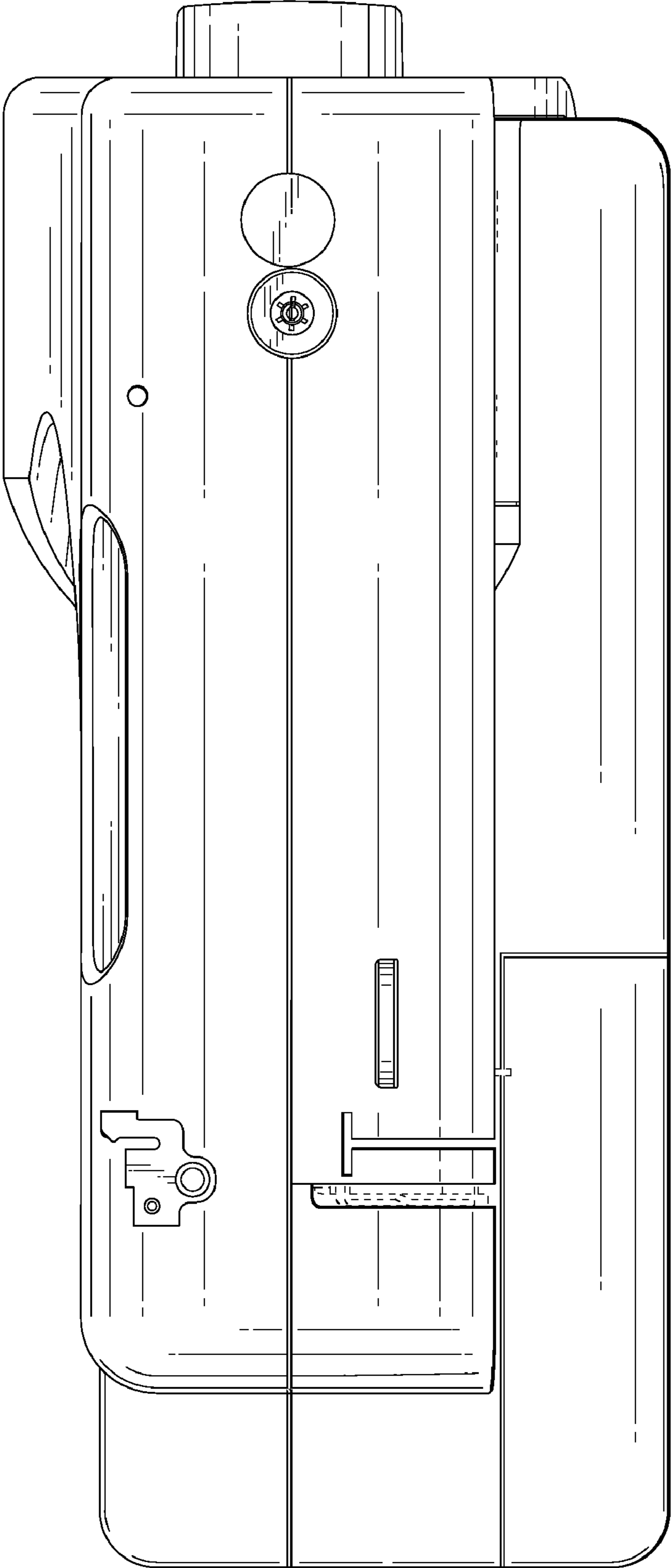


FIG. 3

FIG. 5

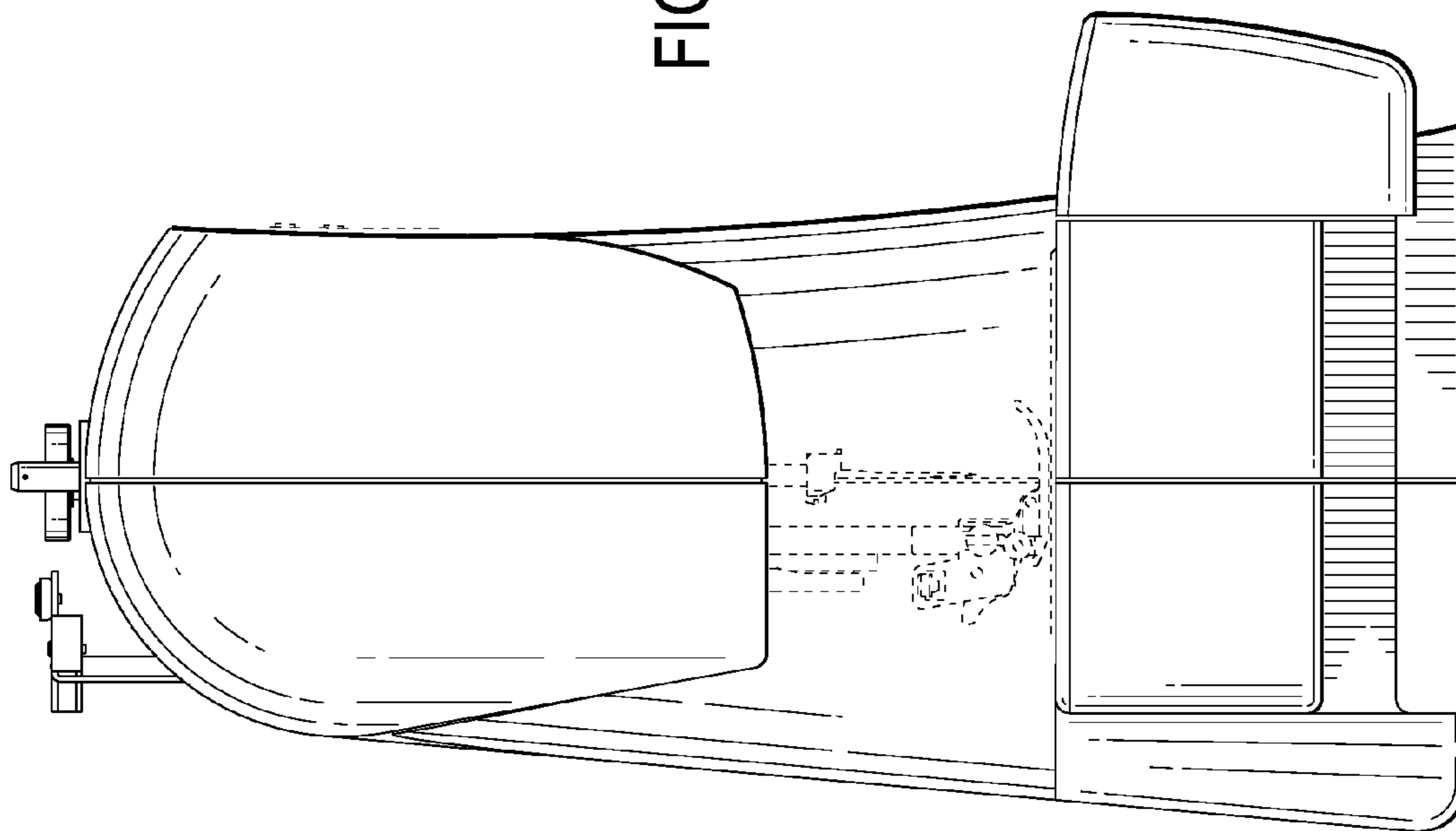
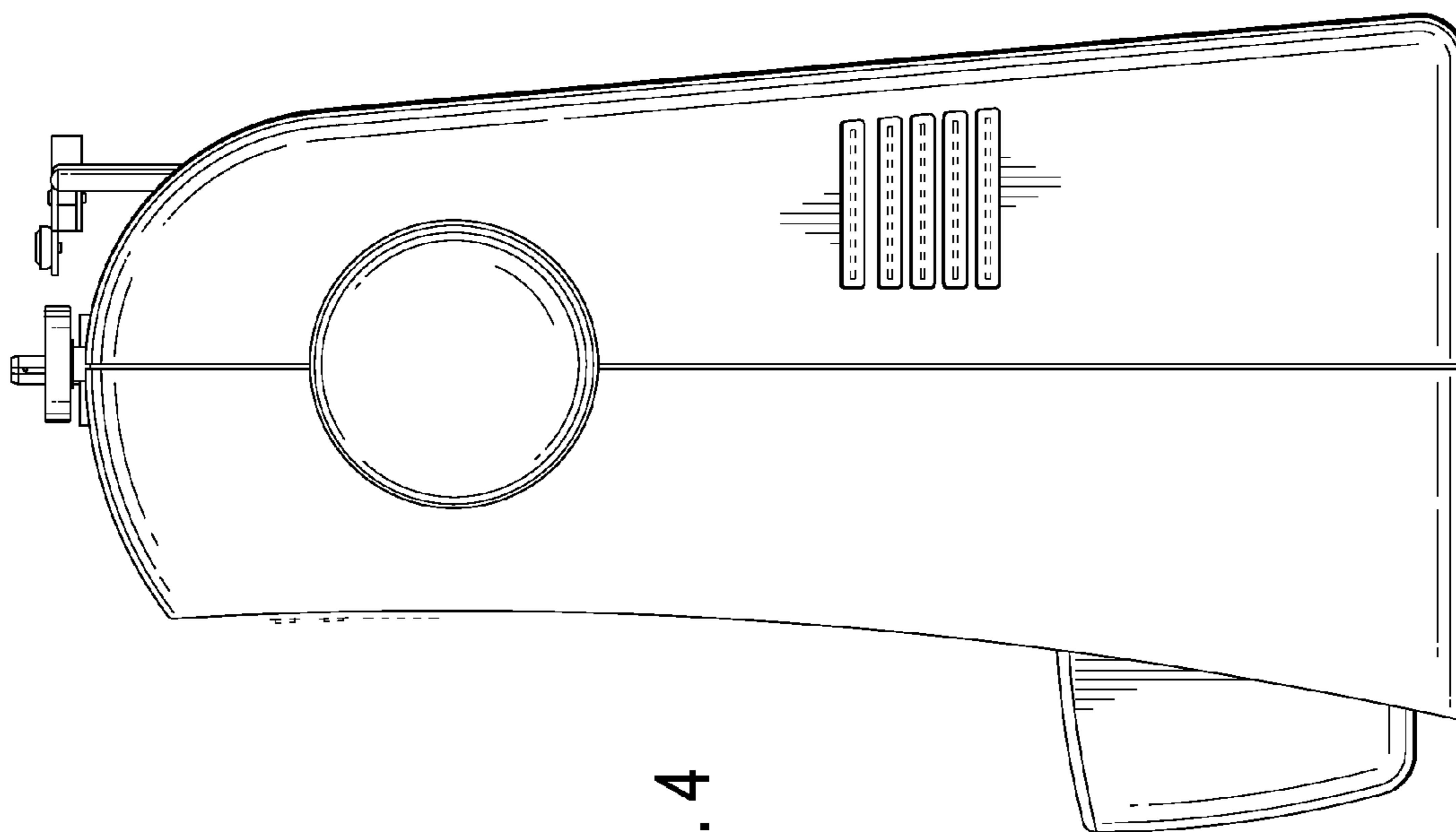


FIG. 4



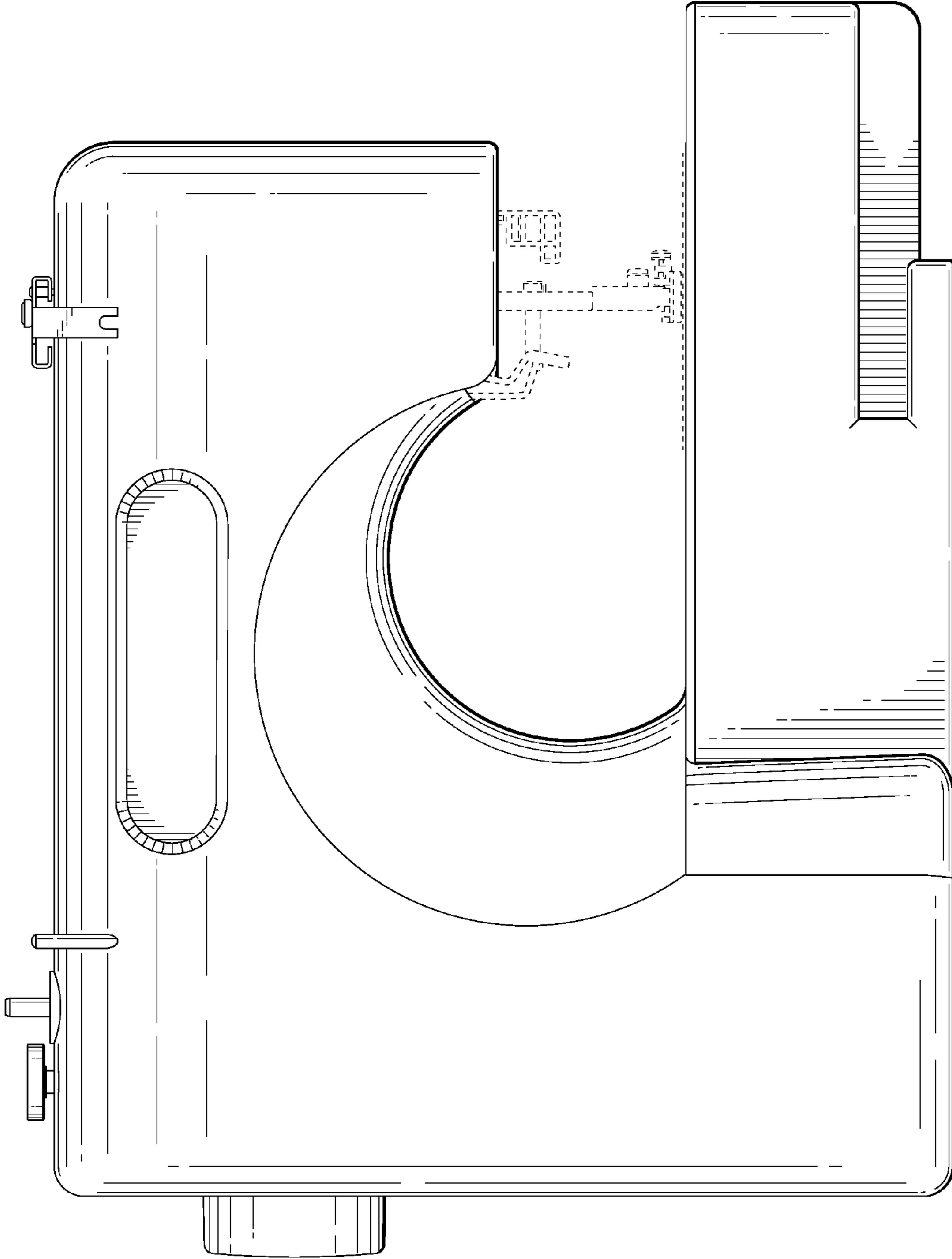


FIG. 6

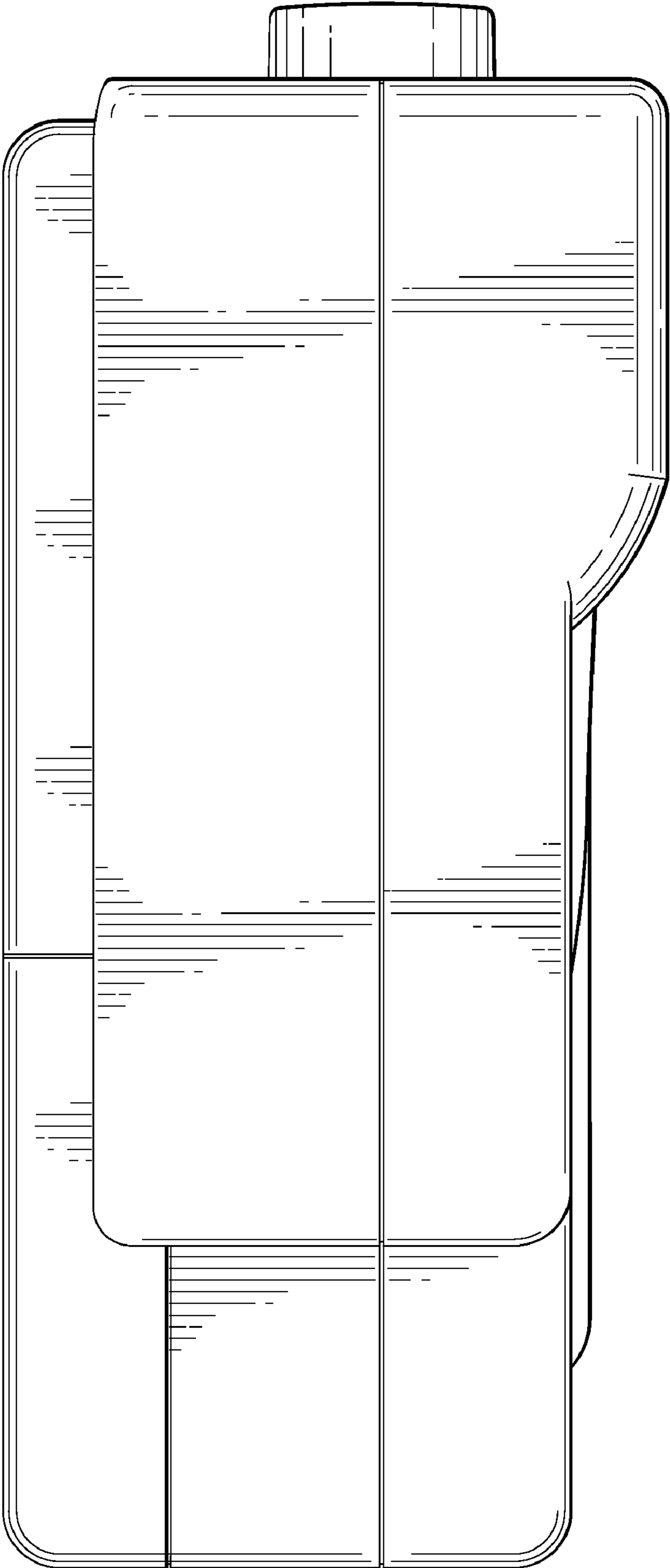


FIG. 7



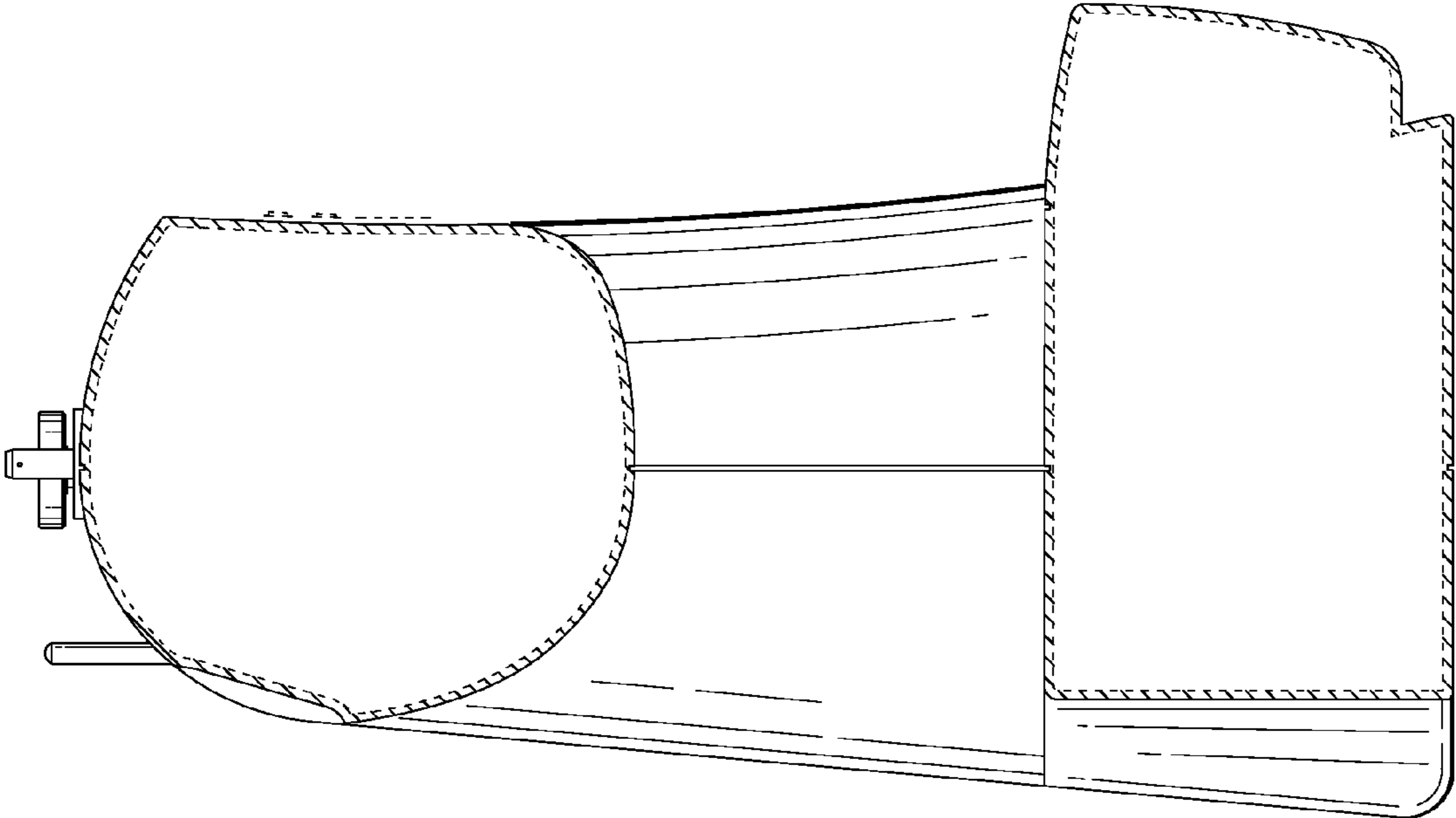


FIG. 8