



US00D645885S

(12) **United States Design Patent**
Hall et al.

(10) **Patent No.:** **US D645,885 S**

(45) **Date of Patent:** **** Sep. 27, 2011**

(54) **AIR SEEDER ASSEMBLY**

(75) Inventors: **Kevin Norman Hall**, Saskatoon (CA);
Darwin Zacharias, Saskatoon (CA)

(73) Assignee: **CNH Canada, Ltd.** (CA)

(**) Term: **14 Years**

(21) Appl. No.: **29/388,683**

(22) Filed: **Mar. 31, 2011**

(51) **LOC (9) Cl.** **15-03**

(52) **U.S. Cl.** **D15/27; D15/13**

(58) **Field of Classification Search** D15/10,
D15/12, 13, 21, 27; 239/668, 656, 655, 675,
239/676, 654, 662, 672, 673; 366/177, 186,
366/20, 168, 181; 222/145, 135, 129; 172/311,
172/776; 111/174, 178

See application file for complete search history.

(56) **References Cited**

U.S. PATENT DOCUMENTS

D194,188 S	12/1962	Tyler	
D198,327 S *	6/1964	Tyler	D15/13
3,394,667 A	7/1968	White	
D221,240 S	7/1971	Tyler	
4,296,695 A *	10/1981	Quanbeck	111/186
4,541,549 A	9/1985	Hadley et al.	
5,273,211 A	12/1993	Pierce et al.	
D366,266 S *	1/1996	Blair et al.	D15/27
5,592,889 A	1/1997	Bourgault	
D381,666 S *	7/1997	Del Zotto	D15/27
5,785,481 A	7/1998	Ockels	
5,915,312 A	6/1999	Meyer et al.	
5,947,040 A	9/1999	Gregor	
D450,063 S *	11/2001	Bentley	D15/13
6,396,003 B1	5/2002	Friesen	
D469,784 S *	2/2003	Bentley	D15/13
D480,094 S *	9/2003	Fisher et al.	D15/27

6,708,631 B1	3/2004	McQuinn et al.	
6,834,599 B1	12/2004	Fuessel et al.	
7,104,207 B2	9/2006	Wake et al.	
7,555,990 B2	7/2009	Beaujot	
D629,018 S	12/2010	Loxton	
D634,759 S *	3/2011	Farrow	D15/27
2006/0120836 A1	6/2006	Cresswell et al.	
2006/0130721 A1	6/2006	Memory	
2006/0180062 A1 *	8/2006	Furrer et al.	111/171

* cited by examiner

Primary Examiner — Mark Goodwin

(74) *Attorney, Agent, or Firm* — Rebecca Henkel

(57) **CLAIM**

The ornamental design for an air seeder assembly, substantially as shown and described.

DESCRIPTION

FIG. 1 is a top perspective view of an air seeder assembly showing my new design, in which the phantom lines illustrate wheel assemblies, a platform and a ladder assembly which form no part of the claimed design;

FIG. 2 is a top perspective view of the air seeder assembly, in which the phantom-lined wheel assemblies, platform and ladder assembly have been removed for clarity;

FIG. 3 is a bottom perspective view of the air seeder assembly;

FIG. 4 is a left side elevation view of the air seeder assembly, the right side elevation view being a mirror image of the left side elevation view being shown;

FIG. 5 is a front elevation view of the air seeder assembly;

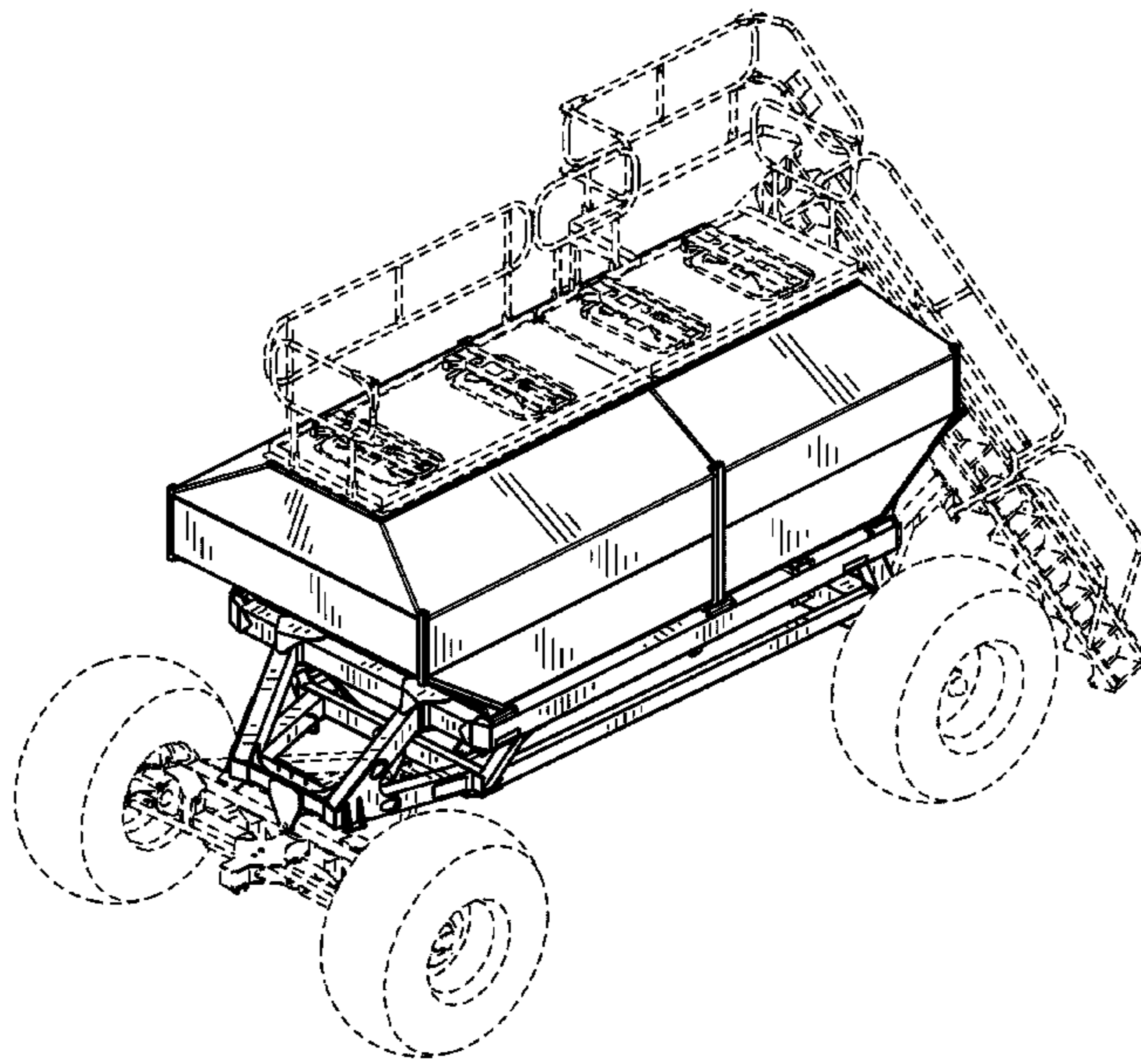
FIG. 6 is a back elevation view of the air seeder assembly;

FIG. 7 is a top view of the air seeder assembly; and,

FIG. 8 is a bottom view of the air seeder assembly.

Phantom lining, where utilized is for illustrative purposes only and forms no part of the claimed design.

1 Claim, 7 Drawing Sheets



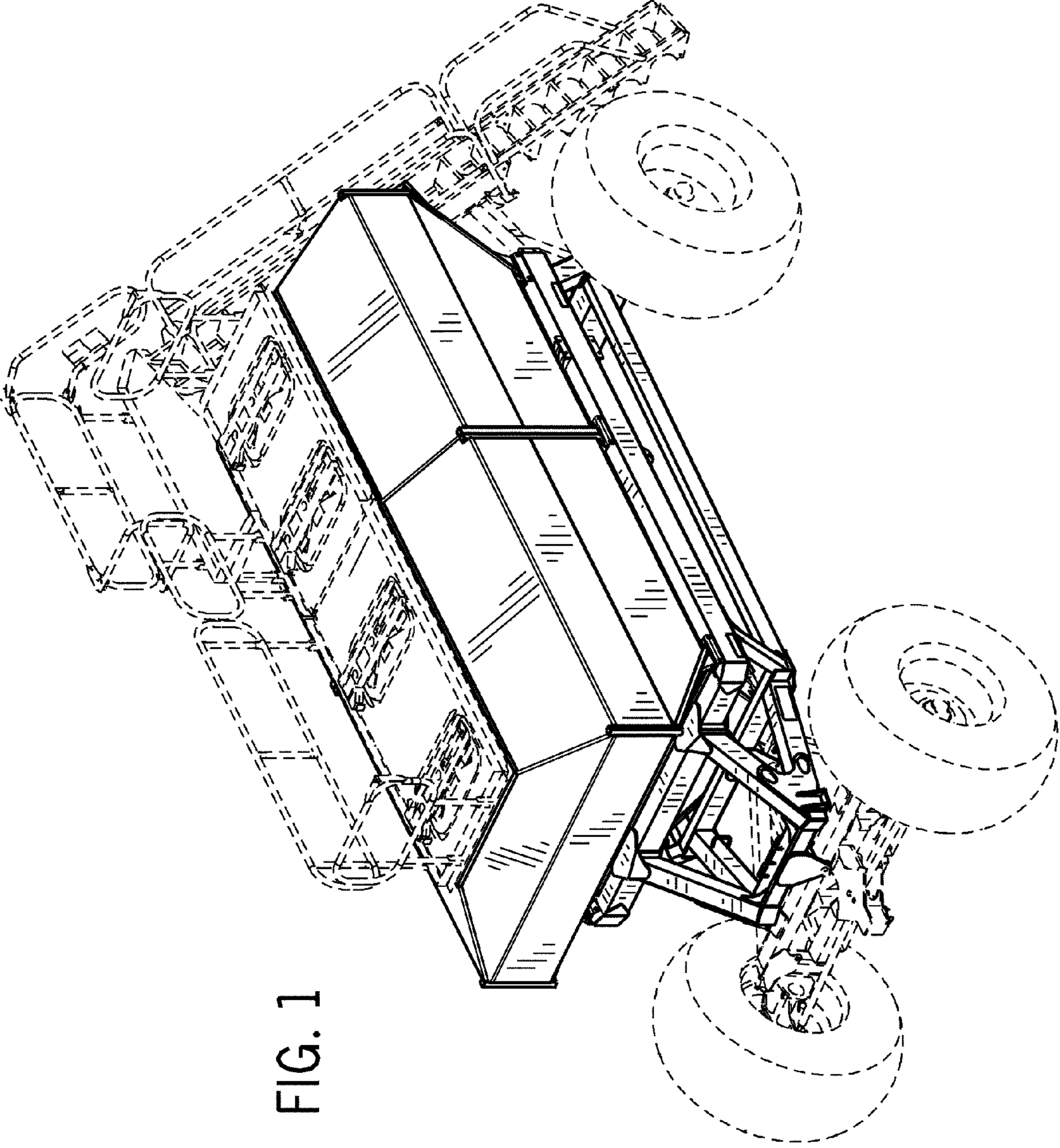


FIG. 1

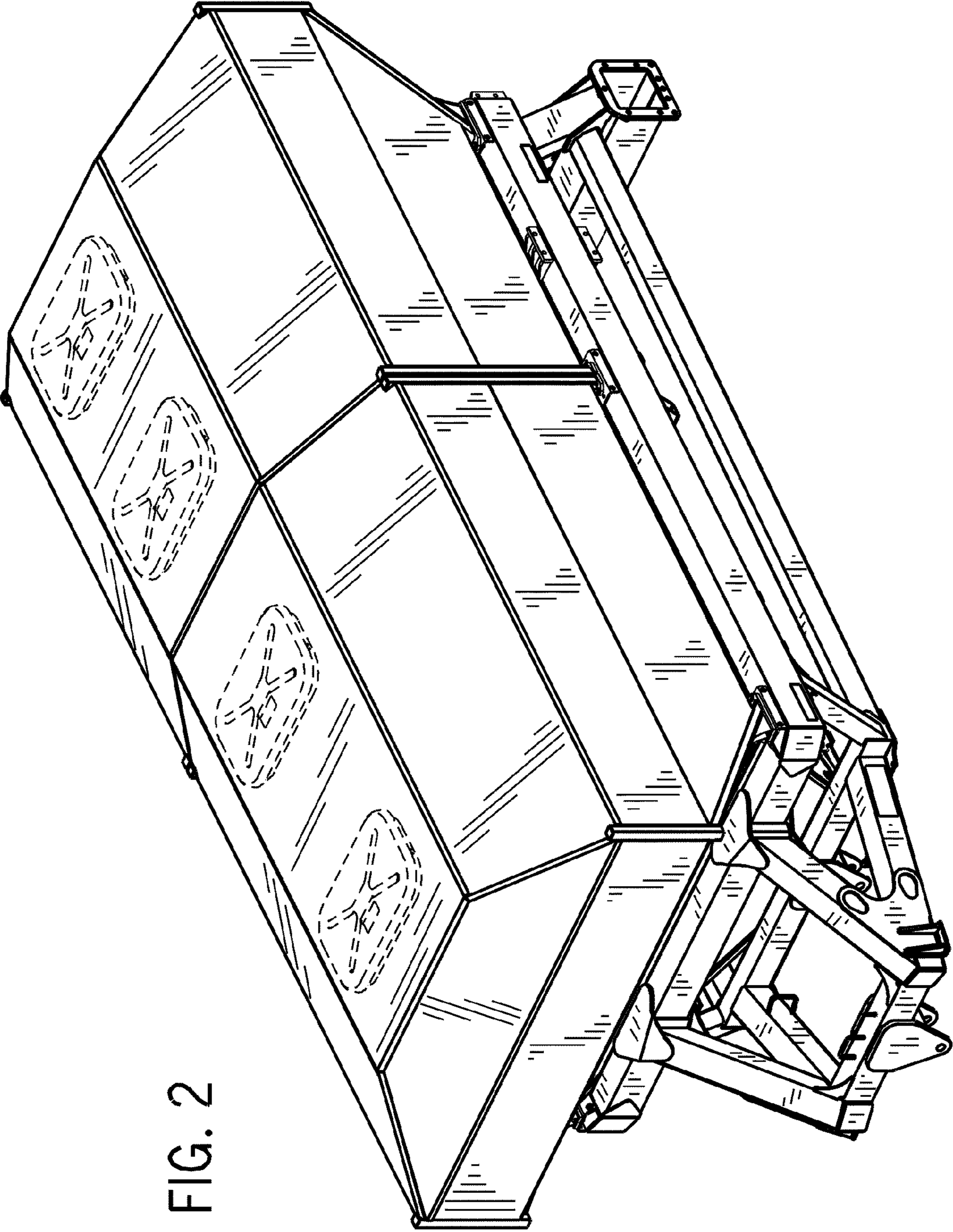


FIG. 2

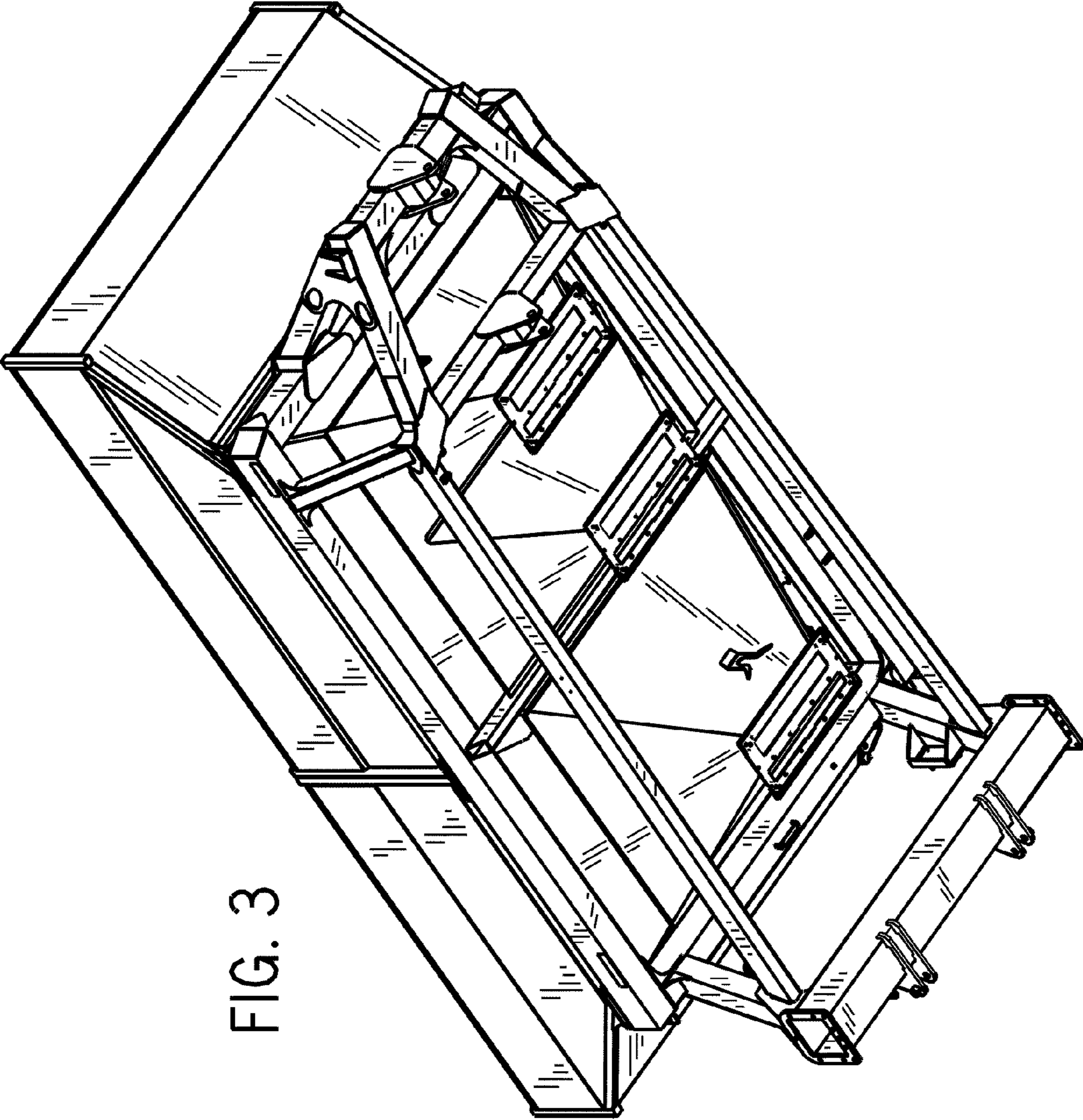


FIG. 3

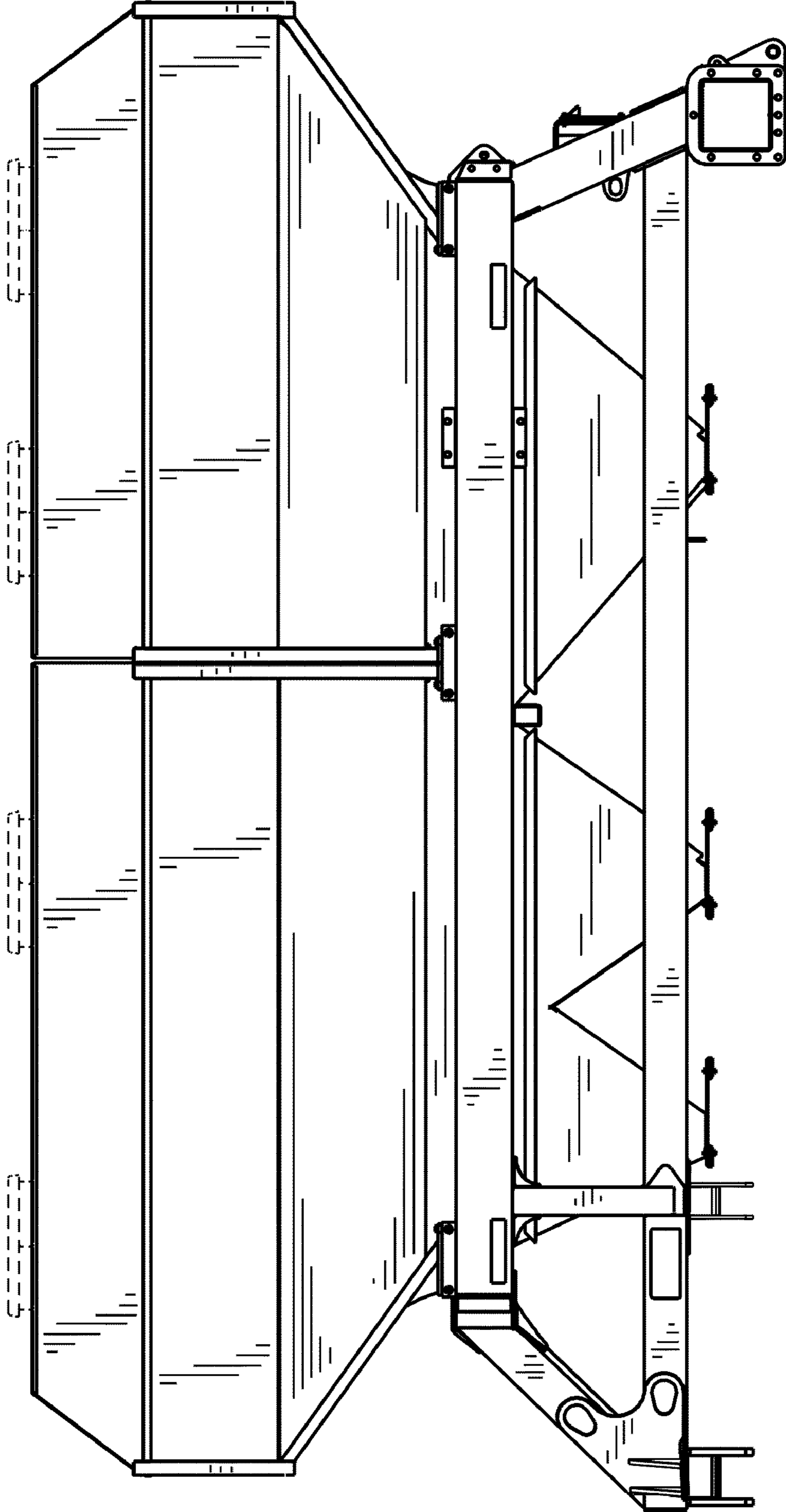


FIG. 4

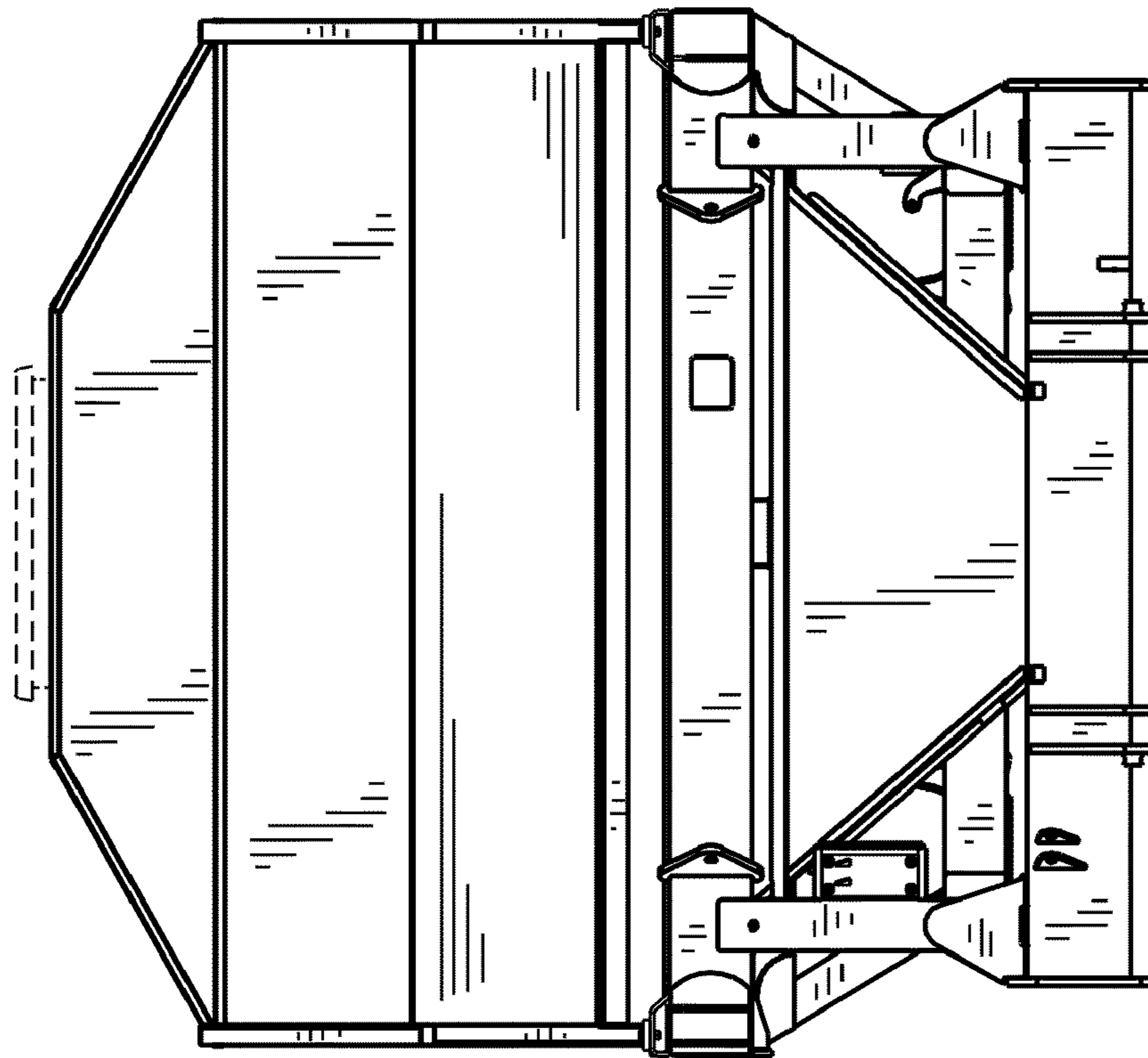


FIG. 5

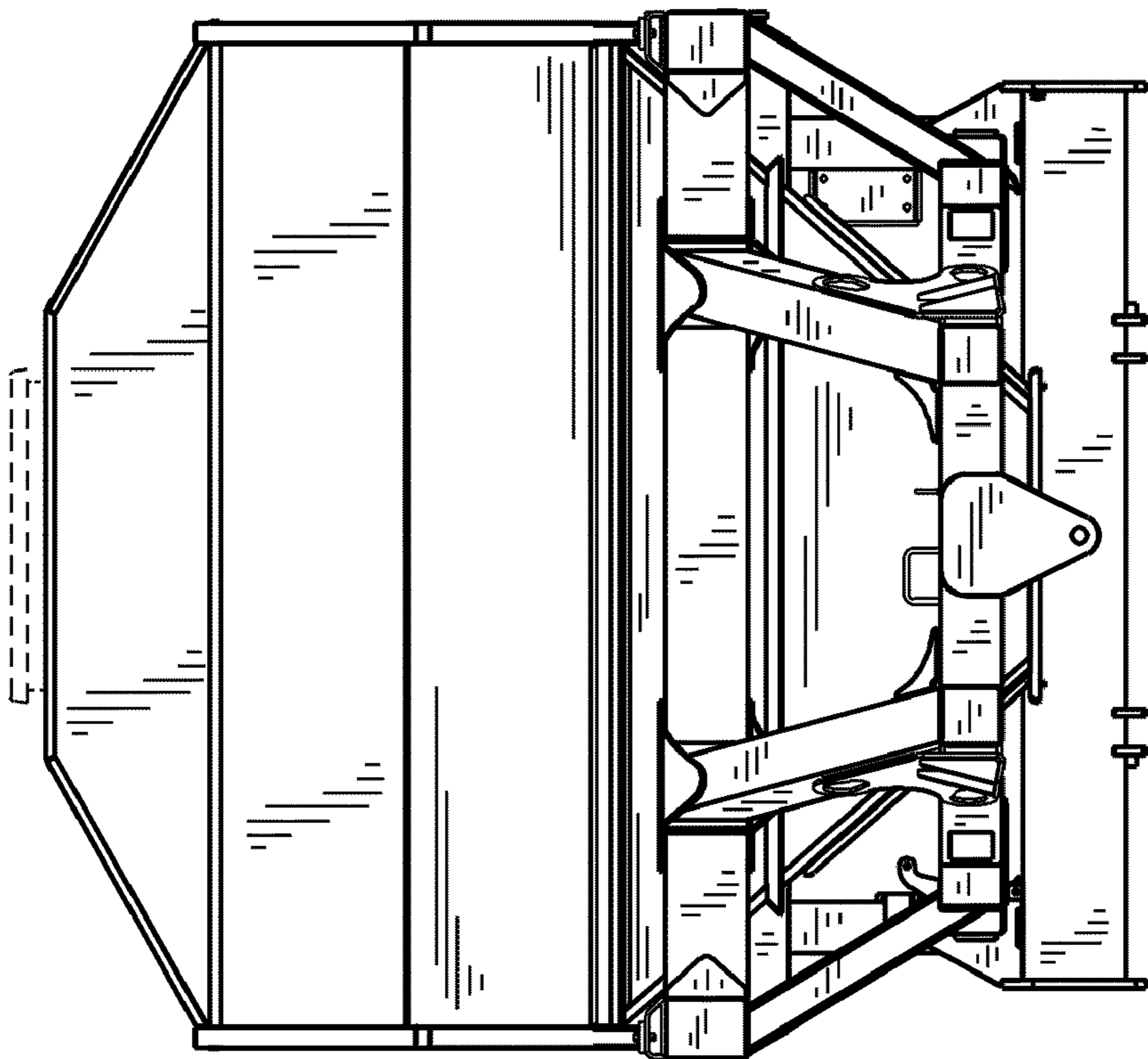


FIG. 6

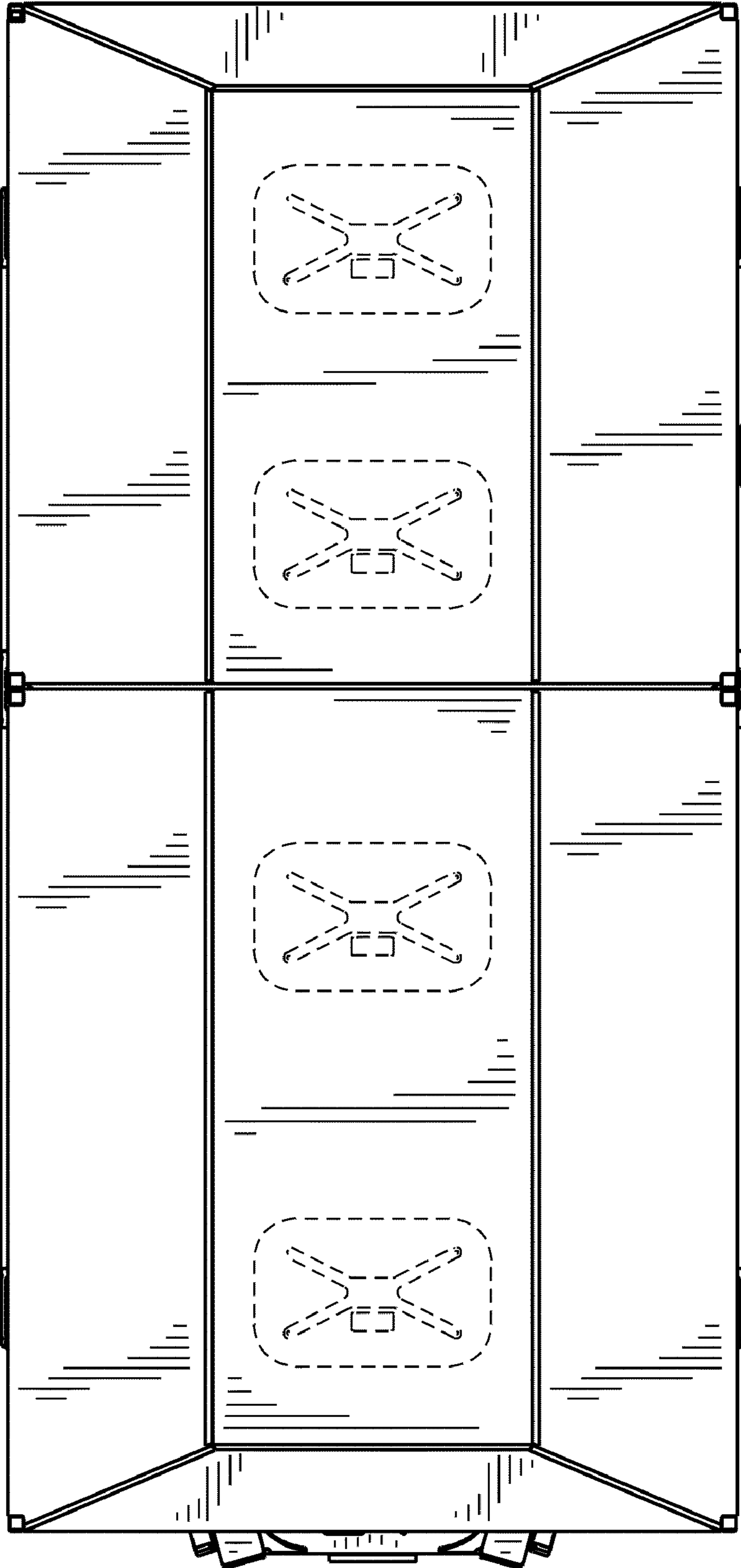


FIG. 7

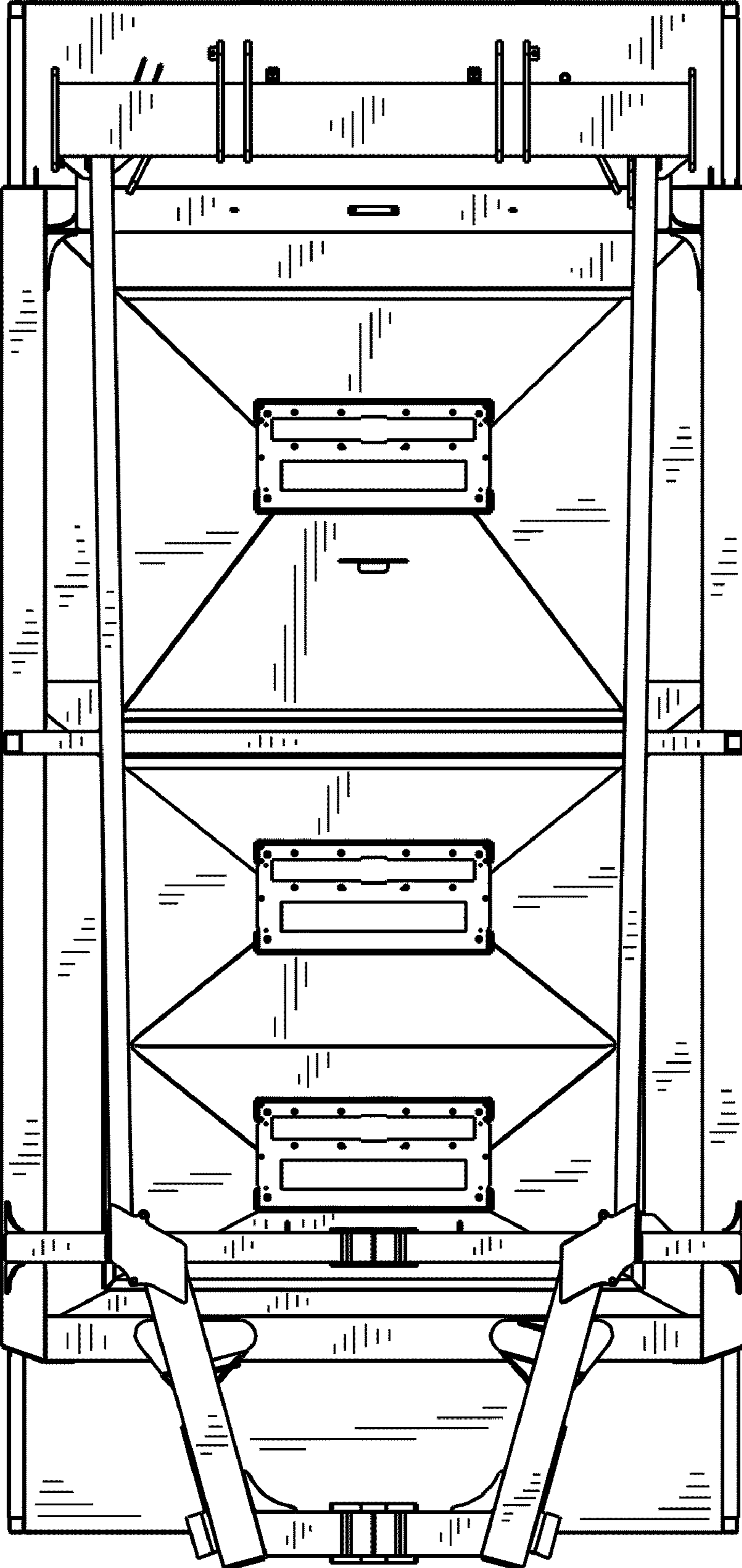


FIG. 8