



US00D645883S

(12) **United States Design Patent**
Azevedo et al.

(10) **Patent No.:** **US D645,883 S**
(45) **Date of Patent:** **** Sep. 27, 2011**

- (54) **PISTON LOWER CROWN**
- (75) Inventors: **Miguel Azevedo**, Ann Arbor, MI (US);
Andrew Leibold, Monroe, MI (US)
- (73) Assignee: **Federal-Mogul Corporation**,
Southfield, MI (US)
- (**) Term: **14 Years**
- (21) Appl. No.: **29/346,124**
- (22) Filed: **Oct. 27, 2009**
- (51) **LOC (9) Cl.** **15-01**
- (52) **U.S. Cl.** **D15/5**
- (58) **Field of Classification Search** D15/1-5,
D15/7; 123/193.6, 47 A, 47 R, 41.35, 661,
123/659

See application file for complete search history.

(56) **References Cited**

U.S. PATENT DOCUMENTS

- 1,336,690 A 4/1920 Flammang
- 1,336,691 A 4/1920 Flammang
- 1,351,238 A 8/1920 Flammang
- 1,387,593 A 8/1921 Crispin
- 1,758,444 A 3/1922 Jehle et al.
- 1,592,874 A 7/1926 Udate
- 1,719,092 A 7/1929 Taylor
- 1,759,110 A 5/1930 Graves
- 1,783,477 A * 12/1930 Mansfield 92/160
- 1,961,886 A * 6/1934 Larger 92/237
- 2,032,849 A 3/1936 Nelson
- 2,046,789 A * 7/1936 Norton 92/233
- 2,147,956 A 2/1939 Alexandrescu
- D122,922 S * 10/1940 Flammang at al. D15/5
- D138,548 S * 8/1944 Toce et al. D15/5
- 3,307,456 A 3/1967 Etienne
- 3,906,923 A * 9/1975 Harker 123/193.4
- 4,354,426 A 10/1982 Steidle
- D286,780 S * 11/1986 Collyear et al. D15/5
- D286,781 S * 11/1986 Collyear et al. D15/5
- D287,599 S * 1/1987 Murray D15/5

- 4,674,399 A 6/1987 Bruni
- 4,691,622 A 9/1987 Sander et al.
- 4,702,151 A 10/1987 Munro et al.
- 4,704,949 A 11/1987 Foster
- 4,715,267 A 12/1987 Richmond
- 4,809,652 A 3/1989 Essig et al.
- 4,876,947 A 10/1989 Rhodes
- 4,989,559 A 2/1991 Fletcher-Jones
- D322,969 S * 1/1992 Ballheimer et al. D15/5
- D373,773 S * 9/1996 Hund, Jr. D15/5
- D377,493 S * 1/1997 Oda et al. D15/5
- D383,761 S * 9/1997 Huntzinger D15/5
- D399,212 S * 10/1998 Roderweiss et al. D15/5
- 6,526,871 B1 * 3/2003 Zhu et al. 92/231
- 6,845,741 B2 * 1/2005 Saruwatari et al. 123/193.6

(Continued)

FOREIGN PATENT DOCUMENTS

- DE 3428490 A1 2/1966

(Continued)

Primary Examiner — T. Chase Nelson

Assistant Examiner — Ania K Dworzecka

(74) *Attorney, Agent, or Firm* — Robert L. Stearns;
Dickinson Wright, PLLC

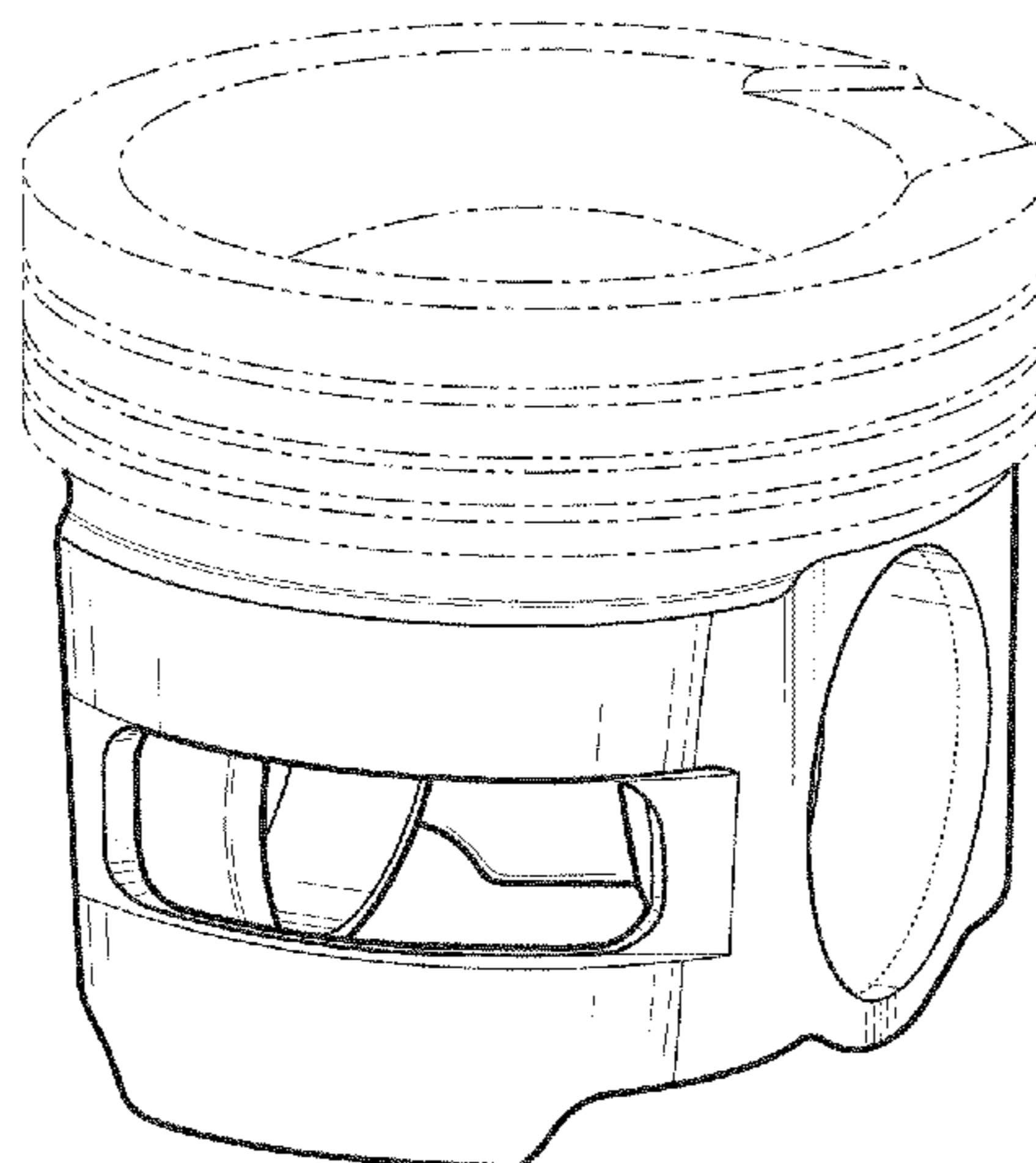
(57) **CLAIM**

We claim the ornamental design for a piston lower crown, as shown and described.

DESCRIPTION

FIG. 1 is a perspective view of the piston lower crown;
 FIG. 2 is a side view of the piston lower crown looking transversely to a pin bore axis;
 FIG. 3 is front view of the piston lower crown looking along the pin bore axis; and,
 FIG. 4 is a bottom view of the piston lower crown.
 The broken line portions of the piston are for the purpose of illustrating environmental piston structure and forms no part of the claimed design.

1 Claim, 2 Drawing Sheets



US D645,883 S

Page 2

U.S. PATENT DOCUMENTS

D609,247 S * 2/2010 Naegele et al. D15/5

FOREIGN PATENT DOCUMENTS

DE 3437111 4/1986
EP 030399 11/1980
EP 0043147 A1 1/1982
EP 0050257 A1 4/1982

FR 661603 10/1928
GB 615274 1/1949
JP 04109066 A 4/1992
JP 10122040 A 5/1998
KR 1019970045043 A 7/1997
KR 1019990042865 A 6/1999
KR 1019990042869 A 6/1999

* cited by examiner

FIG. 1

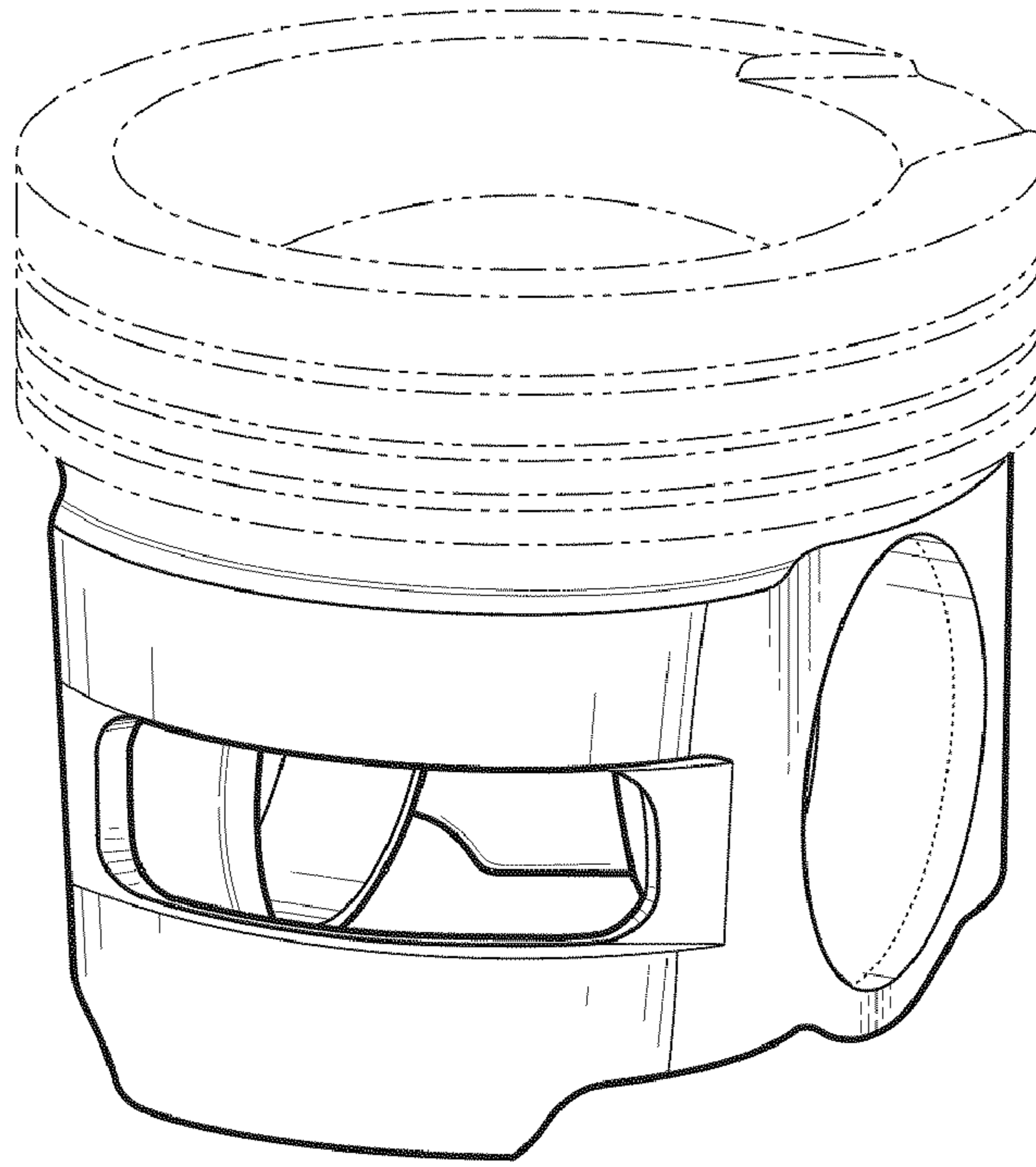


FIG. 2

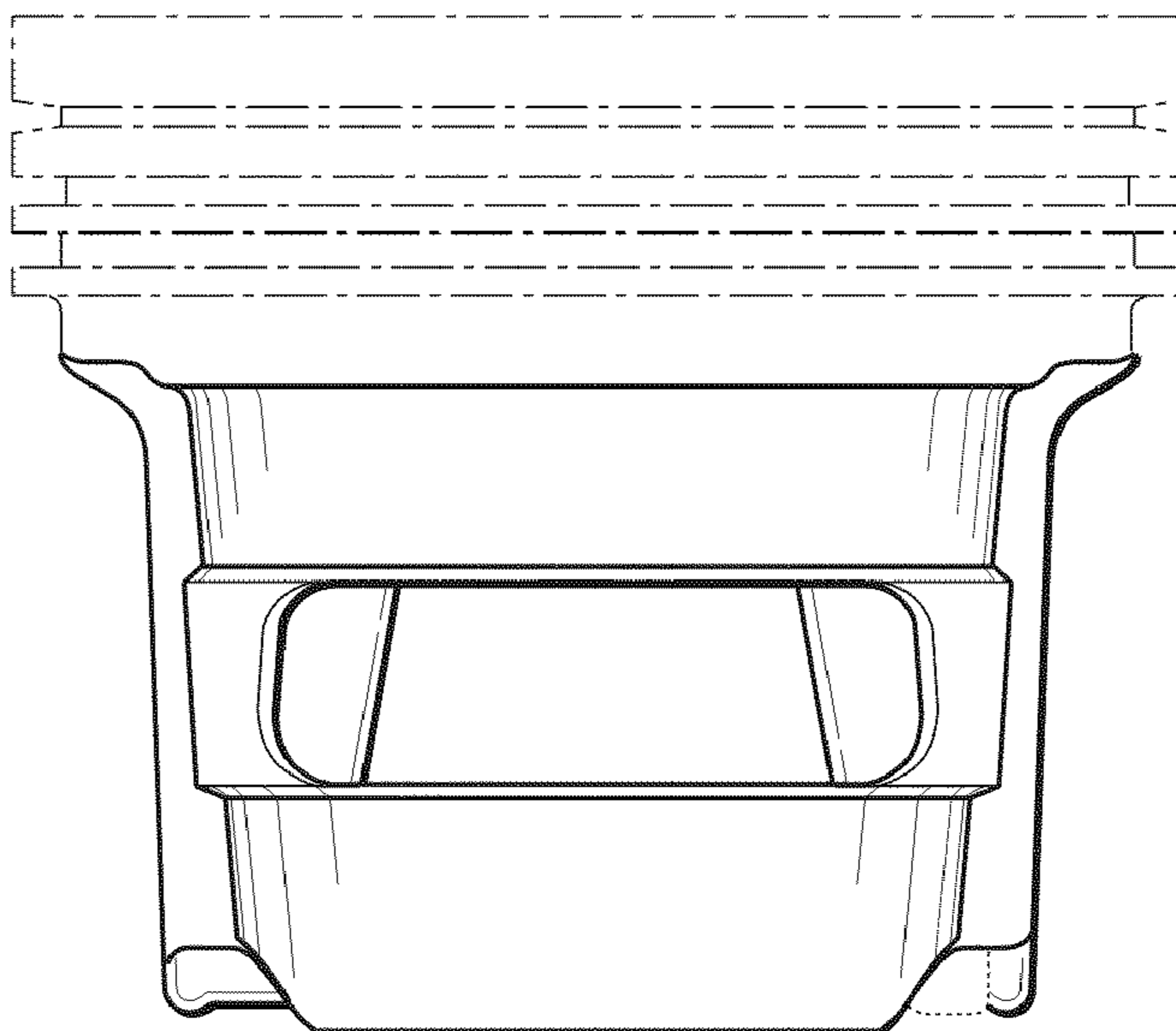


FIG. 3

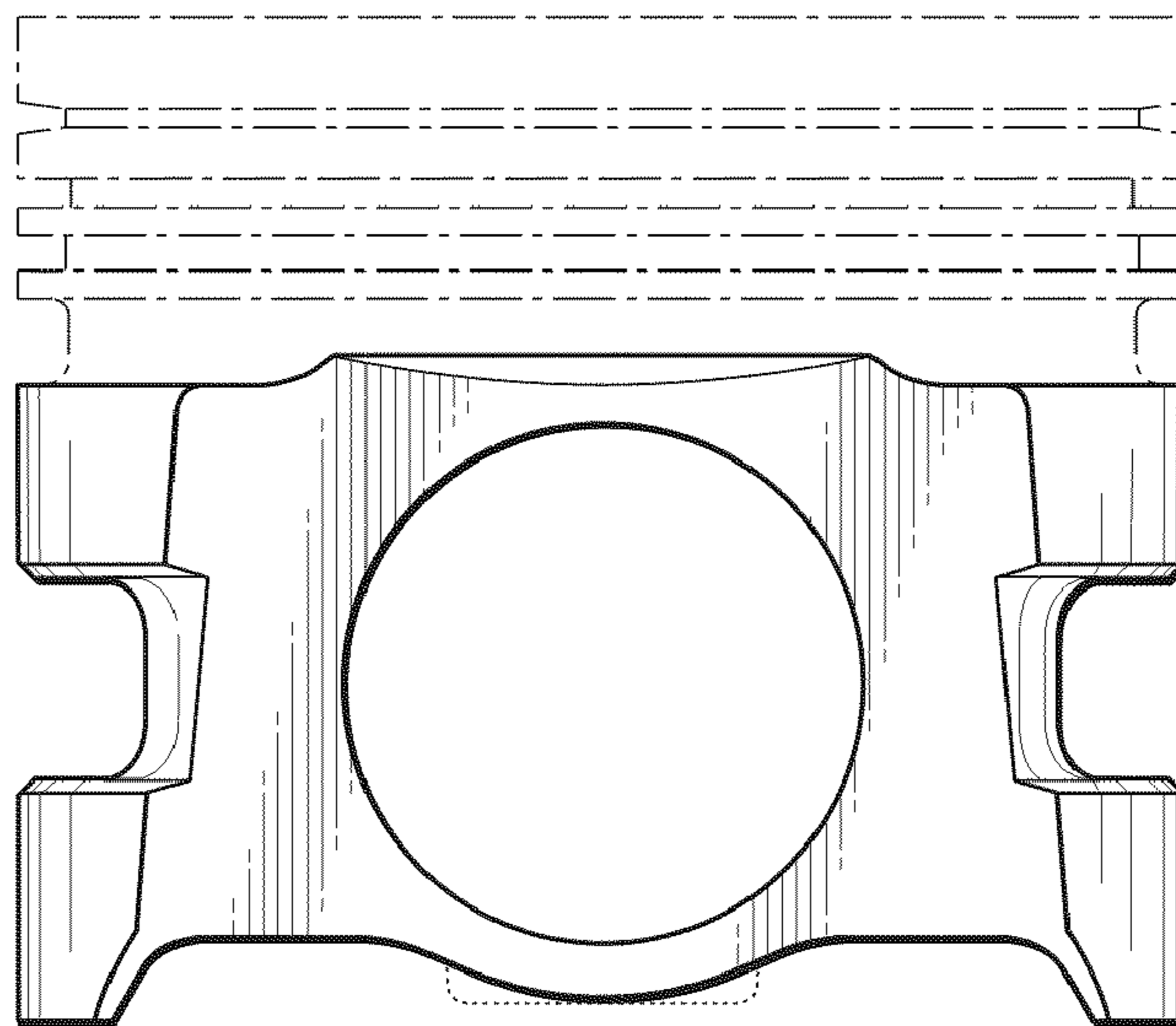


FIG. 4

