



US00D645869S

(12) **United States Design Patent**
Hathway et al.

(10) **Patent No.:** **US D645,869 S**

(45) **Date of Patent:** **** Sep. 27, 2011**

(54) **WIRELESS MODEM**

(75) Inventors: **James Hathway**, Richmond (CA);
Randy Wilfred Hackbart, Burnaby
(CA); **Matthew Plested**, Farnham (GB);
Hugo Martin, Farnham (GB); **Tan**
Tran, Farnham (GB); **Gus Desbarats**,
Farnham (GB)

(73) Assignee: **Sierra Wireless, Inc.**, Richmond, British
Columbia (CA)

(**) Term: **14 Years**

(21) Appl. No.: **29/380,688**

(22) Filed: **Dec. 9, 2010**

(51) **LOC (9) Cl.** **14-02**

(52) **U.S. Cl.** **D14/480.6; D14/242**

(58) **Field of Classification Search** D14/411,
D14/433, 435.1, 436, 480.1–480.7, 484.1,
D14/137, 155, 203.1–203.8, 240, 242; D3/201,
D3/273; D13/107, 108, 133, 154, 184; 710/300,
710/301; 439/131, 135–147
See application file for complete search history.

(56) **References Cited**

U.S. PATENT DOCUMENTS

D488,158	S *	4/2004	Chen et al.	D14/480.5
6,786,743	B2 *	9/2004	Huang	439/131
D516,535	S *	3/2006	Barad	D14/155
7,066,753	B1 *	6/2006	Tseng	439/259
D532,776	S *	11/2006	Griffin	D14/435.1
7,179,099	B2 *	2/2007	Hsieh	439/131
D596,641	S *	7/2009	Scheibenzuber et al.	..	D14/480.7
D612,384	S *	3/2010	Kim et al.	D14/435.1
D618,227	S *	6/2010	Han	D14/242
D619,999	S *	7/2010	Wu et al.	D14/240
D624,552	S *	9/2010	Lee et al.	D14/480.5
7,824,186	B2 *	11/2010	Zhao et al.	439/131
D637,587	S *	5/2011	Pan	D14/242
2010/0221936	A1 *	9/2010	Zhao et al.	439/135
2011/0130018	A1 *	6/2011	Gao et al.	439/131

* cited by examiner

Primary Examiner — Cathron Brooks

Assistant Examiner — Karen E Kearney

(74) *Attorney, Agent, or Firm* — Gottlieb, Rackman &
Reisman, P.C.

(57) **CLAIM**

The ornamental design for a wireless modem, as shown and
described.

DESCRIPTION

FIG. 1 is a right side elevational view of the wireless modem
of our new design in a closed configuration, the left side
elevational view being a mirror image thereof;

FIG. 2 is a front elevational view of the wireless modem
shown in FIG. 1;

FIG. 3 is a rear elevational view of the wireless modem shown
in FIG. 1;

FIG. 4 is a top plan view of the wireless modem shown in FIG.
1;

FIG. 5 is a bottom plan view of the wireless modem shown in
FIG. 1;

FIG. 6 is a front perspective view of the wireless modem in
FIG. 1;

FIG. 7 is a rear perspective view of the wireless modem
shown in FIG. 1;

FIG. 8 is a right side elevational view of the wireless modem
of our new design in an open configuration, the left side
elevational view being a mirror image thereof;

FIG. 9 is a front elevational view of the wireless modem
shown in FIG. 8;

FIG. 10 is a rear elevational view of the wireless modem
shown in FIG. 8;

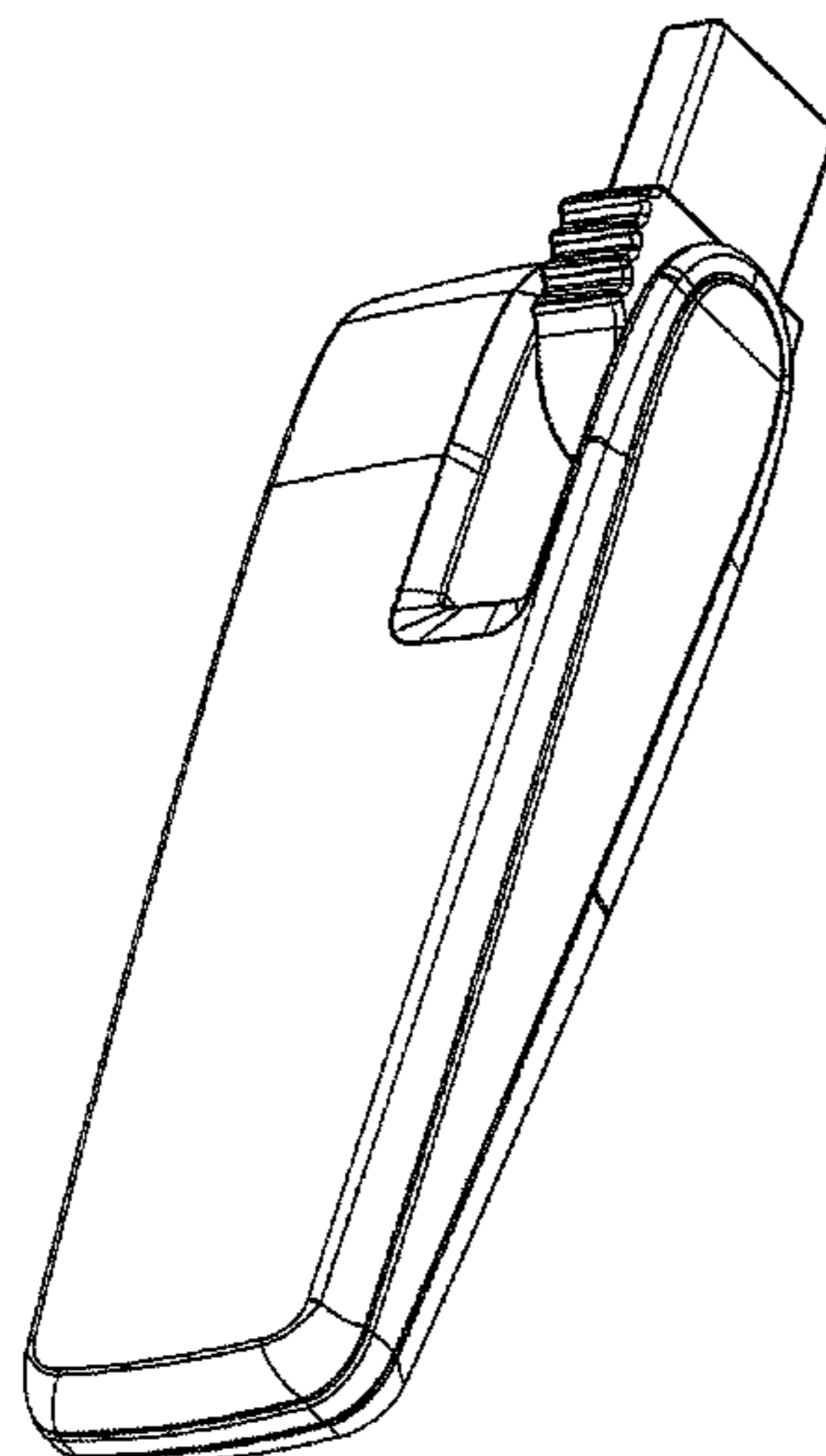
FIG. 11 is a top plan view of the wireless modem shown in
FIG. 8;

FIG. 12 is a bottom plan view of the wireless modem shown
in FIG. 8;

FIG. 13 is a front perspective view of the wireless modem
shown in FIG. 8; and,

FIG. 14 is a rear perspective view of the wireless modem
shown in FIG. 8.

1 Claim, 10 Drawing Sheets



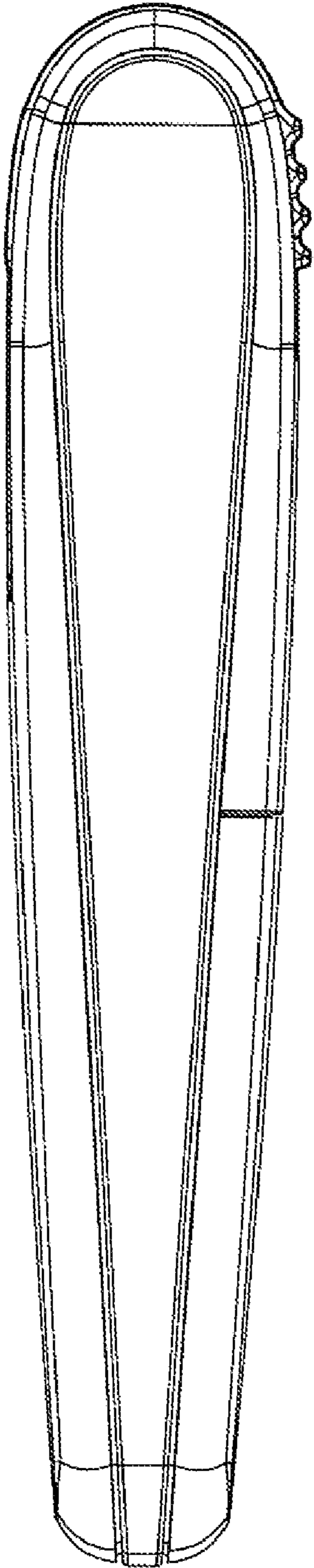


FIG. 1

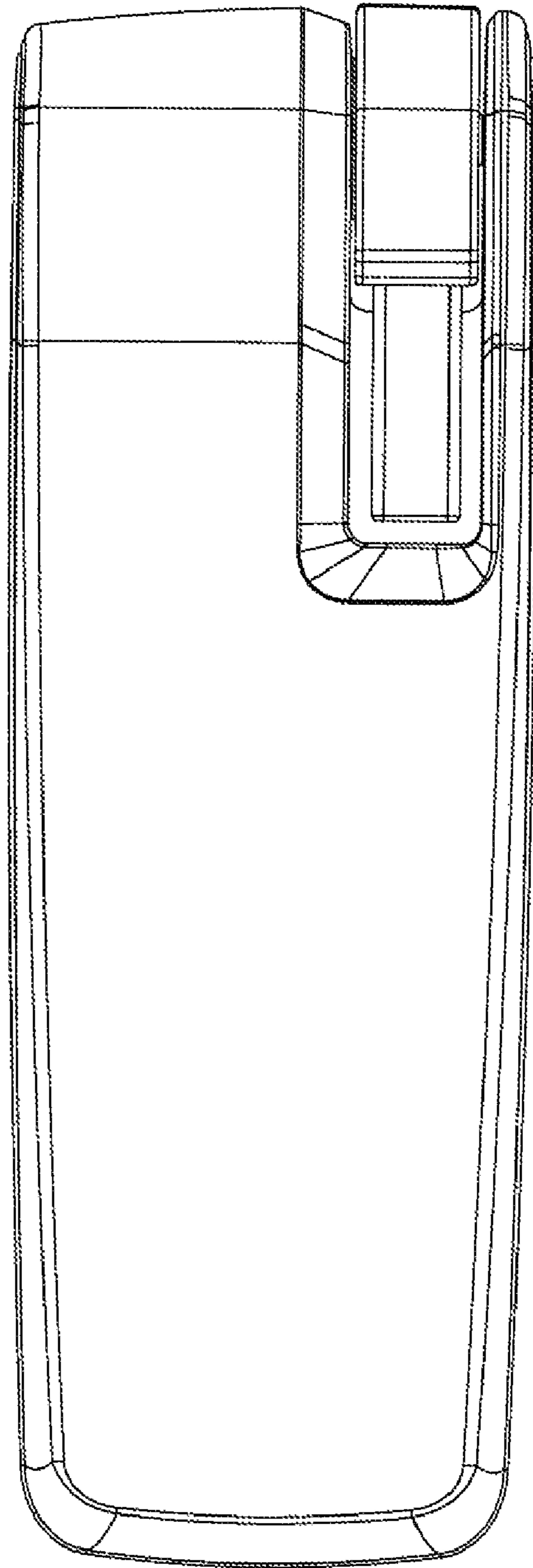


FIG. 2

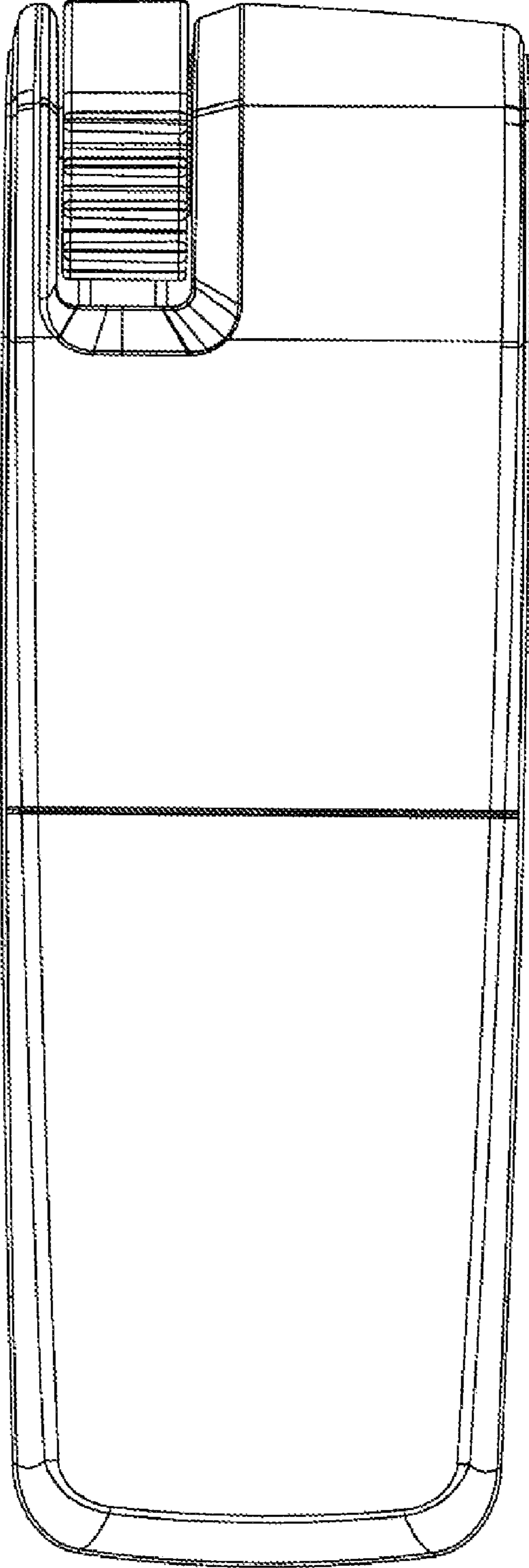


FIG. 3

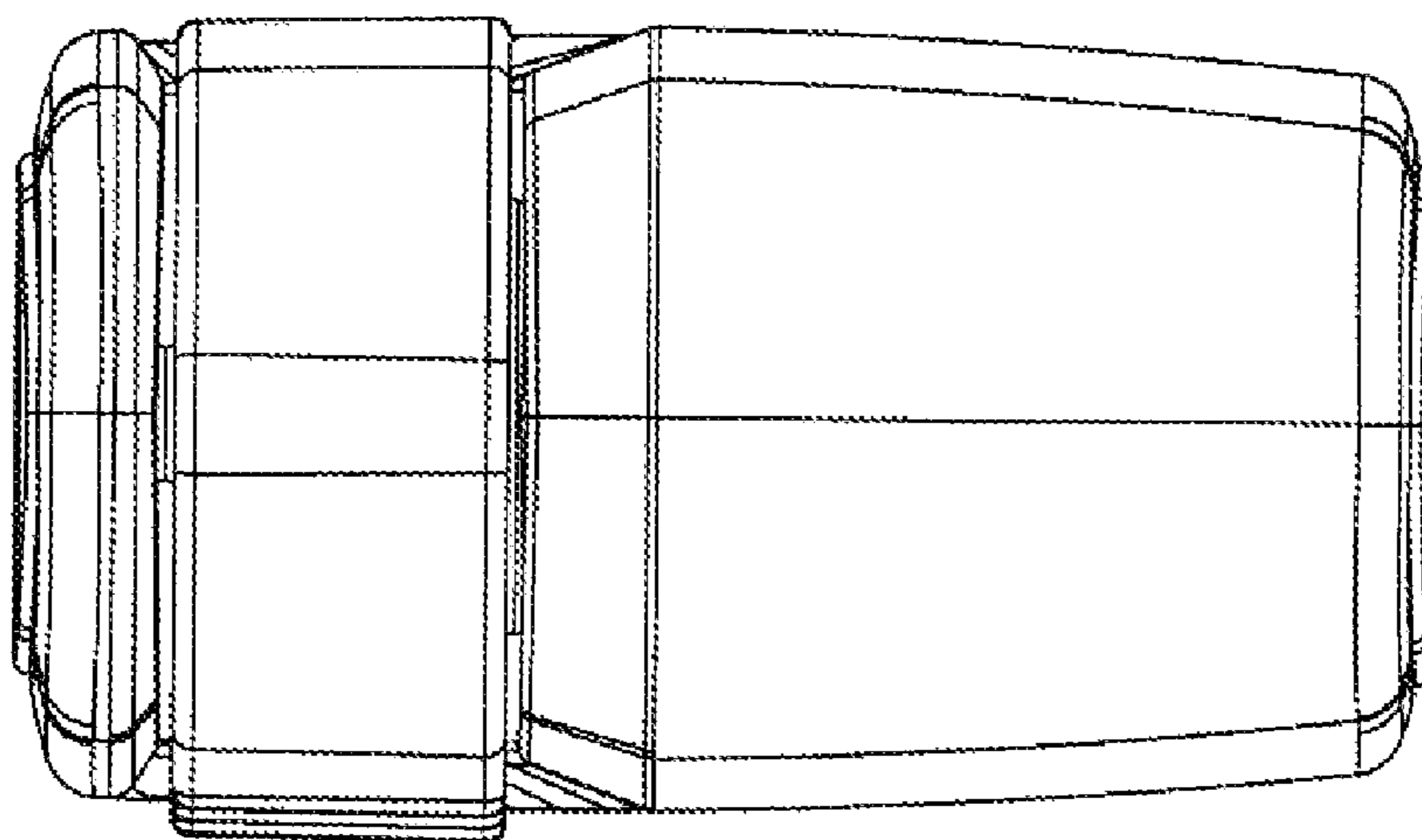


FIG. 4

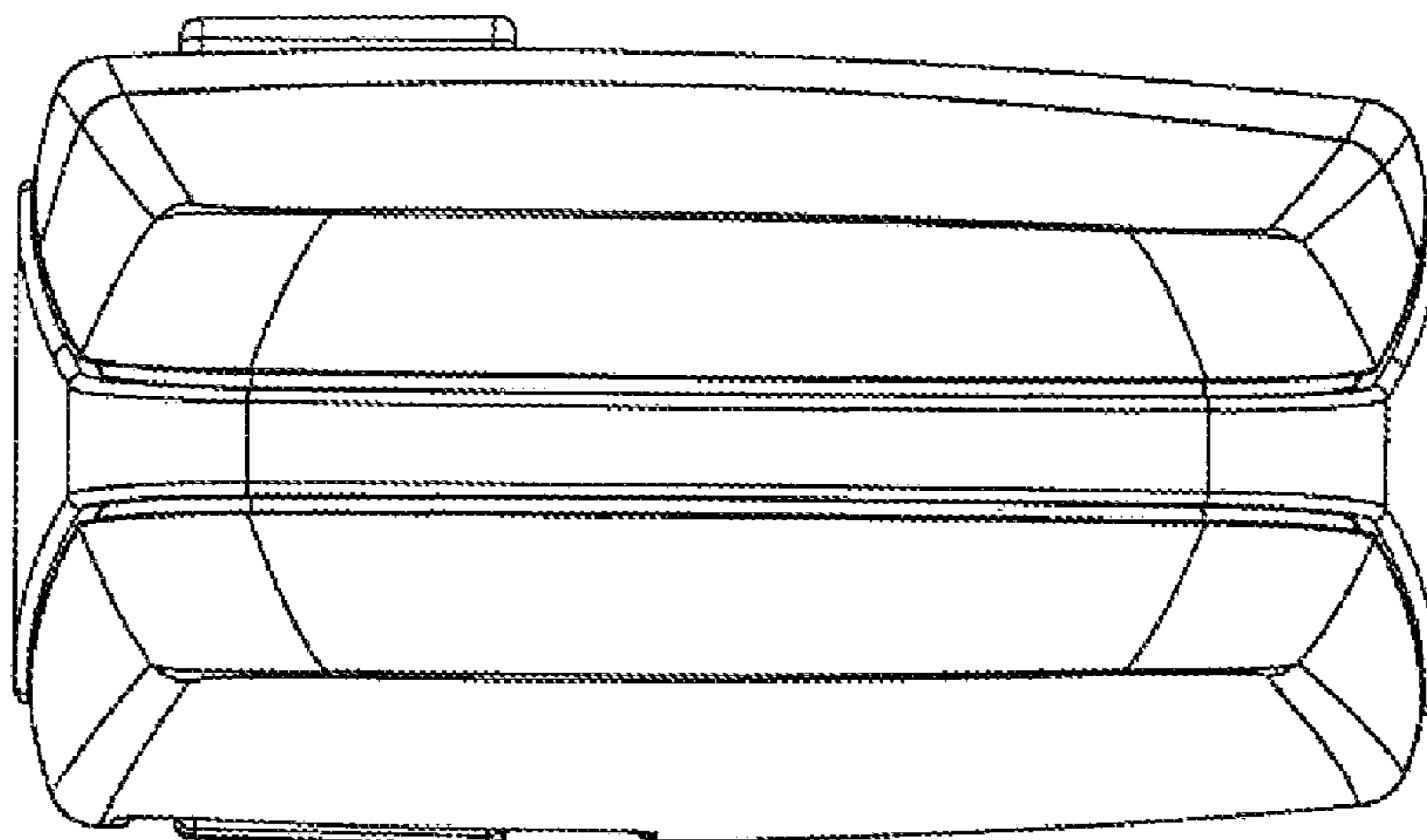


FIG. 5

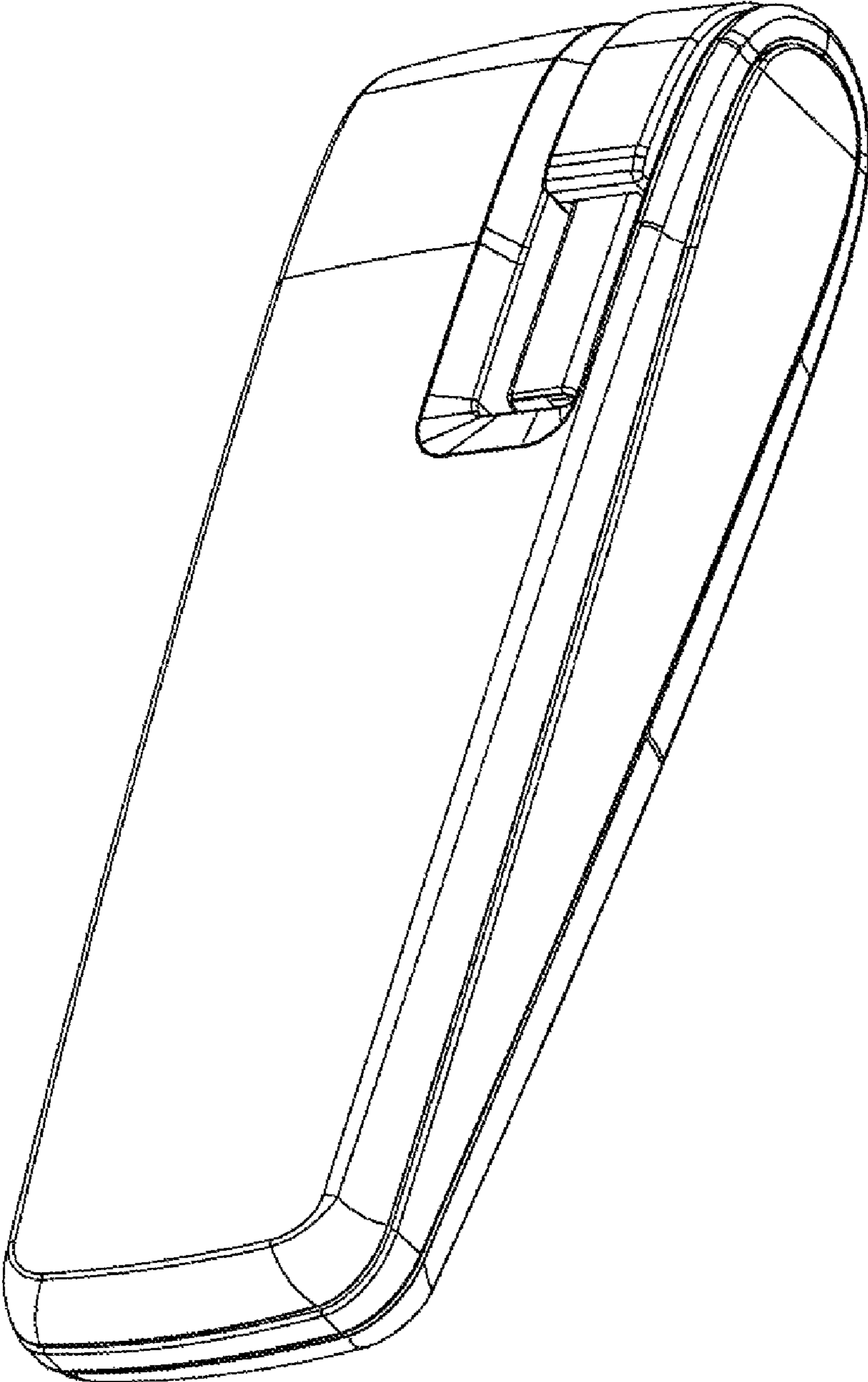


FIG. 6

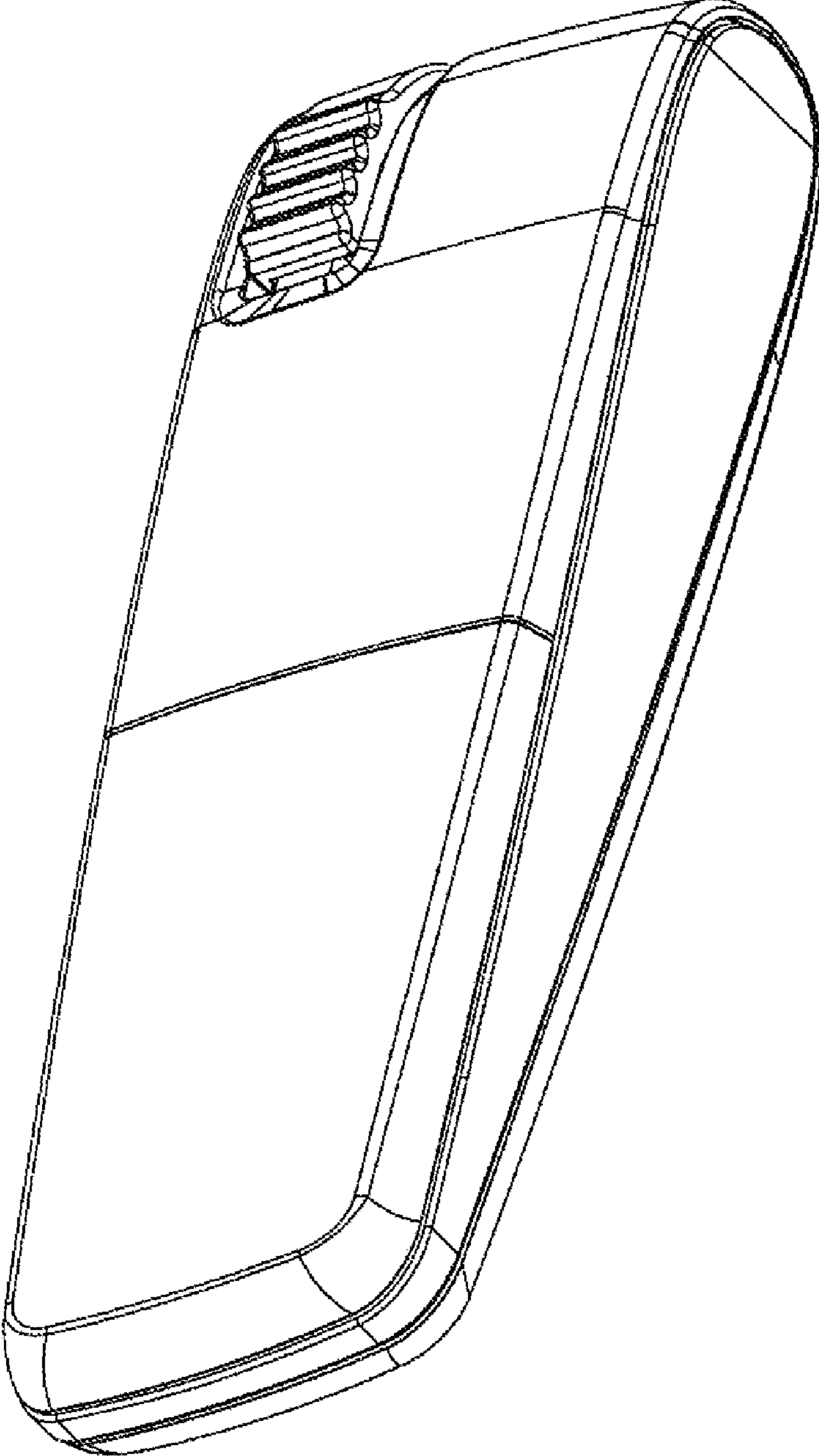


FIG. 7

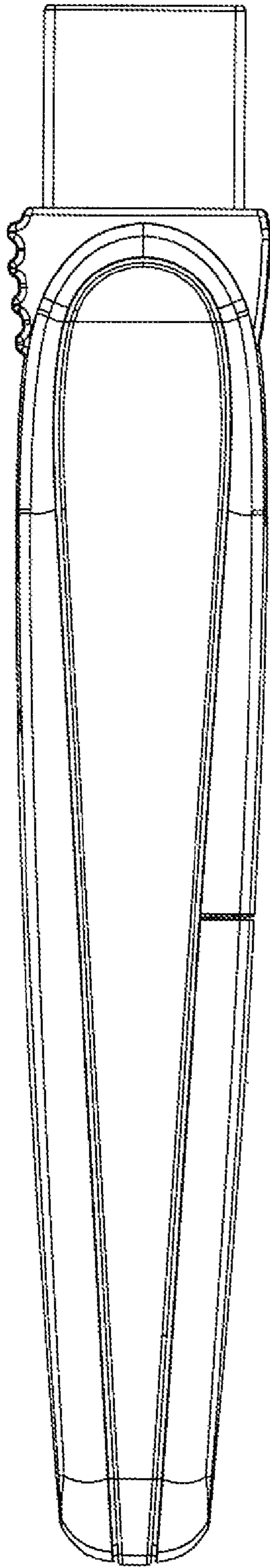


FIG. 8

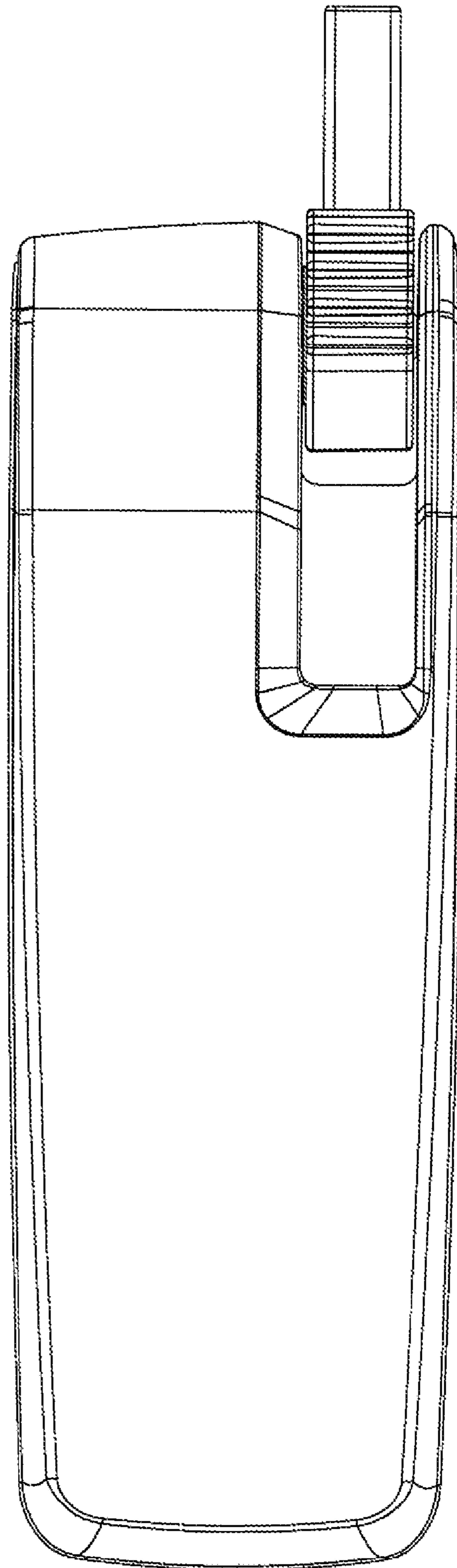


FIG. 9

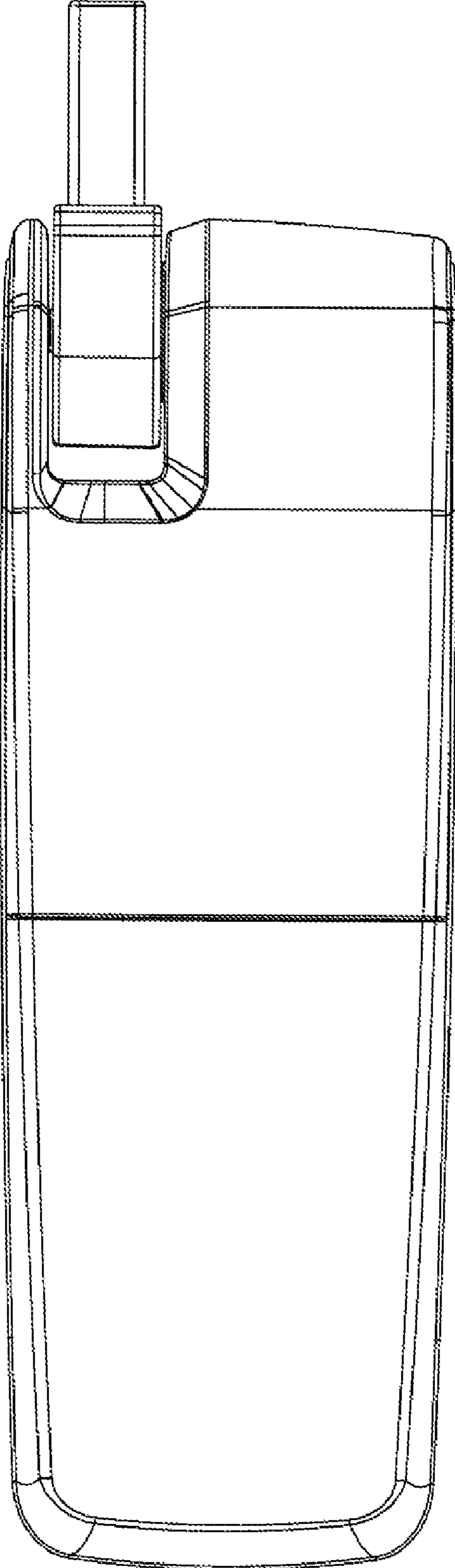


FIG. 10

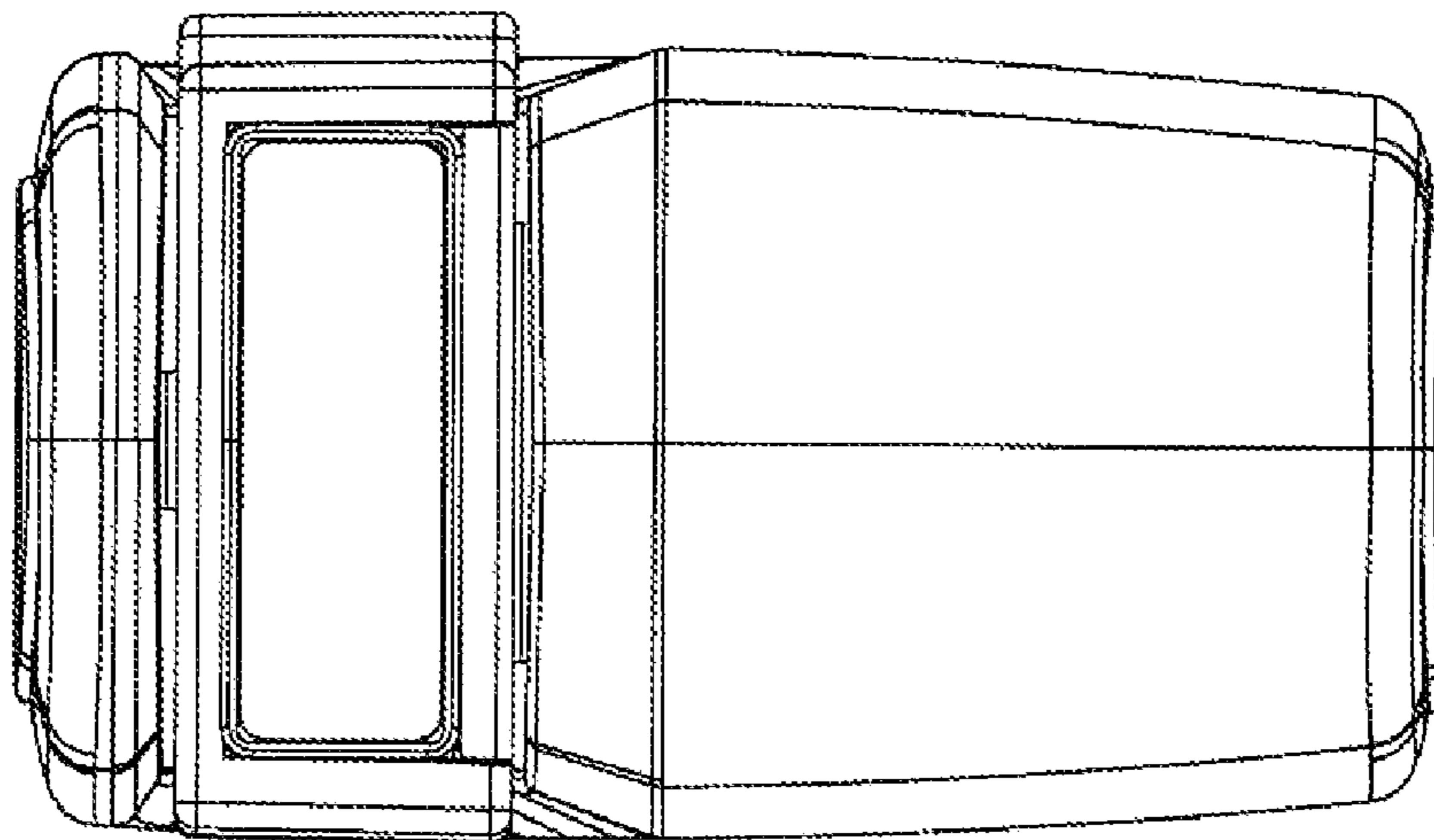


FIG. 11

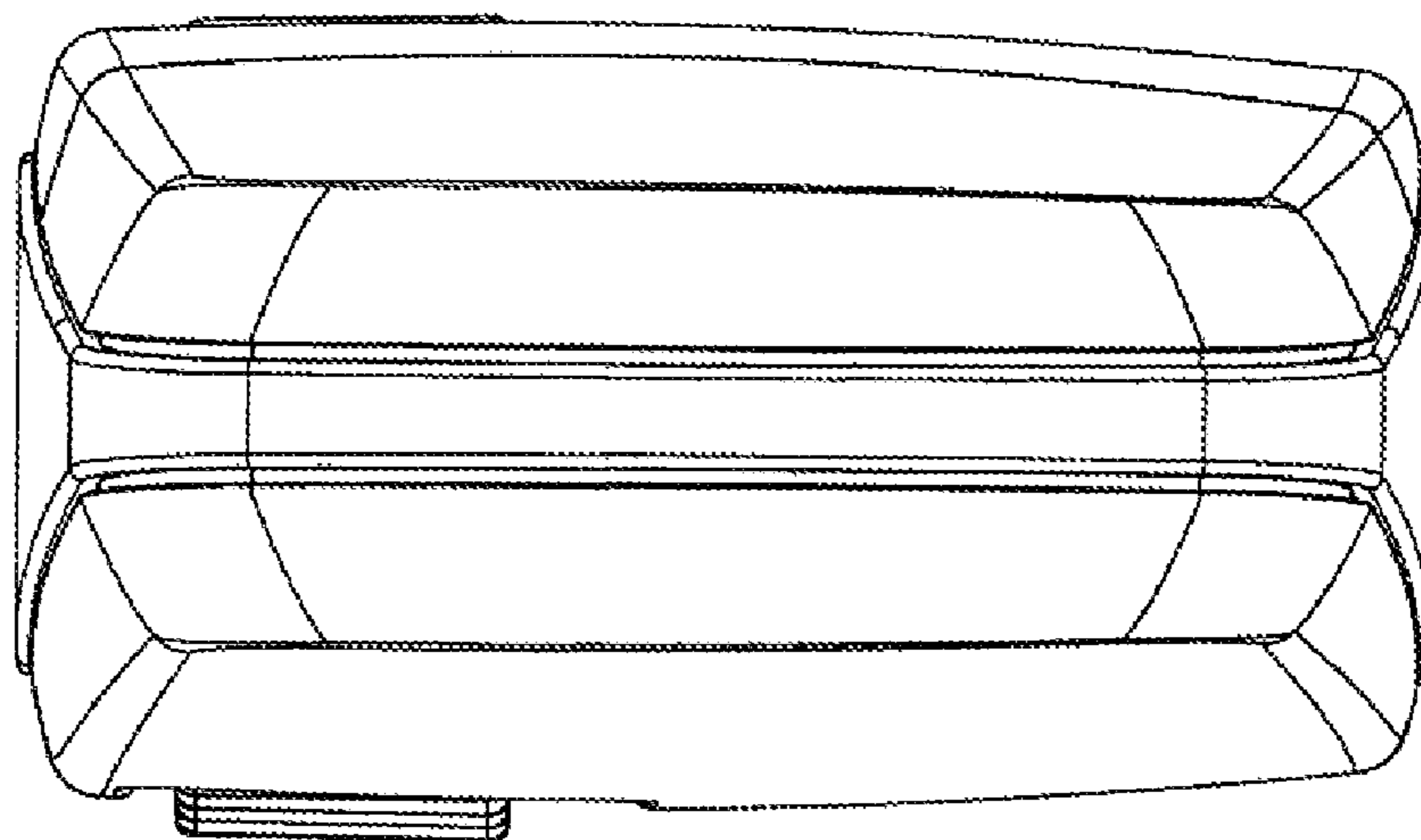


FIG. 12

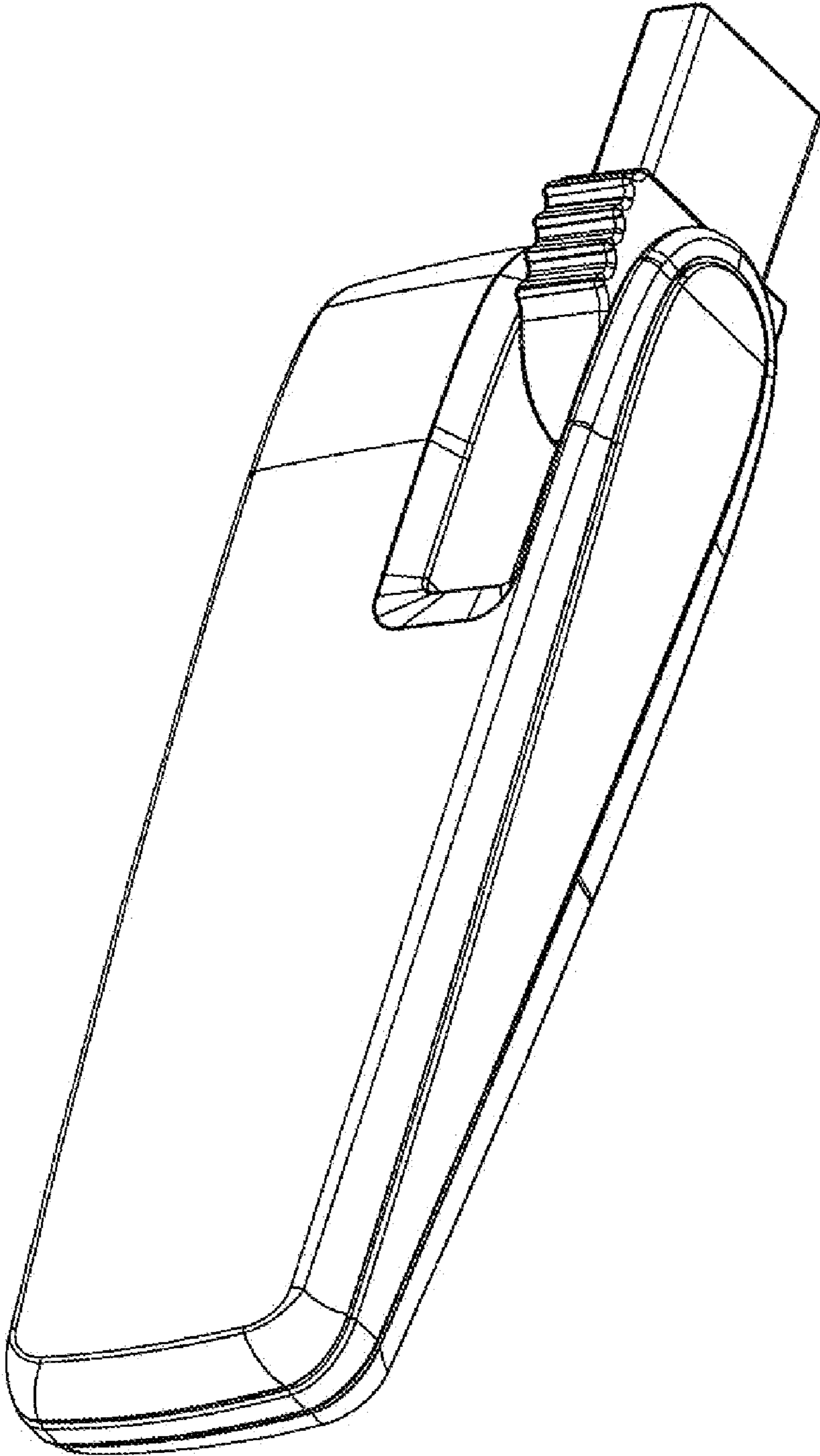


FIG. 13

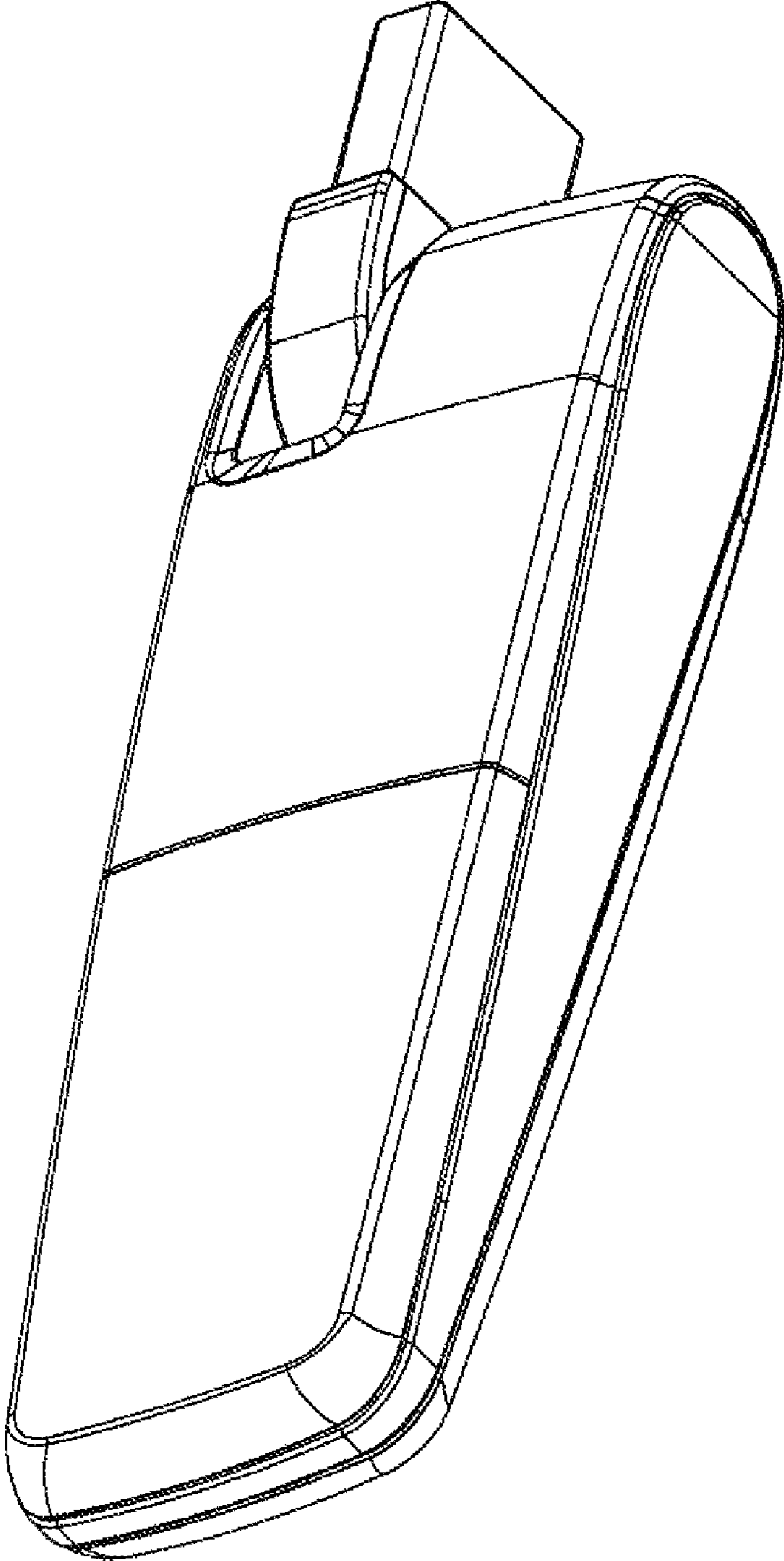


FIG. 14