



US00D645868S

(12) **United States Design Patent**
Lau et al.

(10) **Patent No.:** **US D645,868 S**

(45) **Date of Patent:** **** Sep. 27, 2011**

(54) **DISPLAY SUPPORT**

(75) Inventors: **Alex Lau**, London (GB); **Andrew Wills**, London (GB)

(73) Assignee: **Colebrook Bosson Saunders (Products) Limited**, Chippenham, Wiltshire (GB)

(**) Term: **14 Years**

(21) Appl. No.: **29/380,613**

(22) Filed: **Dec. 8, 2010**

(30) **Foreign Application Priority Data**

Jun. 9, 2010 (EM) 001219471

(51) **LOC (9) Cl.** **08-07**

(52) **U.S. Cl.** **D14/452**

(58) **Field of Classification Search** D14/447, D14/451, 452, 373, 374, 375, 376, 432, 434, D14/439, 448, 457, 126, 127, 129, 203.8, D14/217, 224, 224.1, 238.1, 239, 251, 253; D8/363, 373, 380; D6/406.1, 406.2, 406.3, D6/406.4, 406.5, 406.6, 429, 462; 248/917-924, 248/441.1, 443, 445, 446, 447, 447.1, 453, 248/454, 455, 460, 463, 465.1, 472, 131, 248/150, 155.2, 155.4, 166, 434, 188.6, 346.3, 248/324; 361/679.02, 679.04, 679.06, 679.07, 361/679.09, 679.21, 679.26, 679.27, 679.3, 361/679.55, 379.56; 379/454, 455; 312/223.3

See application file for complete search history.

(56) **References Cited**

U.S. PATENT DOCUMENTS

1,078,577 A 11/1913 Fox
D337,333 S * 7/1993 Turk D14/251
(Continued)

FOREIGN PATENT DOCUMENTS

DE 10013445 A1 10/2000
(Continued)

OTHER PUBLICATIONS

DPG, Cygnus Gas Lift Arm (Silver) up to 10kg, 1 page.

(Continued)

Primary Examiner — Angela J Lee

(74) *Attorney, Agent, or Firm* — Brinks Hofer Gilson & Lione

(57) **CLAIM**

The ornamental design for a display support, as shown and described.

DESCRIPTION

FIG. 1 is a front perspective view of a portion of a display support in a first configuration;

FIG. 2 is a rear perspective view of the portion of the display support shown in FIG. 1;

FIG. 3 is a top view of the portion of the display support shown in FIG. 1;

FIG. 4 is a bottom view of the portion of the display support shown in FIG. 1;

FIG. 5 is a front view of the portion of the display support shown in FIG. 1;

FIG. 6 is a rear view of the portion of the display support shown in FIG. 1;

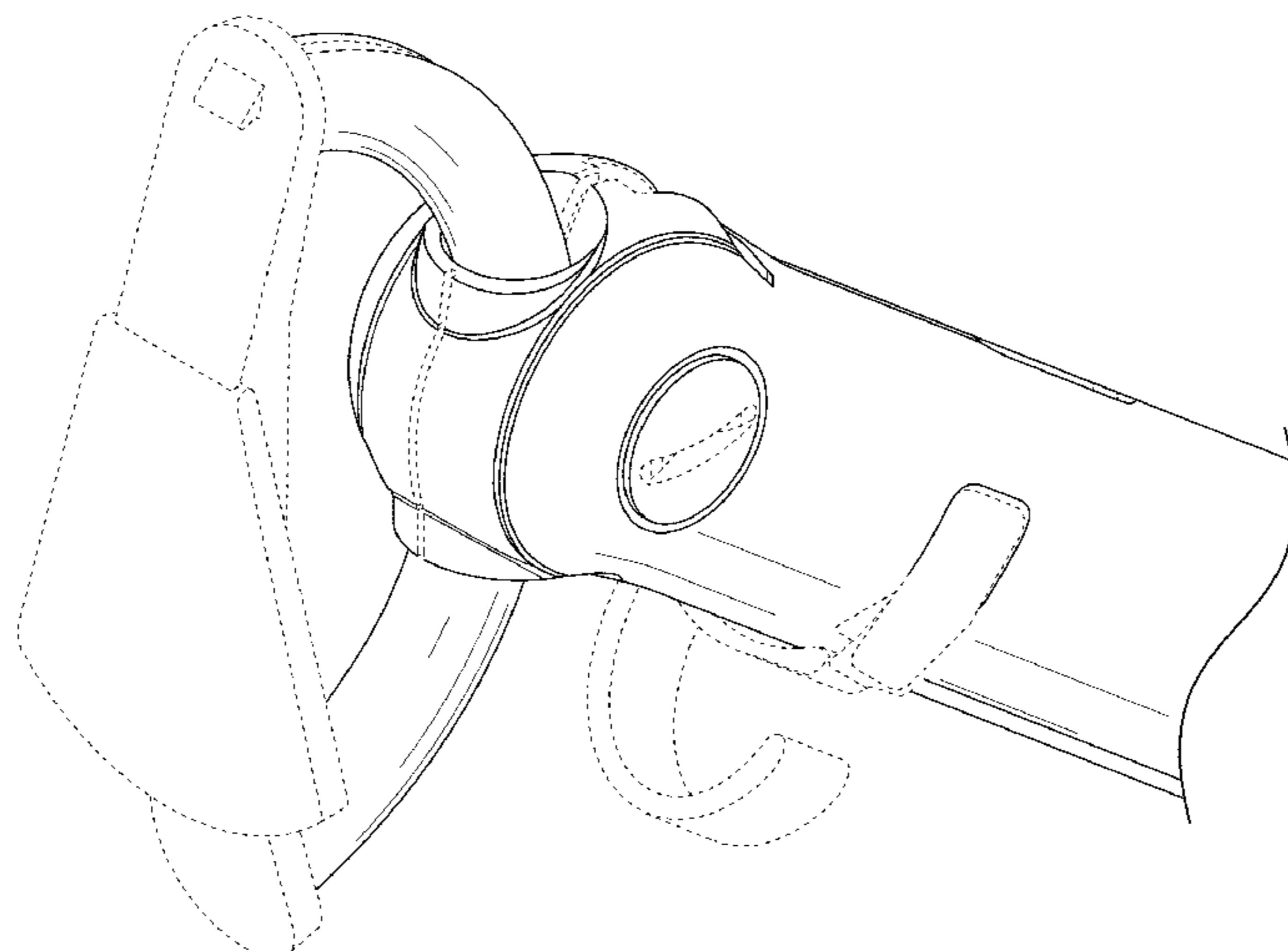
FIG. 7 is a left side view of the portion of the display support shown in FIG. 1;

FIG. 8 is a rear perspective view of the portion of the display support shown in FIG. 1, but shown in an alternate position; and,

FIG. 9 is a left side view of the portion of the display support shown in FIG. 1, but shown in an alternate position.

The broken lines showing various aspects of the portion of the display support shown in FIGS. 1-9 are for environmental purposes only and do not form any part of the claimed design. The right side of the portion of the display support shown in FIGS. 1-9 is a mirror image of the left side with the exception of the unclaimed clip, and accordingly only the left side is shown in the Figures.

1 Claim, 6 Drawing Sheets



US D645,868 S

Page 2

U.S. PATENT DOCUMENTS

5,340,072	A	8/1994	Halbirt	
5,348,260	A	9/1994	Acevedo	
5,826,846	A	10/1998	Buccieri et al.	
5,842,672	A	12/1998	Sweere et al.	
5,884,880	A	3/1999	Rice	
5,975,472	A	11/1999	Hung	
6,012,693	A	1/2000	Voeller et al.	
6,062,148	A	5/2000	Hodge et al.	
6,164,612	A	12/2000	Schmitt	
D435,852	S *	1/2001	Oddsens, Jr.	D14/452
6,261,023	B1	7/2001	Schmitt et al.	
6,398,172	B1	6/2002	Rousek et al.	
6,896,230	B2	5/2005	Cvek	
6,905,101	B1	6/2005	Dittmer	
6,947,211	B2	9/2005	Metelski	
D518,063	S *	3/2006	Piazza et al.	D14/452
D537,323	S *	2/2007	Saez	D8/363
7,198,237	B2	4/2007	Cho et al.	
7,207,537	B2 *	4/2007	Hung	248/284.1
D544,489	S *	6/2007	Oddsens et al.	D14/452
7,252,277	B2	8/2007	Sweere et al.	
7,289,315	B2	10/2007	Hillman et al.	
D562,114	S *	2/2008	Chiu et al.	D8/363
D570,853	S *	6/2008	Derry et al.	D14/452
D577,731	S *	9/2008	Altonji et al.	D14/452
7,438,269	B2	10/2008	Pfister et al.	
7,494,104	B2	2/2009	Baek	
7,694,927	B2 *	4/2010	Chuang	248/276.1
D631,052	S *	1/2011	Hung	D14/452
2003/0075653	A1	4/2003	Li	
2004/0189890	A1	9/2004	Yen et al.	
2004/0245419	A1	12/2004	Sweere et al.	
2005/0252336	A1	11/2005	Coral et al.	

2006/0060735	A1 *	3/2006	Oddsens, et al.	248/278.1
2006/0226326	A1	10/2006	Asamarai et al.	
2007/0102596	A1	5/2007	Sung	
2007/0181762	A1	8/2007	Dittmer	
2007/0194196	A1	8/2007	Pfister et al.	
2008/0029661	A1 *	2/2008	Chen	248/176.1
2008/0054133	A1	3/2008	Huang	
2009/0050760	A1	2/2009	Duff	
2009/0146024	A1	6/2009	Duan	
2009/0166501	A1	7/2009	Wang et al.	

FOREIGN PATENT DOCUMENTS

DE	202006010262	U1	6/2006
EP	1471300	A2	10/2004
EP	1471300	A3	4/2005
GB	2366083	A	2/2002
GB	2438581	A	12/2007
WO	WO 2007/137905	A1	12/2007
WO	WO 2008/092457	A1	8/2008

OTHER PUBLICATIONS

Ergotron, 45-241-026 LX Desk Mount LCD Arm, 3 pages.
 Ergotron, 45-214-026 MX Desk Mount LCD Arm, 2 pages.
 Ergotron, 45-174-300 Neo Flex® LCD Arm, 2 pages.
 Ergotron, 33-310-060 Neo Flex® LCD Stand, 2 pages.
 Hafele UK Ltd., Heavy Duty Spring/Long Arm, 2 pages.
 Humanscale, M2 Articulating Monitor Arm, 1 page.
 Humanscale, M4 Articulating Monitor Arm, 1 page.
 Humanscale, M7 Articulating Monitor Arm, 1 page.
 Innovative Office Products, 7Flex® LCD Arm (24"), 1 page.
 Innovative Office Products, EVO® LCD Arm 5545, 1 page.

* cited by examiner

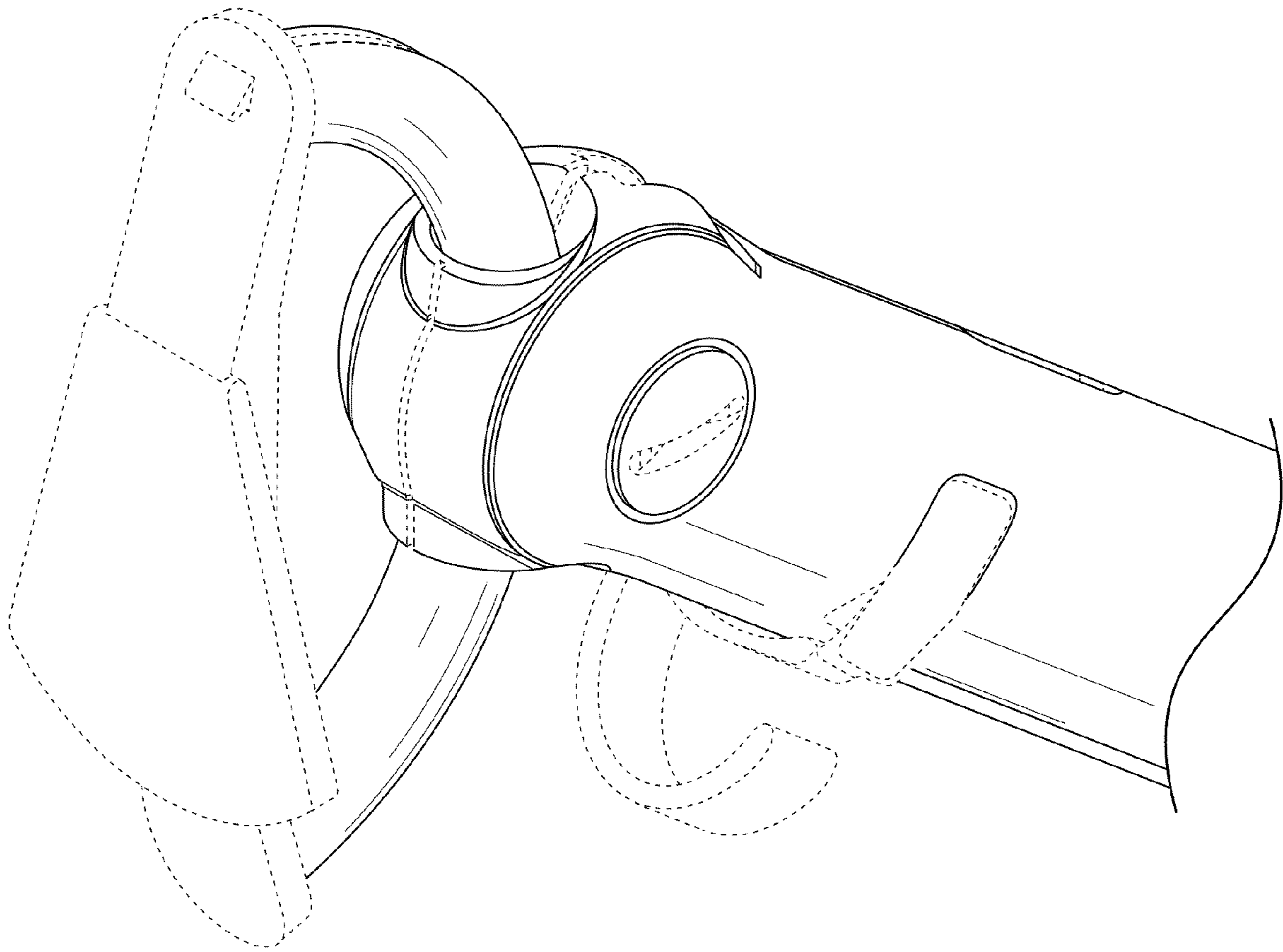


Fig. 1

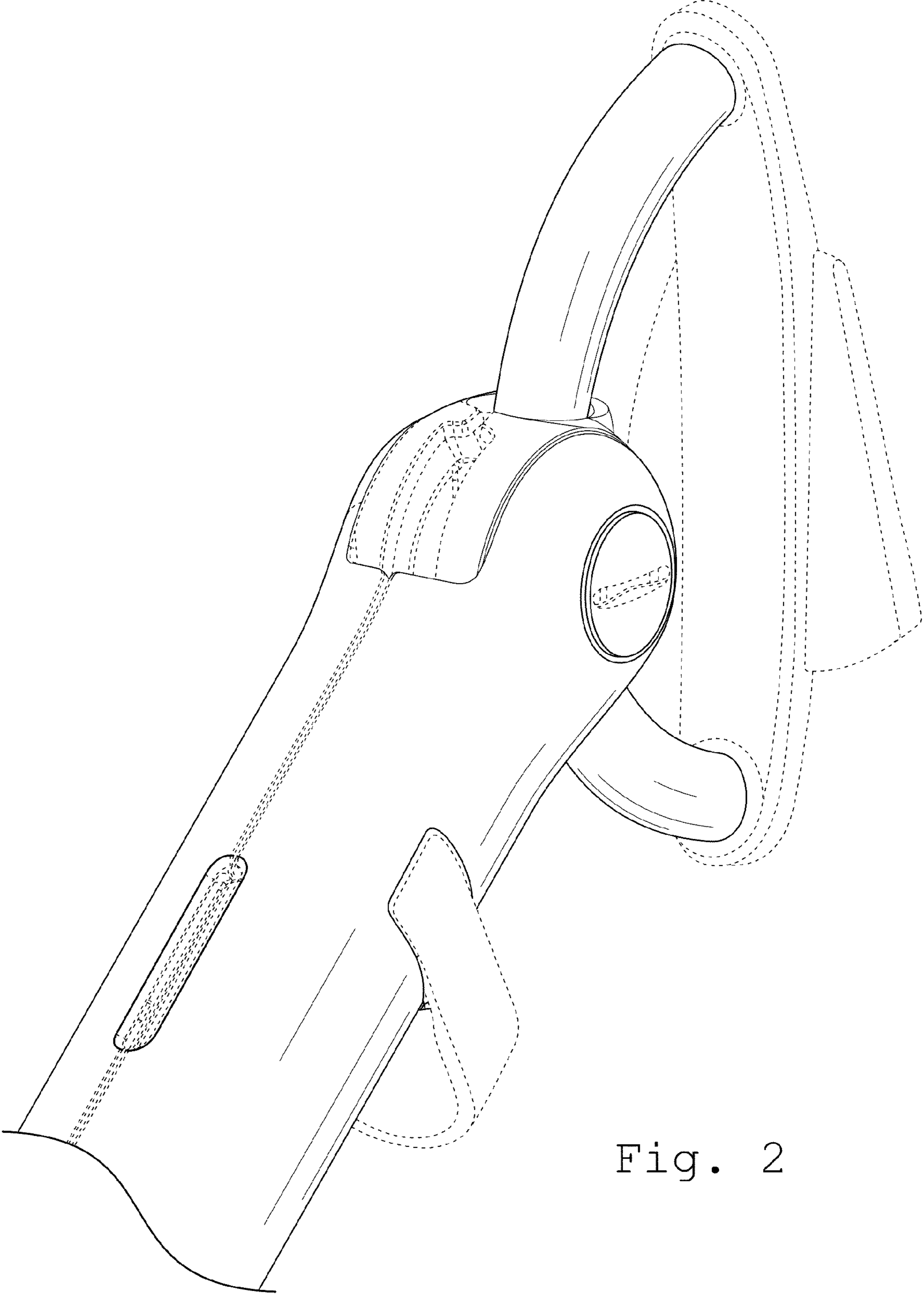


Fig. 2

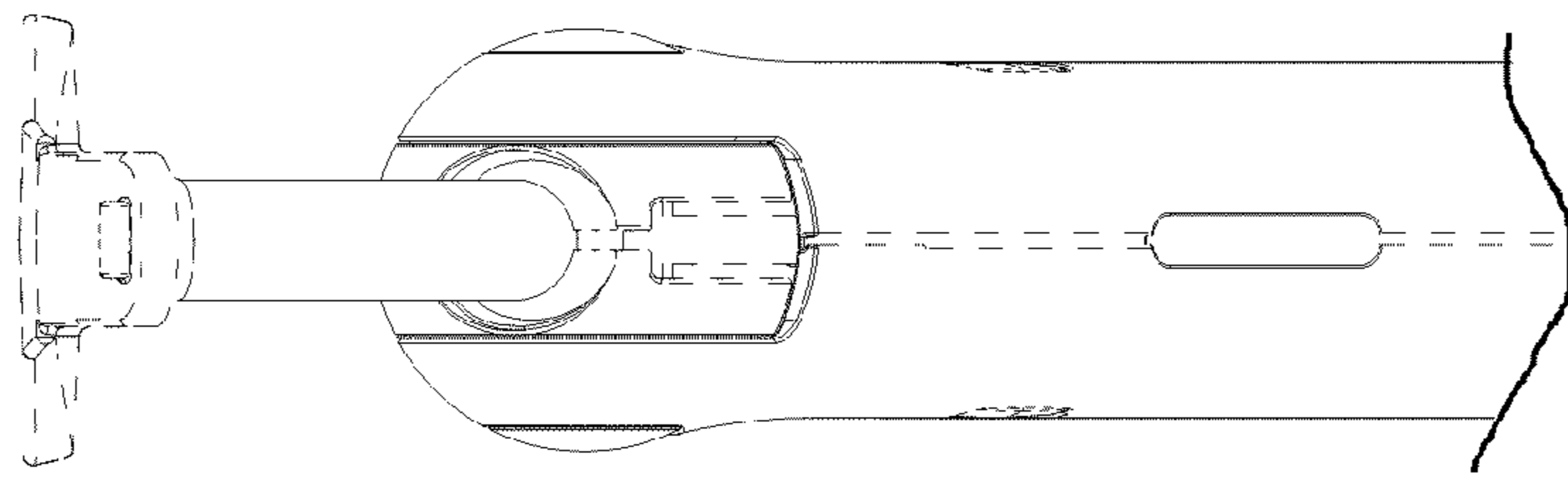


Fig. 3

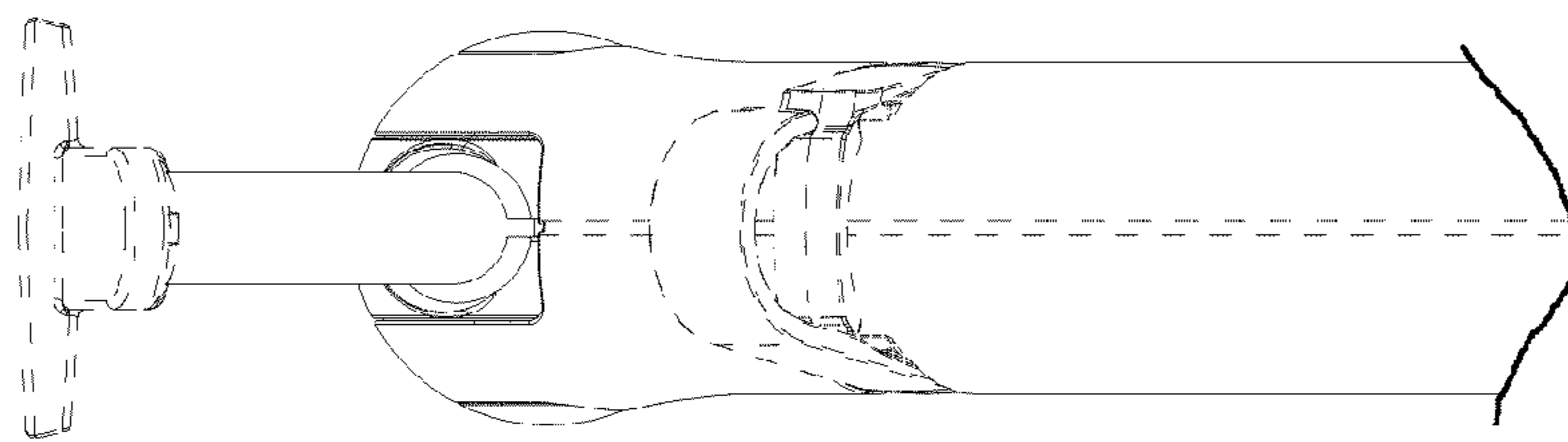


Fig. 4

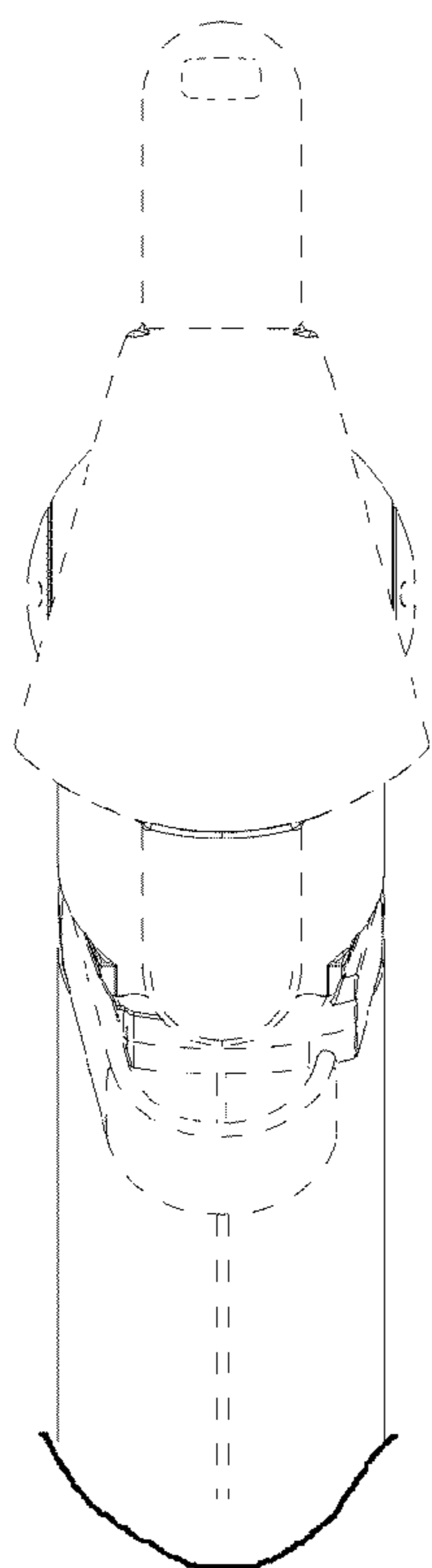


Fig. 5

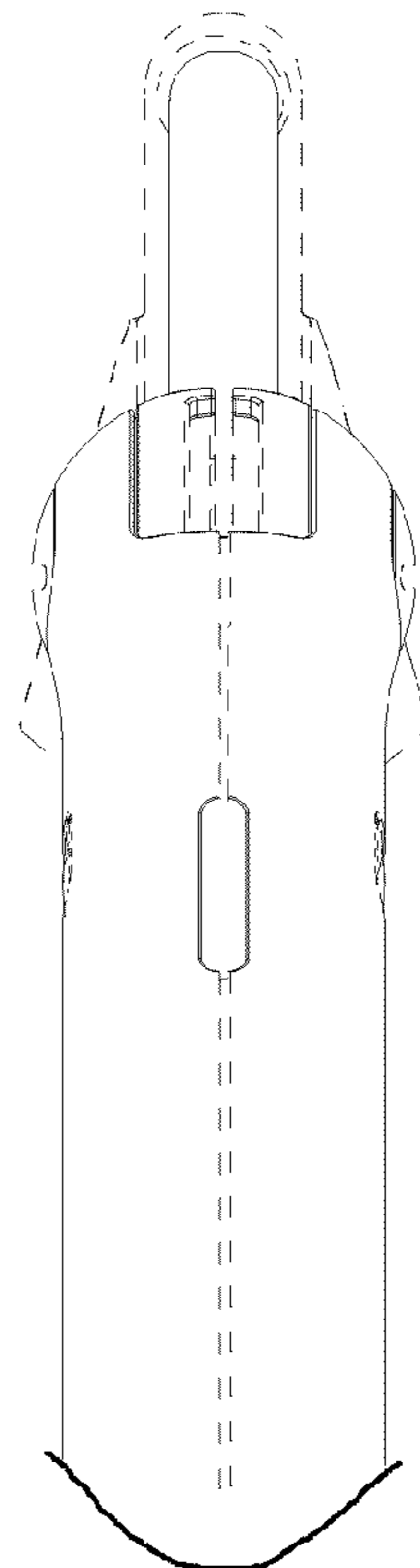


Fig. 6

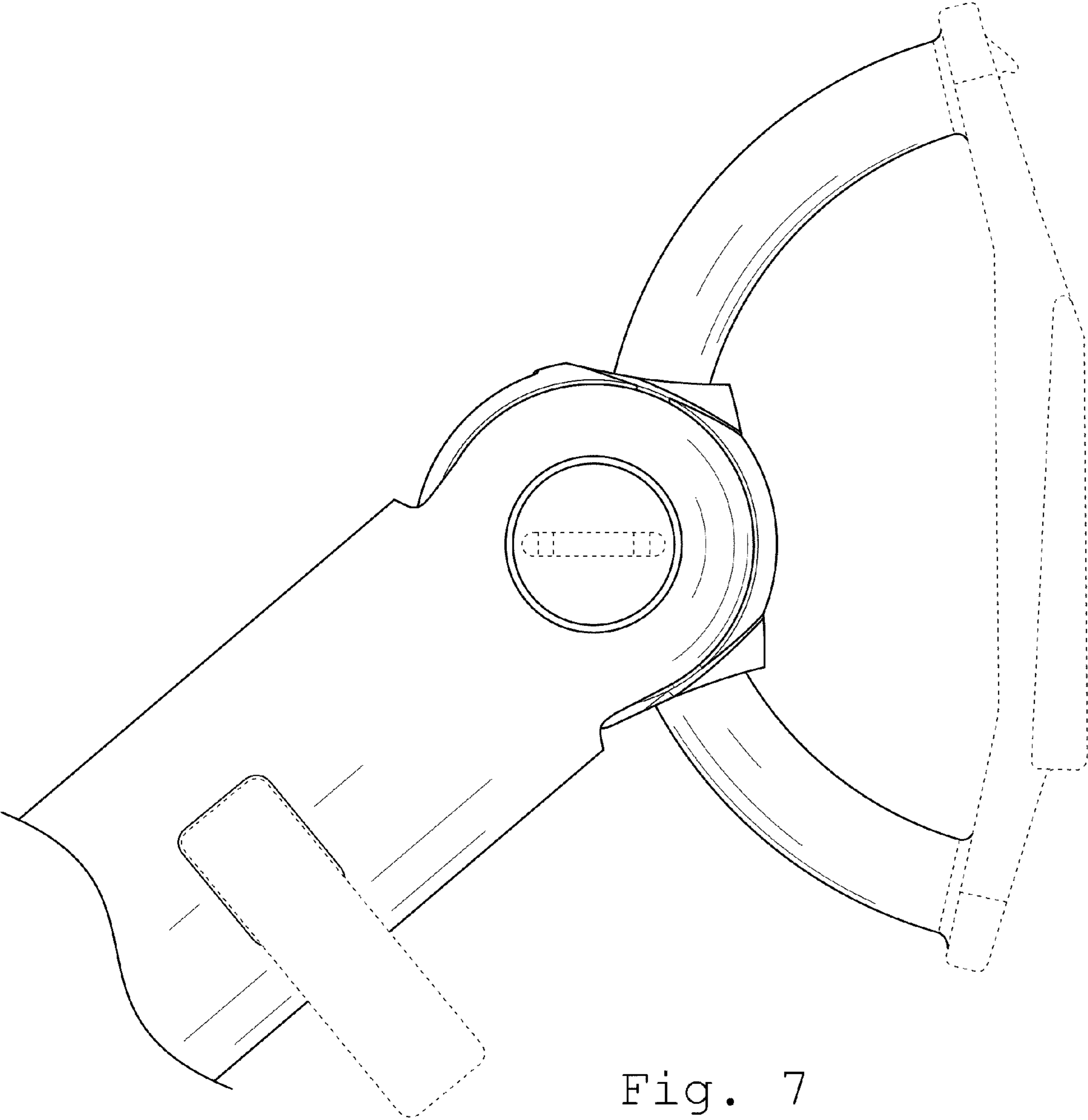


Fig. 7

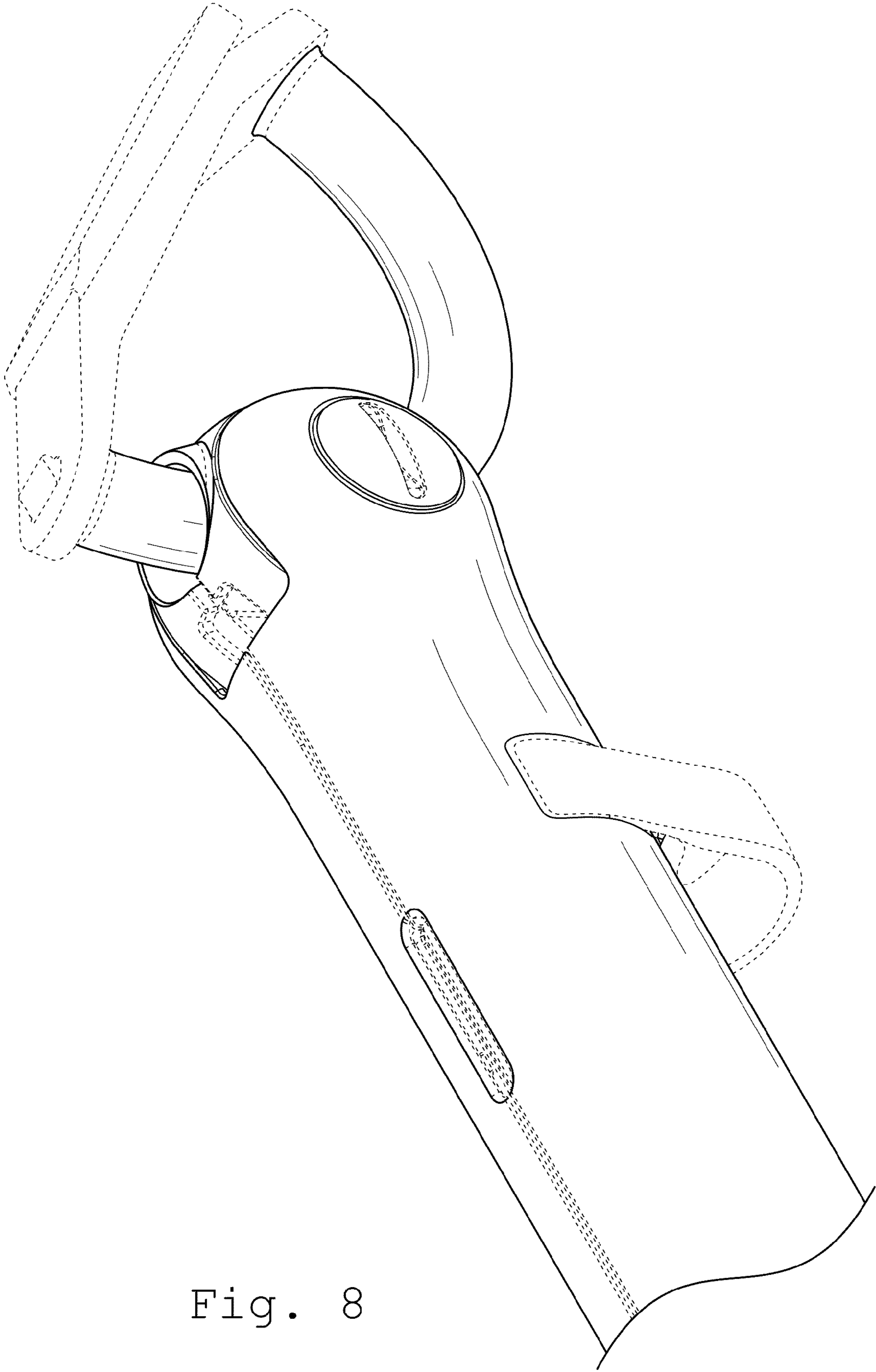


Fig. 8

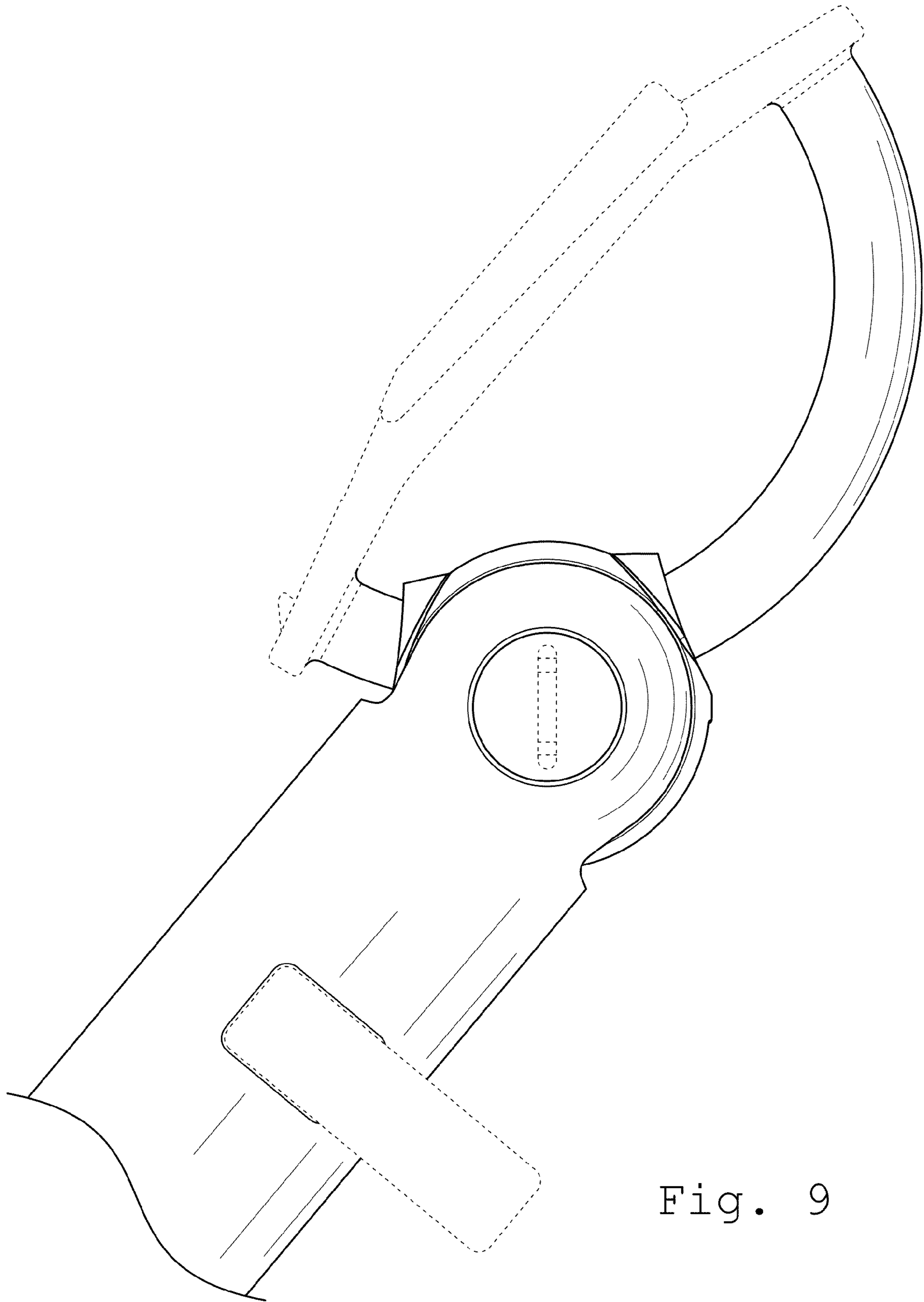


Fig. 9