

US00D645866S

(12) **United States Design Patent**
Schindler

(10) **Patent No.:** **US D645,866 S**

(45) **Date of Patent:** **** Sep. 27, 2011**

(54) **SMART-KEY**

(75) Inventor: **Dominic Schindler**, Lauterach (AT)

(73) Assignee: **Deckel Maho Pfronten GmbH**,
Pfronten (DE)

(**) Term: **14 Years**

(21) Appl. No.: **29/309,959**

(22) Filed: **Nov. 19, 2008**

(30) **Foreign Application Priority Data**

May 19, 2008 (DE) 40 2008 002 443

(51) **LOC (9) Cl.** **14-02**

(52) **U.S. Cl.** **D14/435**

(58) **Field of Classification Search** D14/435,
D14/356, 242, 436, 433, 474, 240, 496, 385,
D14/358; 360/97.01, 685, 686, 752, 737,
360/732, 784, 803; 439/135, 144, 139-141,
439/147, 136, 638, 518, 131; 365/51, 63,
365/131; 710/52, 300, 313; 711/115, 103,
711/154, 161-162; 70/58; 323/210; 713/186,
713/1; 382/124; 235/492; D13/147
See application file for complete search history.

(56) **References Cited**

U.S. PATENT DOCUMENTS

D358,128 S * 5/1995 Berry et al. D13/103
D380,728 S * 7/1997 Richards et al. D13/103
6,676,419 B1 * 1/2004 Lin et al. 439/76.1
D504,442 S * 4/2005 Kim D14/203.7
D514,590 S * 2/2006 Naruki D14/203.3
7,066,742 B2 * 6/2006 Liang et al. 439/76.1
D526,321 S * 8/2006 Hayes et al. D14/435
D541,272 S * 4/2007 Wang D14/356
D544,480 S * 6/2007 Murakami D14/480.5
D546,328 S * 7/2007 Kobayakawa D14/480.4
7,301,596 B1 * 11/2007 Morganstern et al. 349/131
D556,752 S * 12/2007 Otsuka D14/480.5
D556,762 S * 12/2007 Hsiau D14/480.5

7,303,411 B1 * 12/2007 Morganstern et al. 439/131
D558,763 S * 1/2008 Morganstern et al. D14/480.7
D558,787 S * 1/2008 Yu et al. D14/496
D567,379 S * 4/2008 Svensson D24/174
D573,594 S * 7/2008 Hsu D14/480.5
7,462,044 B1 * 12/2008 Regen et al. 439/131
D591,751 S * 5/2009 Ku D14/435
D601,152 S * 9/2009 Moshes et al. D14/480.7
D611,944 S * 3/2010 Kujawski et al. D14/435.1
D620,017 S * 7/2010 Lo D14/480.7
7,782,602 B2 * 8/2010 Zhu 361/679.31
D625,730 S * 10/2010 Cacioppo et al. D14/435.1
D629,408 S * 12/2010 Otsuka D14/480.5
D630,629 S * 1/2011 Seifert et al. D14/341
D635,536 S * 4/2011 Xiao D14/138 AA
D636,383 S * 4/2011 Hao D14/242
D638,002 S * 5/2011 Chen D14/242
2002/0036149 A1 * 3/2002 Kwong 206/308.3
2002/0177362 A1 * 11/2002 Chang 439/638
2003/0167376 A1 * 9/2003 Koh 711/115
2004/0063346 A1 * 4/2004 Lin et al. 439/131
2007/0049217 A1 * 3/2007 Suzuki et al. 455/90.3
2007/0105418 A1 * 5/2007 Fu et al. 439/136
2009/0033621 A1 * 2/2009 Quinn et al. 345/158

* cited by examiner

Primary Examiner — Susan Moon Lee

(74) *Attorney, Agent, or Firm* — Oliff & Berridge, PLC

(57) **CLAIM**

The ornamental design for a smart-key, as shown and described.

DESCRIPTION

FIG. 1 is a front and top perspective view of a smart-key with a connection component;
FIG. 2 is a top view thereof;
FIG. 3 is a bottom view thereof;
FIG. 4 is a front view thereof;
FIG. 5 is a rear view thereof; and,
FIG. 6 is another front and top perspective view thereof.
The broken lines depict environmental subject matter only and form no part of the claimed design.

1 Claim, 6 Drawing Sheets

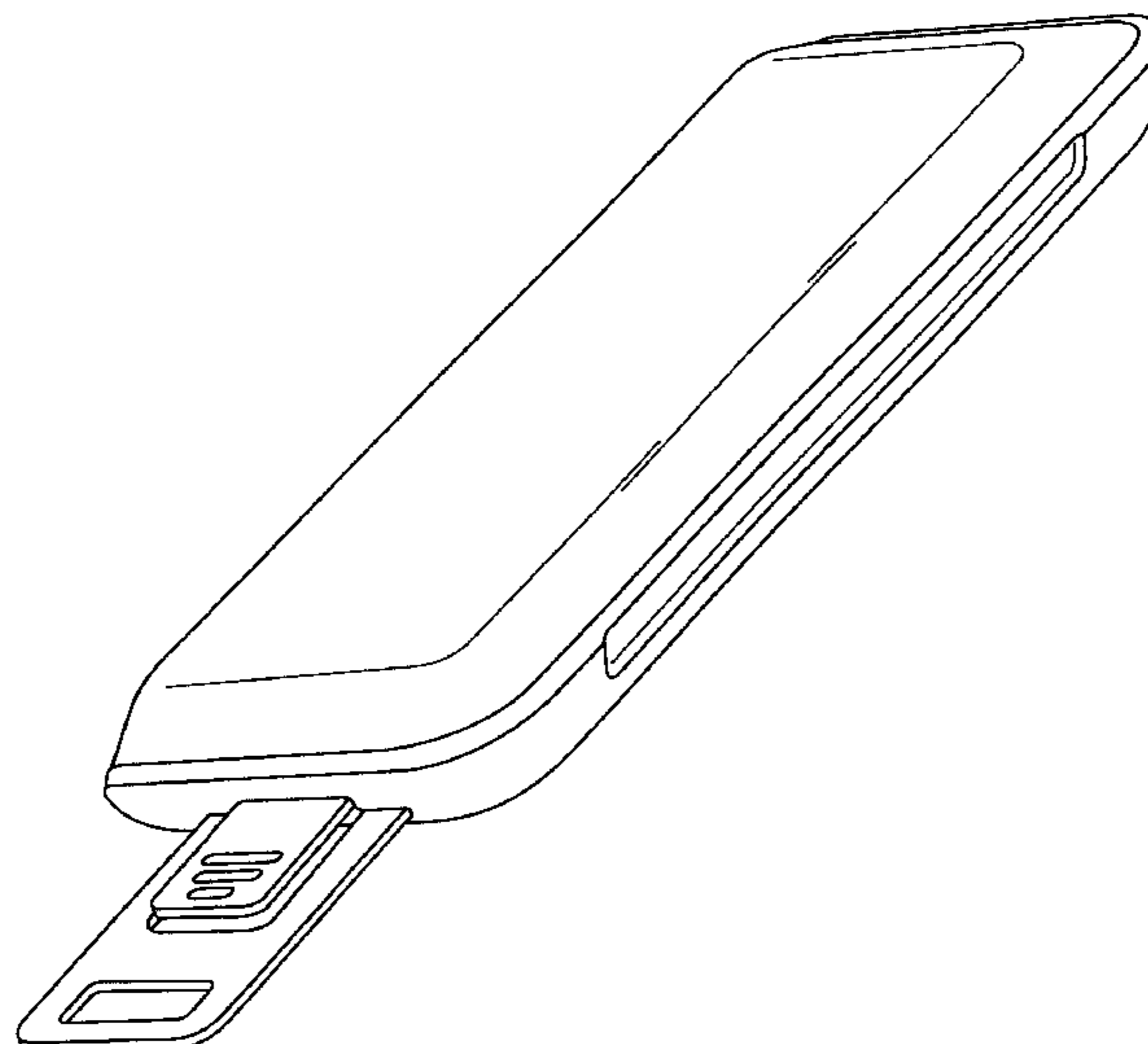


FIG. 1

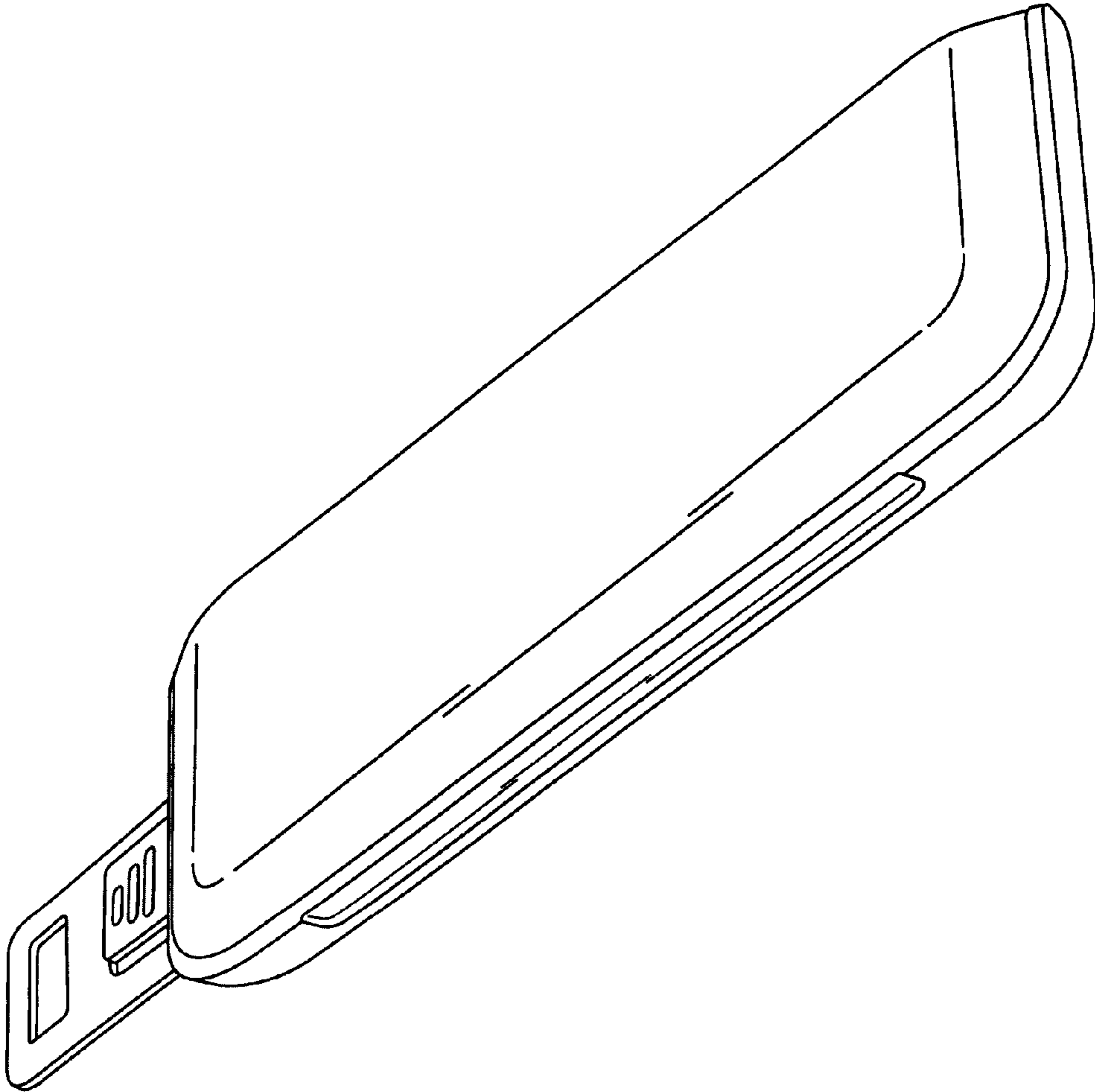


FIG. 2

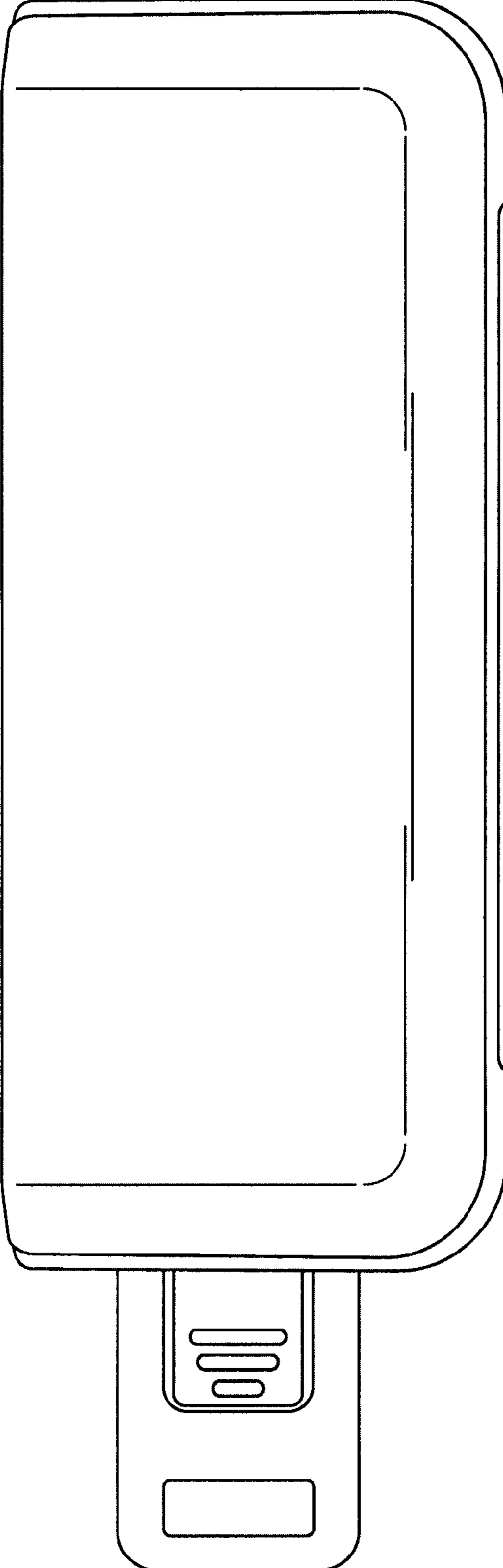


FIG. 3

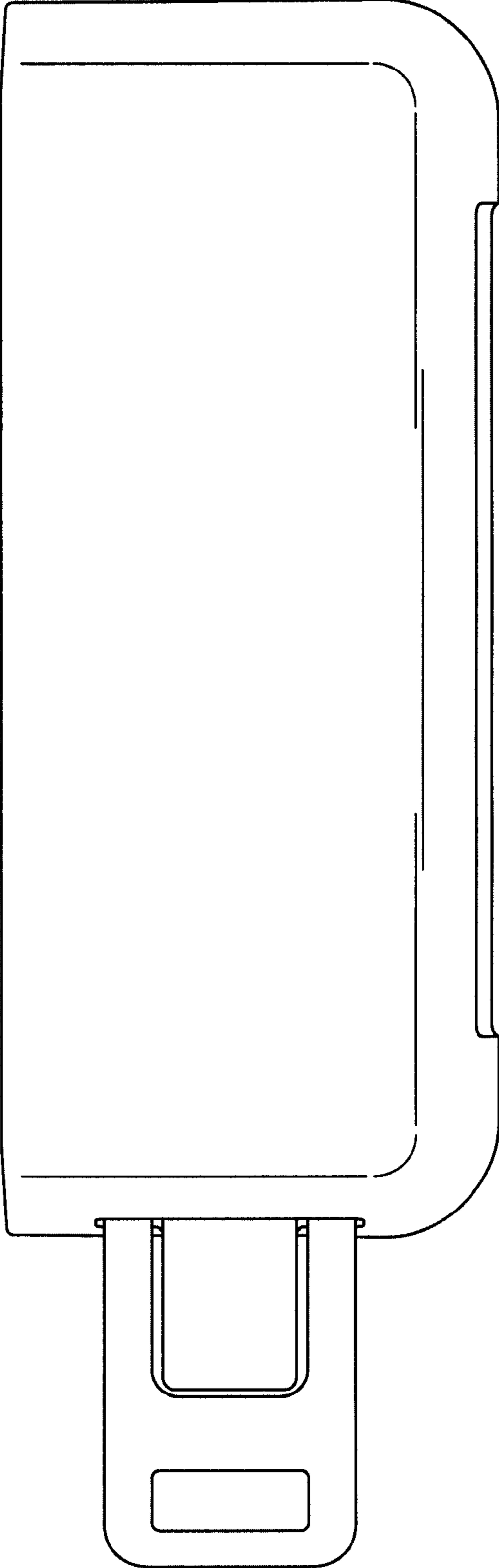


FIG. 4

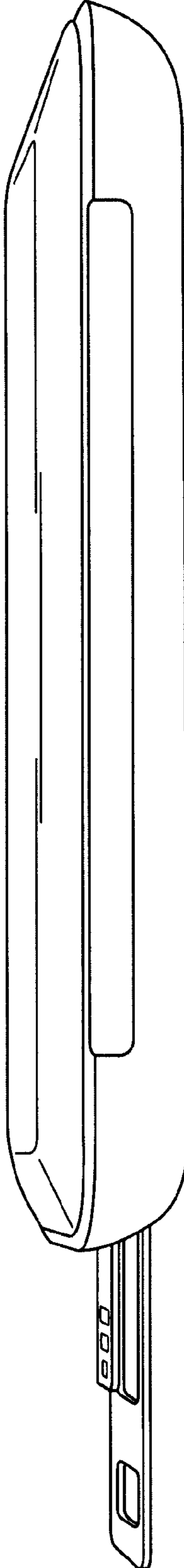


FIG. 5

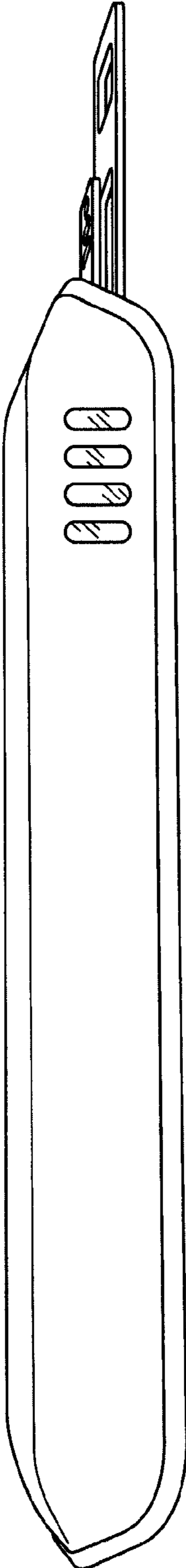


FIG. 6

