



US00D645865S

(12) **United States Design Patent**
Diehl

(10) **Patent No.:** **US D645,865 S**

(45) **Date of Patent:** **** Sep. 27, 2011**

(54) **CLIP FOR ELECTRONIC BOOK READER AND COVER**

(75) Inventor: **Mark E. Diehl**, Charlotte, NC (US)

(73) Assignee: **Smak-Dab, LLC**, Charlotte, NC (US)

(**) Term: **14 Years**

(21) Appl. No.: **29/362,568**

(22) Filed: **May 27, 2010**

(51) **LOC (9) Cl.** **14-02**

(52) **U.S. Cl.** **D14/432**; D14/299; D8/394

(58) **Field of Classification Search** D14/356–358, D14/383–385, 420, 426, 427, 432–439, 447, D14/453, 454, 217, 253, 299; D13/107, D13/108, 133, 146, 147, 152, 154, 156, 158, D13/162, 162.1, 168, 173, 177; D8/382, D8/394, 349; D19/86, 99; D3/318, 328; 248/229.26, 231.81; 24/3.6, 3.11, 3.12, 339; D6/329, 340, 349, 355, 406.1, 406.3, 449, D6/477, 483, 485, 486

See application file for complete search history.

(56) **References Cited**

U.S. PATENT DOCUMENTS

D116,438 S *	8/1939	Wright	D8/395
D178,297 S *	7/1956	Little	D6/485
D226,647 S *	4/1973	Longato	D6/475
D255,983 S *	7/1980	Armstrong et al.	D8/382
D257,325 S *	10/1980	Jones	D8/400
D260,481 S *	9/1981	Norcross et al.	D8/394
D276,272 S *	11/1984	Weissenburger	D24/176
D277,546 S *	2/1985	Trotta	D8/349
D284,920 S *	8/1986	Van Horn	D6/491
D296,284 S *	6/1988	Colby	D6/487
D306,243 S *	2/1990	Livi	D6/485
D318,608 S *	7/1991	Schenker	D8/382
D333,255 S *	2/1993	Newcomer et al.	D8/356
5,489,078 A *	2/1996	Risley	248/231.81
D376,749 S *	12/1996	Hertzog	D8/349

D379,299 S *	5/1997	Fitzgibbons	D8/402
D381,338 S *	7/1997	Johansson	D14/253
D384,574 S *	10/1997	Cox	D8/349
D421,272 S *	2/2000	Patel	D19/90
D427,602 S *	7/2000	Yerazunis et al.	D14/433
D427,814 S *	7/2000	Black	D6/484
D438,402 S *	3/2001	Walsh	D6/449
D448,987 S *	10/2001	Davis	D8/394
D462,204 S *	9/2002	Ross	D6/485
6,484,365 B1 *	11/2002	Thompson	24/3.12
D474,958 S *	5/2003	Perdue	D8/349
D485,093 S *	1/2004	de Blois	D6/485
D492,351 S *	6/2004	Sato et al.	D19/65
D505,282 S *	5/2005	Miyakawa	D6/484

(Continued)

Primary Examiner — Cathron C Brooks

Assistant Examiner — Deanna Fluegeman

(74) *Attorney, Agent, or Firm* — Pedigo Law Firm, PLLC

(57) **CLAIM**

The ornamental design for a clip for an electronic book reader and cover, as shown and described.

DESCRIPTION

FIG. 1 is a perspective view of a clip for an electronic book reader and cover depicting the new design;

FIG. 2 is a top plan view and bottom plan view of the clip for an electronic book reader and cover;

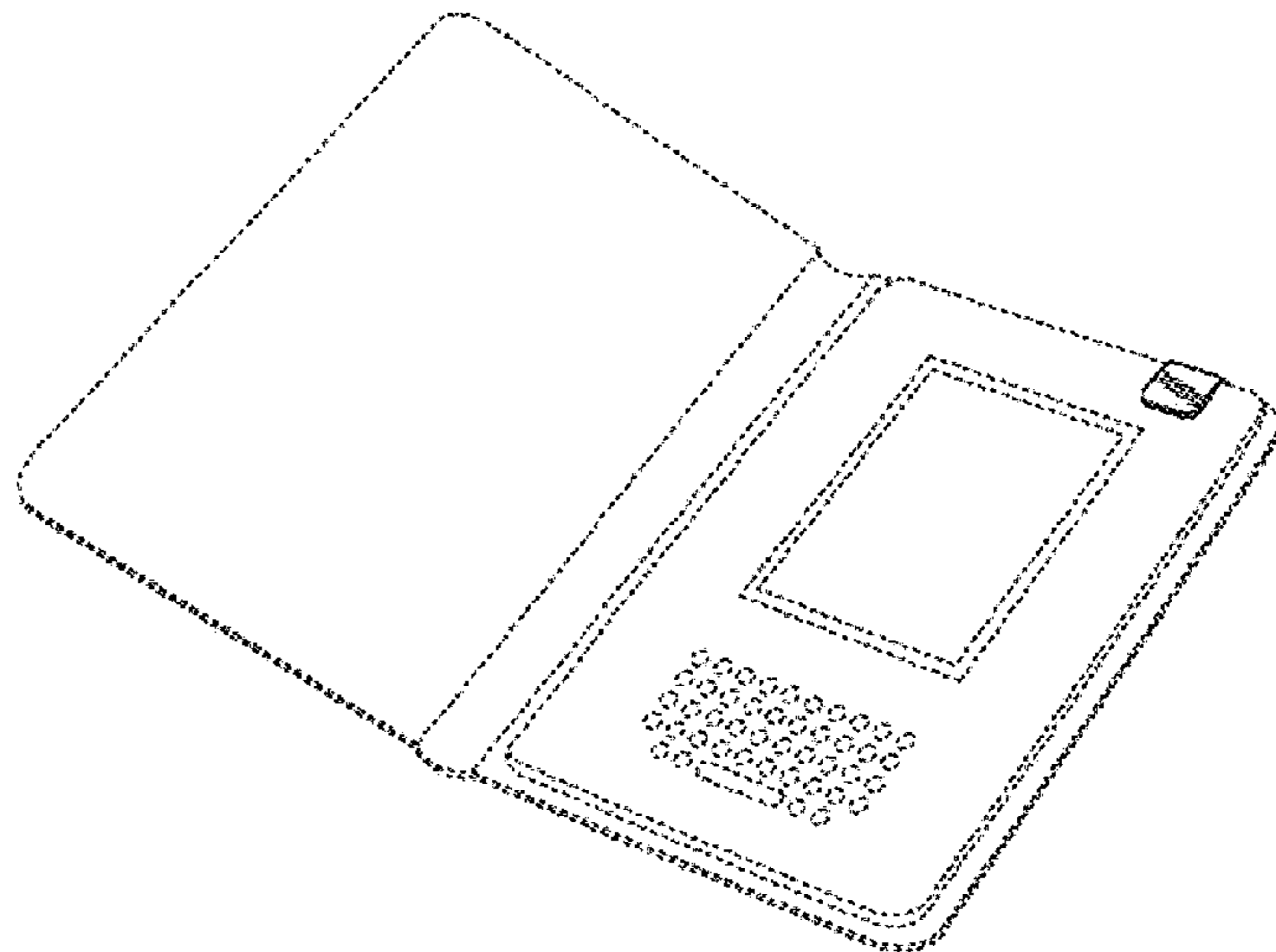
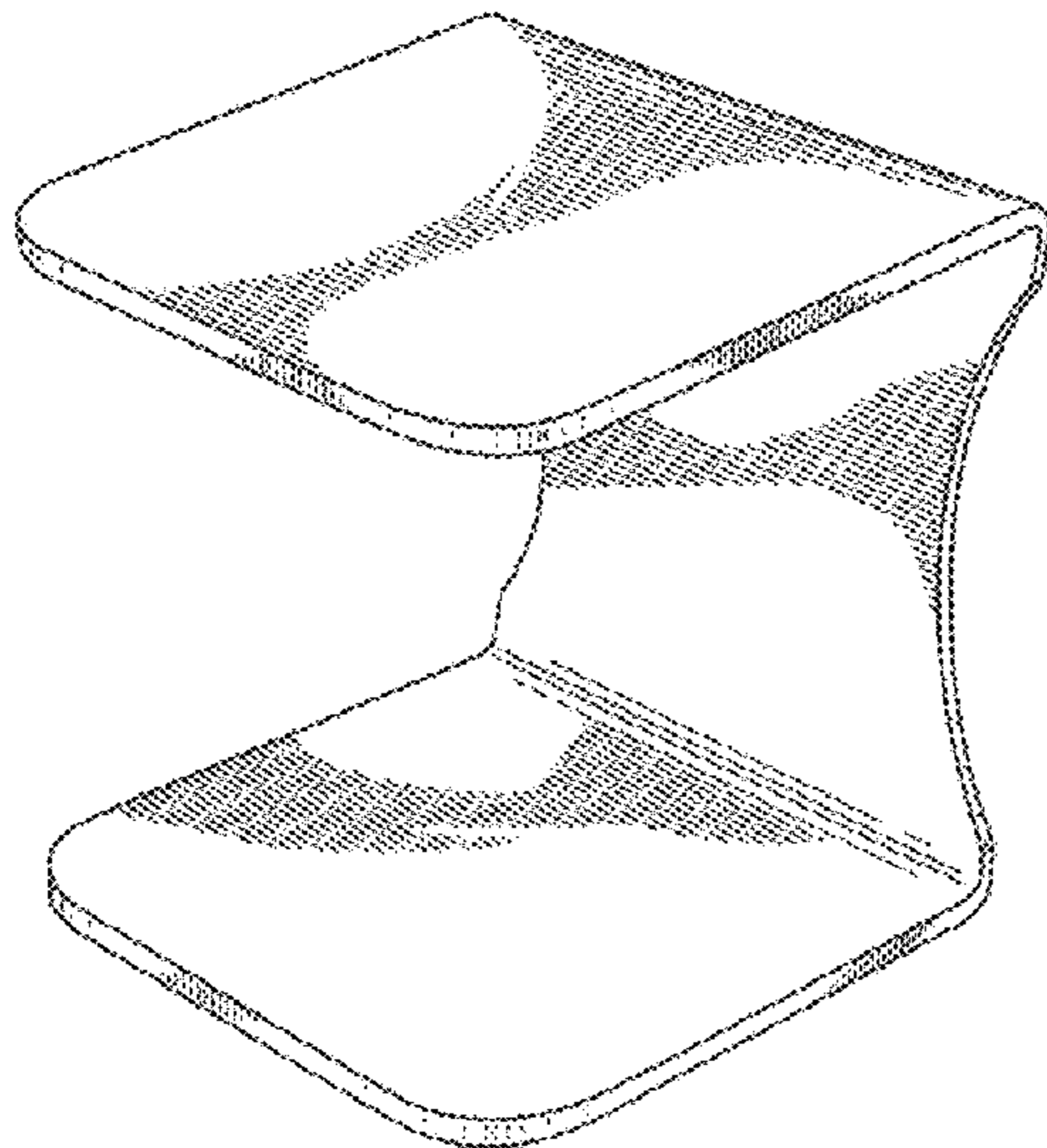
FIG. 3 is a side elevation view of the clip for an electronic book reader and cover;

FIG. 4 is a rear elevation view of the clip for an electronic book reader and cover;

FIG. 5 is a front elevation view of the clip for an electronic book reader and cover; and,

FIG. 6 is a perspective view of the clip for an electronic book reader and cover in the context of its use, wherein the broken line showing of the electronic book reader and cover is included for the purpose of illustrating the unclaimed environment of the clip and forms no part of the claimed design.

1 Claim, 4 Drawing Sheets



US D645,865 S

Page 2

U.S. PATENT DOCUMENTS

D513,171 S *	12/2005	Richardson	D8/394	D582,918 S *	12/2008	Scott	D14/432
D527,552 S *	9/2006	Searl	D6/485	D589,337 S *	3/2009	Karlsson	D8/394
D545,183 S *	6/2007	French et al.	D8/394	D598,919 S *	8/2009	Takemasa et al.	D14/432
D557,652 S *	12/2007	Gassew	D12/317	D618,244 S *	6/2010	Sweet et al.	D14/432
D559,850 S *	1/2008	Lye	D14/447	D619,451 S *	7/2010	Carlesso	D8/395
D561,574 S *	2/2008	Lown et al.	D8/395	D628,055 S *	11/2010	Mills	D8/382
D575,143 S *	8/2008	Kuo et al.	D8/394	2009/0144943 A1 *	6/2009	Arranz Del Rosal et al. .	24/3.11

* cited by examiner

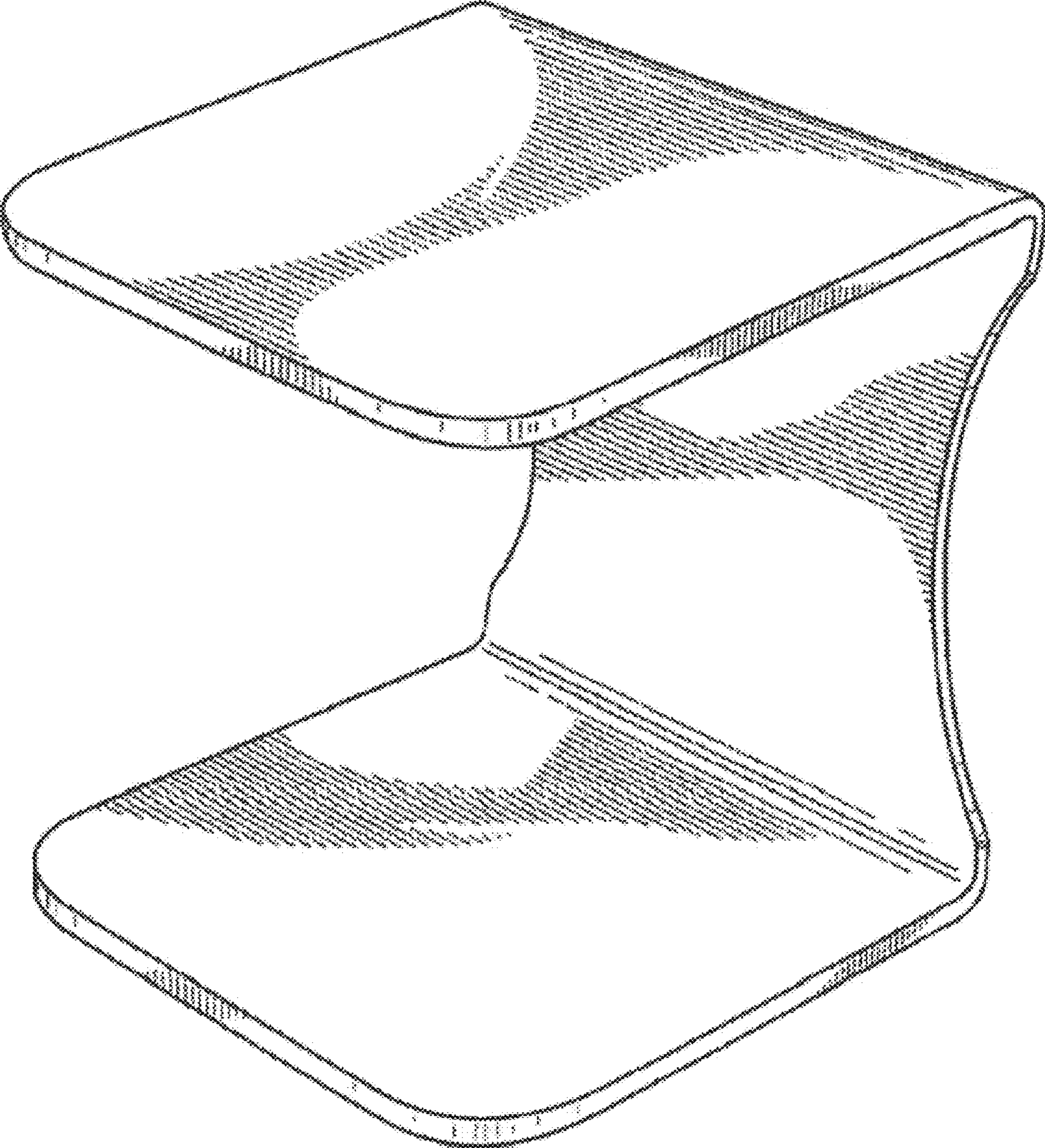


FIG. 1

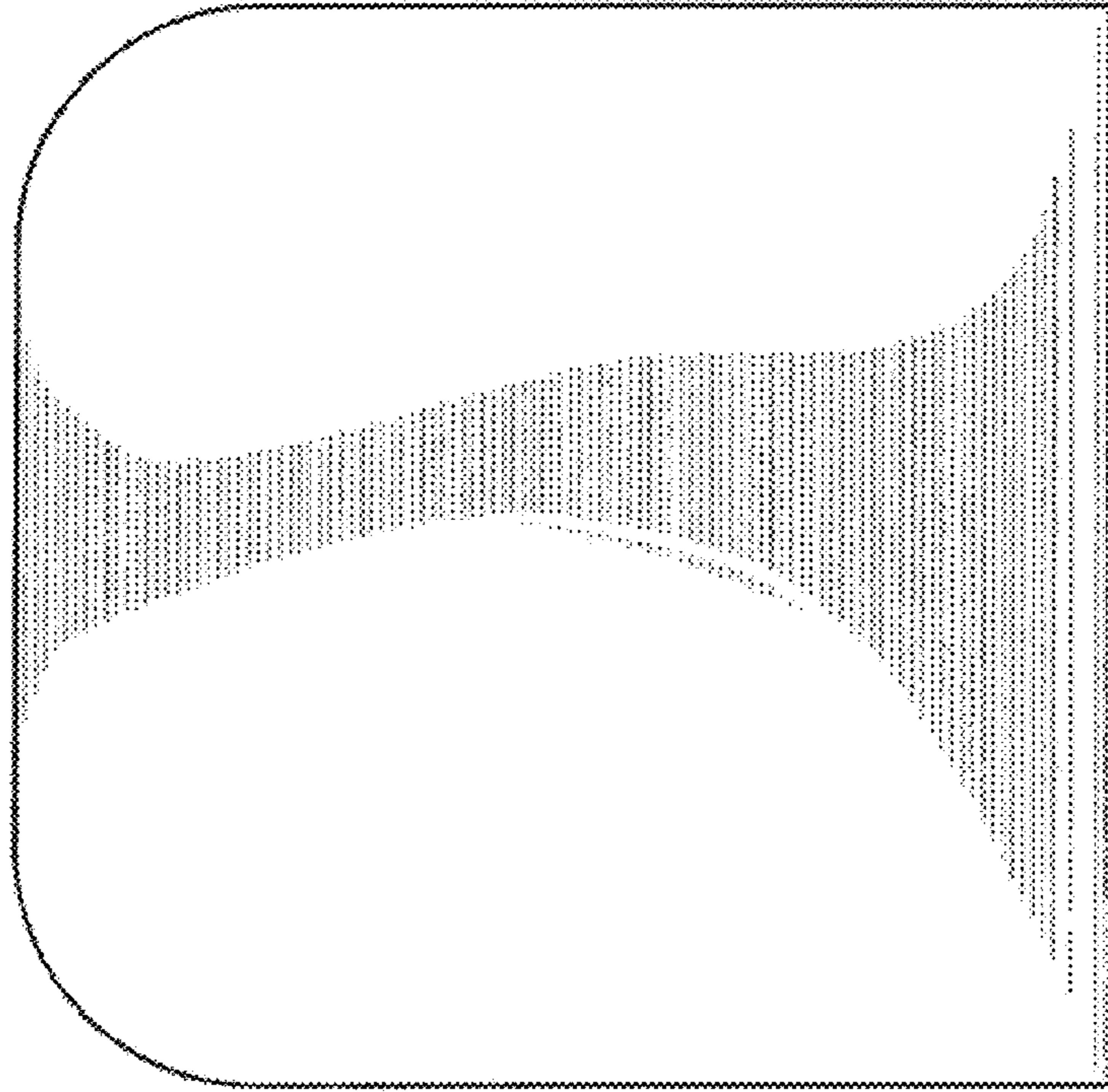


FIG. 2

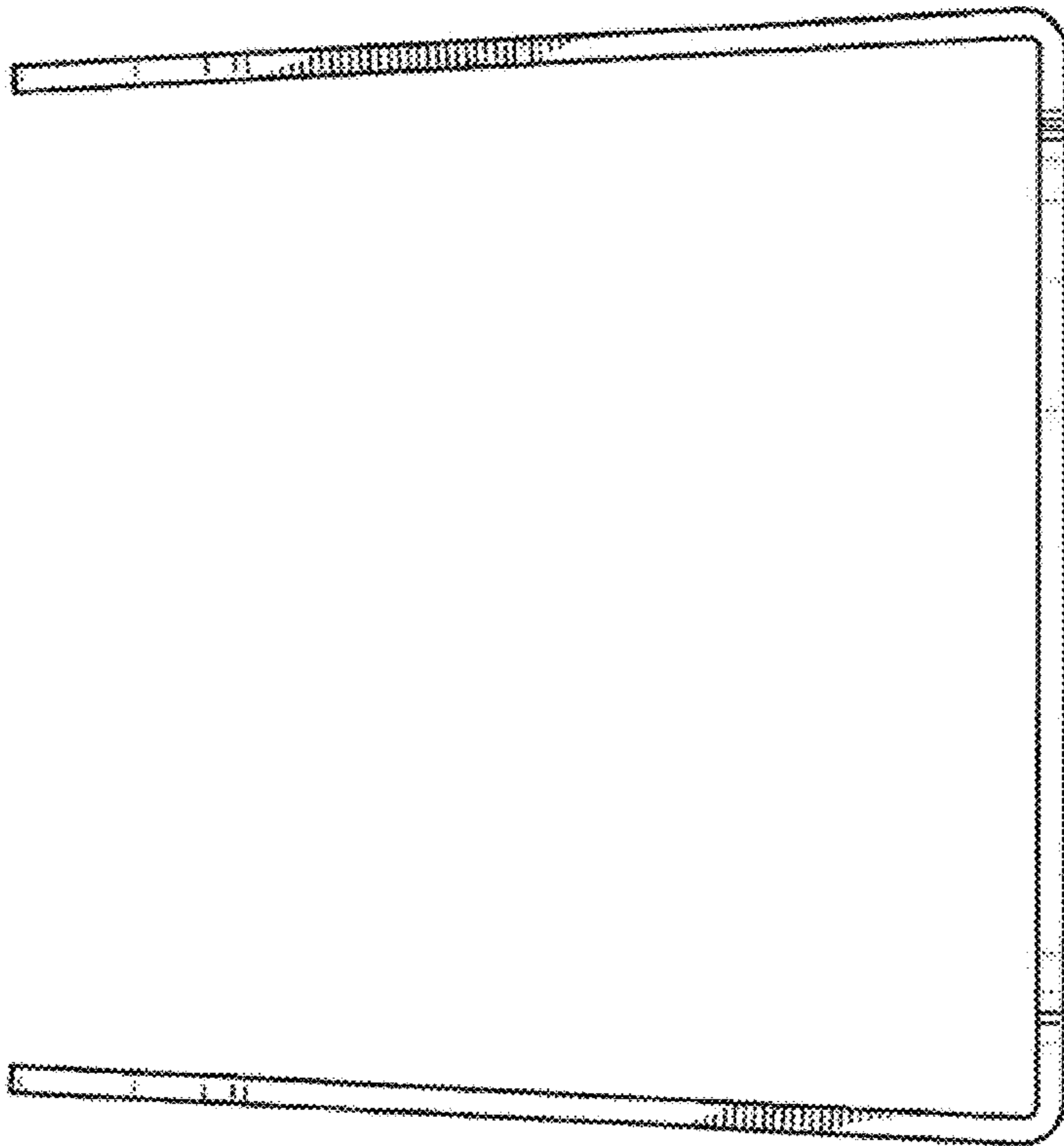


FIG. 3

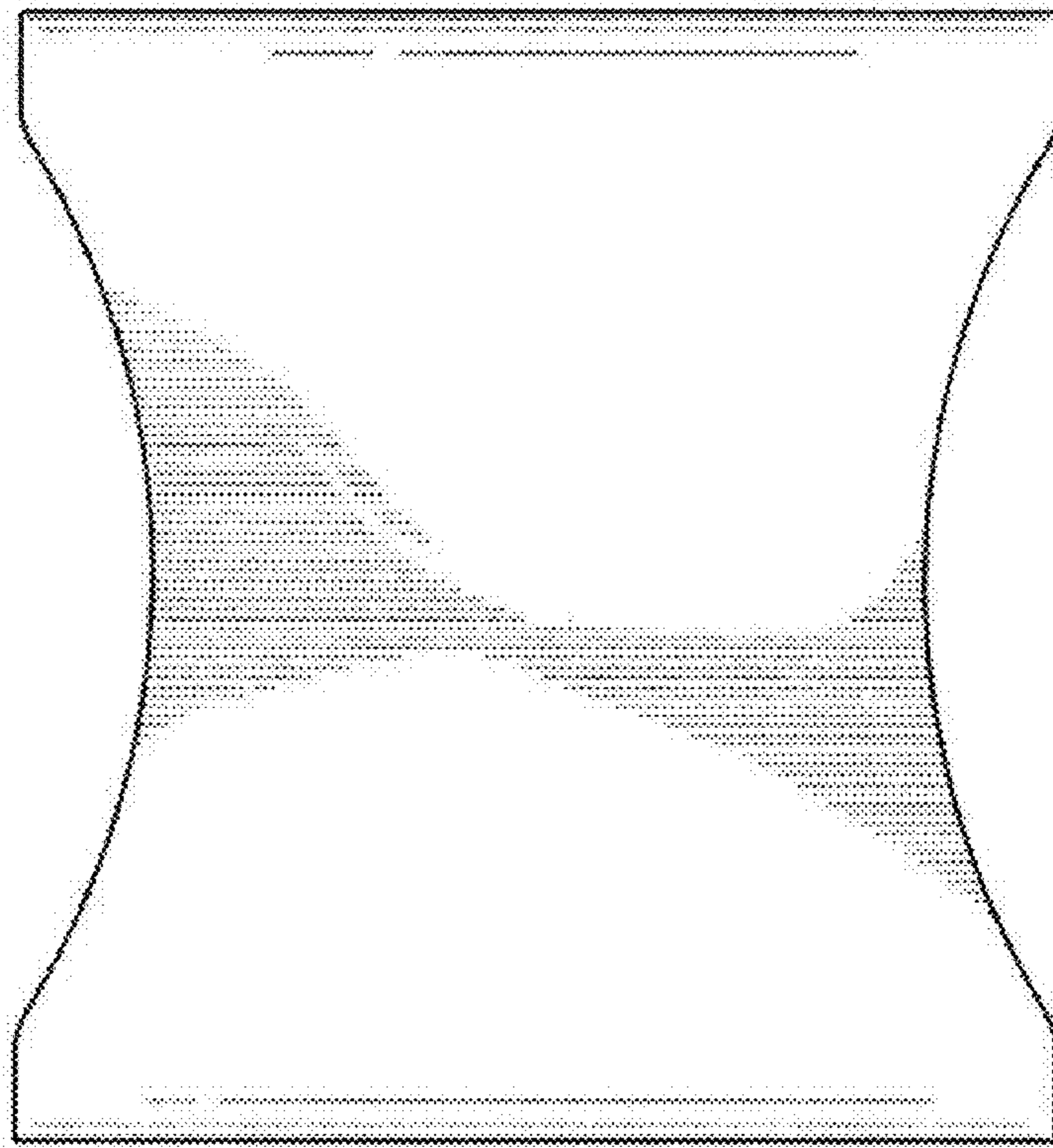


FIG. 4

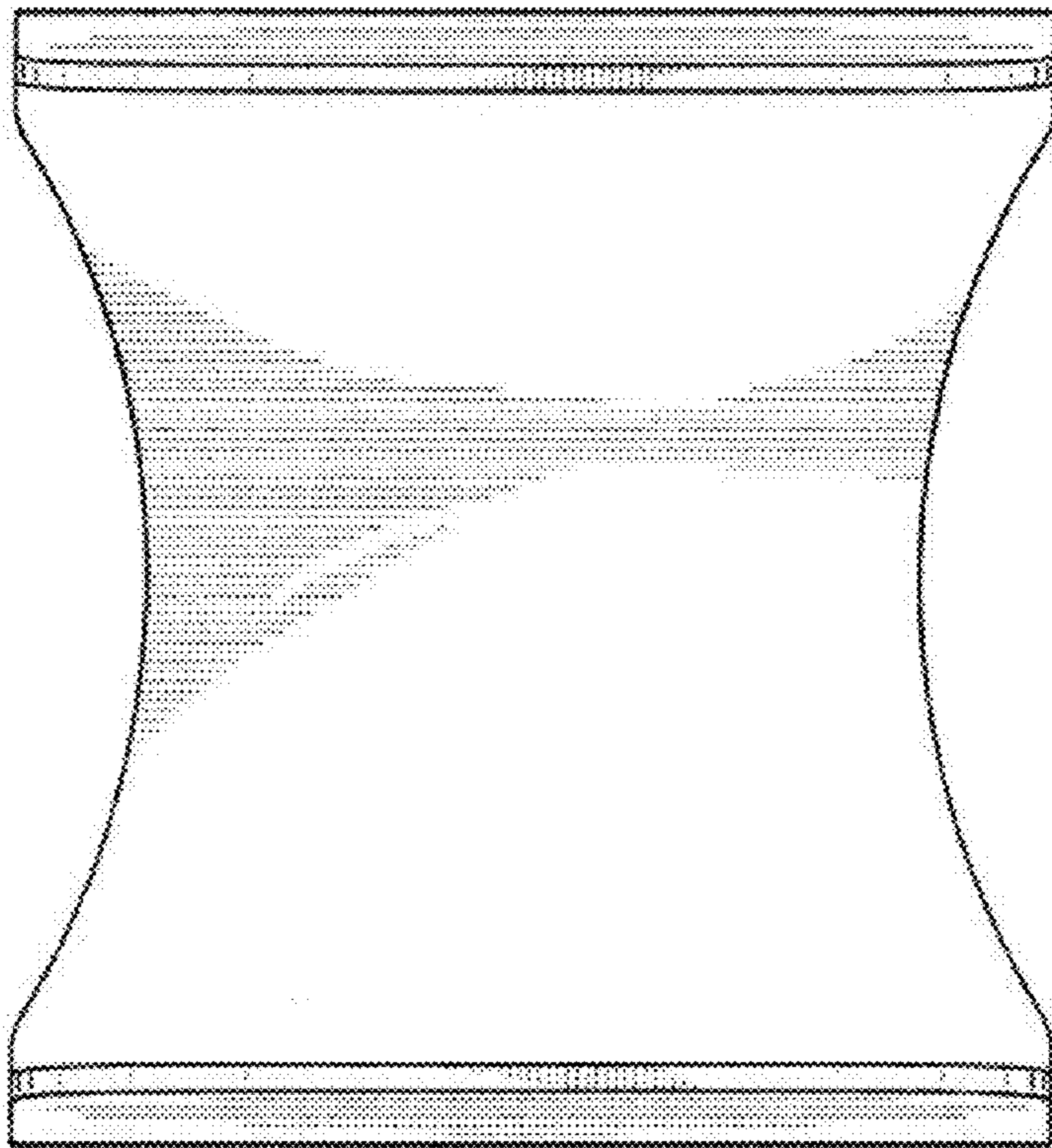


FIG. 5

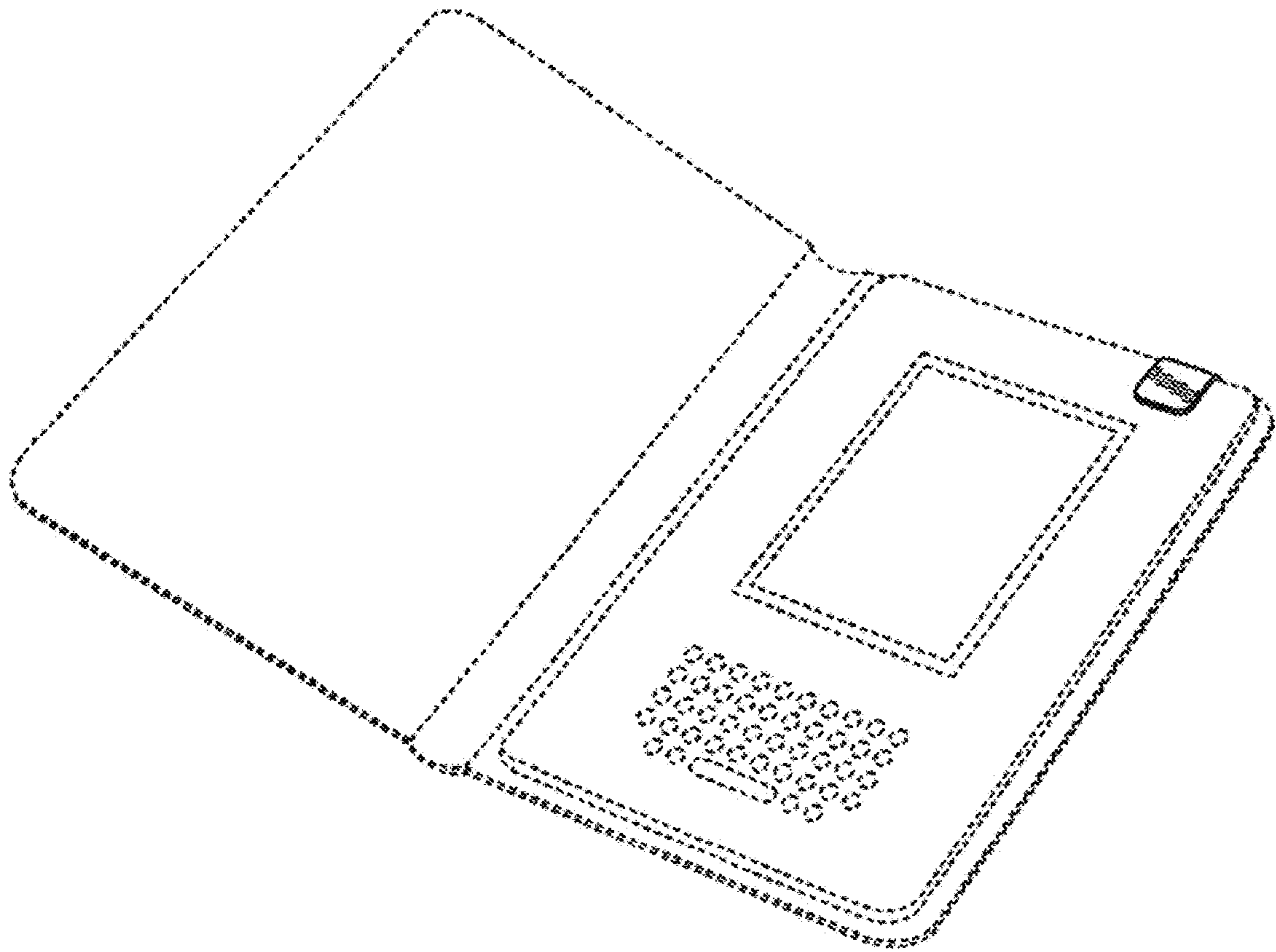


FIG. 6