



US00D645861S

(12) **United States Design Patent**
Chen

(10) **Patent No.:** **US D645,861 S**

(45) **Date of Patent:** **** Sep. 27, 2011**

(54) **ALL IN ONE PERSONAL COMPUTER**

(75) Inventor: **Chih-Chung Chen**, Tu-Cheng (TW)

(73) Assignee: **Cheng Uei Precision Industry Co., Ltd.**, Tu-Cheng, Taipei Hsien (TW)

(**) Term: **14 Years**

(21) Appl. No.: **29/376,497**

(22) Filed: **Oct. 7, 2010**

(51) **LOC (9) Cl.** **14-02**

(52) **U.S. Cl.** **D14/337**

(58) **Field of Classification Search** D14/371-376,
D14/125-129, 336, 337, 341; D6/308, 311;
341/12; 345/104, 156, 173, 174, 901-905;
348/180, 184, 325, 739; 361/679.08, 679.23;
349/1, 2, 11, 58; 248/917-924, 371; D19/59,
D19/60

See application file for complete search history.

(56) **References Cited**

U.S. PATENT DOCUMENTS

D432,124 S *	10/2000	Pardikes et al.	D14/336
D474,163 S *	5/2003	Araki	D14/126
D496,034 S *	9/2004	Guerrera et al.	D14/336
D538,800 S *	3/2007	Zhang et al.	D14/331
D579,930 S *	11/2008	Maskatia	D14/341
D580,431 S *	11/2008	Morita	D14/341

D588,124 S *	3/2009	Shimizu	D14/337
D605,647 S *	12/2009	Chern et al.	D14/336
D608,778 S *	1/2010	Lee et al.	D14/336
D624,070 S *	9/2010	Lee et al.	D14/336
2006/0038795 A1 *	2/2006	Lee	345/173

* cited by examiner

Primary Examiner — Freda Nunn

(74) *Attorney, Agent, or Firm* — Cheng-Ju Chiang

(57) **CLAIM**

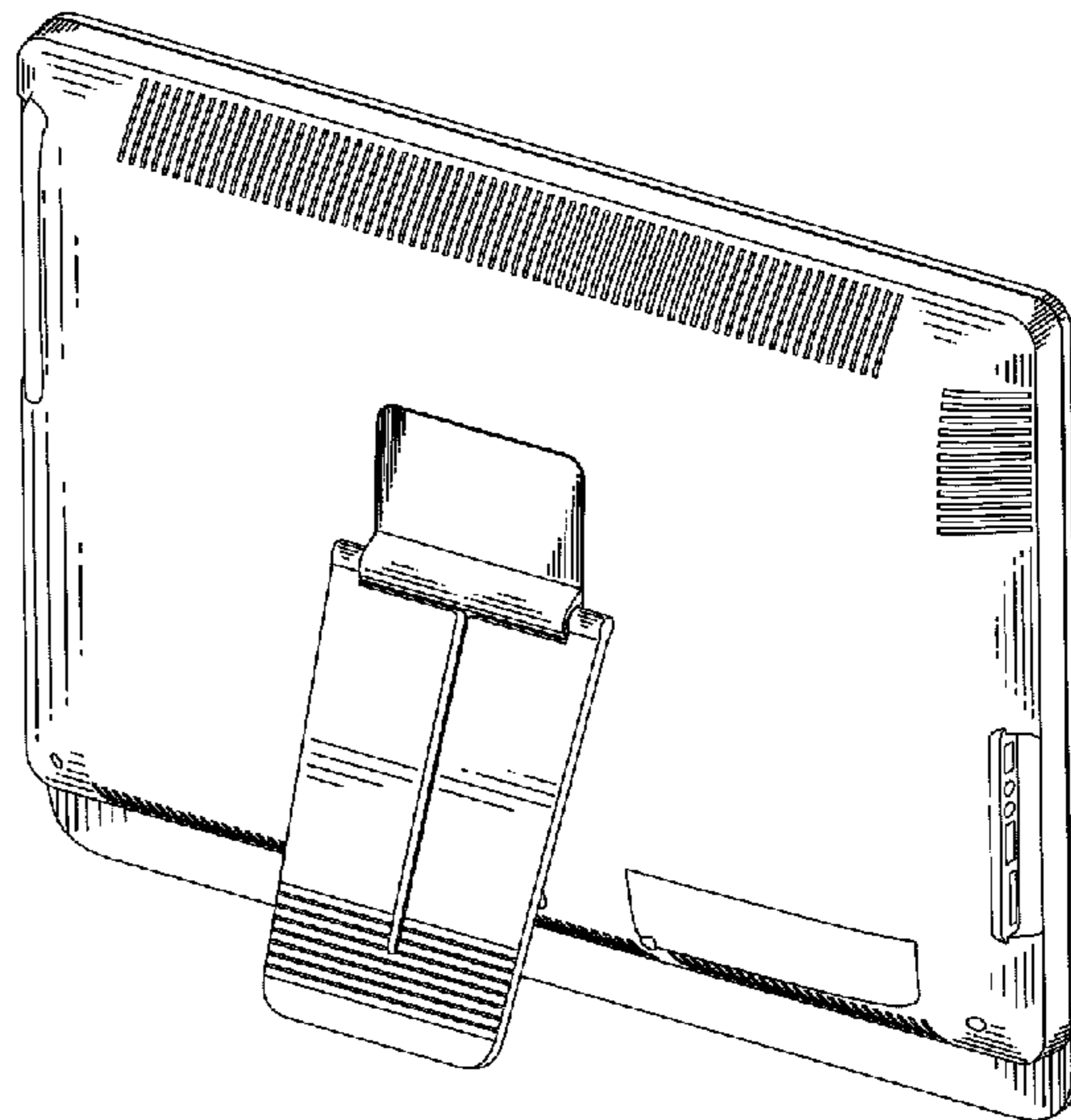
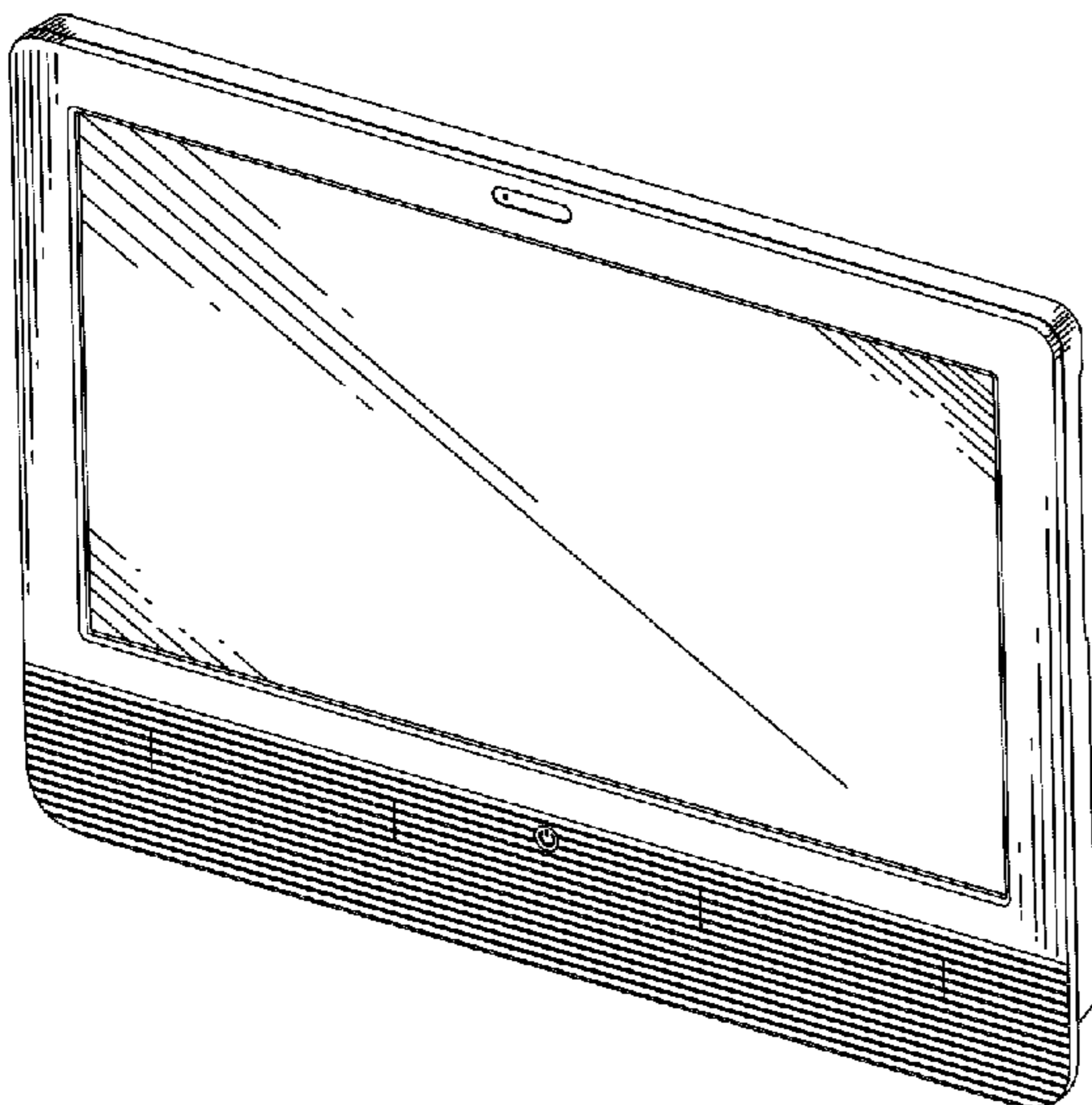
The ornamental design for an all in one personal computer, as shown and described.

DESCRIPTION

FIG. 1 is a perspective view of an all in one personal computer showing my new design;
FIG. 2 is a front elevational view thereof;
FIG. 3 is a rear elevational view thereof;
FIG. 4 is a left side elevational view thereof;
FIG. 5 is a right side elevational view thereof;
FIG. 6 is a top plan view thereof;
FIG. 7 is a bottom plan view thereof; and,
FIG. 8 is another perspective view of the all in one personal computer showing my new design.

The broken line portion of the figure drawings is included to show unclaimed subject matter only and forms no part of the claimed design.

1 Claim, 8 Drawing Sheets



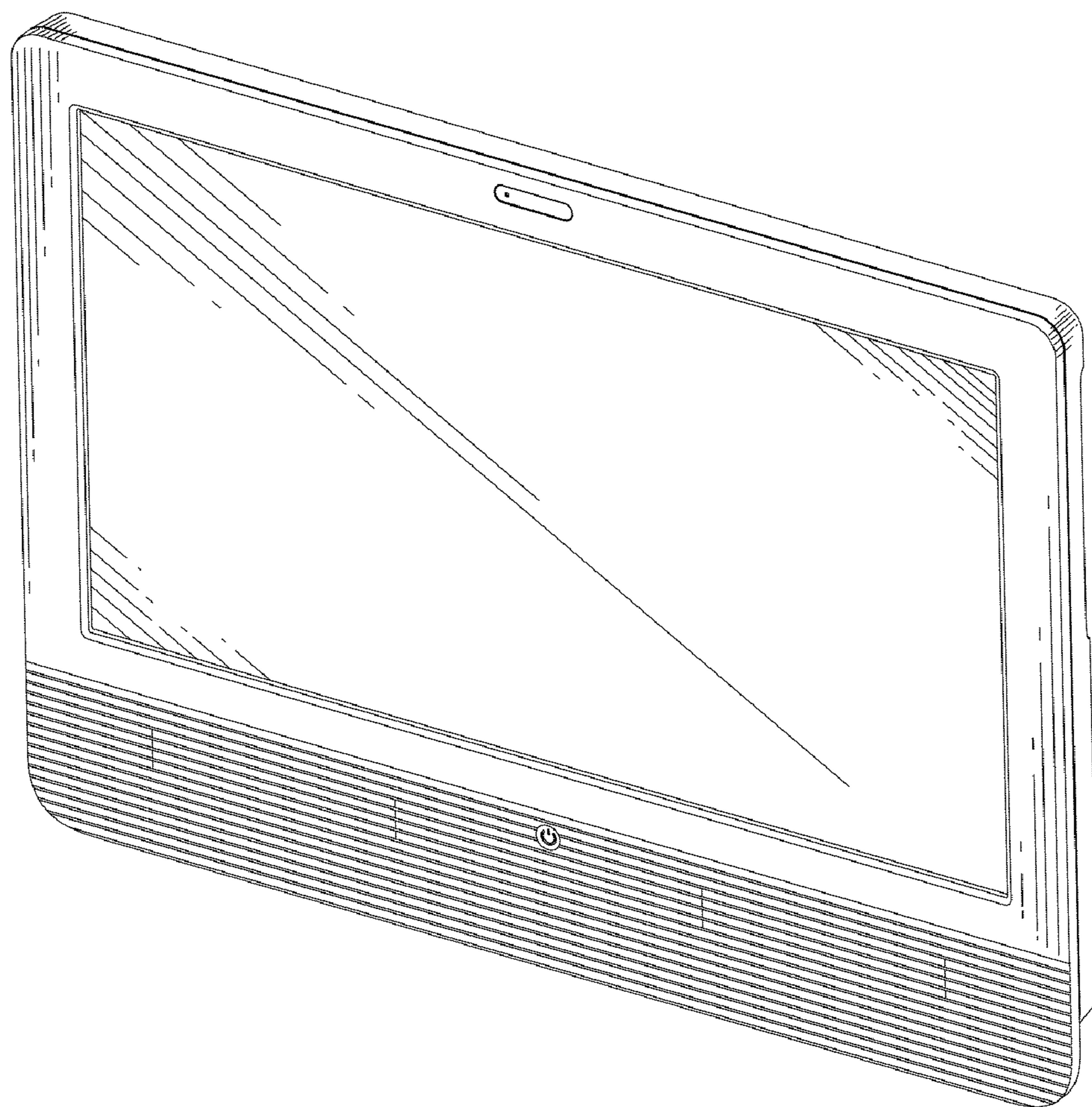


FIG. 1

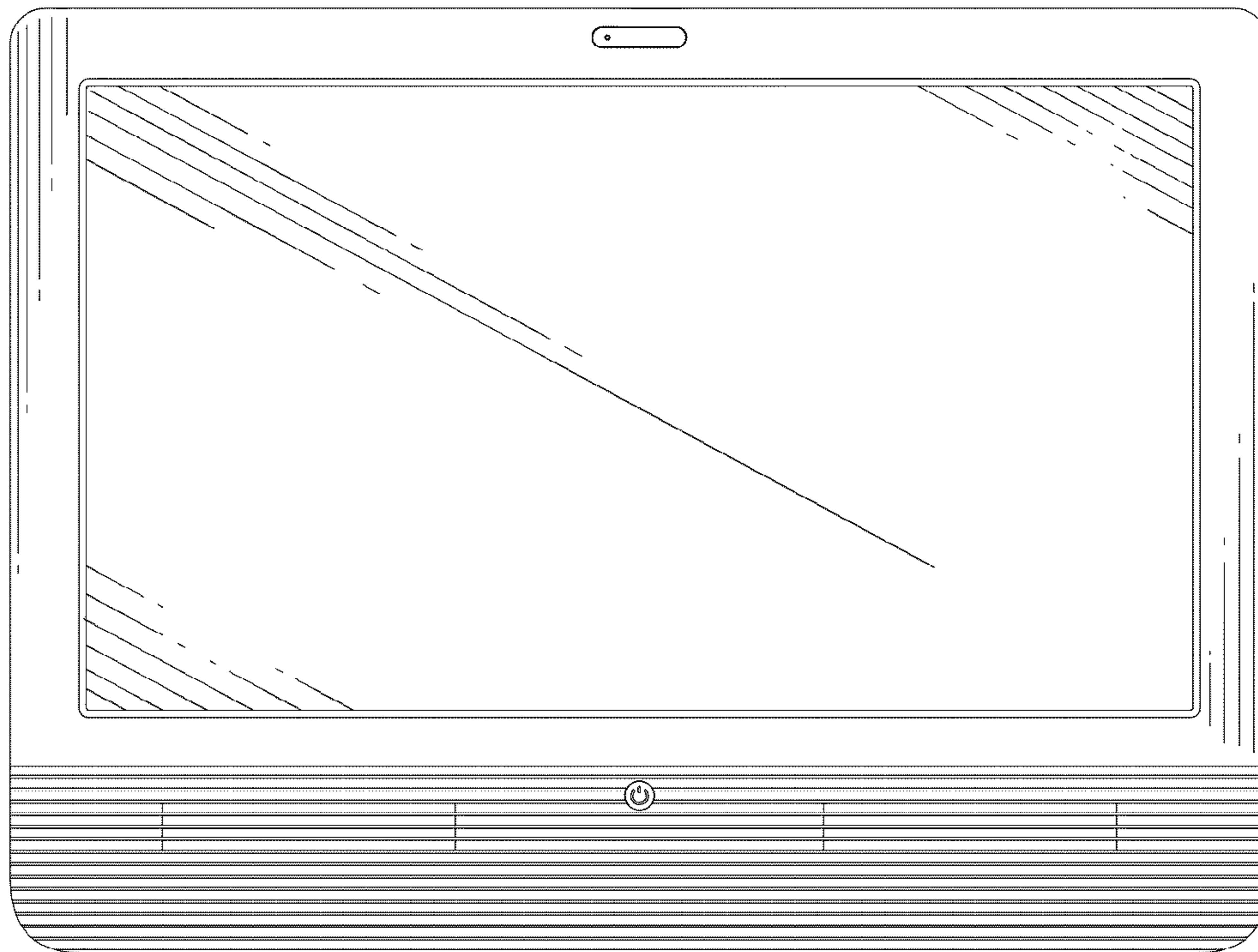


FIG. 2

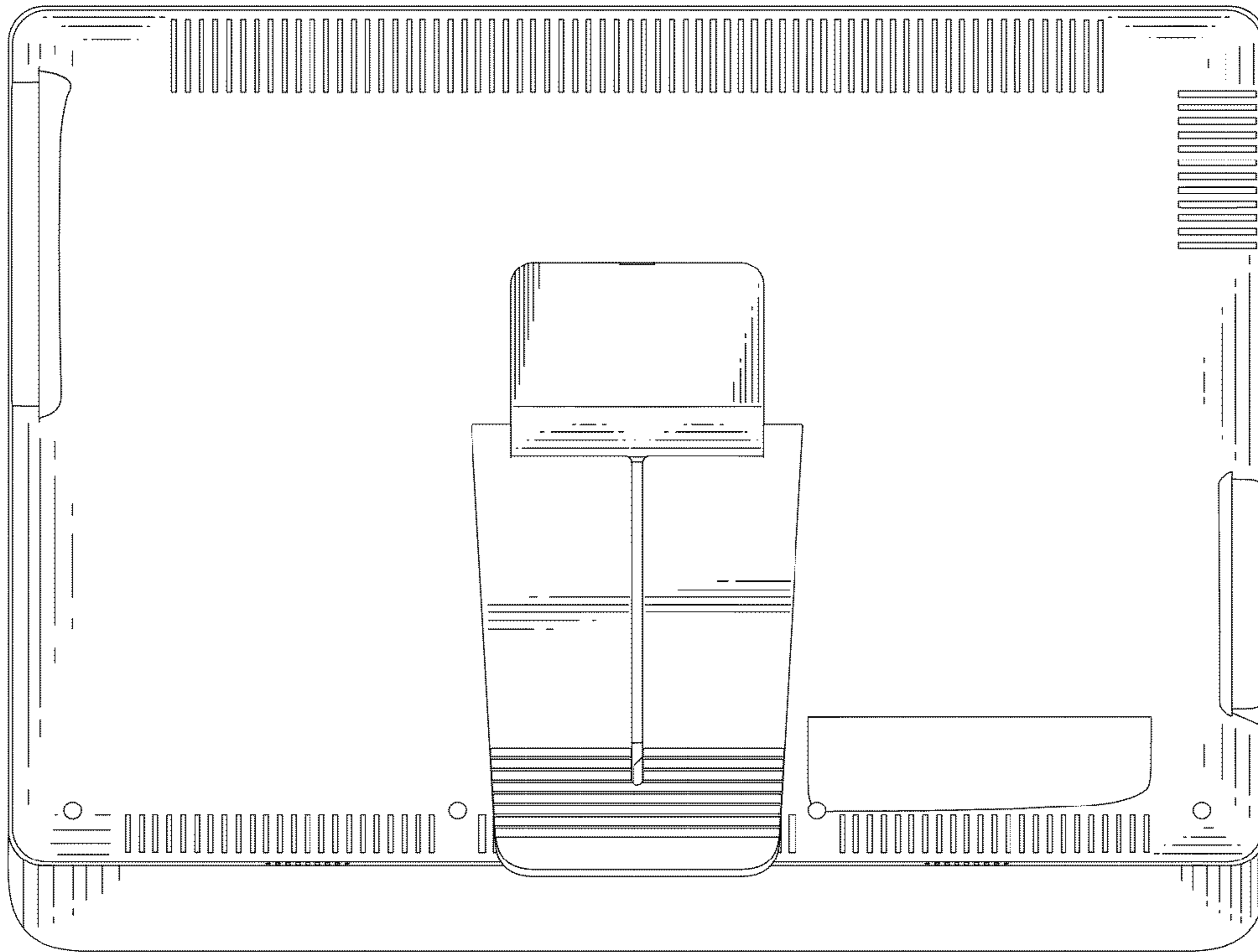


FIG. 3

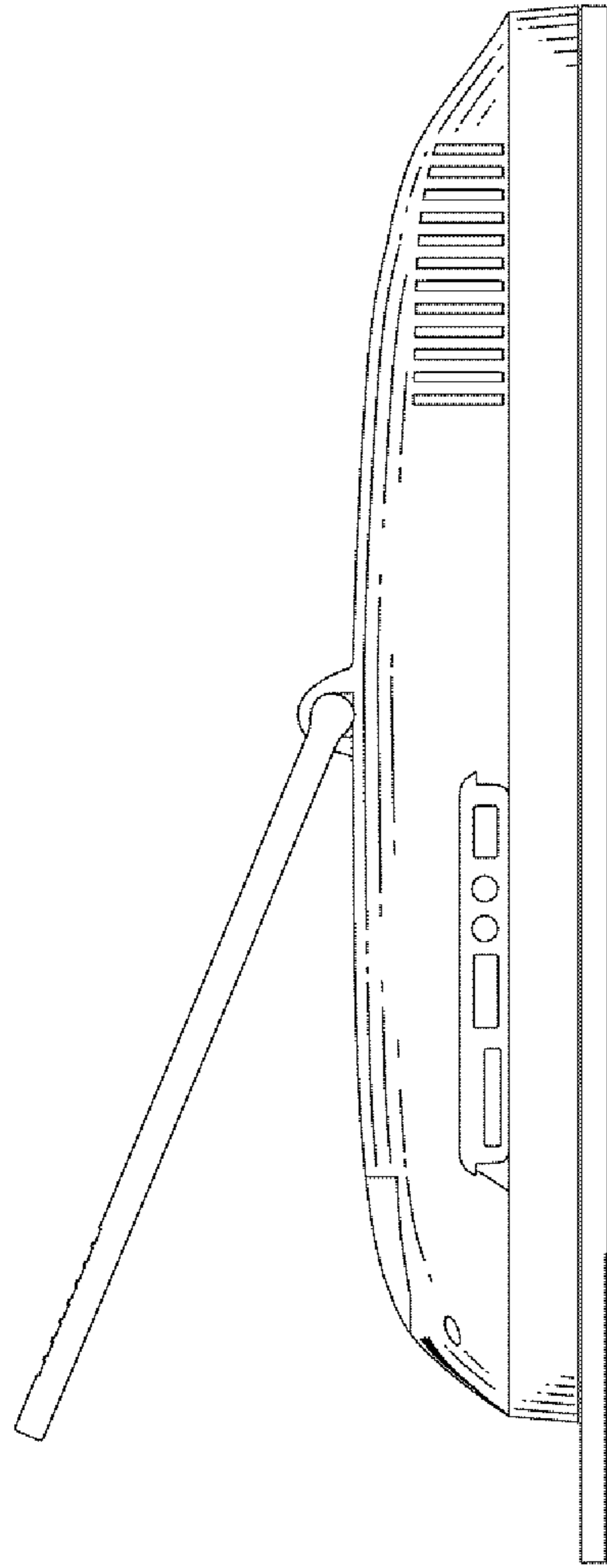


FIG. 4

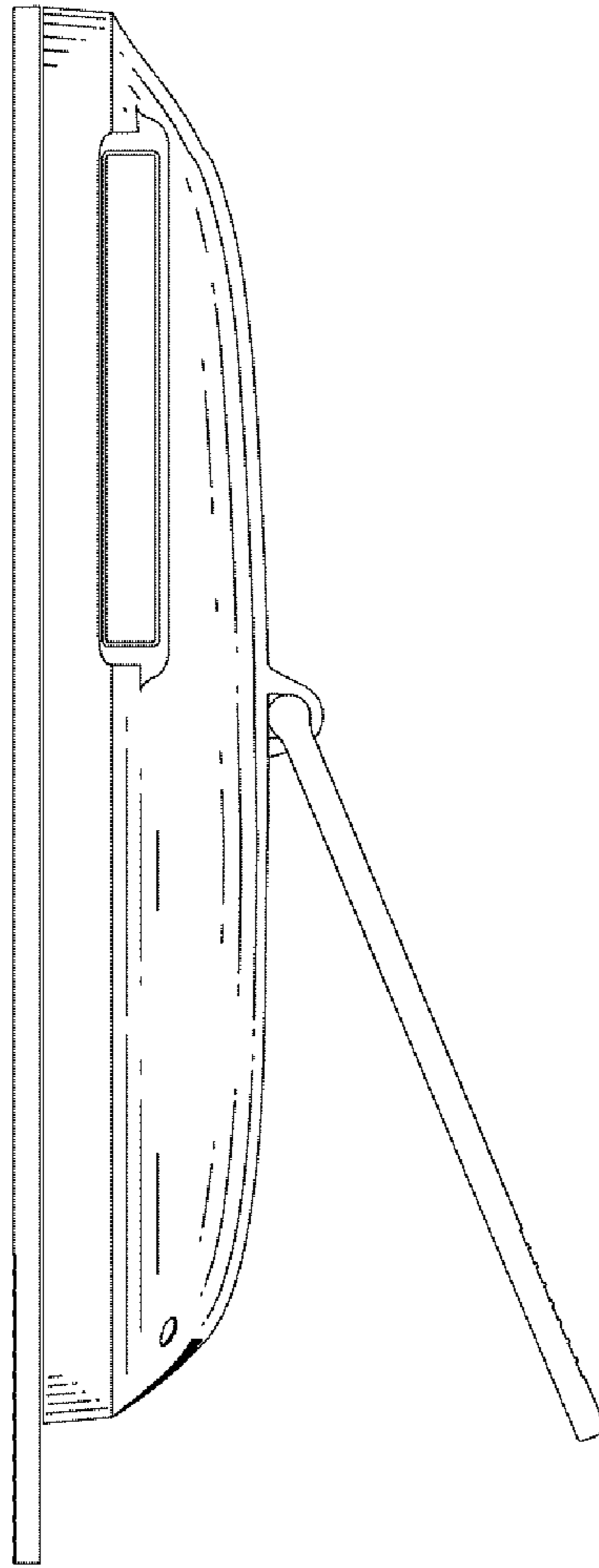


FIG. 5

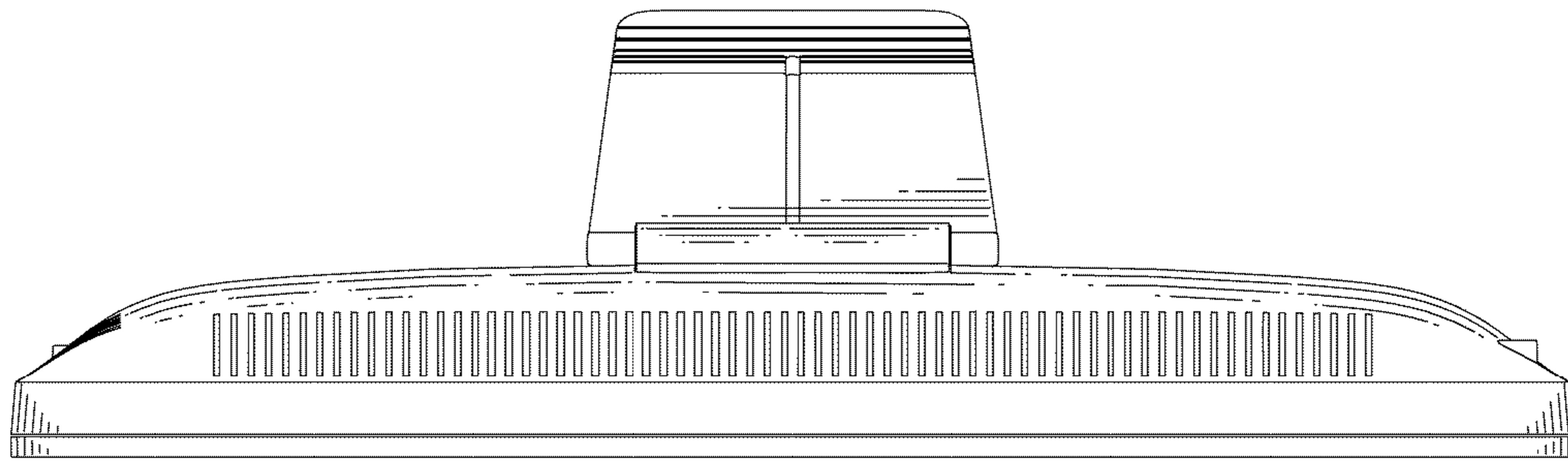


FIG. 6

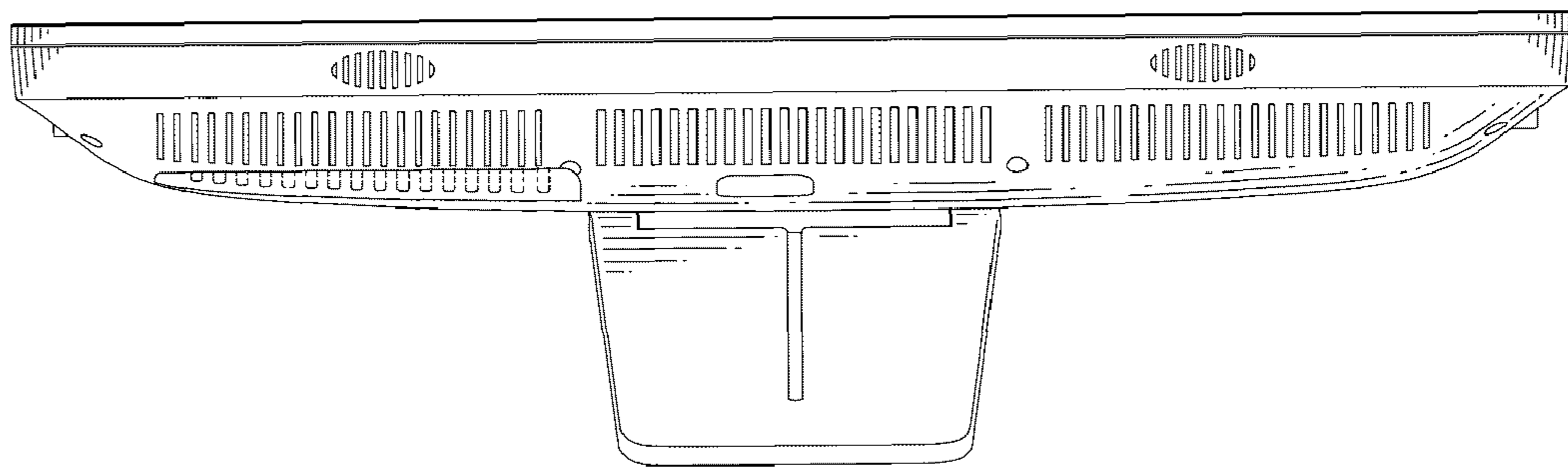


FIG. 7

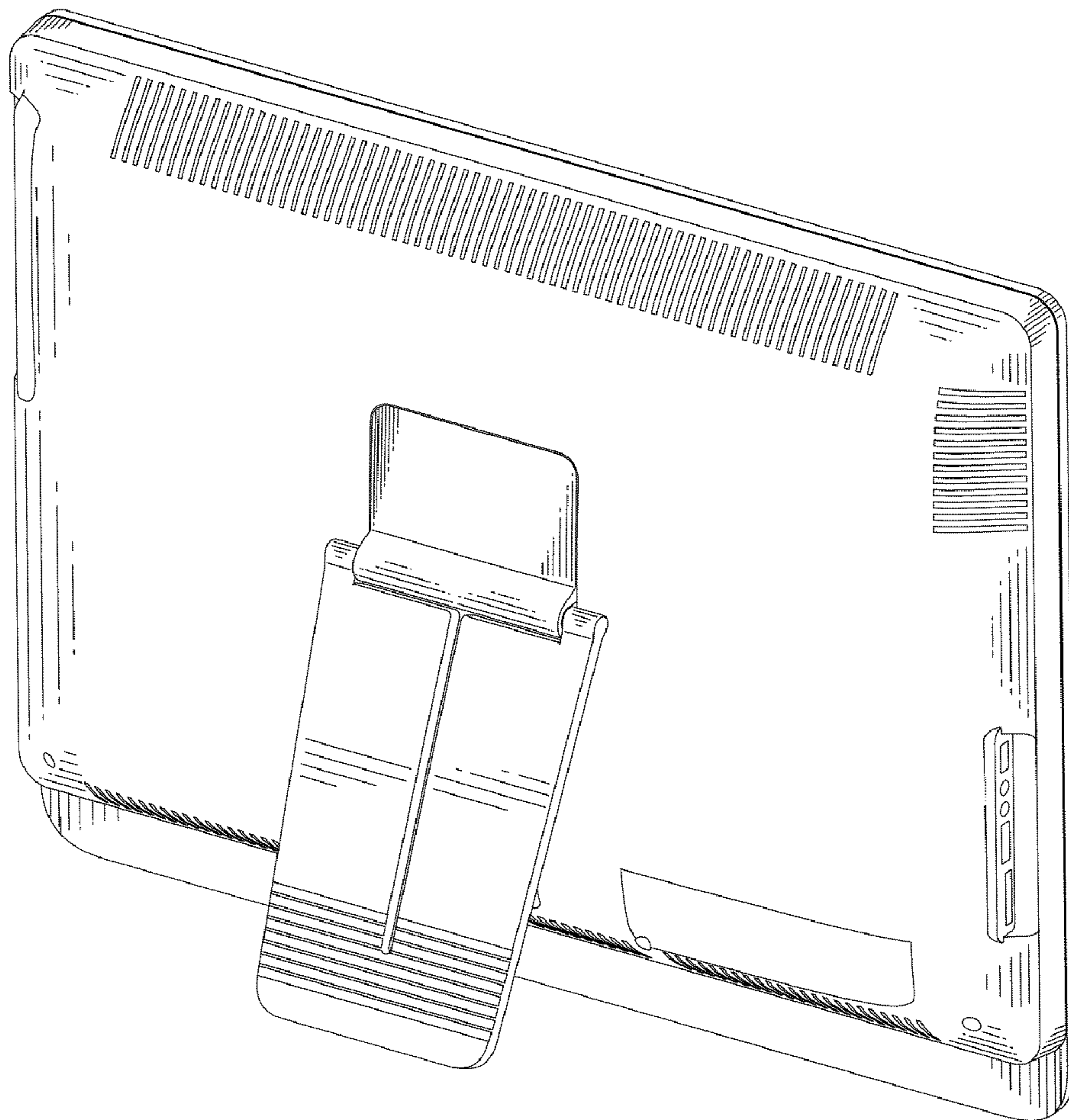


FIG. 8