



US00D645857S

(12) **United States Design Patent**
Cho et al.

(10) **Patent No.:** **US D645,857 S**

(45) **Date of Patent:** **** Sep. 27, 2011**

(54) **NOTEBOOK COMPUTER**

(75) Inventors: **Chul-Yong Cho**, Seoul (KR);
Dae-Joung Kim, Seoul (KR); **Jin-Ie**
Ryu, Seoul (KR); **Ji-Hyun Moon**,
Gwanmyeong Si (KR)

(73) Assignee: **Samsung Electronics Co., Ltd.** (KR)

(**) Term: **14 Years**

(21) Appl. No.: **29/371,049**

(22) Filed: **Sep. 30, 2010**

(30) **Foreign Application Priority Data**

Aug. 11, 2010 (KR) 30-2010-0034885

(51) **LOC (9) Cl.** **14-02**

(52) **U.S. Cl.** **D14/315**

(58) **Field of Classification Search** D14/315-327;
D18/1, 2, 7, 11; 235/145 A, 145 R; 341/22,
341/23; 345/156, 157, 168, 169, 173; 361/679.27,
361/679.09; 348/373; 715/783

See application file for complete search history.

(56) **References Cited**

U.S. PATENT DOCUMENTS

5,103,376 A * 4/1992 Blonder 361/679.09
6,067,224 A * 5/2000 Nobuchi 361/679.27

6,519,139 B2 * 2/2003 Kambayashi 361/679.09
D517,063 S * 3/2006 Nakajima et al. D14/318
D603,391 S * 11/2009 Song et al. D14/315
D603,393 S * 11/2009 Paek D14/315
D604,289 S * 11/2009 Andre et al. D14/315
D606,069 S * 12/2009 Heck et al. D14/315
D611,468 S * 3/2010 Yun et al. D14/315
2005/0018396 A1 * 1/2005 Nakajima et al. 361/683
2005/0041378 A1 * 2/2005 Hamada et al. 361/680

* cited by examiner

Primary Examiner — Freda Nunn

(74) *Attorney, Agent, or Firm* — NSIP Law

(57) **CLAIM**

The ornamental design for a notebook computer, as shown and described.

DESCRIPTION

FIG. 1 is a perspective view of a notebook computer; FIG. 2 is a front view of the notebook computer of FIG. 1; FIG. 3 is a rear view of the notebook computer of FIG. 1; FIG. 4 is a left-side view of the notebook computer of FIG. 1; FIG. 5 is a right-side view of the notebook computer of FIG. 1; FIG. 6 is a top plan view of the notebook computer of FIG. 1; FIG. 7 is a bottom plan view of the notebook computer of FIG. 1; and, FIG. 8 is an open view of the notebook computer of FIG. 1. The broken lines in the drawings showing the notebook computer form no part of the claimed design.

1 Claim, 6 Drawing Sheets

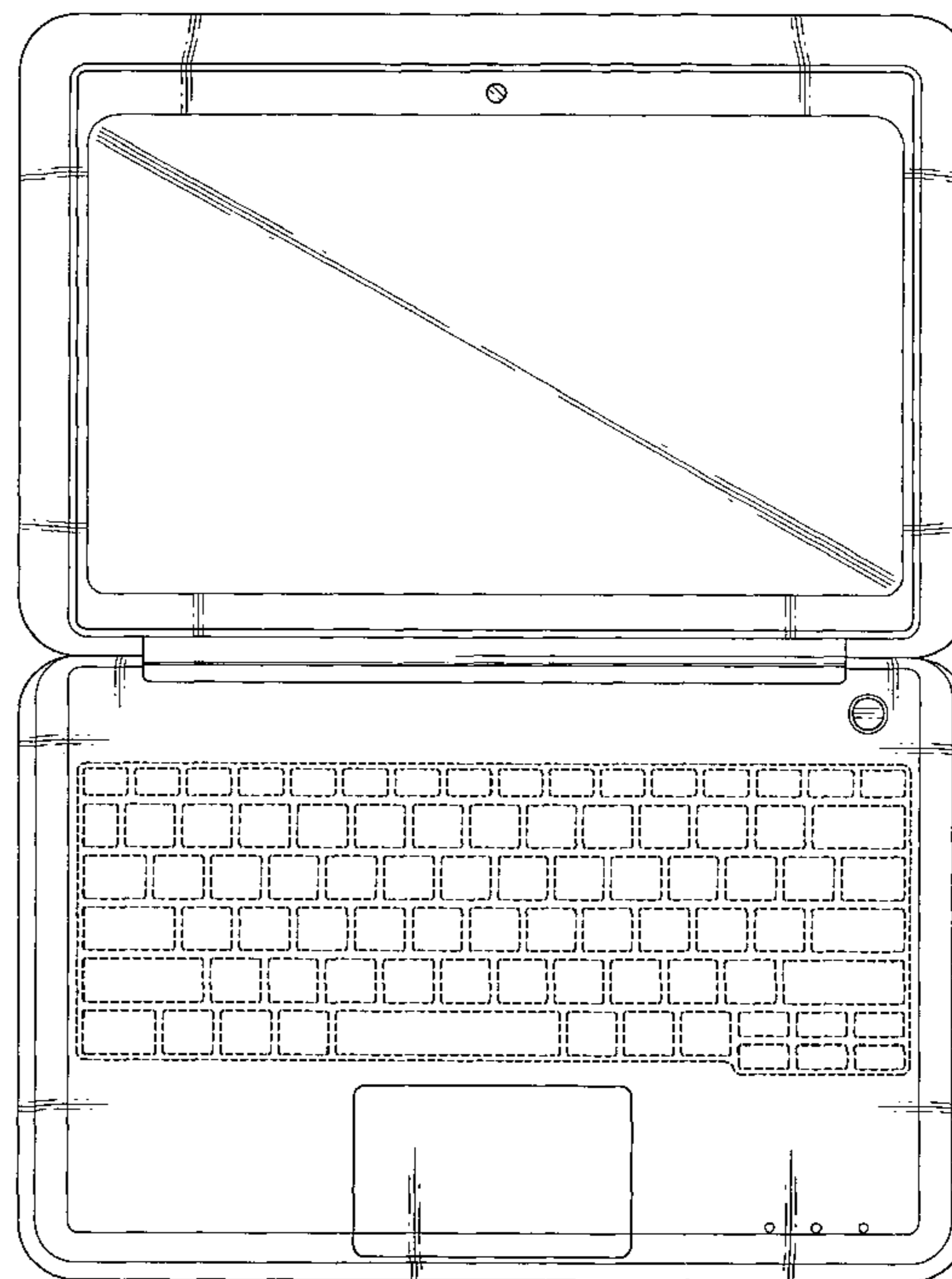
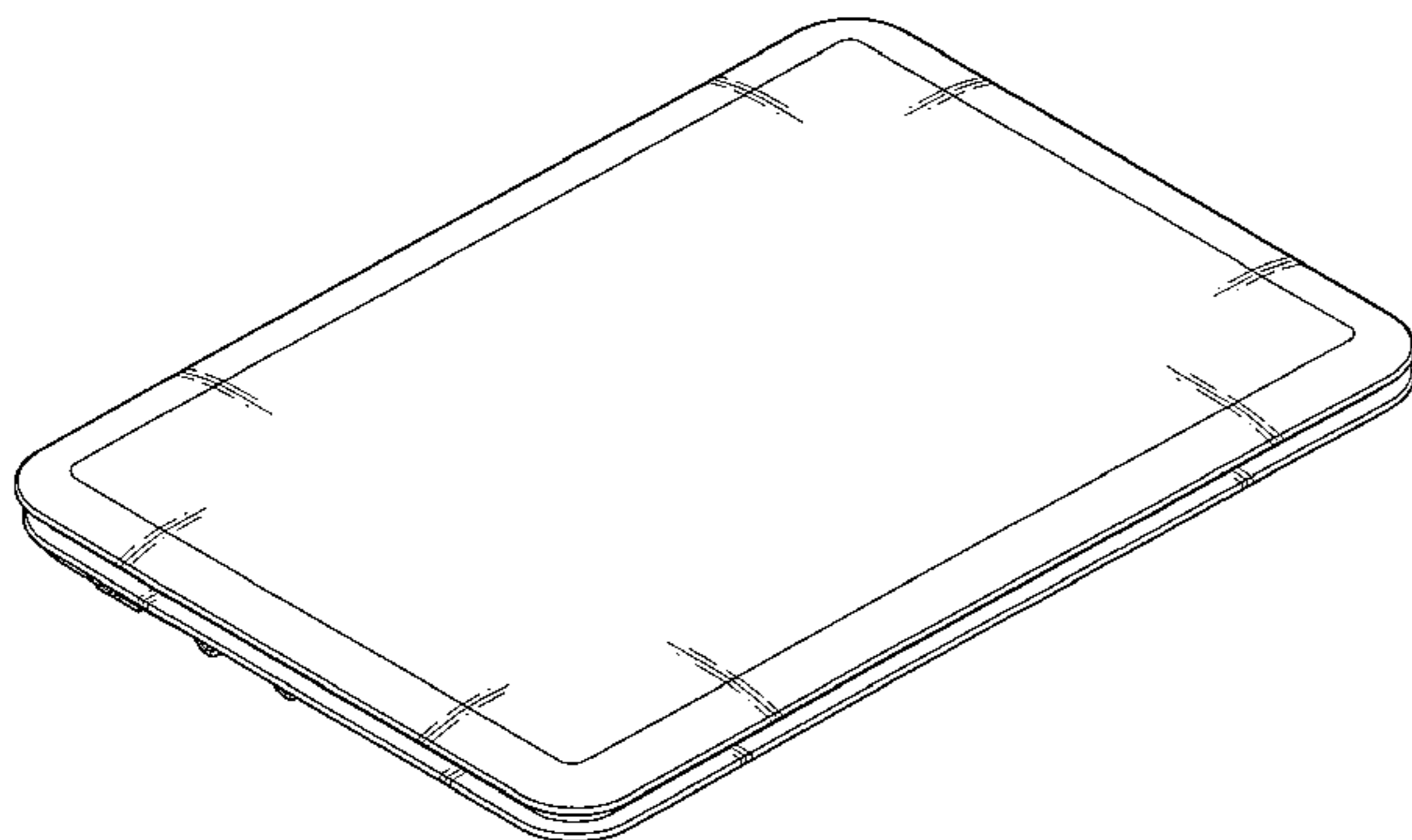


FIG. 1

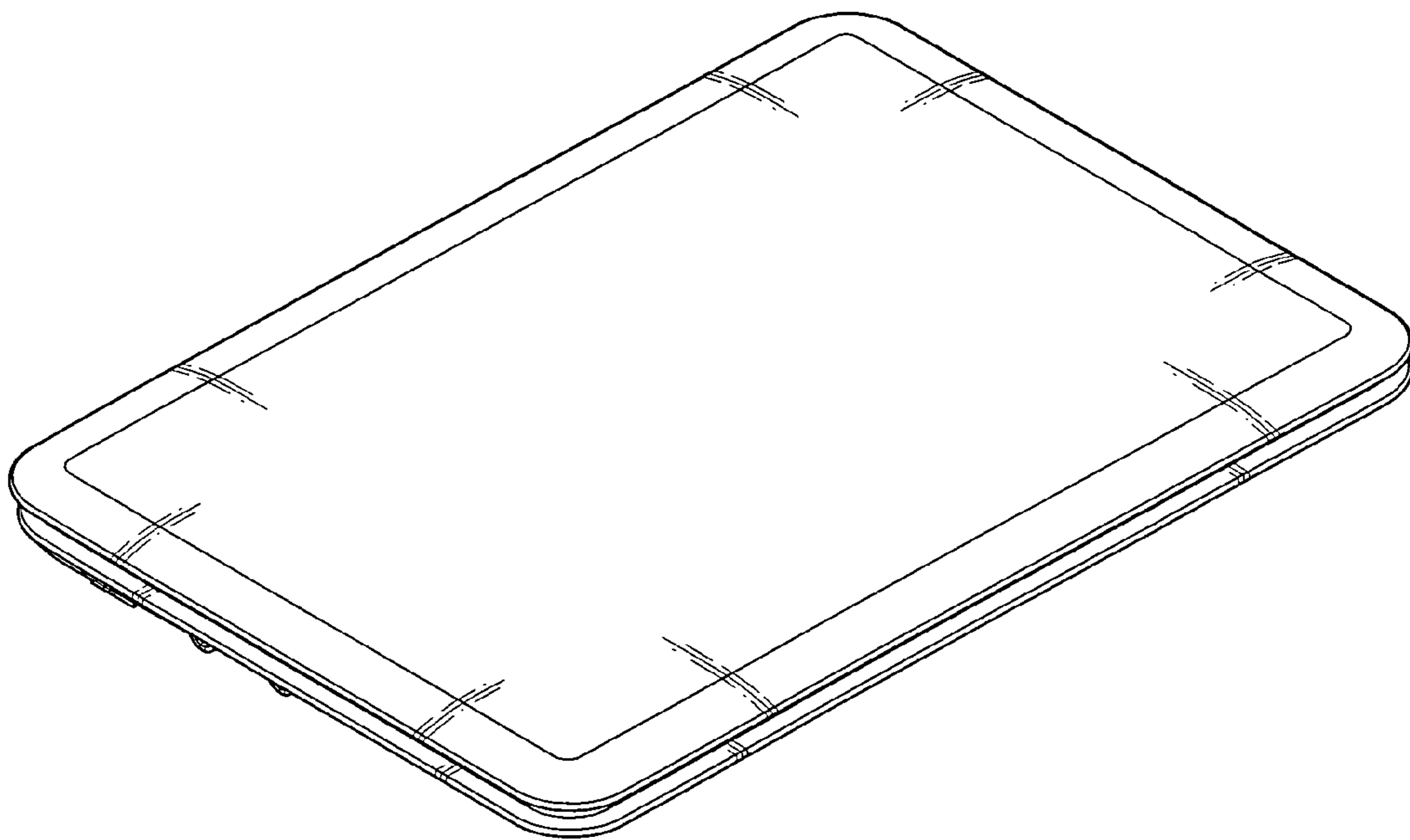


FIG. 2

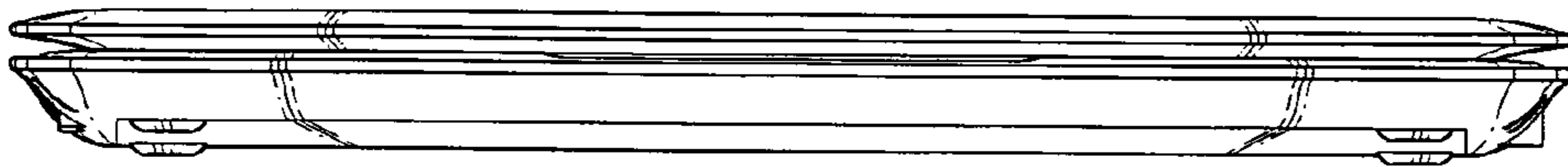


FIG. 3

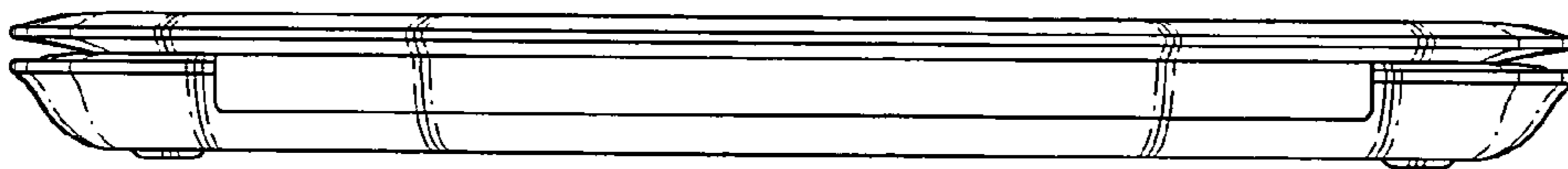


FIG. 4

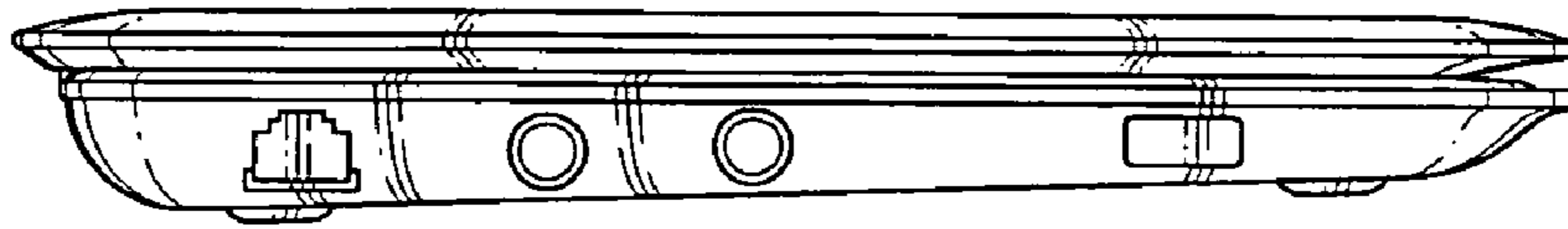


FIG. 5

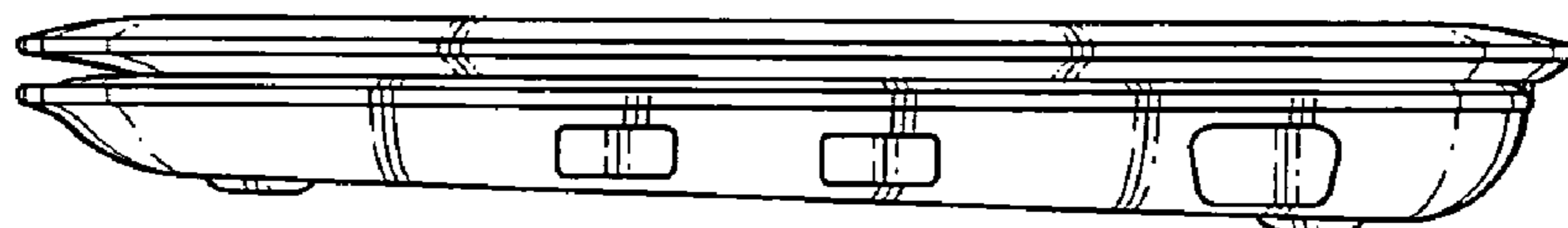


FIG. 6

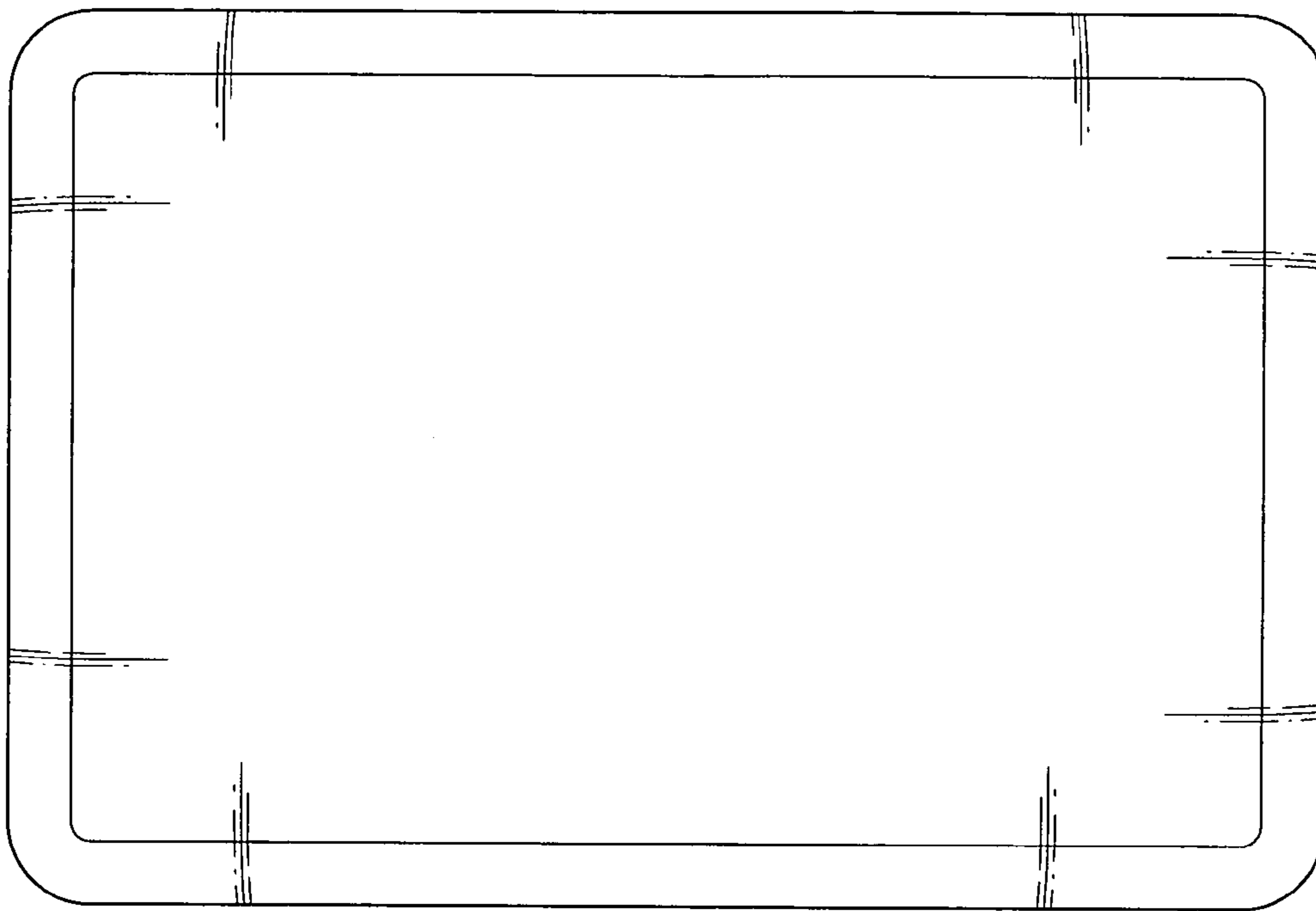


FIG. 7

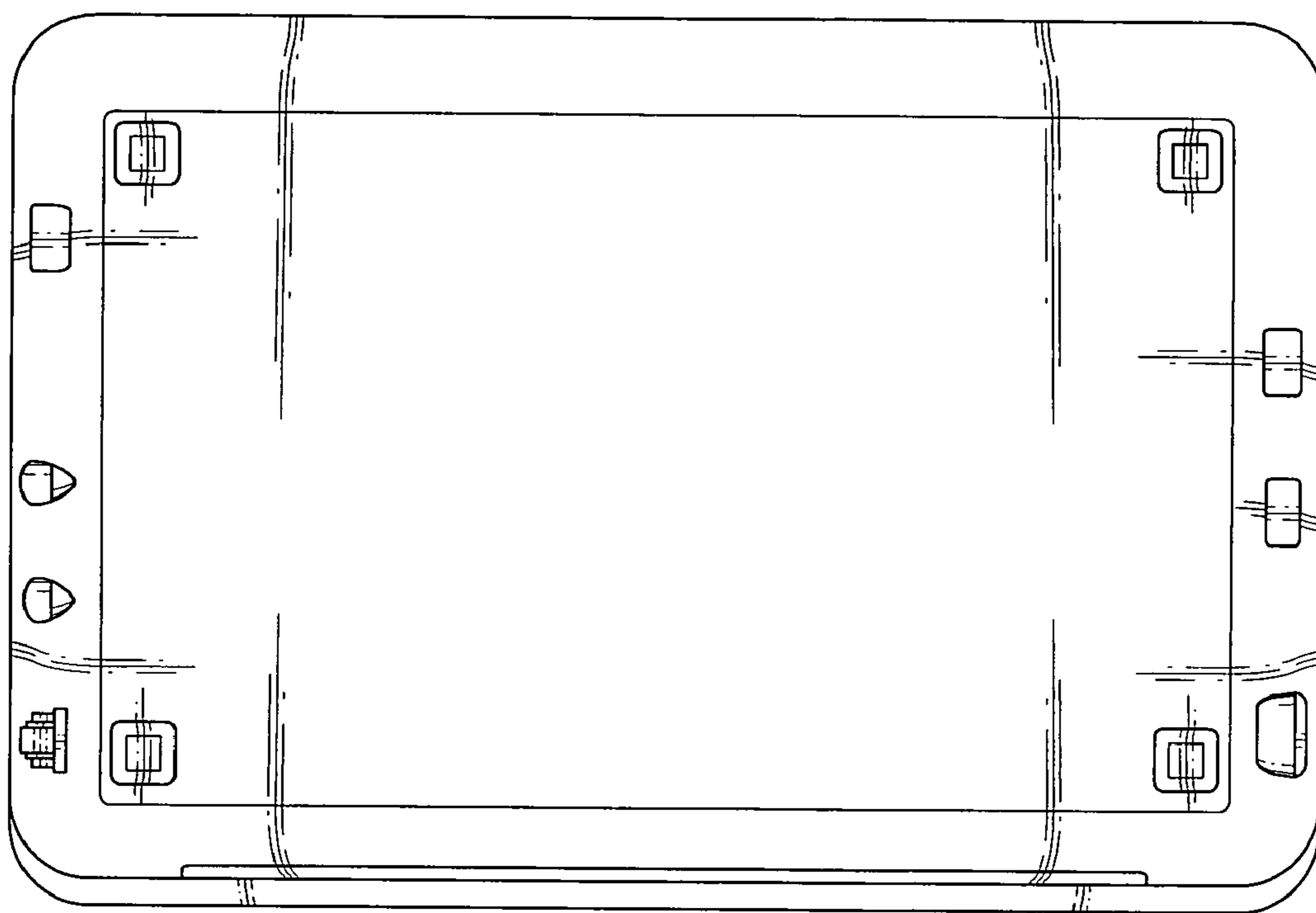


FIG. 8

