



US00D645856S

(12) **United States Design Patent**  
**Cho et al.**

(10) **Patent No.:** **US D645,856 S**  
(45) **Date of Patent:** **\*\* Sep. 27, 2011**

(54) **NOTEBOOK COMPUTER**

(75) Inventors: **Chul-Yong Cho**, Seoul (KR);  
**Dae-Joung Kim**, Seoul (KR); **Jin-Ie Ryu**, Seoul (KR); **Ji-Hyun Moon**, Seoul (KR)

(73) Assignee: **Samsung Electronics Co., Ltd.** (KR)

(\*\*) Term: **14 Years**

(21) Appl. No.: **29/371,048**

(22) Filed: **Sep. 30, 2010**

(30) **Foreign Application Priority Data**

Aug. 11, 2010 (KR) ..... 30-2010-0034884

(51) **LOC (9) Cl.** ..... **14-02**

(52) **U.S. Cl.** ..... **D14/315**

(58) **Field of Classification Search** ..... D14/315-327;  
D18/1, 2, 7, 11; 235/145 A, 145 R; 341/22,  
341/23; 345/156, 157, 168, 169, 173; 361/679.27,  
361/679.09; 348/373; 715/783

See application file for complete search history.

(56) **References Cited**

**U.S. PATENT DOCUMENTS**

5,103,376 A \* 4/1992 Blonder ..... 361/679.09  
6,067,224 A \* 5/2000 Nobuchi ..... 361/679.27

6,519,139 B2 \* 2/2003 Kambayashi ..... 361/679.09  
D517,063 S \* 3/2006 Nakajima et al. .... D14/318  
D603,391 S \* 11/2009 Song et al. .... D14/315  
D603,393 S \* 11/2009 Paek ..... D14/315  
D604,289 S \* 11/2009 Andre et al. .... D14/315  
D606,069 S \* 12/2009 Heck et al. .... D14/315  
D611,468 S \* 3/2010 Yun et al. .... D14/315  
2005/0018396 A1 \* 1/2005 Nakajima et al. .... 361/683  
2005/0041378 A1 \* 2/2005 Hamada et al. .... 361/680

\* cited by examiner

*Primary Examiner* — Freda Nunn

(74) *Attorney, Agent, or Firm* — NSIP Law

(57) **CLAIM**

The ornamental design for a notebook computer, as shown and described.

**DESCRIPTION**

FIG. 1 is a perspective view of a notebook computer; FIG. 2 is a front view of the notebook computer of FIG. 1; FIG. 3 is a rear view of the notebook computer of FIG. 1; FIG. 4 is a left-side view of the notebook computer of FIG. 1; FIG. 5 is a right-side view of the notebook computer of FIG. 1; FIG. 6 is a top plan view of the notebook computer of FIG. 1; FIG. 7 is a bottom plan view of the notebook computer of FIG. 1; and, FIG. 8 is an open view of the notebook computer of FIG. 1. The broken lines in the drawings showing the notebook computer form no part of the claimed design.

**1 Claim, 6 Drawing Sheets**

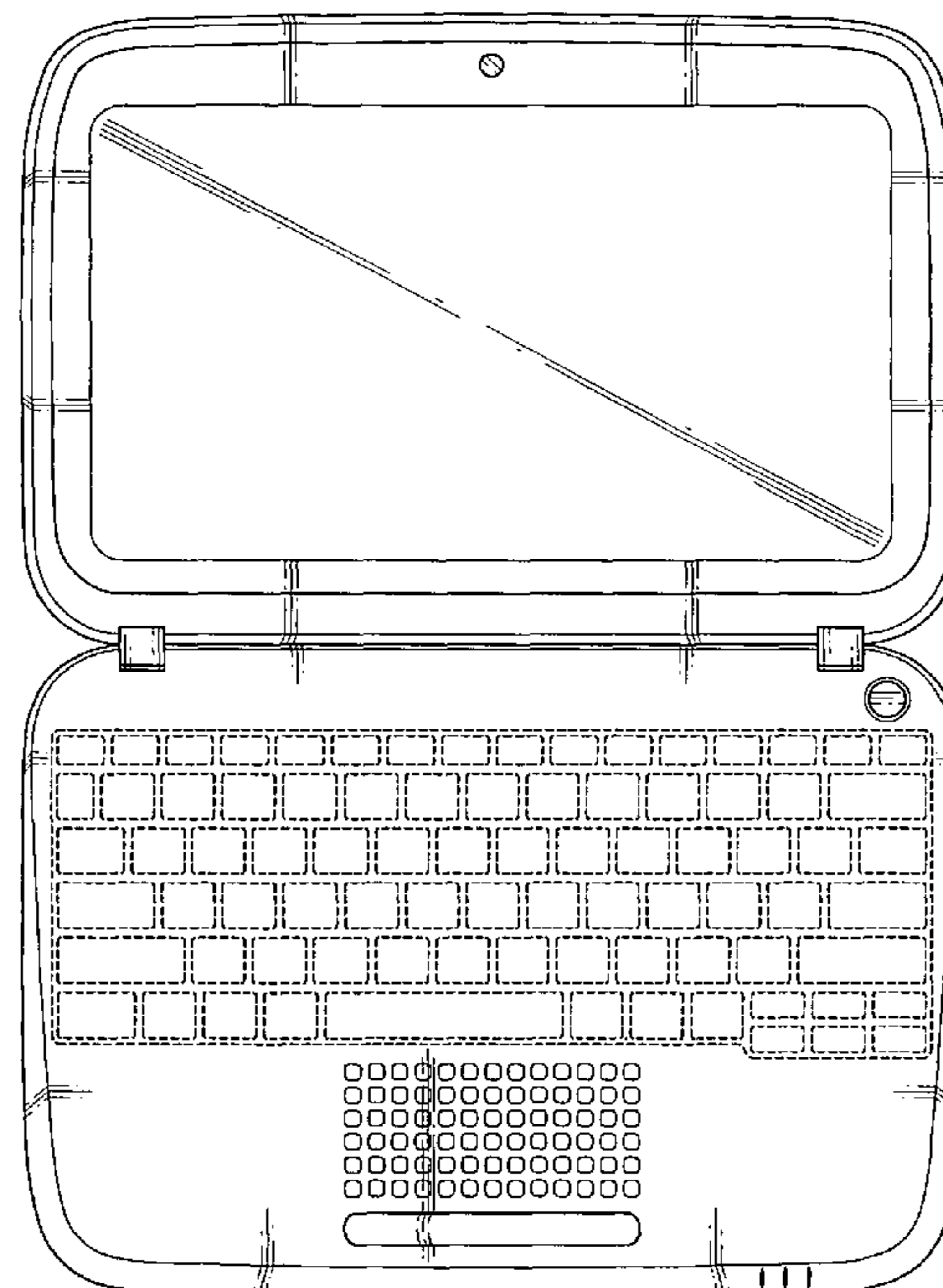
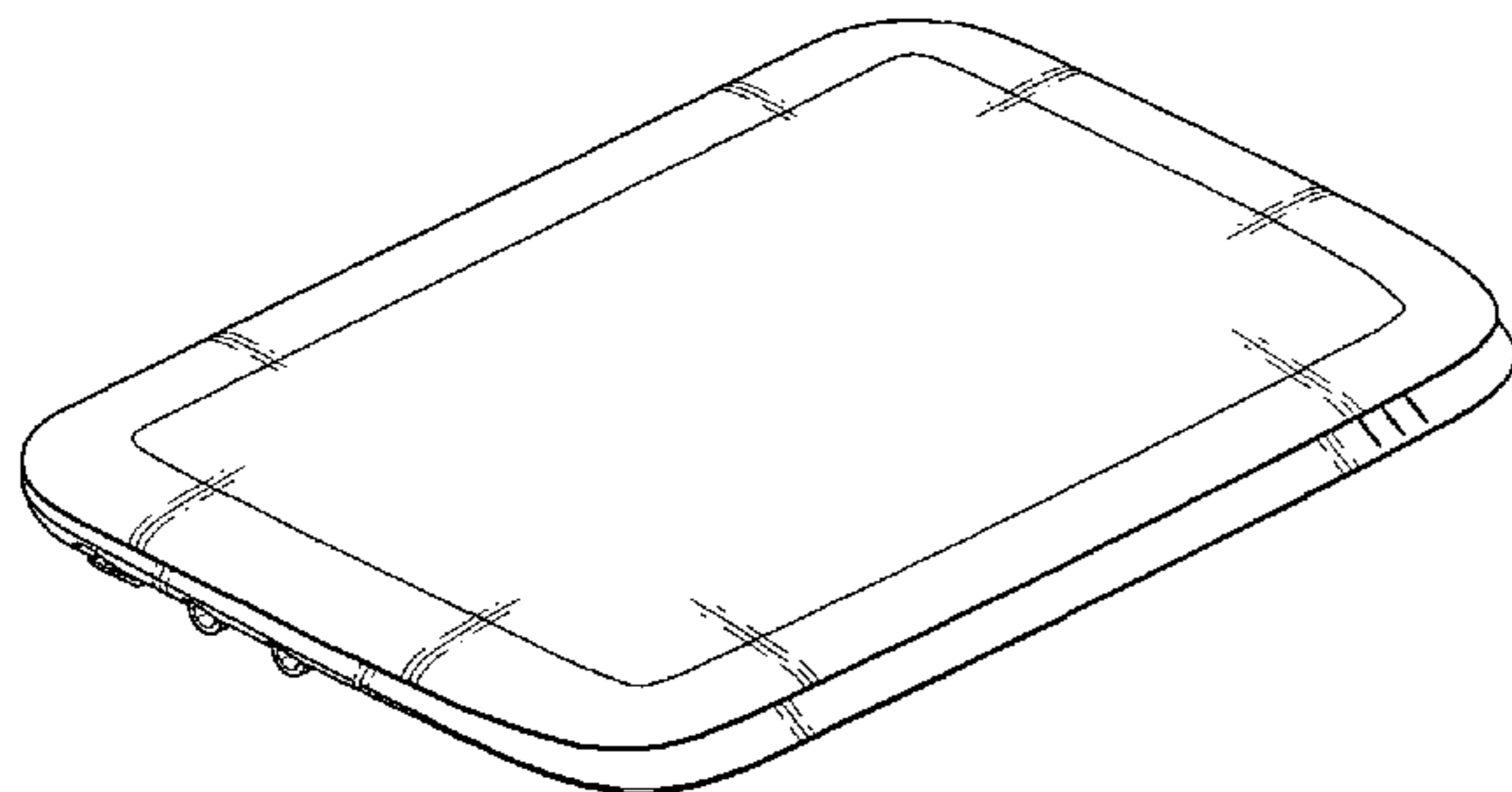


FIG. 1

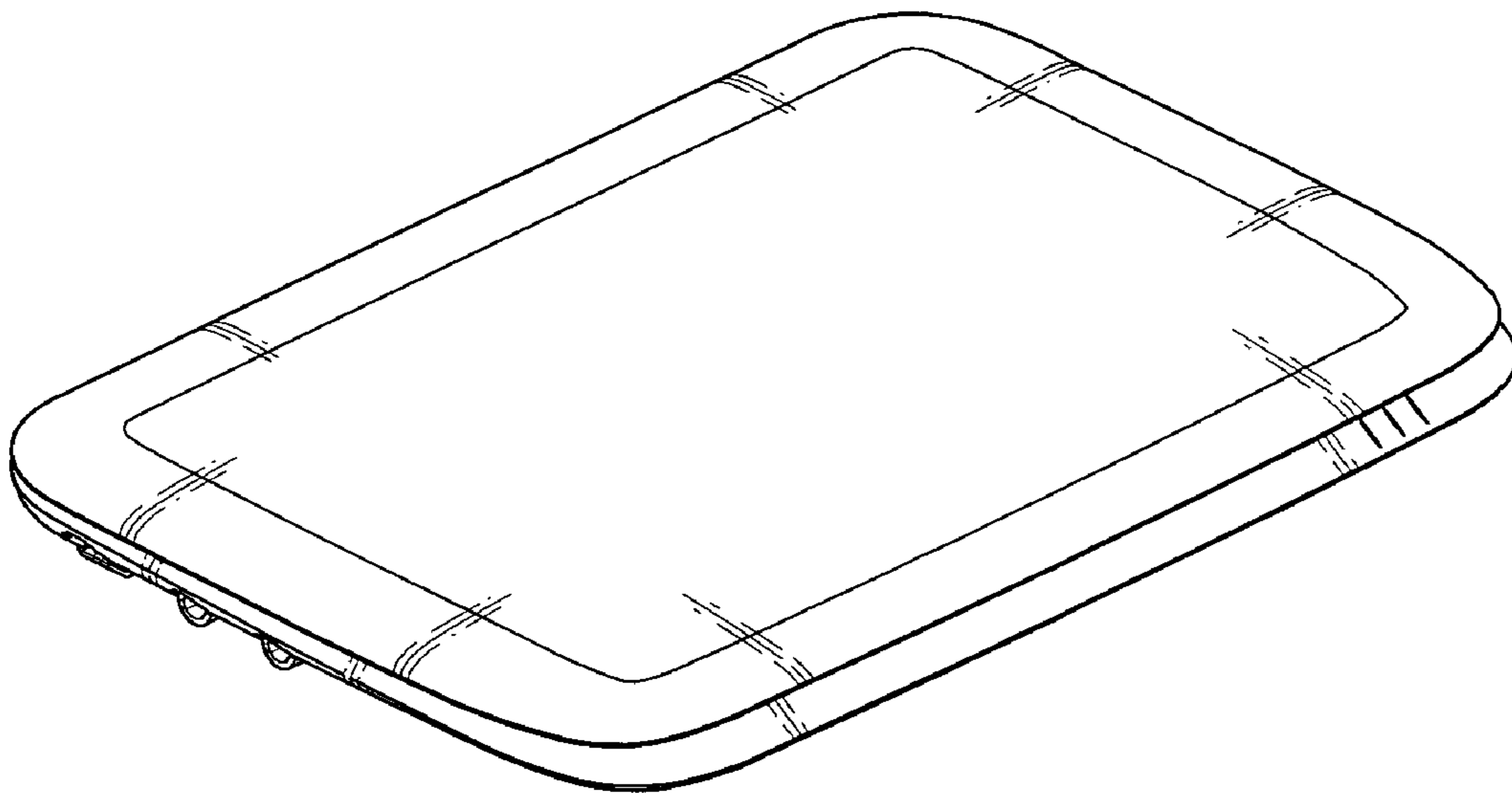


FIG. 2

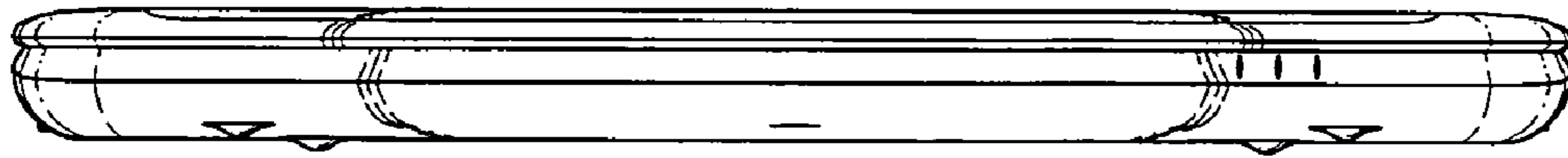


FIG. 3

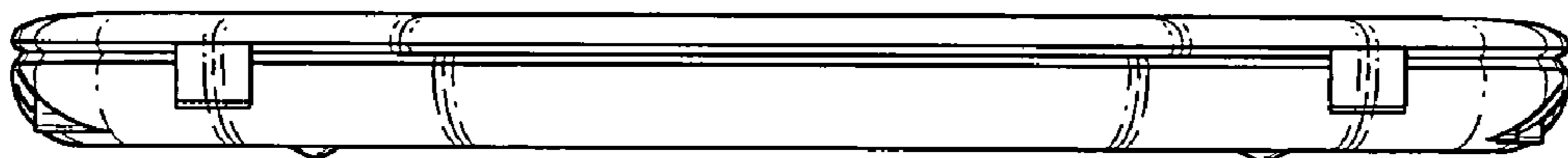


FIG. 4

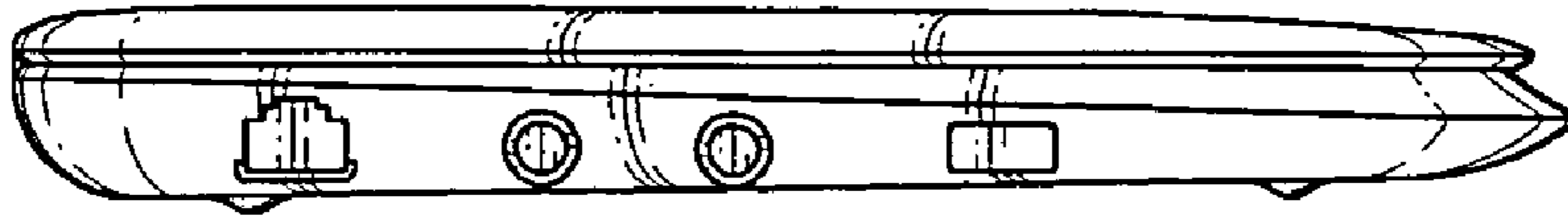


FIG. 5

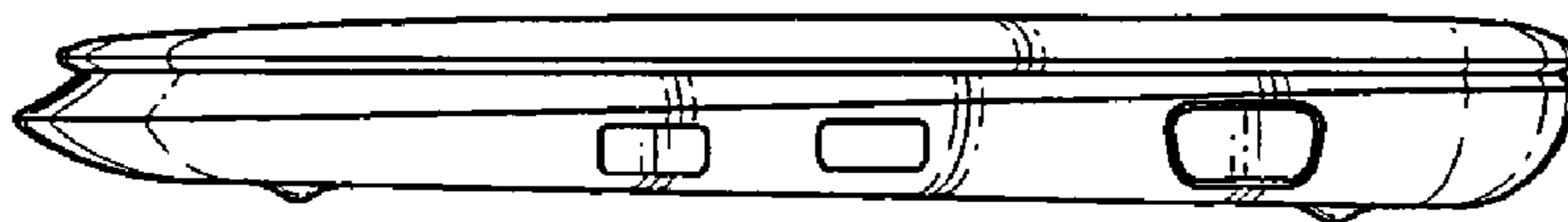


FIG. 6

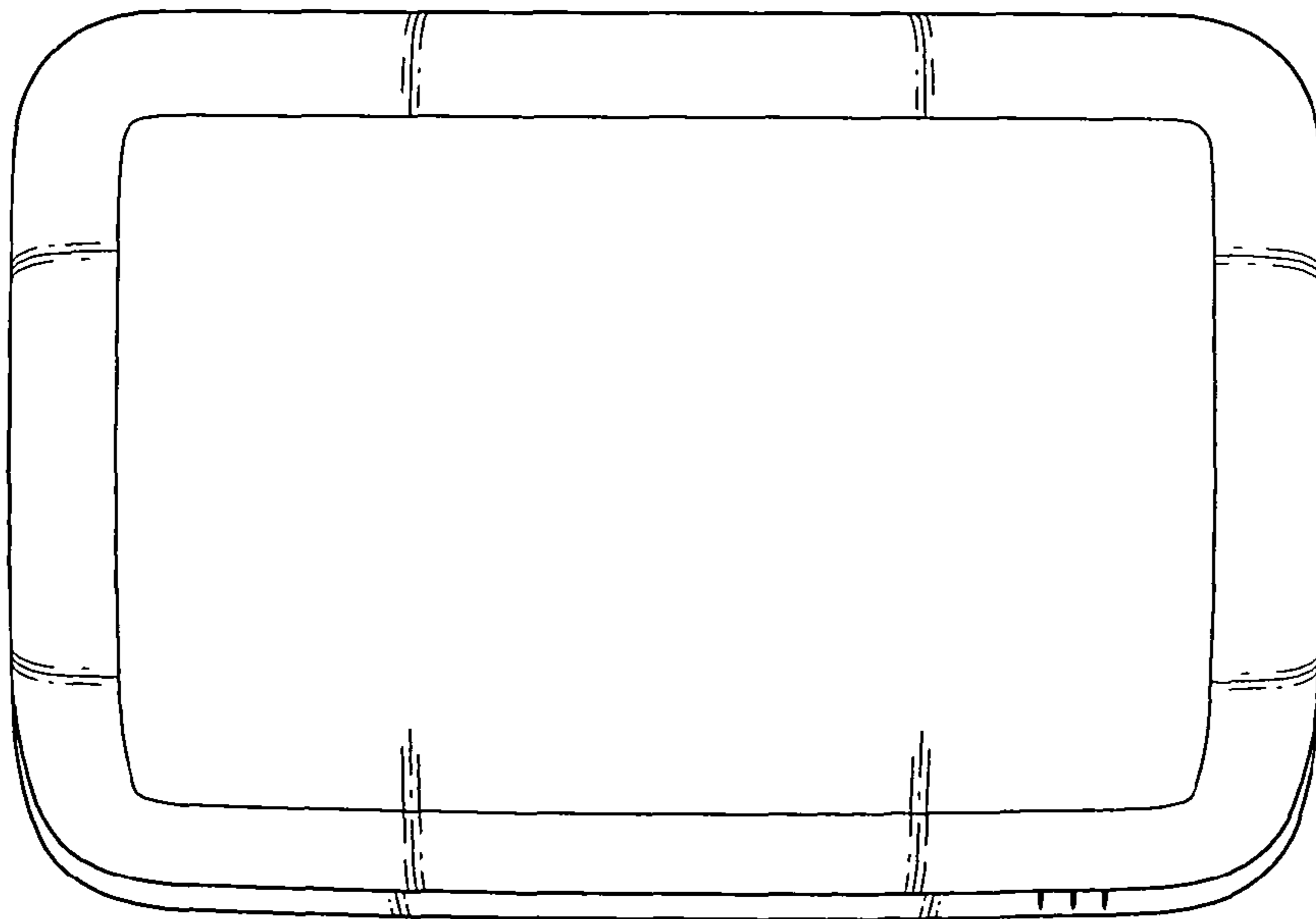


FIG. 7

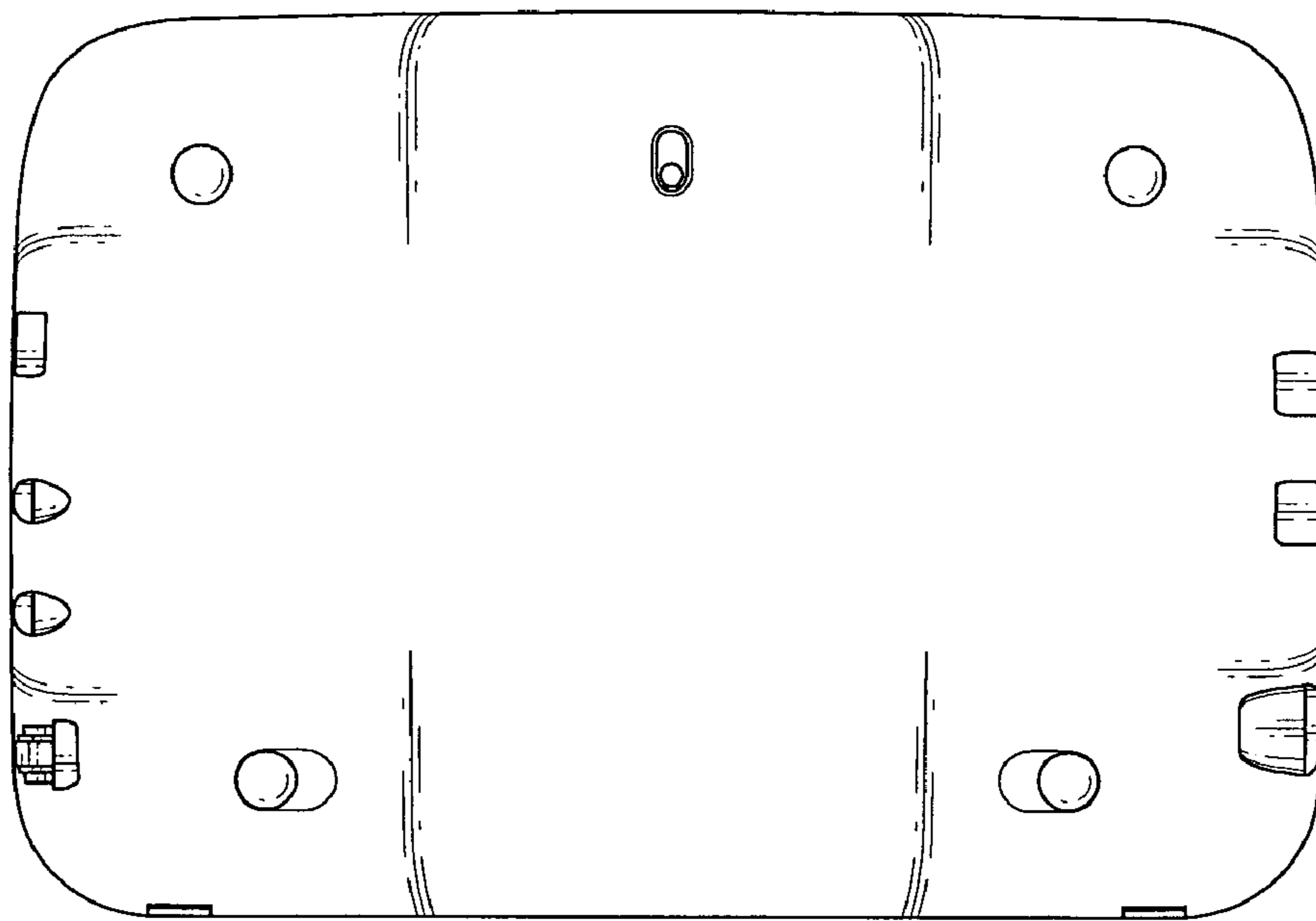


FIG. 8

