



US00D645853S

(12) **United States Design Patent**
Gehrke

(10) **Patent No.:** **US D645,853 S**

(45) **Date of Patent:** **** Sep. 27, 2011**

(54) **AUDIO AMPLIFIER FACEPLATE**

(76) Inventor: **Robert Gehrke**, Zossen (DE)

(**) Term: **14 Years**

(21) Appl. No.: **29/381,676**

(22) Filed: **Dec. 22, 2010**

(51) **LOC (9) Cl.** **14-01**

(52) **U.S. Cl.** **D14/257**

(58) **Field of Classification Search** D13/107,
D13/108, 149, 164, 177, 182, 184; D14/496,
D14/155, 188, 198, 348, 433–435, 435.1,
D14/136, 480.1–480.7, 356, 257–258; 710/300,
710/301; 439/131, 135–147; 361/679.33

See application file for complete search history.

(56) **References Cited**

U.S. PATENT DOCUMENTS

D415,116 S	*	10/1999	Creutz et al.	D13/182
D515,545 S	*	2/2006	Griffin	D14/155
D520,502 S	*	5/2006	Xu et al.	D14/356
D563,943 S	*	3/2008	Watanabe	D14/188

OTHER PUBLICATIONS

Pending U.S. Appl. No. 29/358,798, filed Mar. 31, 2010, of the same applicant.

Pending U.S. Appl. No. 29/362,282, filed May 21, 2010, of the same applicant.

4DThinker, FiiO E5 Headphone Amplifier Review, 4th Dimension Thinking Blog posted on Jan. 17th, 2009, published online at <http://4dthinker.blogspot.com/2009/01/fio-e5-headphone-amplifier-re-view.html>.

* cited by examiner

Primary Examiner — Nanda Bondade

(74) *Attorney, Agent, or Firm* — Smartpat PLC; Axel Nix

(57) **CLAIM**

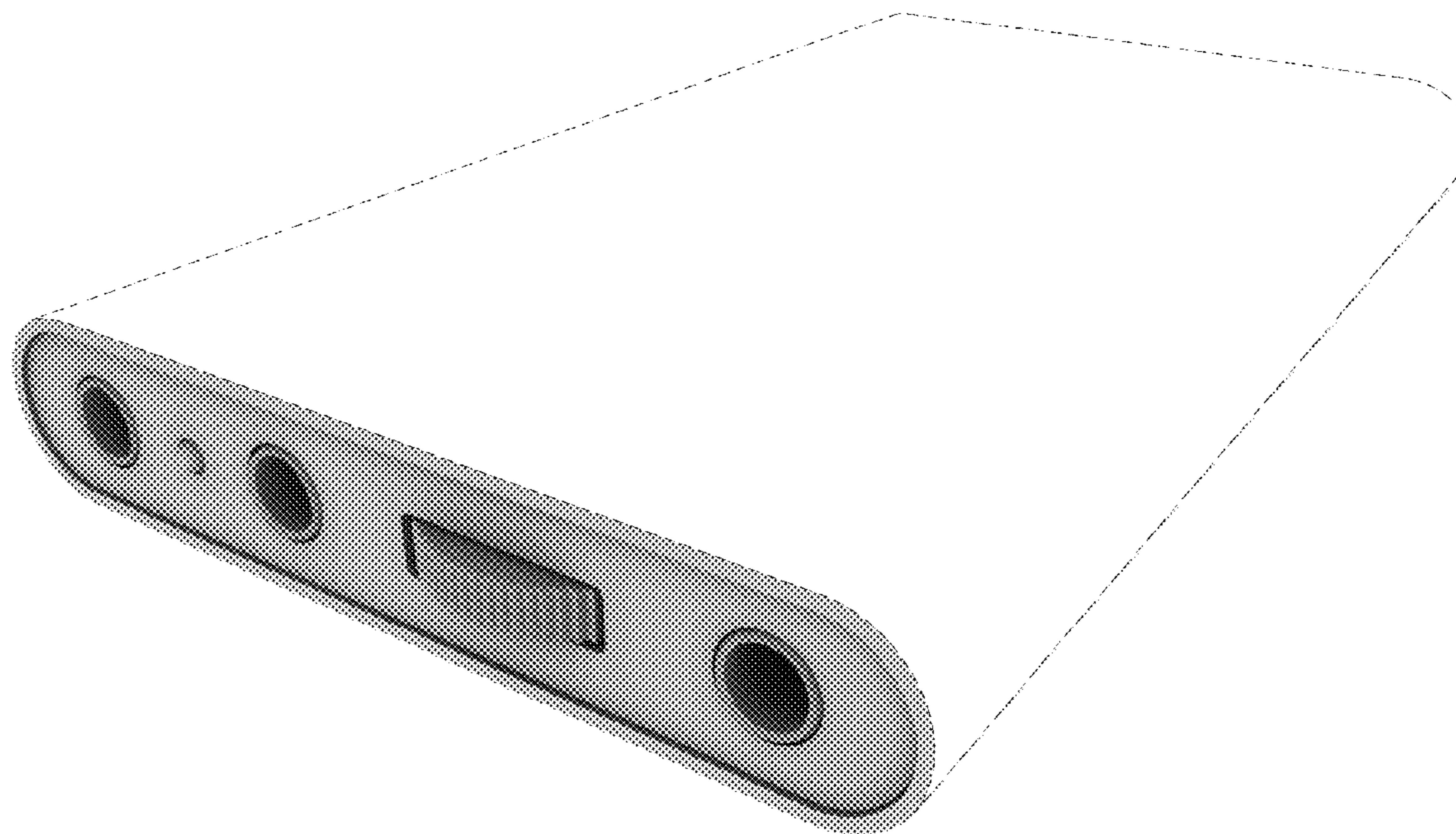
I claim the ornamental design for an audio amplifier faceplate, as shown and described.

DESCRIPTION

FIG. 1 is a perspective view of an audio amplifier faceplate showing my new design; and, FIG. 2 is a front view thereof.

The broken line showing of a housing is included for the purpose of illustrating environment and forms no part of the claimed design.

1 Claim, 1 Drawing Sheet



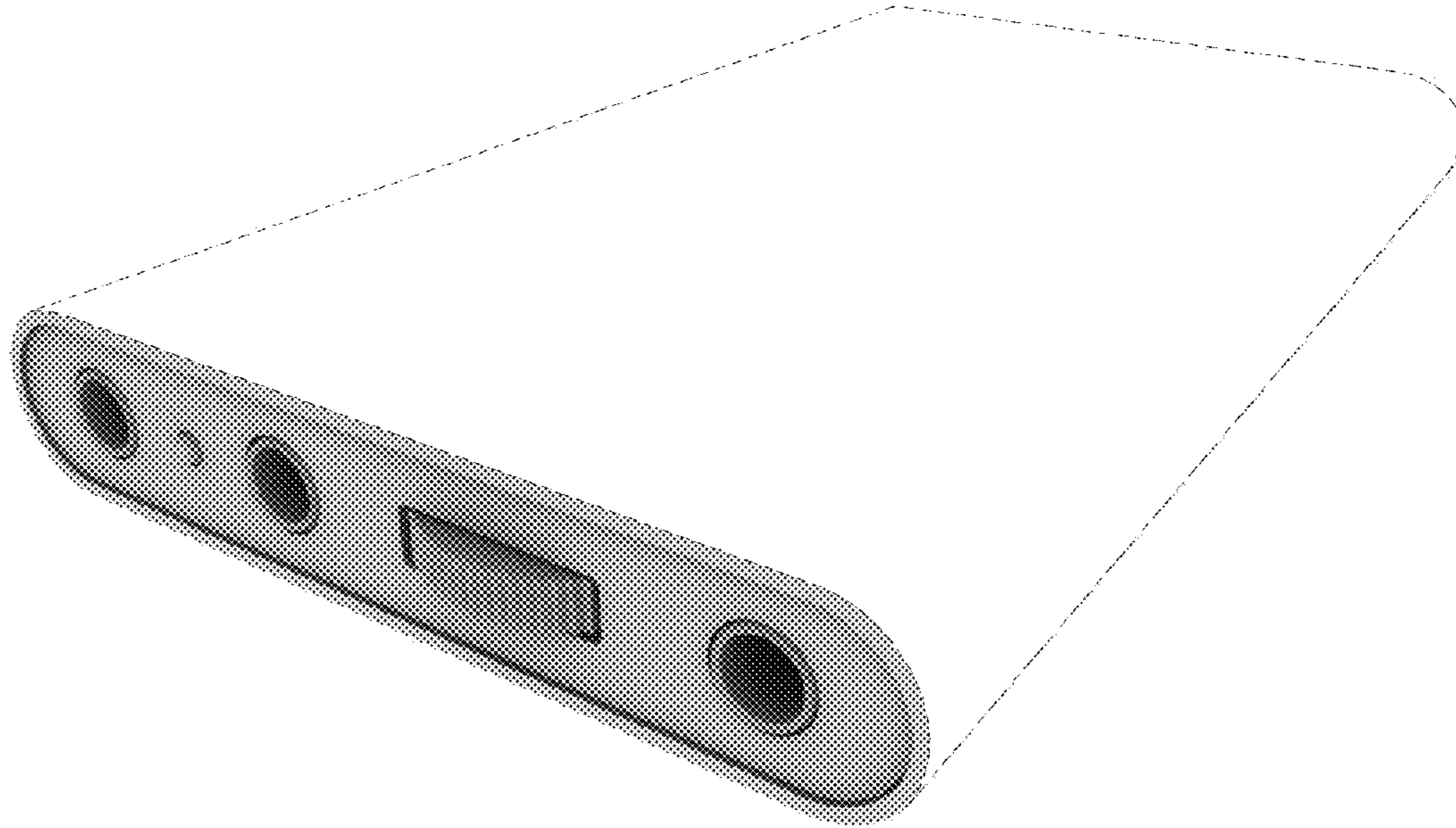


FIG. 1

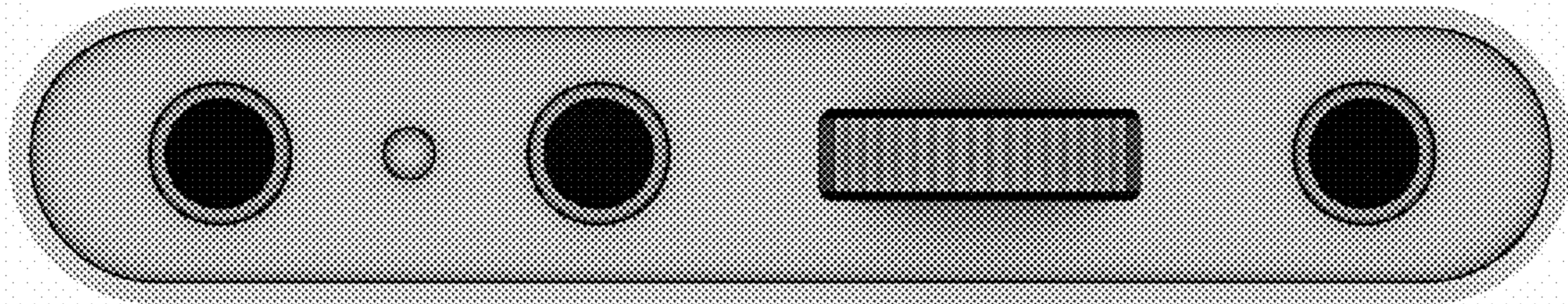


FIG. 2