



US00D645852S

(12) **United States Design Patent**
Nuovo et al.

(10) **Patent No.:** **US D645,852 S**

(45) **Date of Patent:** **** Sep. 27, 2011**

(54) **HANDSET REAR COVER**

(75) Inventors: **Frank Nuovo**, Los Angeles, CA (US);
Eduardo Salazar, Reseda, CA (US)

(73) Assignee: **Nokia Corporation**, Espoo (FI)

(**) Term: **14 Years**

(21) Appl. No.: **29/360,077**

(22) Filed: **Apr. 20, 2010**

(51) **LOC (9) Cl.** **14-03**

(52) **U.S. Cl.** **D14/250**

(58) **Field of Classification Search** D14/250,
D14/252, 253, 248, 249, 440, 203.7, 217,
D14/203.3, 203.4; D3/201, 218, 269; 220/4.02;
224/191, 241, 245; 379/426, 433.01; 455/575.1,
455/575.8
See application file for complete search history.

Nokia 5140, Nokia Corporation, 1 color sheet of photographs, disclosed on or about Q4 2003.

Nokia E61, Nokia Corporation, 1 color sheet of photographs, disclosed on or about Oct. 2005.

Nokia E63, Nokia Corporation, 1 color sheet of photographs, disclosed on or about Nov. 2008.

Nokia E71, Nokia Corporation, 1 color sheet of photographs, disclosed on or about Jun. 2008.

Nokia Vertu Ascent Ti, Nokia Corporation, 1 color sheet of photographs, disclosed on or about 2004.

Nokia Vertu Constellation, Nokia Corporation, 1 color sheet of photographs, disclosed on or about Oct. 2006.

Nokia Vertu Signature, Nokia Corporation, 1 color sheet of photographs, disclosed on or about 2003.

* cited by examiner

Primary Examiner — Cynthia M Chin

Assistant Examiner — Sheryl Lane

(74) *Attorney, Agent, or Firm* — Banner & Witcoff, Ltd.

(56) **References Cited**

U.S. PATENT DOCUMENTS

D459,346 S *	6/2002	Powell	D14/250
D465,483 S *	11/2002	Nuovo	D14/248
D481,695 S	11/2003	Sinclair		
D491,544 S	6/2004	Kolinen		
D501,454 S *	2/2005	Nuovo et al.	D14/138 AA
D522,988 S	6/2006	Sheu		
D564,482 S	3/2008	Rihu et al.		
D568,849 S	5/2008	Nuovo		
D576,139 S	9/2008	Rihu et al.		
7,444,173 B2 *	10/2008	Nuovo et al.	455/575.1
D599,788 S	9/2009	Nuovo		
D600,229 S	9/2009	Kangasmaa		
D601,529 S	10/2009	Rouger		
D603,855 S	11/2009	Nuovo et al.		
D603,856 S	11/2009	Nuovo et al.		
D604,203 S	11/2009	Nuovo et al.		
D604,282 S	11/2009	Nuovo et al.		
D605,186 S	12/2009	Nuovo et al.		
D605,618 S	12/2009	Nuovo et al.		
D608,319 S	1/2010	Nuovo		
D614,178 S	4/2010	Nuovo et al.		
D616,879 S *	6/2010	Kim et al.	D14/250

OTHER PUBLICATIONS

Nokia 5100, Nokia Corporation, 1 color sheet of photographs, disclosed on or about Q1 2003.

(57) **CLAIM**

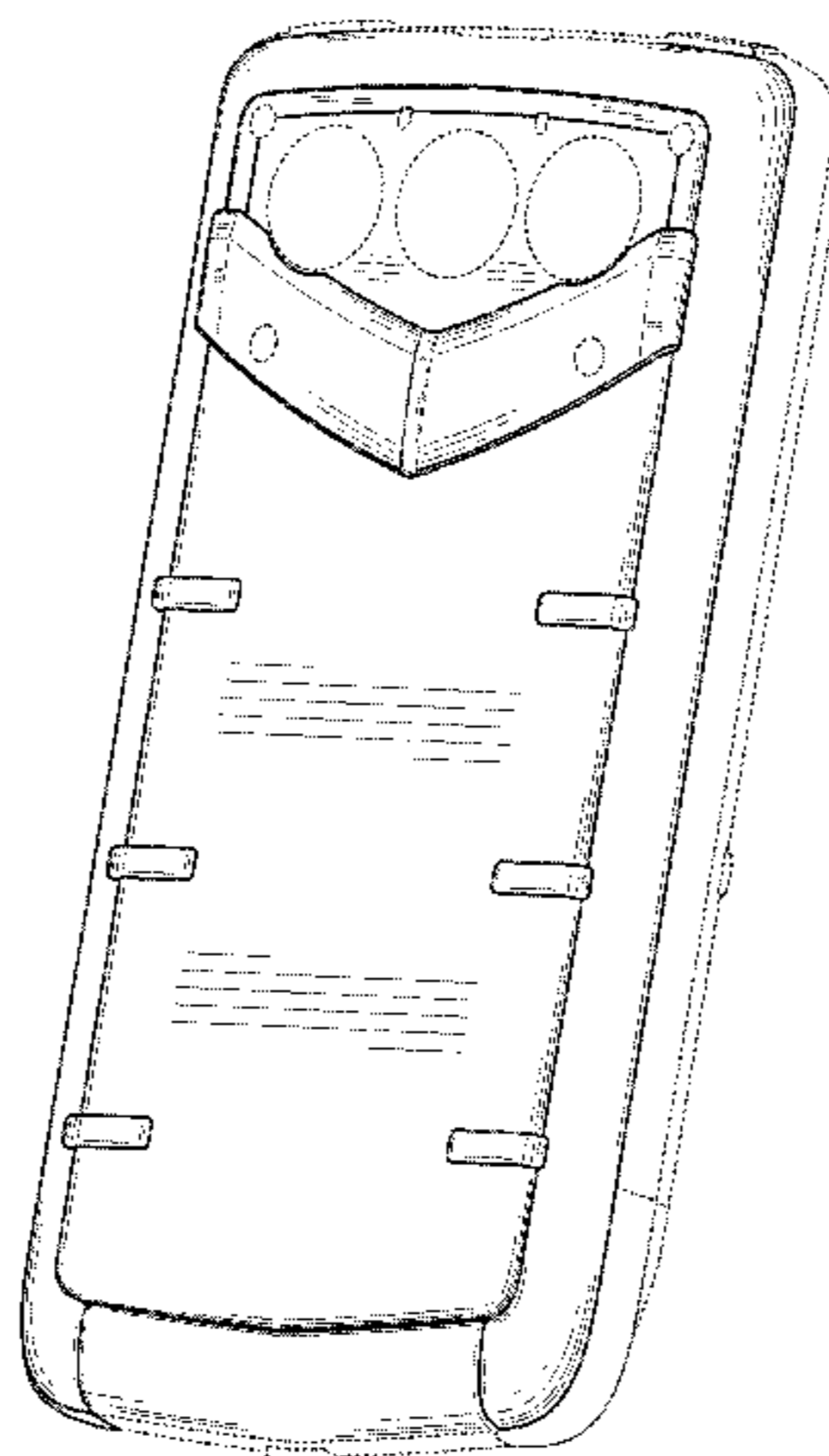
The ornamental design for a handset rear cover, as shown and described.

DESCRIPTION

FIG. 1 is a perspective front view of a handset rear cover showing our new design;
FIG. 2 is a front view thereof;
FIG. 3 is left side view thereof;
FIG. 4 is a right side view thereof;
FIG. 5 is a top view thereof; and,
FIG. 6 is a bottom view thereof.

The broken lines adjacent to the shaded region of the handset rear cover is included for the purpose of showing an unclaimed boundary and forms no part of the claimed design. The broken line showing of the handset rear cover is included for the purpose of showing environmental structure and forms no part of the claimed design.

1 Claim, 4 Drawing Sheets



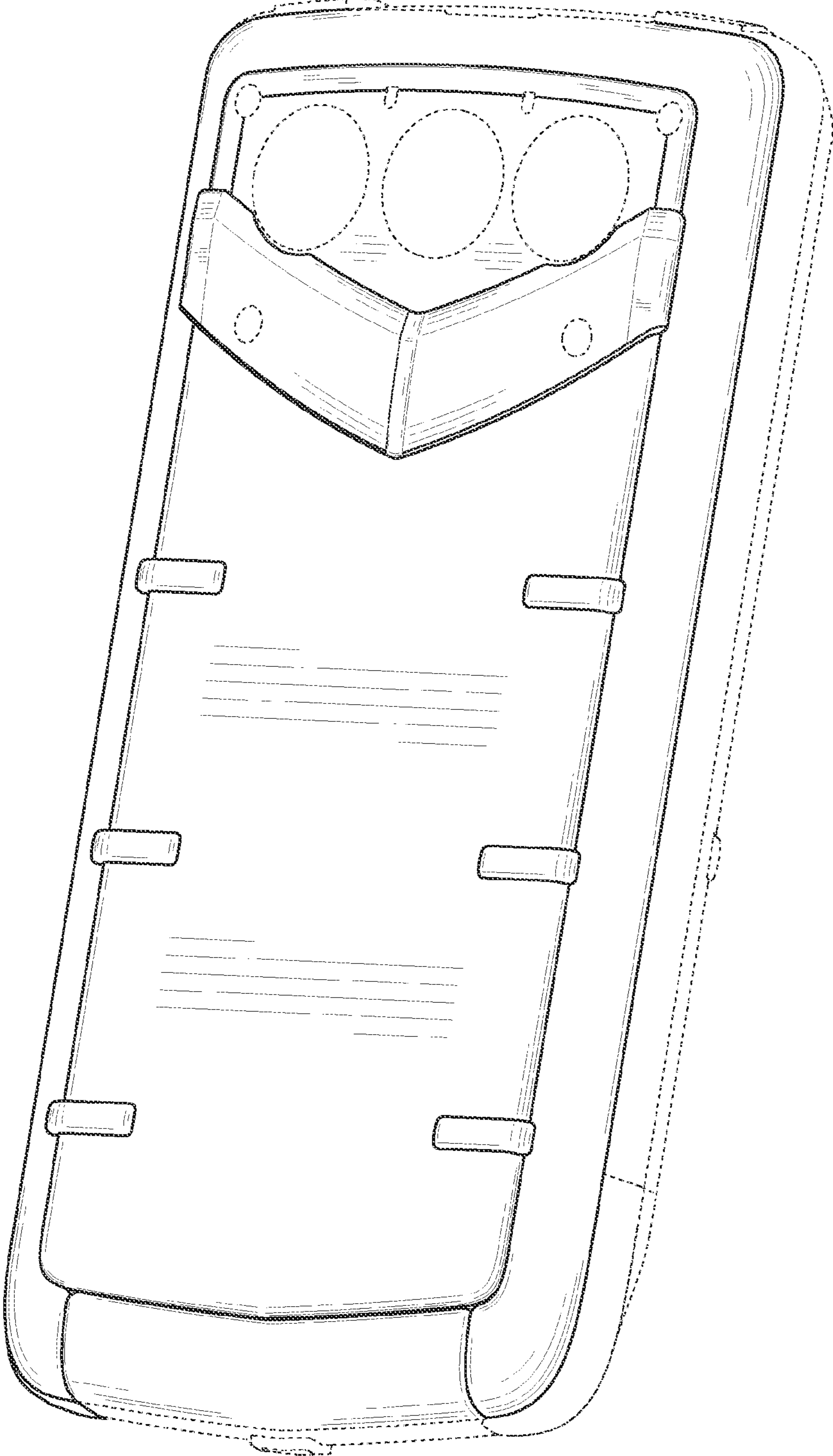


FIG. 1

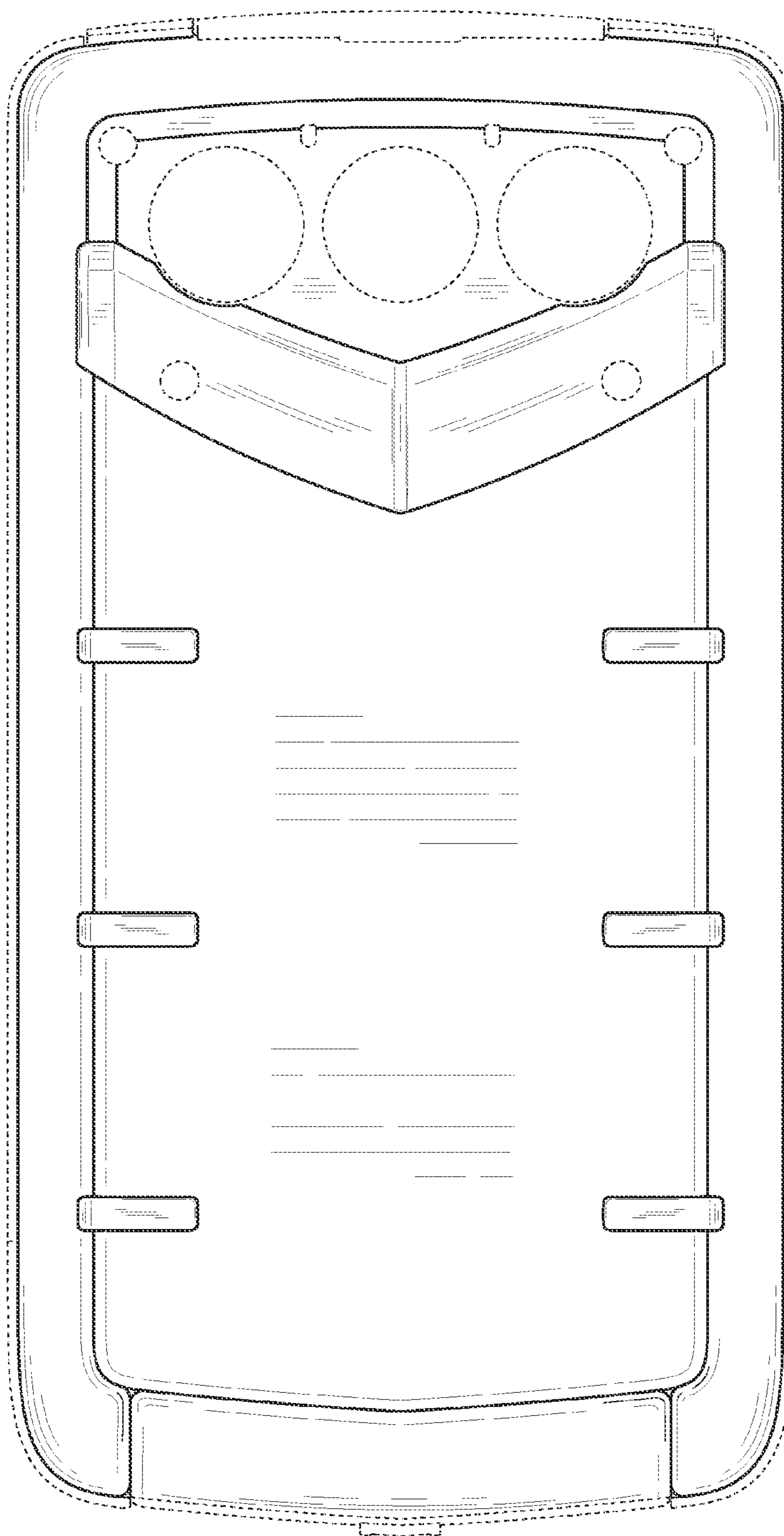


FIG. 2

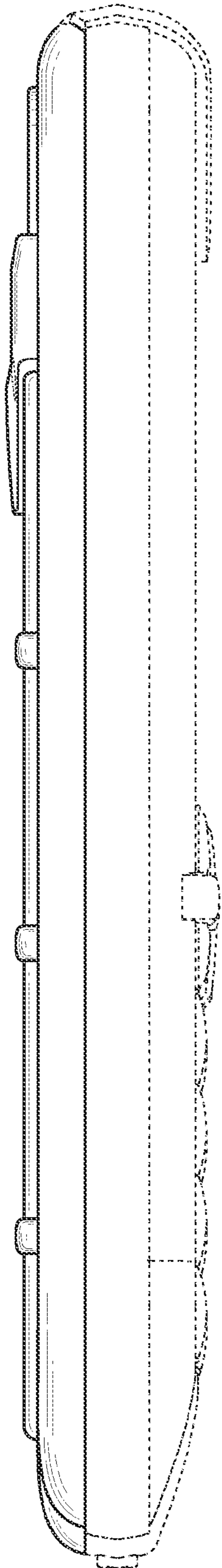


FIG. 3

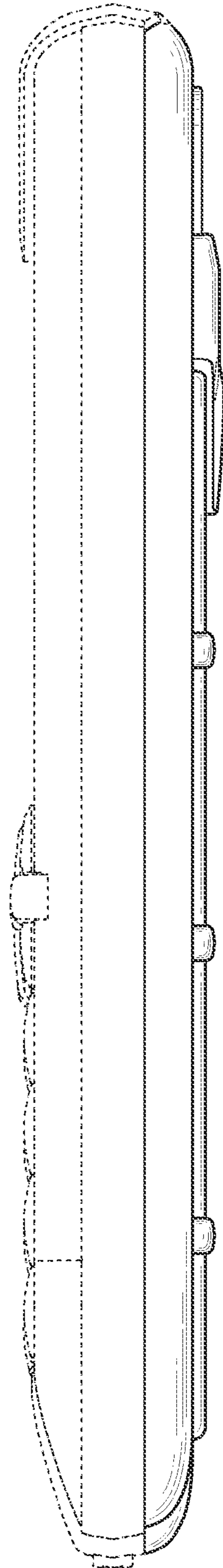


FIG. 4

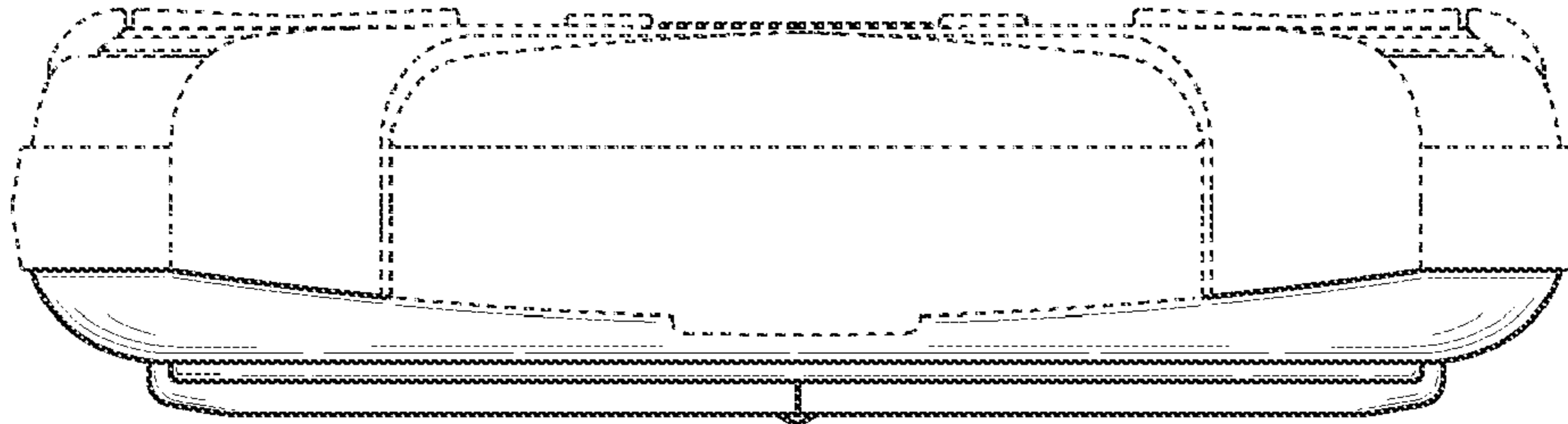


FIG. 5

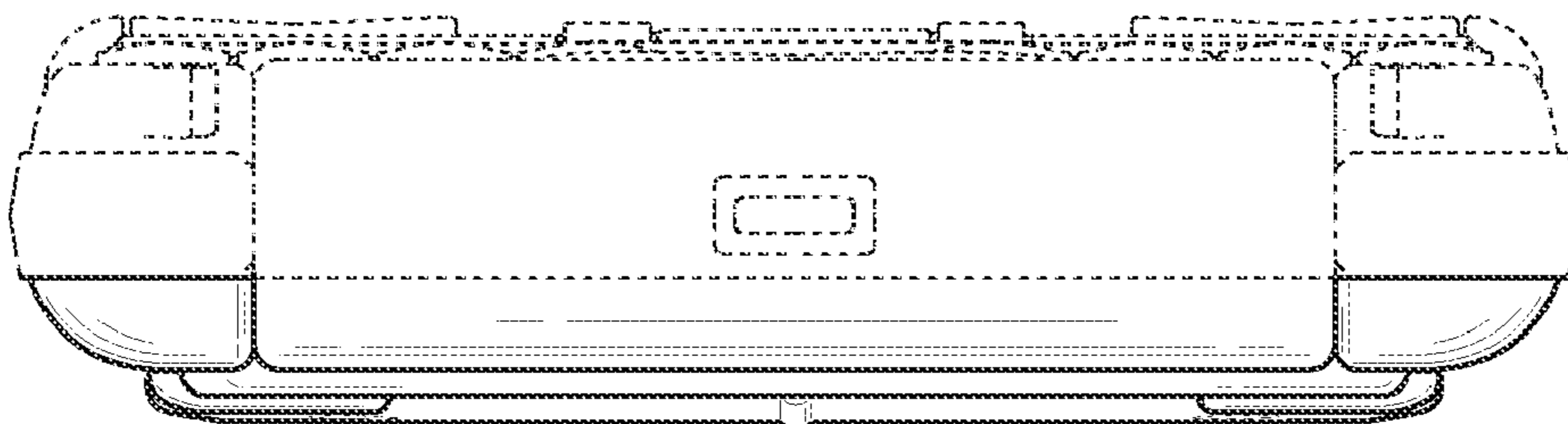


FIG. 6