



US00D645850S

(12) **United States Design Patent**  
**Lozano**

(10) **Patent No.:** **US D645,850 S**

(45) **Date of Patent:** **\*\* Sep. 27, 2011**

(54) **MOUNTING PANEL FOR AN AUDIO-VIDEO ASSEMBLY**

(76) Inventor: **Anthony Lozano**, San Jose, CA (US)

(\*\*) Term: **14 Years**

(21) Appl. No.: **29/377,142**

(22) Filed: **Oct. 18, 2010**

(51) **LOC (9) Cl.** ..... **14-03**

(52) **U.S. Cl.** ..... **D14/239**

(58) **Field of Classification Search** ..... D14/125-134,  
D14/239, 168, 188, 197, 198, 371, 374-377,  
D14/496-510; 312/7.1, 7.2; 348/836, 838,  
348/180, 184, 325, 739, 825, 827; 341/12;  
349/58; 720/600, 619, 646, 647, 655; 455/347-351;  
369/75.11, 75.21; D6/474-499, 407, 460,  
D6/461, 468; 248/465, 917-924, 123.11;  
600/41.12, 42, 49.1, 50, 85.2, 90.04, 187,  
600/190, 119.003, 134.153, 87.01, 71.01

See application file for complete search history.

(56) **References Cited**

U.S. PATENT DOCUMENTS

6,809,295	B1 *	10/2004	Vargas	.....	219/393
D517,838	S *	3/2006	Luong	.....	D6/477
D539,232	S	3/2007	Lozano		
D541,764	S	5/2007	Lozano		
D550,478	S *	9/2007	Glass et al.	.....	D6/436
D552,051	S	10/2007	Lozano		
7,472,971	B2 *	1/2009	Schmieder et al.	.....	312/223.3
D586,792	S	2/2009	Lozano		
D622,275	S	8/2010	Lozano		

2003/0102781 A1\* 6/2003 White et al. .... 312/7.2  
2006/0274486 A1\* 12/2006 Kim ..... 361/679  
2006/0284031 A1\* 12/2006 Whalen et al. .... 248/125.8

\* cited by examiner

*Primary Examiner* — Raphael Barkai

*Assistant Examiner* — Randall Gholson

(74) *Attorney, Agent, or Firm* — Jones, Tullar & Cooper, P.C.

(57) **CLAIM**

The ornamental design for a mounting panel for an audio-video assembly, as illustrated and described.

**DESCRIPTION**

FIG. 1 is a front perspective view of my new design for a mounting panel for an audio-video assembly;  
FIG. 2 is a front perspective view thereof;  
FIG. 3 is a rear perspective view thereof;  
FIG. 4 is a front elevational view thereof;  
FIG. 5 is a right side view thereof;  
FIG. 6 is a left side view thereof;  
FIG. 7 is a top plan view thereof;  
FIG. 8 is a bottom plan view thereof;  
FIG. 9 is a rear elevational view thereof;  
FIG. 10 is an exploded front perspective view thereof; and,  
FIG. 11 is an exploded rear perspective view thereof.  
The broken lines showing of a cabinet, a pivotable support arm and an audio-video assembly are included for purposes of illustrating environment and form no part of the claimed design.

**1 Claim, 8 Drawing Sheets**

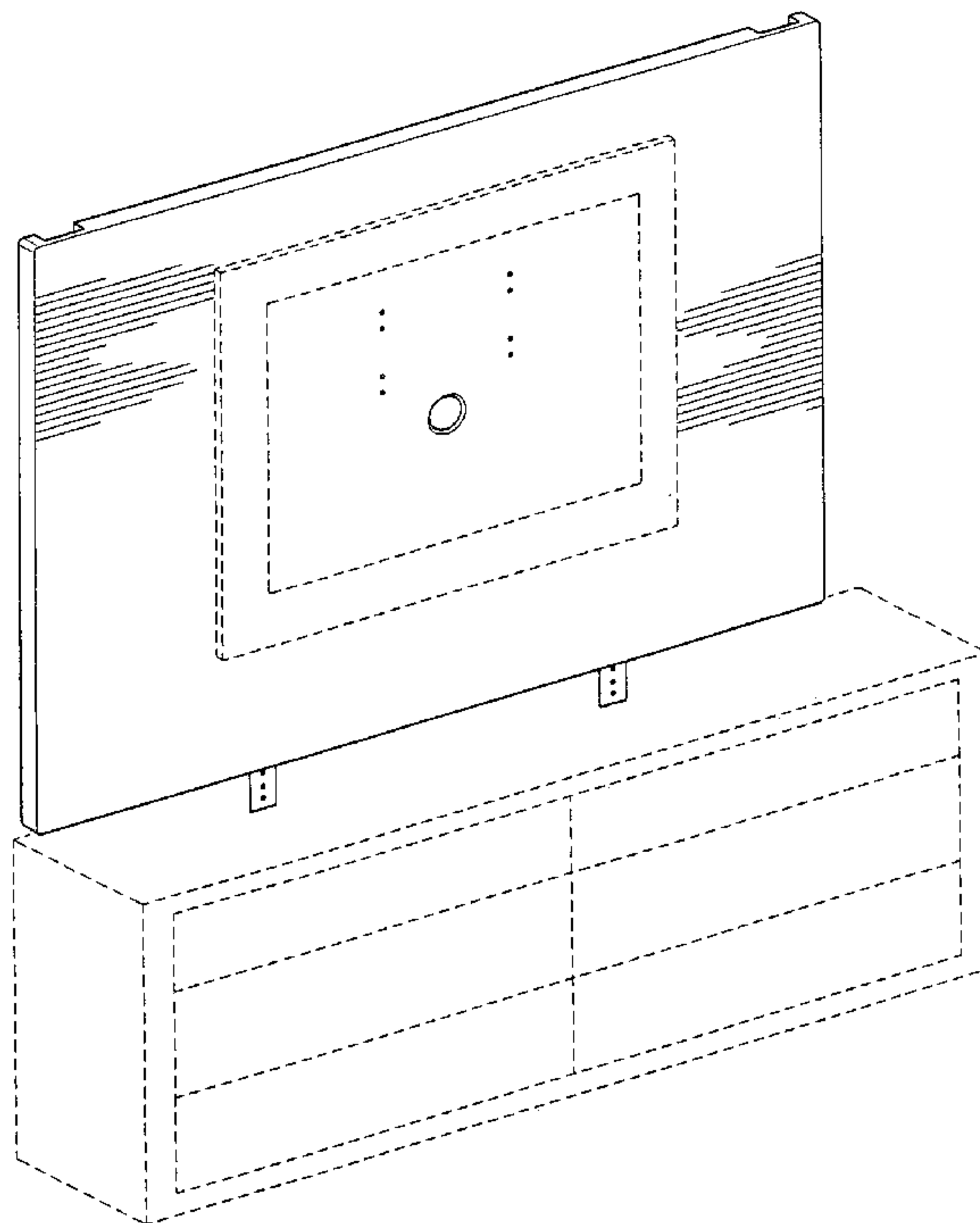
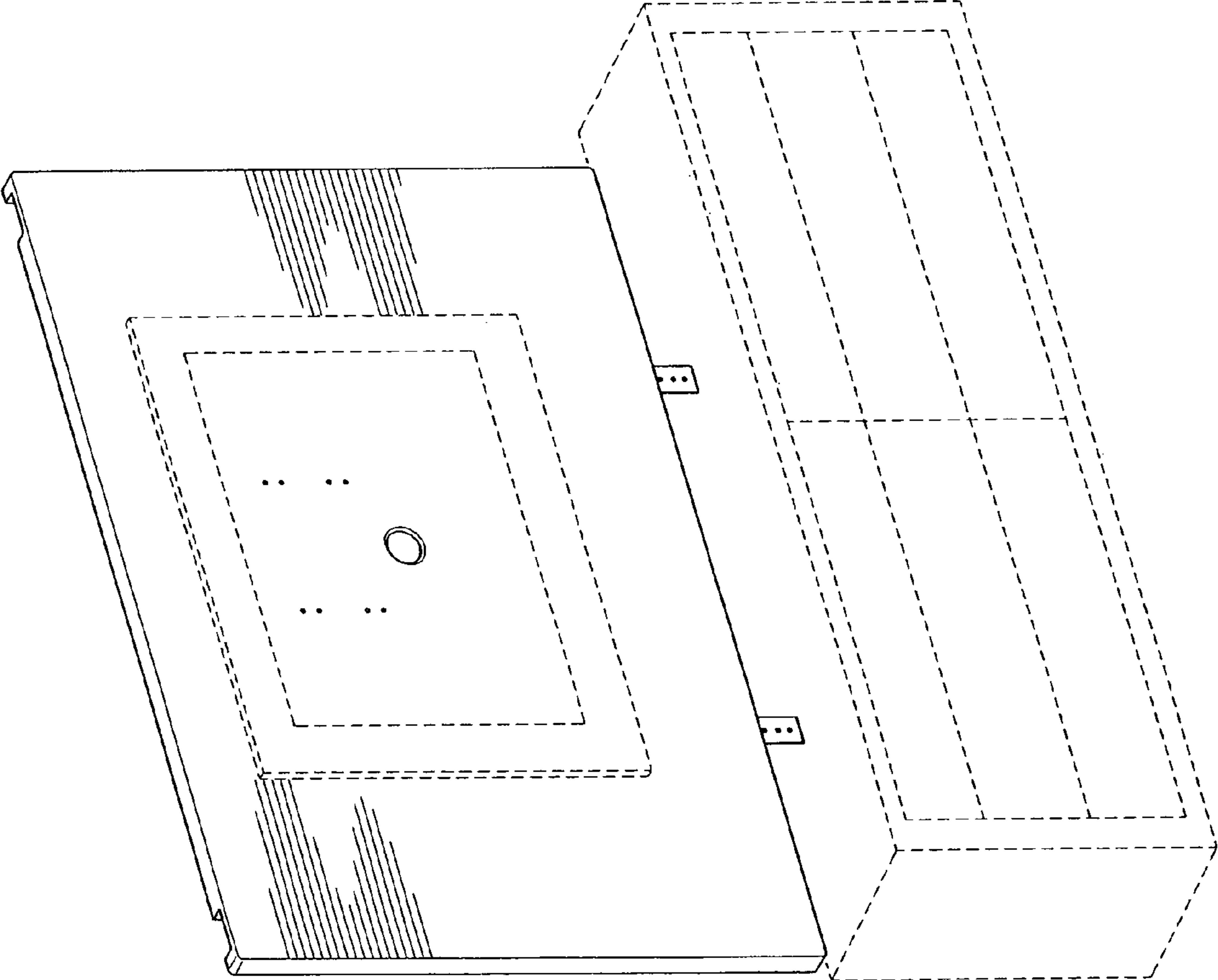


FIG. 1



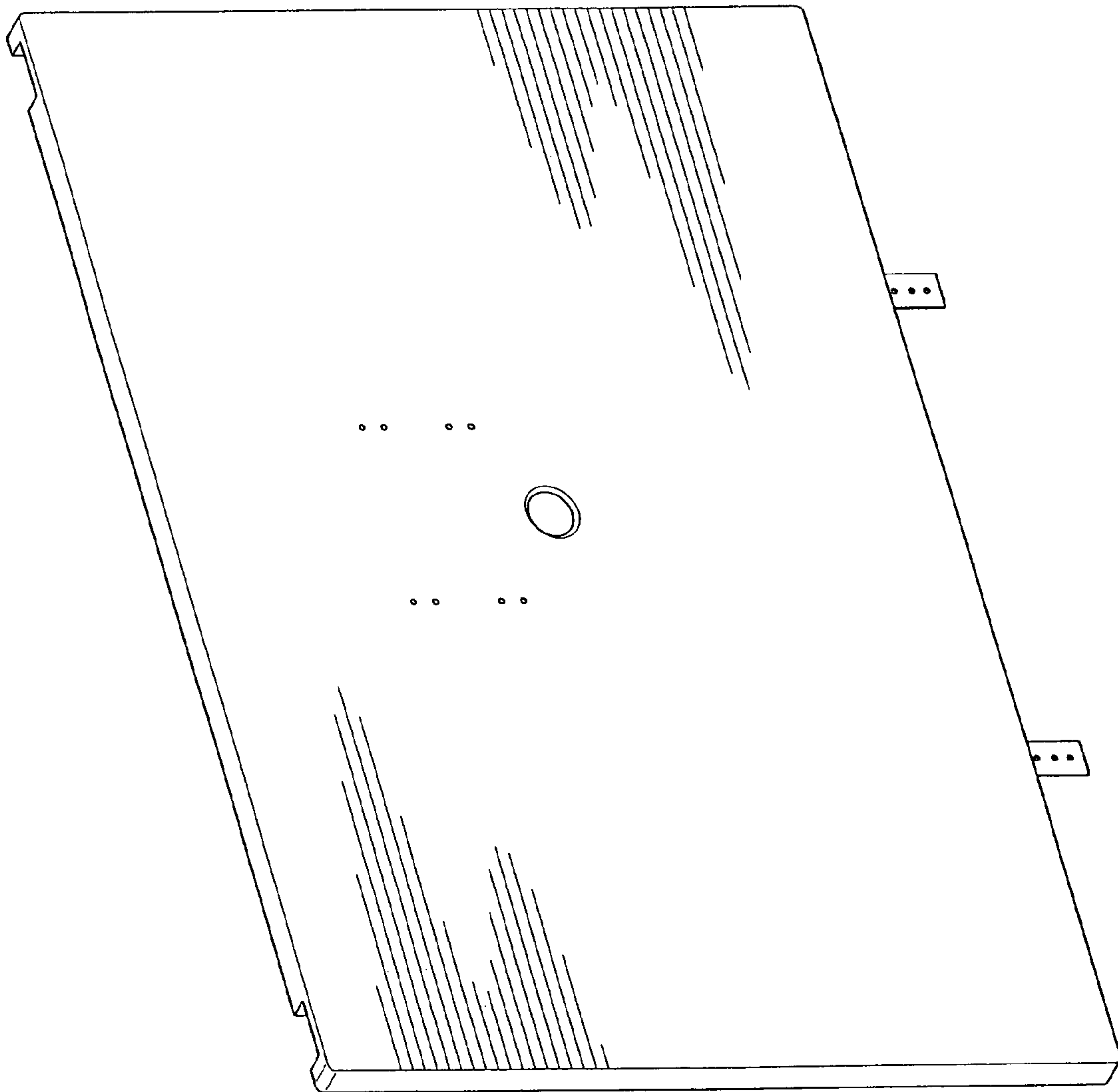


FIG. 2

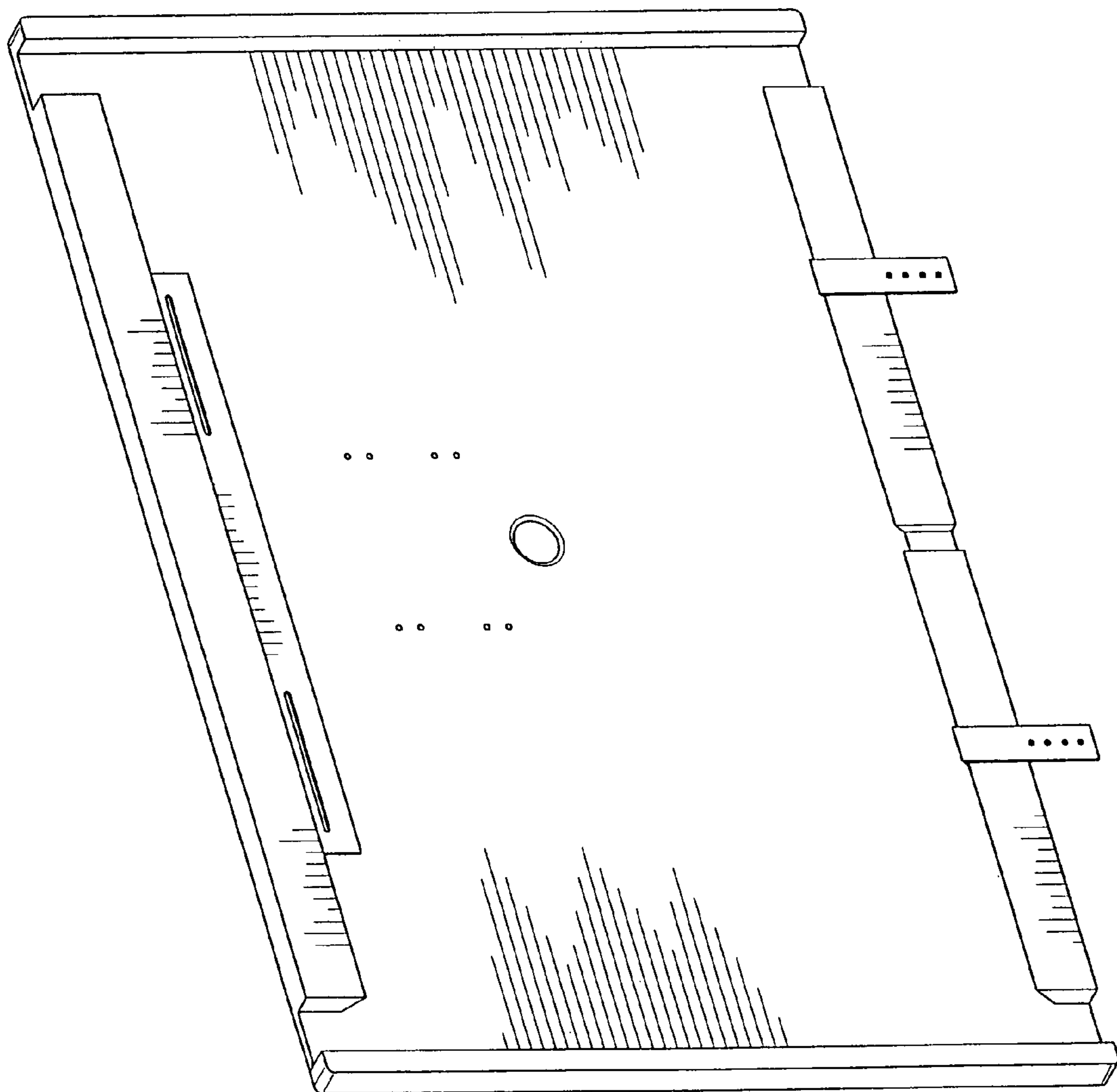


FIG. 3

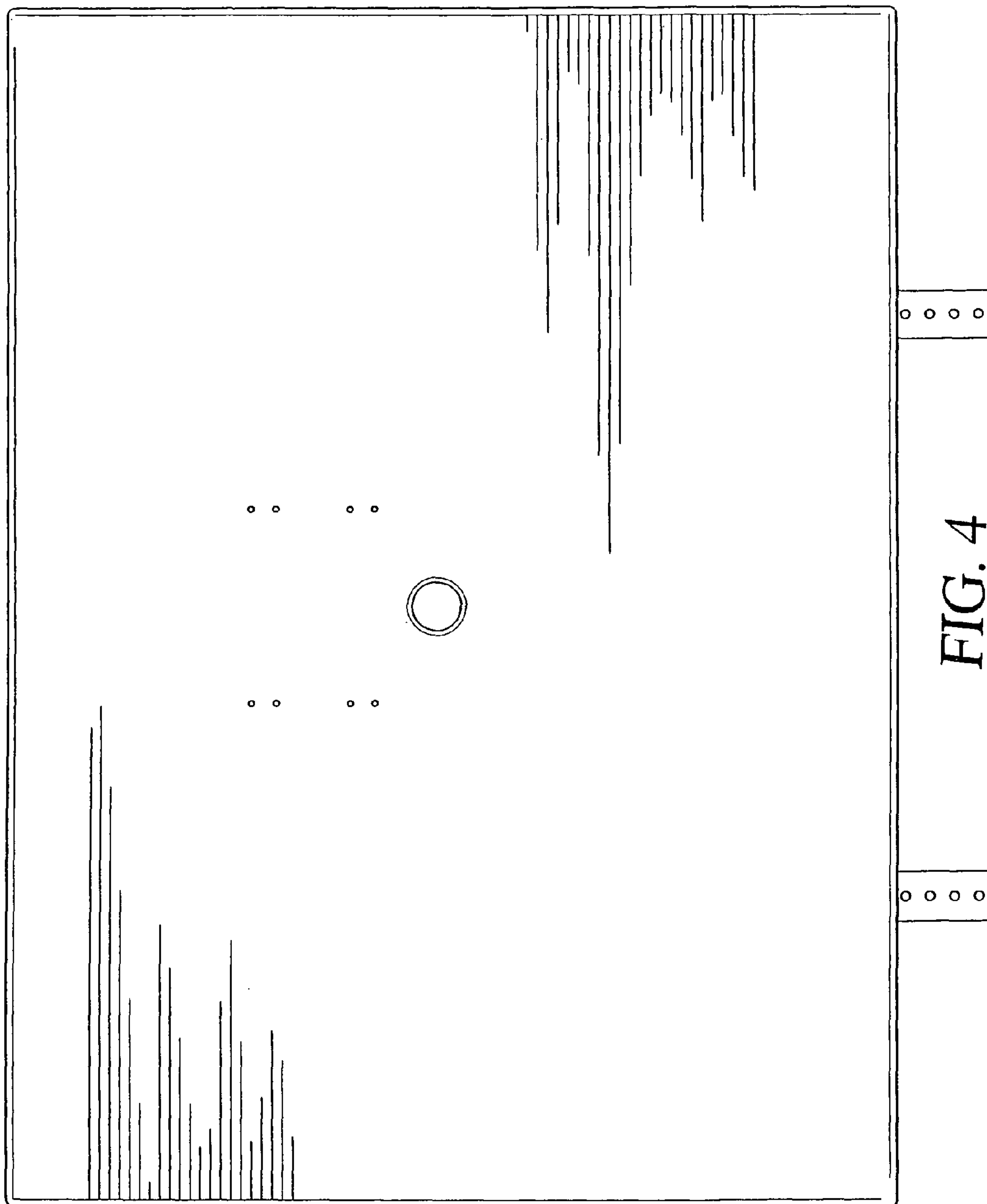


FIG. 4

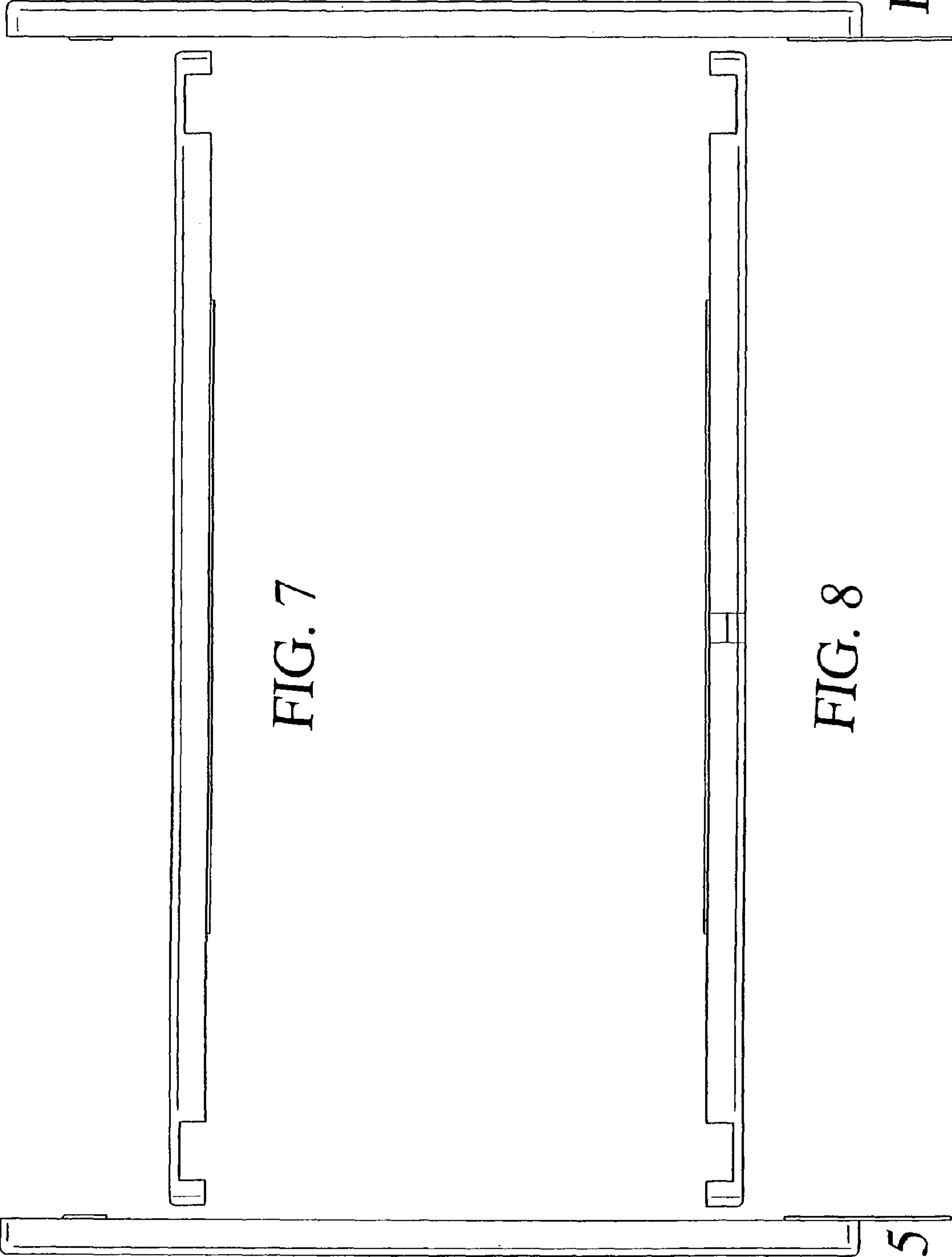


FIG. 7

FIG. 8

FIG. 5

FIG. 6

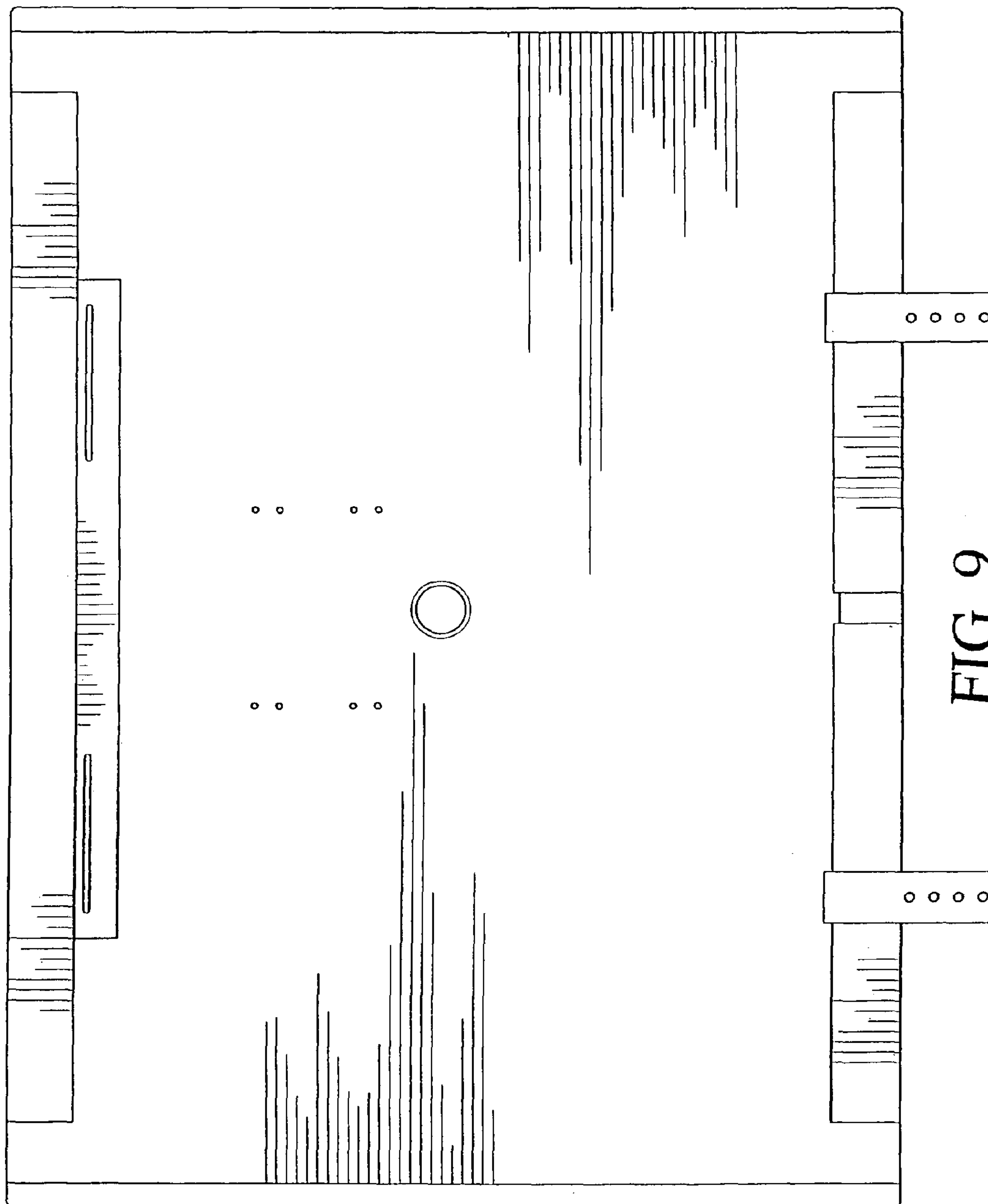


FIG. 9



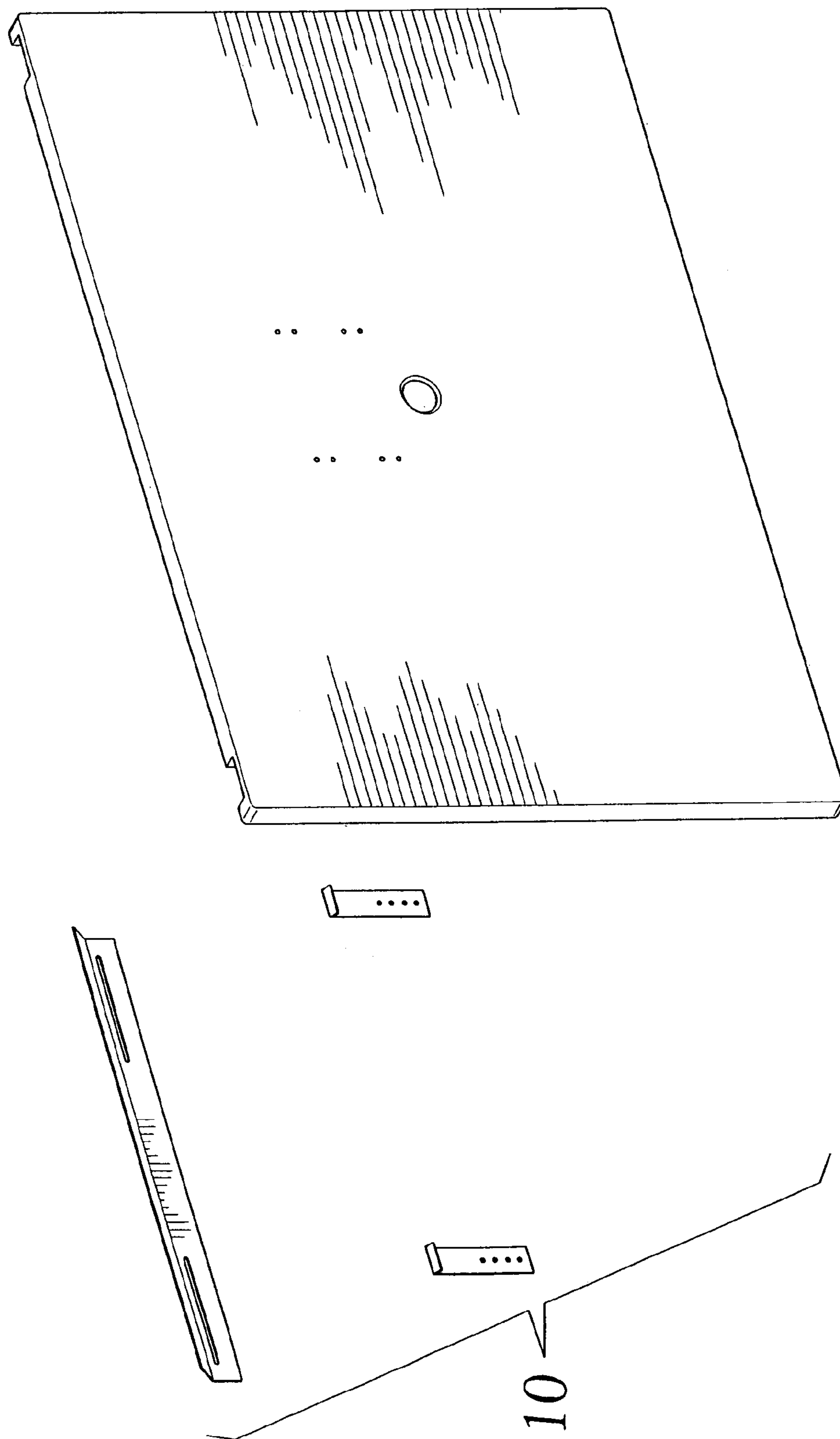


FIG. 10



FIG. 11

