



US00D645849S

(12) **United States Design Patent**
Kim et al.

(10) **Patent No.:** **US D645,849 S**

(45) **Date of Patent:** **** Sep. 27, 2011**

(54) **HEADSET FOR MOBILE PHONE**

(75) Inventors: **Hyun Ju Kim**, Seoul (KR); **Seung Don Lee**, Seoul (KR)

(73) Assignee: **LG Electronics Inc.**, Seoul (KR)

(**) Term: **14 Years**

(21) Appl. No.: **29/375,513**

(22) Filed: **Sep. 23, 2010**

(30) **Foreign Application Priority Data**

Mar. 23, 2010 (KR) 30-2010-0012579

(51) **LOC (9) Cl.** **14-01**

(52) **U.S. Cl.** **D14/223**

(58) **Field of Classification Search** D14/205,
D14/206, 223; 181/129, 130, 135; 379/430,
379/431, 420.02, 433.02; D24/174; 381/380,
381/381; 455/90.3, 569.1, 575.1

See application file for complete search history.

(56) **References Cited**

U.S. PATENT DOCUMENTS

7,079,664	B2 *	7/2006	Nassimi	381/380
7,197,348	B2 *	3/2007	Pan	455/575.8
D566,103	S *	4/2008	Sade et al.	D14/223
D566,108	S *	4/2008	Kan	D14/223
D575,277	S *	8/2008	Gaarde et al.	D14/223
D581,396	S *	11/2008	Wikel et al.	D14/206
D582,897	S *	12/2008	Christopher et al.	D14/223
D585,430	S *	1/2009	Kim et al.	D14/223
D595,273	S *	6/2009	Kim et al.	D14/223
D602,007	S *	10/2009	Lee et al.	D14/223
D602,476	S *	10/2009	Lee et al.	D14/223
D603,378	S *	11/2009	Paradise	D14/223

D606,050	S *	12/2009	Nousiainen	D14/223
D609,695	S *	2/2010	Cigliano et al.	D14/205
7,664,287	B2 *	2/2010	Neu et al.	381/381
D618,221	S *	6/2010	Fahrendorff et al.	D14/223
D619,998	S *	7/2010	Birger	D14/223
D622,266	S *	8/2010	Tzeng et al.	D14/223
D625,712	S *	10/2010	Yang	D14/223
D625,713	S *	10/2010	Yang	D14/223
D626,947	S *	11/2010	Lee et al.	D14/223
D627,335	S *	11/2010	Hou	D14/223
D628,194	S *	11/2010	Koch	D14/223
D628,989	S *	12/2010	Lee et al.	D14/223
D630,620	S *	1/2011	Lee et al.	D14/223
D630,622	S *	1/2011	Lee et al.	D14/223

* cited by examiner

Primary Examiner — Paula Greene

(74) *Attorney, Agent, or Firm* — Morgan, Lewis & Bockius LLP

(57) **CLAIM**

The ornamental design for a headset for mobile phone, as shown and described.

DESCRIPTION

FIG. 1 is a perspective view of a headset for mobile phone showing our new design, shown separately for purposes of illustration;

FIG. 2 is a front view thereof;

FIG. 3 is a rear view thereof;

FIG. 4 is a left side view thereof;

FIG. 5 is a right side view thereof;

FIG. 6 is a top plan view thereof;

FIG. 7 is a bottom plan view thereof; and,

FIG. 8 is a perspective view showing the state in which an ear hook has been attached thereto.

1 Claim, 8 Drawing Sheets

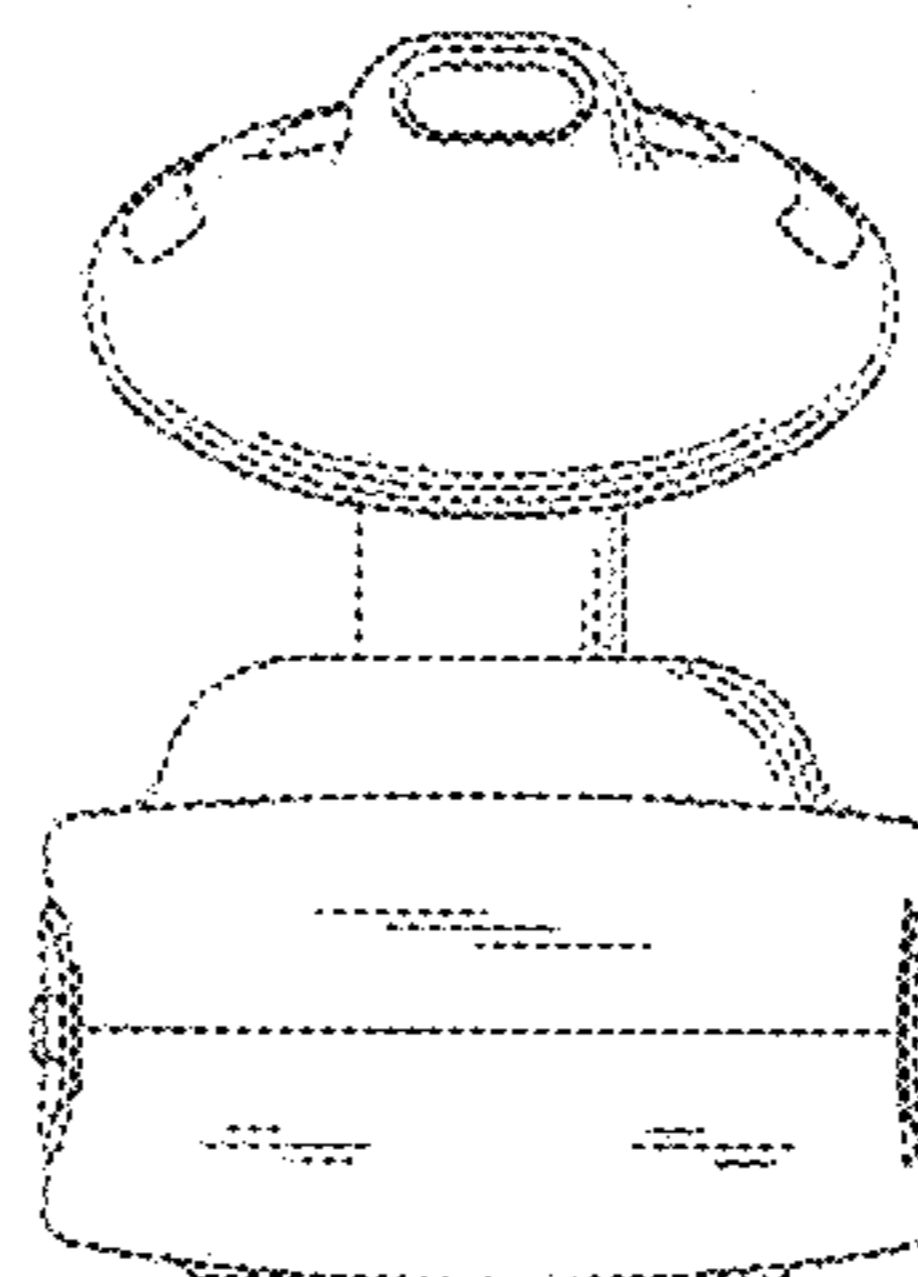
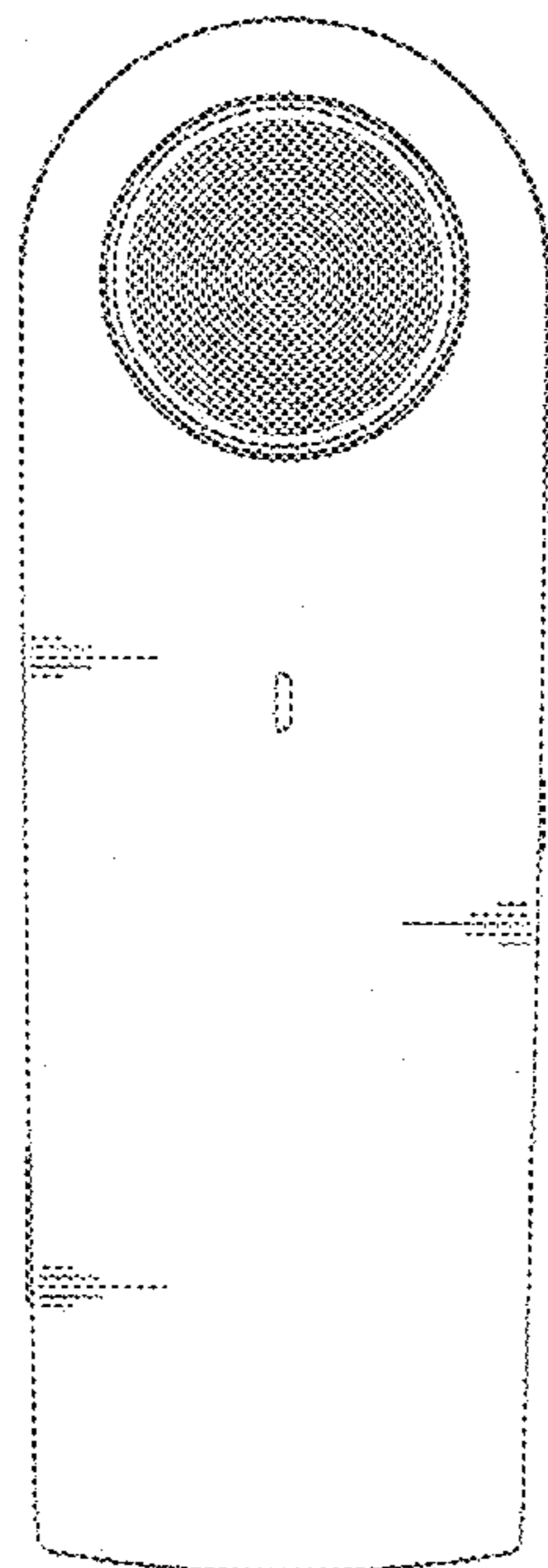


FIG. 1

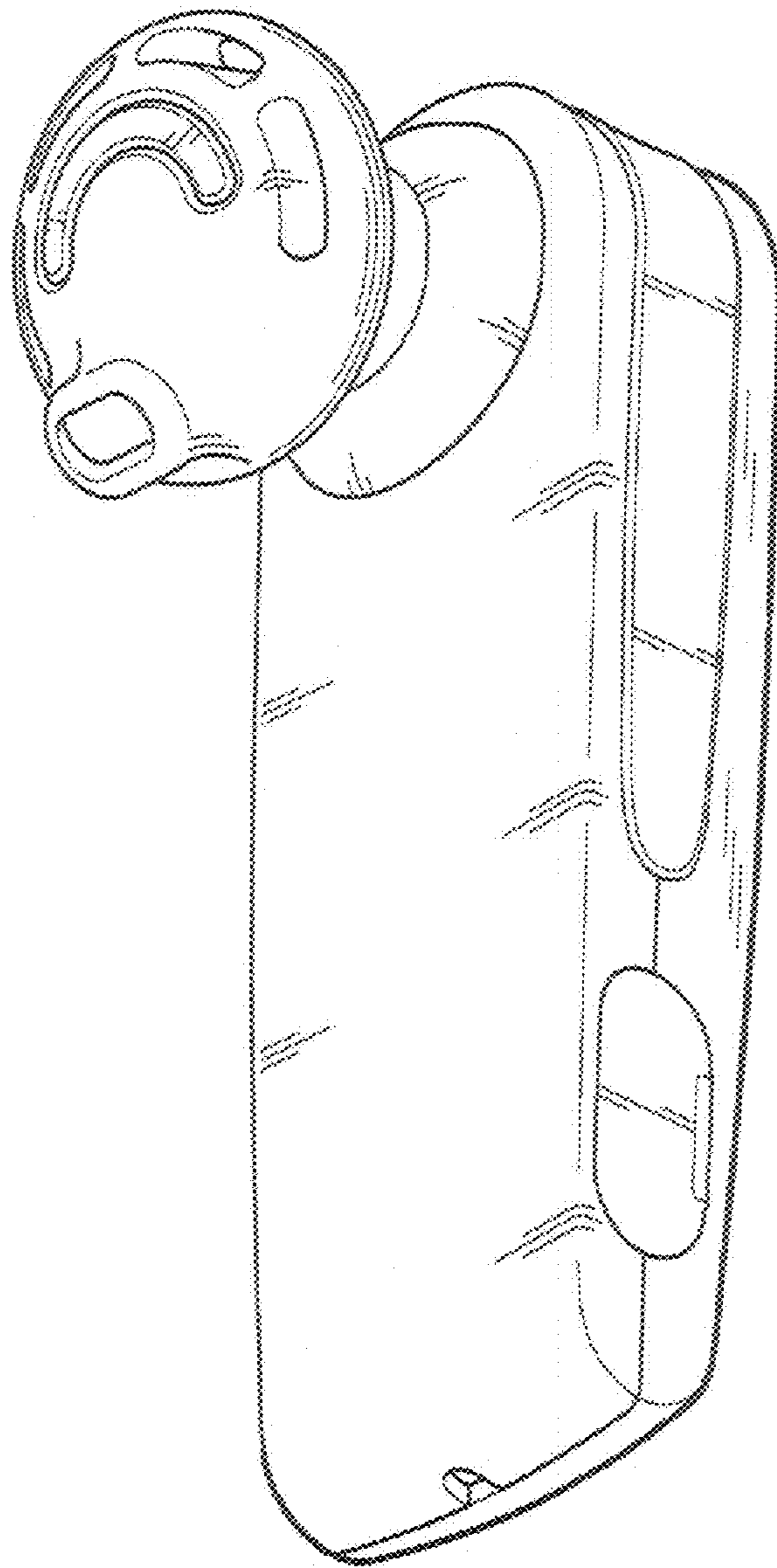


FIG. 2

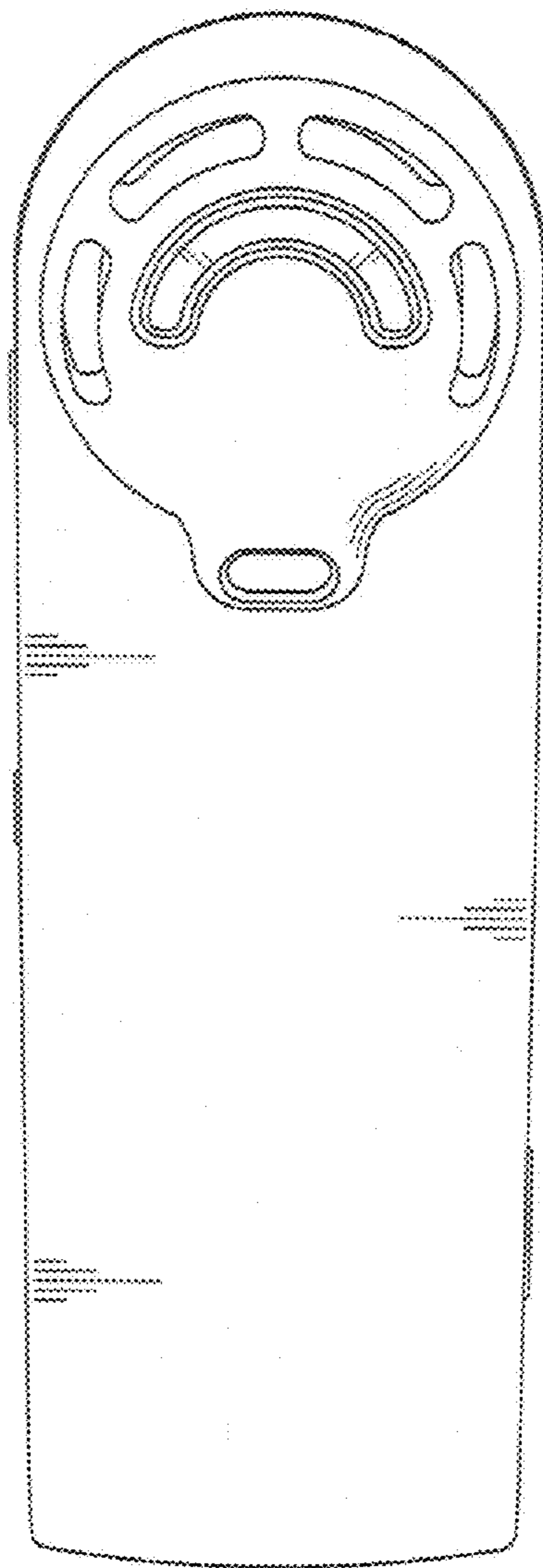


FIG. 3

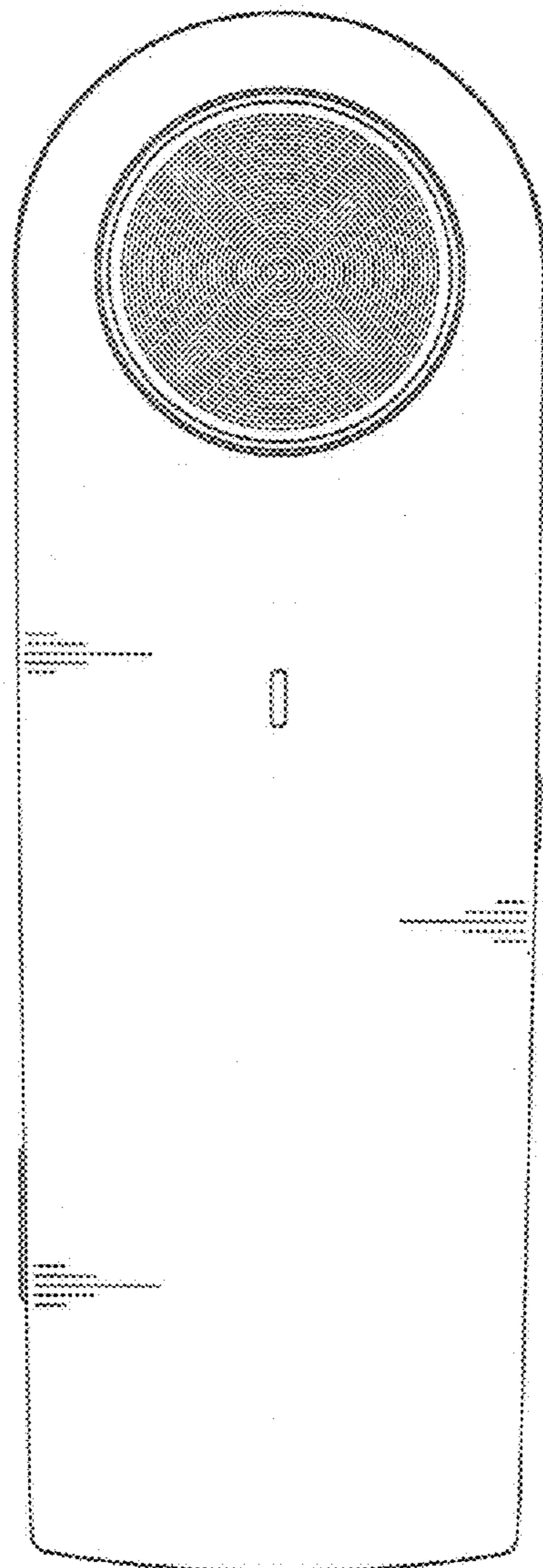


FIG. 4

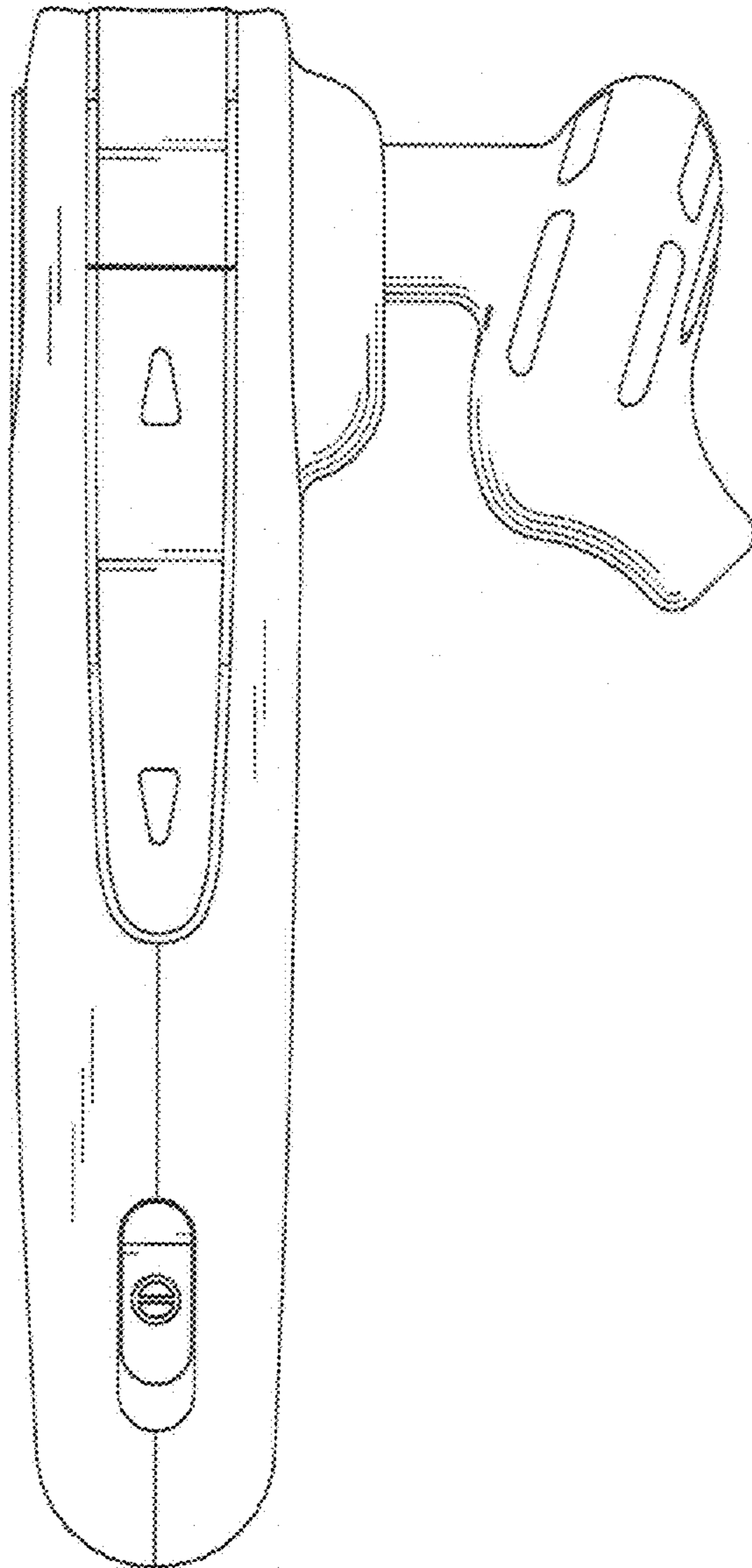


FIG. 5

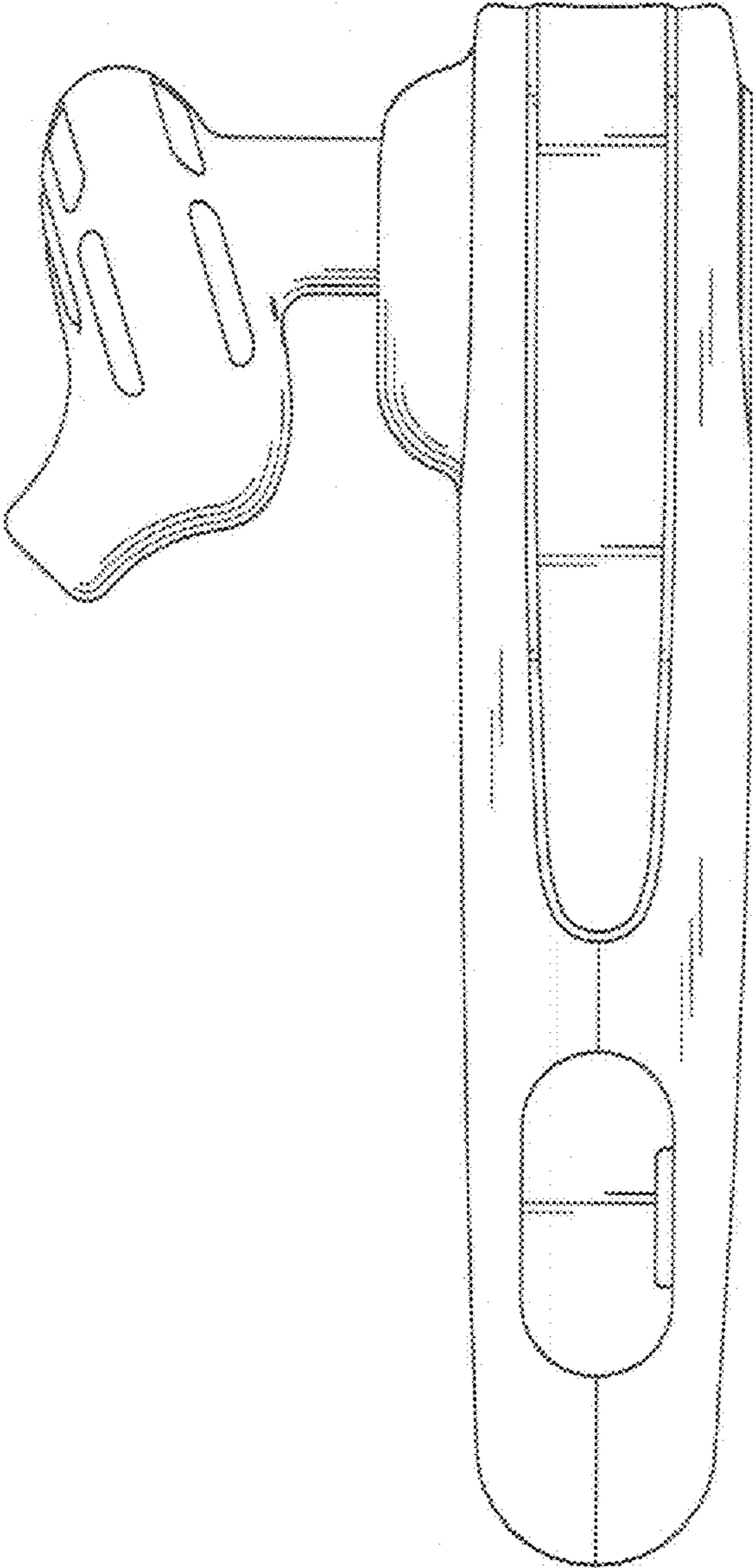


FIG. 6

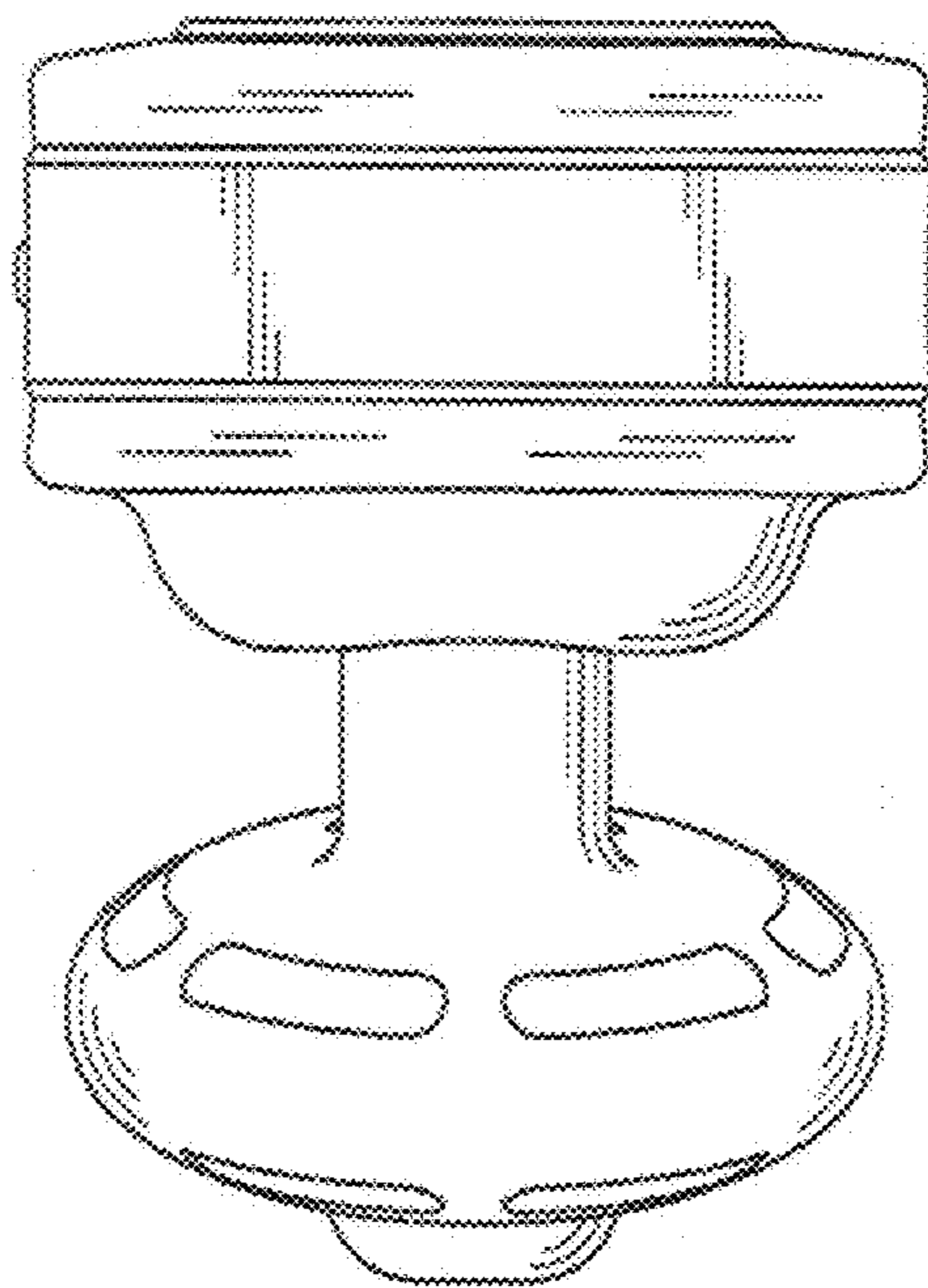


FIG. 7

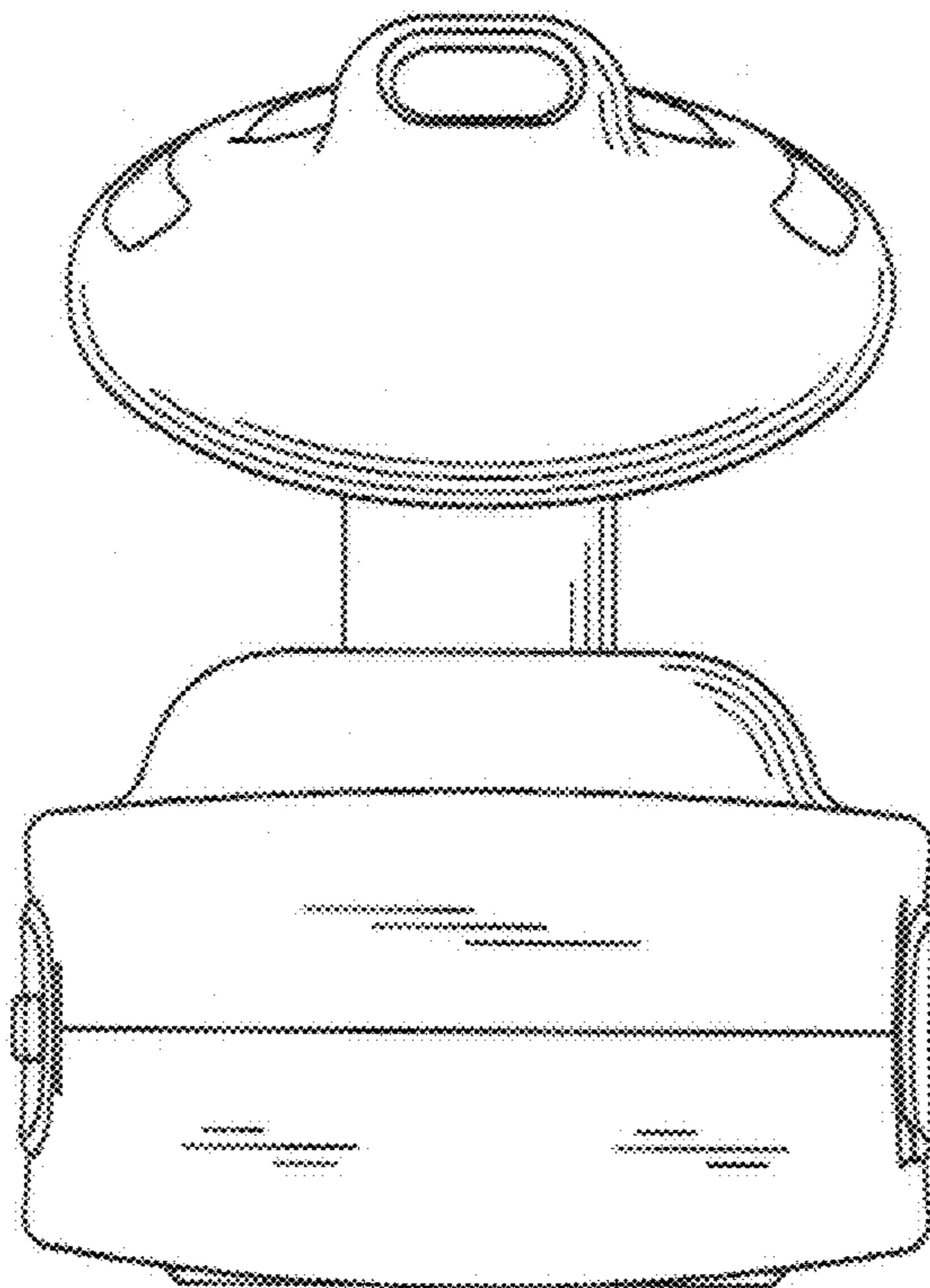


FIG. 8

