



US00D645847S

(12) **United States Design Patent**  
**Chau**

(10) **Patent No.:** **US D645,847 S**

(45) **Date of Patent:** **\*\* Sep. 27, 2011**

(54) **MUSIC DOCK**

(75) Inventor: **Kin Wang Chau**, Kowloon (HK)

(73) Assignee: **Imusictech Limited**, Shatin, New Territories (HK)

(\*\*) Term: **14 Years**

(21) Appl. No.: **29/382,347**

(22) Filed: **Jan. 3, 2011**

(30) **Foreign Application Priority Data**

Sep. 2, 2010 (HK) ..... 1001582.6

(51) **LOC (9) Cl.** ..... **14-03**

(52) **U.S. Cl.** ..... **D14/217; D14/209.1; D14/434; D13/108**

(58) **Field of Classification Search** ..... D14/140, D14/142, 149, 155, 157, 188, 191-193, 203.1-203.8, D14/217, 240, 243, 251, 253, 432-435.1, D14/447, 451, 496, 474, 480.1-480.7; D13/107, D13/118; D3/218; 248/221.11, 309.1; 320/107, 320/110, 113-115; 361/600; 439/529, 534; 455/556.1-556.2, 557

See application file for complete search history.

(56) **References Cited**

**U.S. PATENT DOCUMENTS**

D420,989 S \* 2/2000 Sandhu et al. .... D14/447  
D471,906 S \* 3/2003 Salazar et al. .... D13/108

D508,916 S \* 8/2005 Lee ..... D14/447  
D515,062 S \* 2/2006 Winebrenner et al. .... D13/108  
D540,816 S \* 4/2007 Kim ..... D14/496  
D554,115 S \* 10/2007 Liu et al. .... D13/108  
D554,116 S \* 10/2007 Liu et al. .... D13/108  
D570,836 S \* 6/2008 Chen ..... D14/253  
D593,988 S \* 6/2009 Liu et al. .... D14/149  
D596,561 S \* 7/2009 Chon et al. .... D13/108  
D608,351 S \* 1/2010 Song ..... D14/217  
D624,919 S \* 10/2010 Bull ..... D14/434  
D627,785 S \* 11/2010 Bouthillier ..... D14/434  
D635,918 S \* 4/2011 Le et al. .... D13/108

\* cited by examiner

*Primary Examiner* — Prabhakar Deshmukh

*Assistant Examiner* — Keli L Hill

(74) *Attorney, Agent, or Firm* — Egbert Law Offices PLLC

(57) **CLAIM**

The ornamental design for a music dock, as shown and described.

**DESCRIPTION**

FIG. 1 is a front elevation view of the music dock showing my design.

FIG. 2 is back elevation view thereof;

FIG. 3 is a side elevation view thereof;

FIG. 4 is an opposite side elevation view thereof;

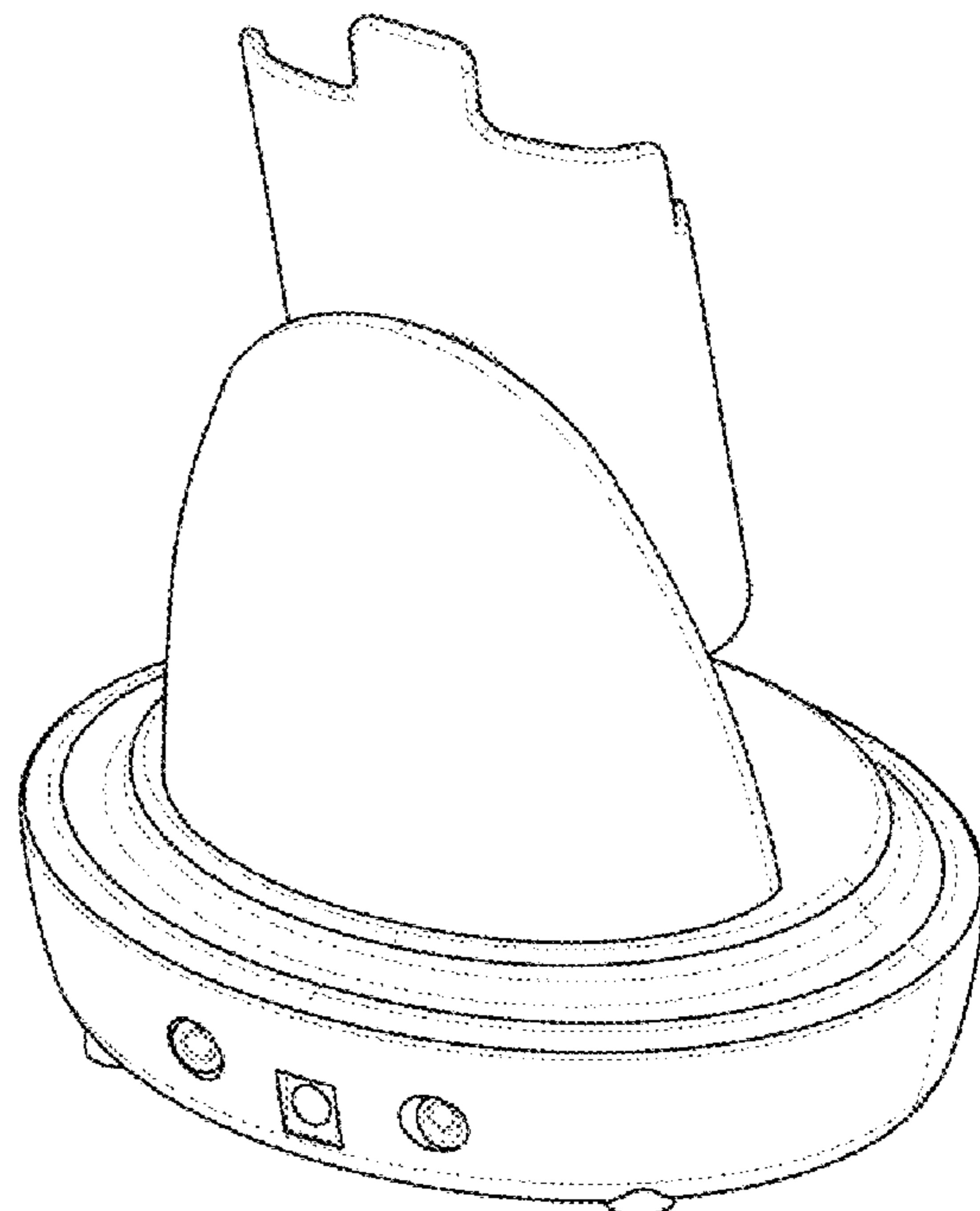
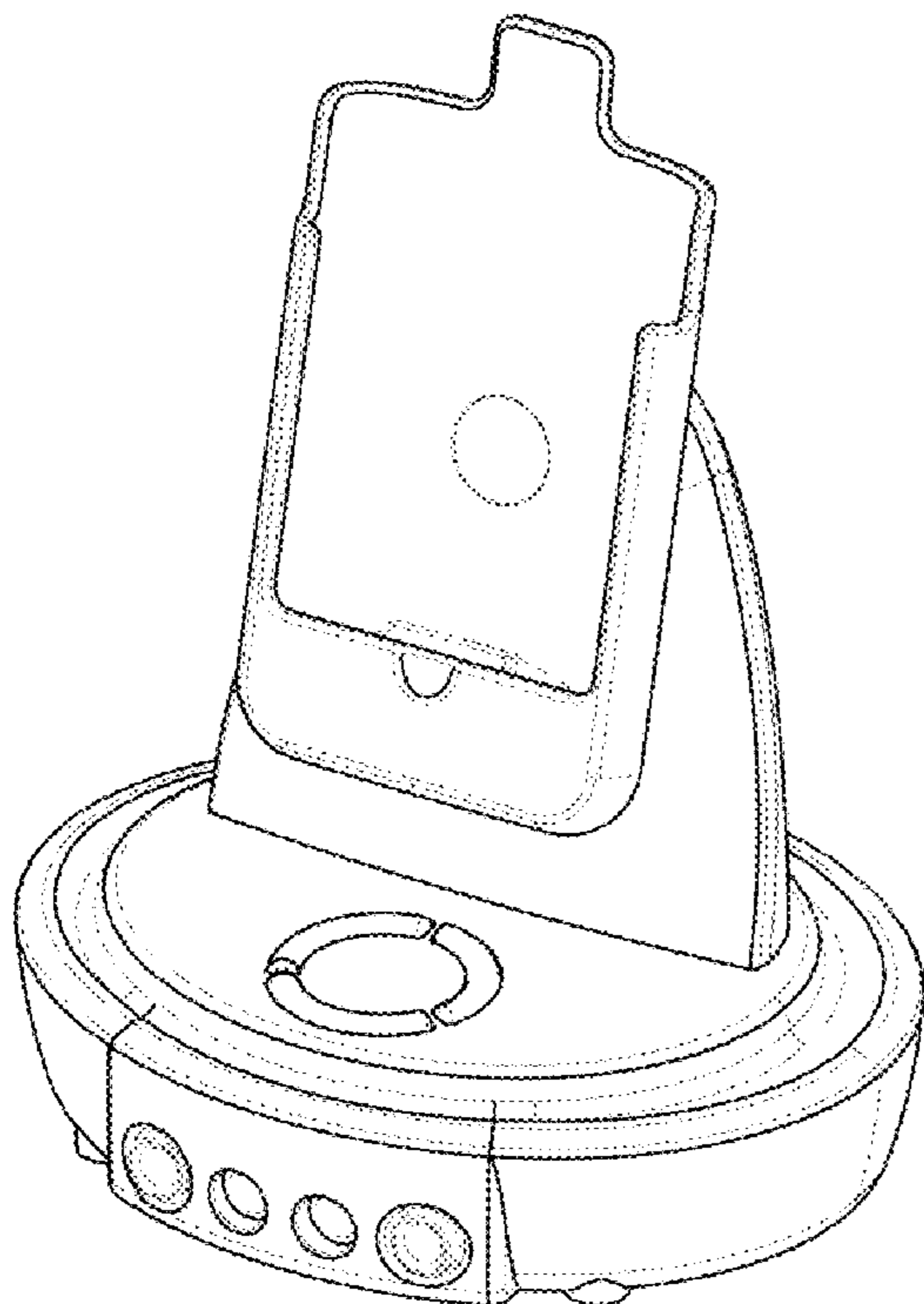
FIG. 5 is a bottom plan view thereof;

FIG. 6 is a top plan view thereof;

FIG. 7 is a front upper perspective view thereof; and,

FIG. 8 is a rear upper perspective view thereof.

**1 Claim, 8 Drawing Sheets**



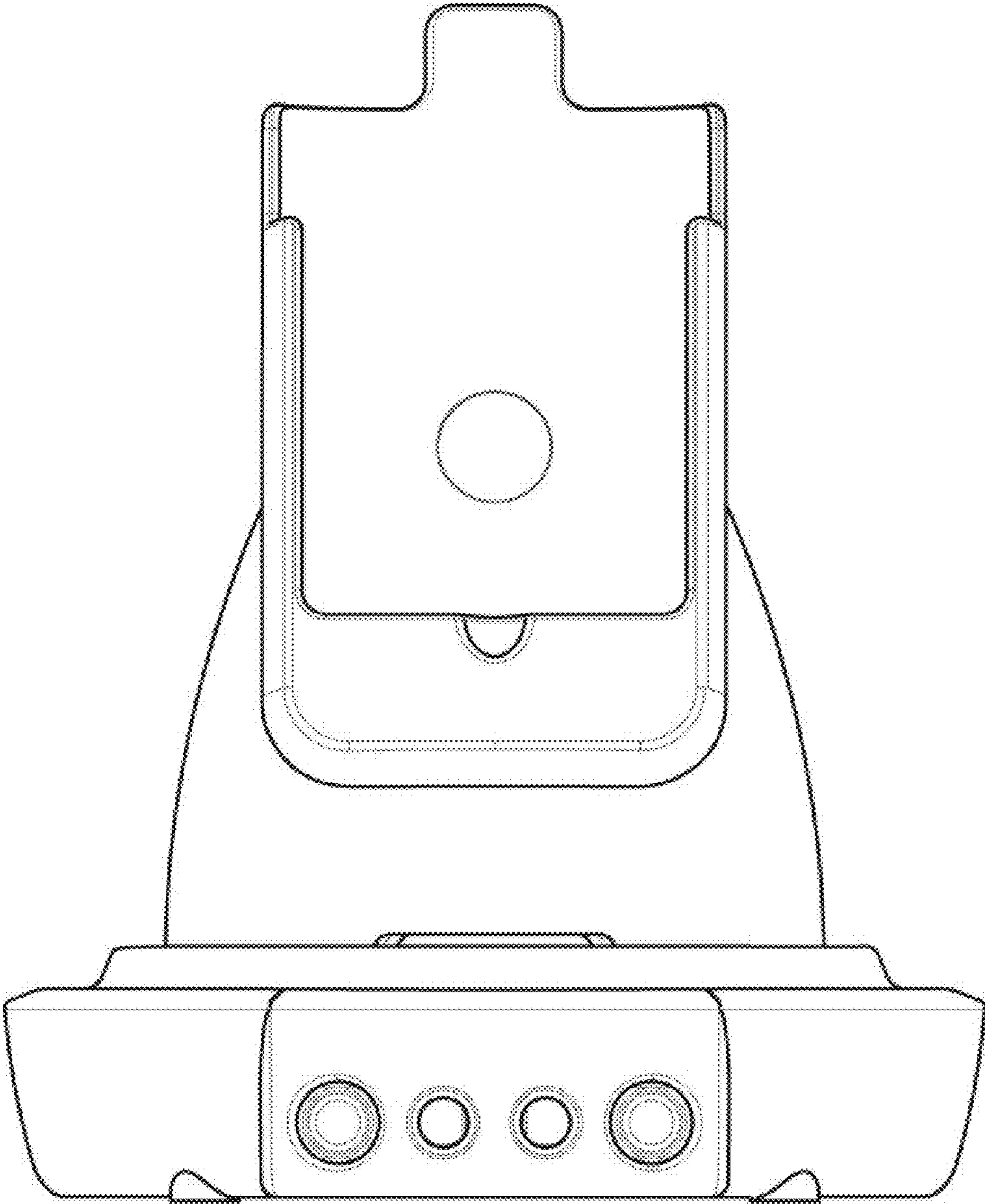


FIGURE 1

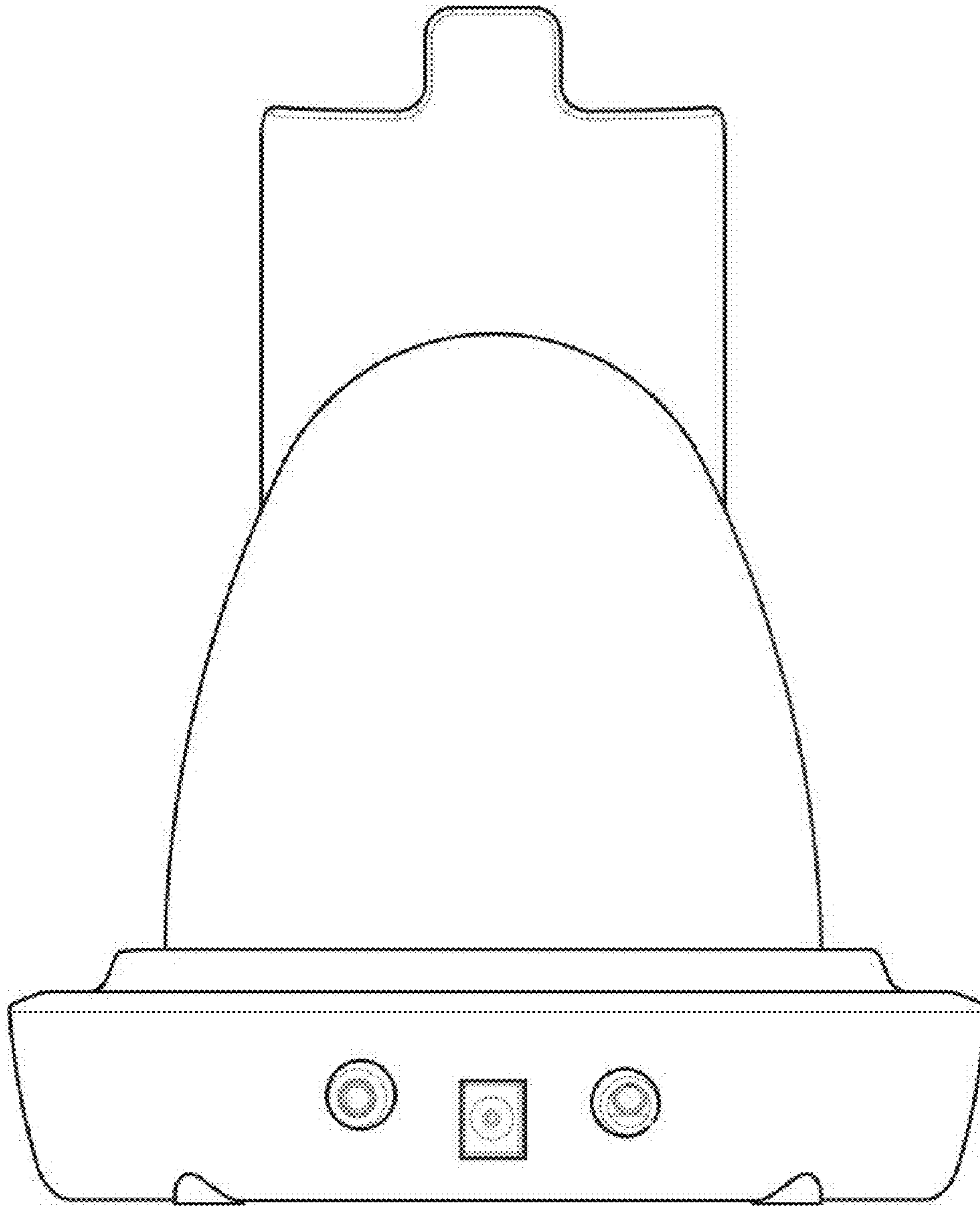


FIGURE 2

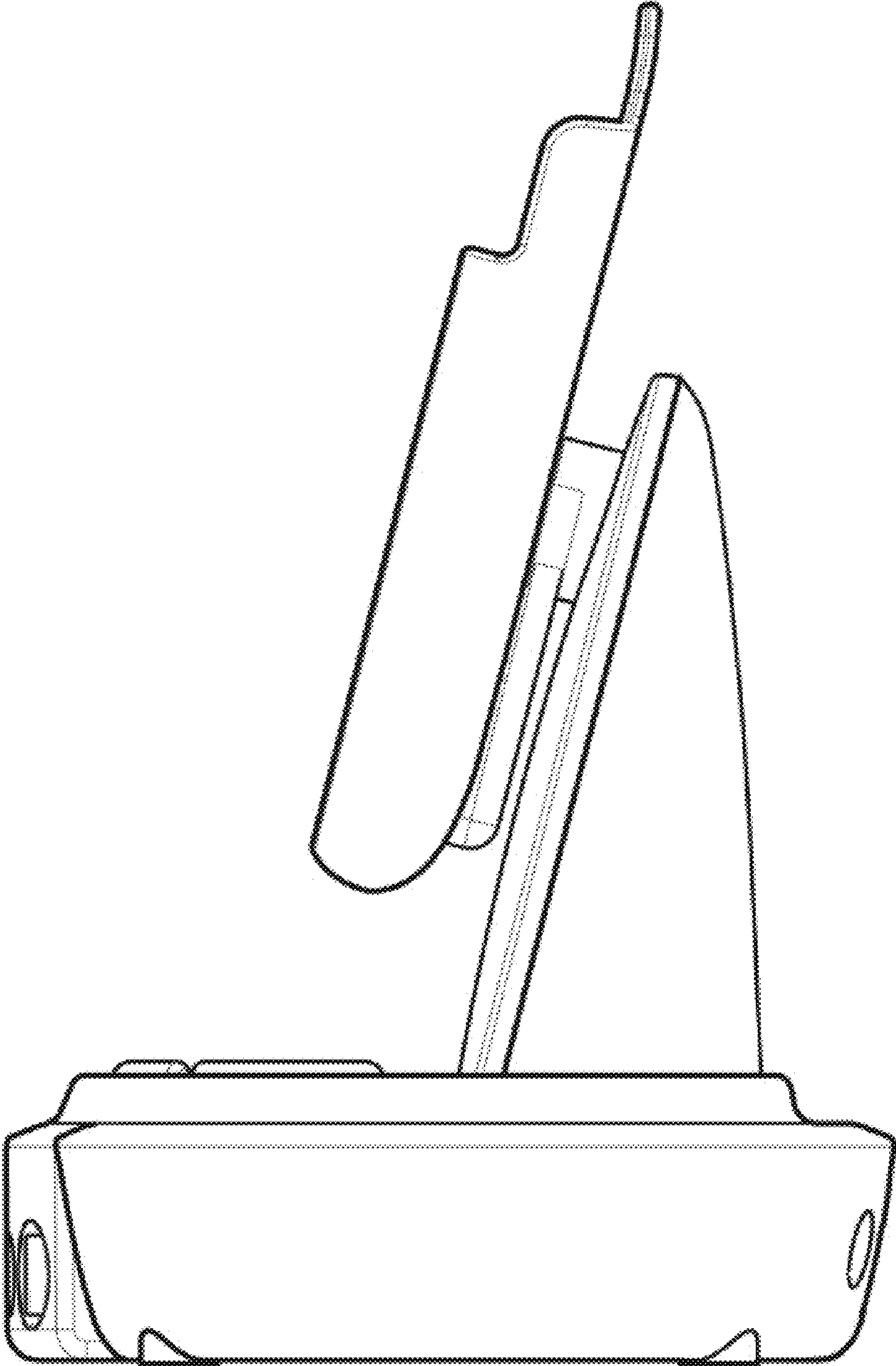


FIGURE 3

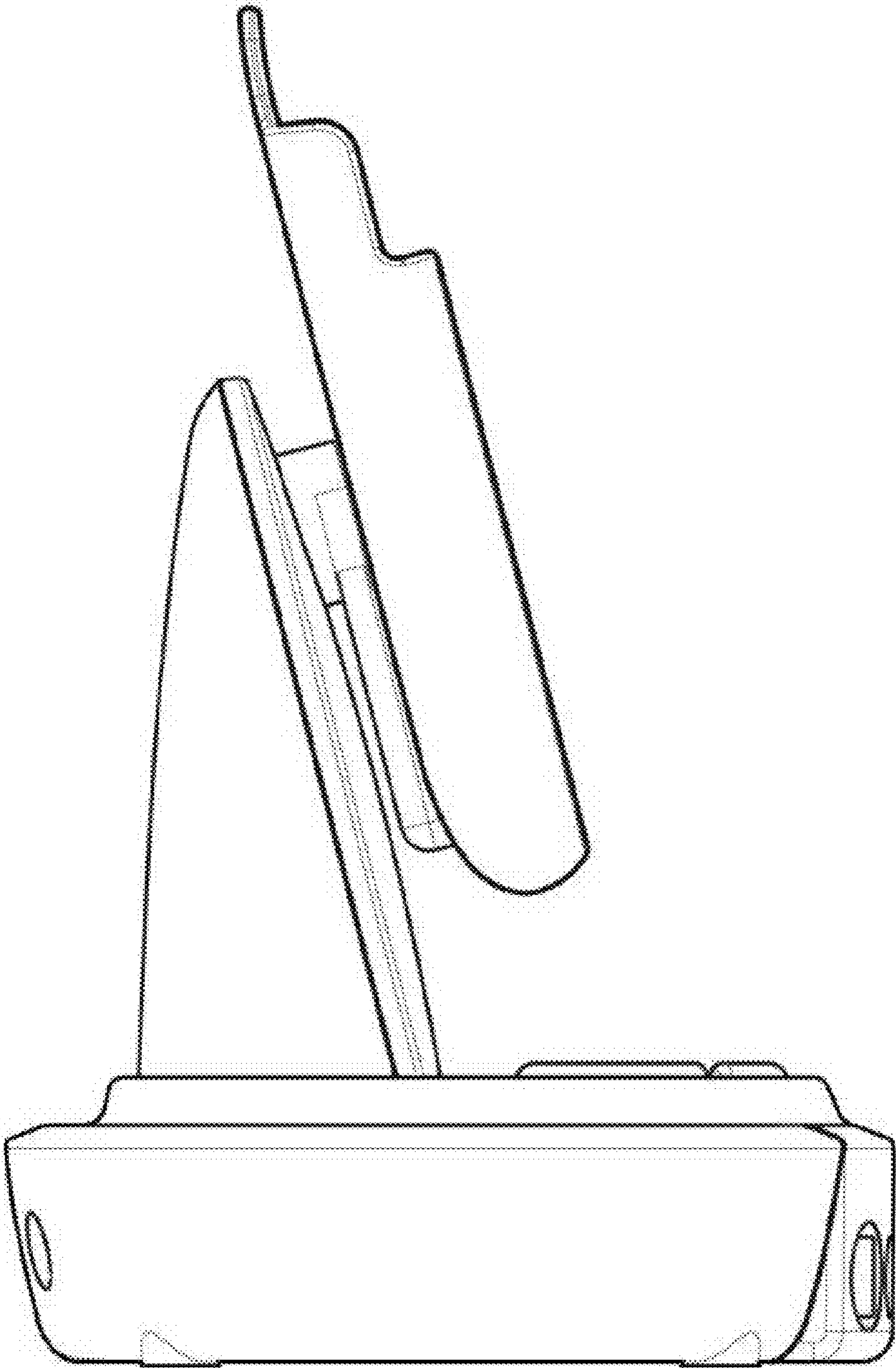


FIGURE 4

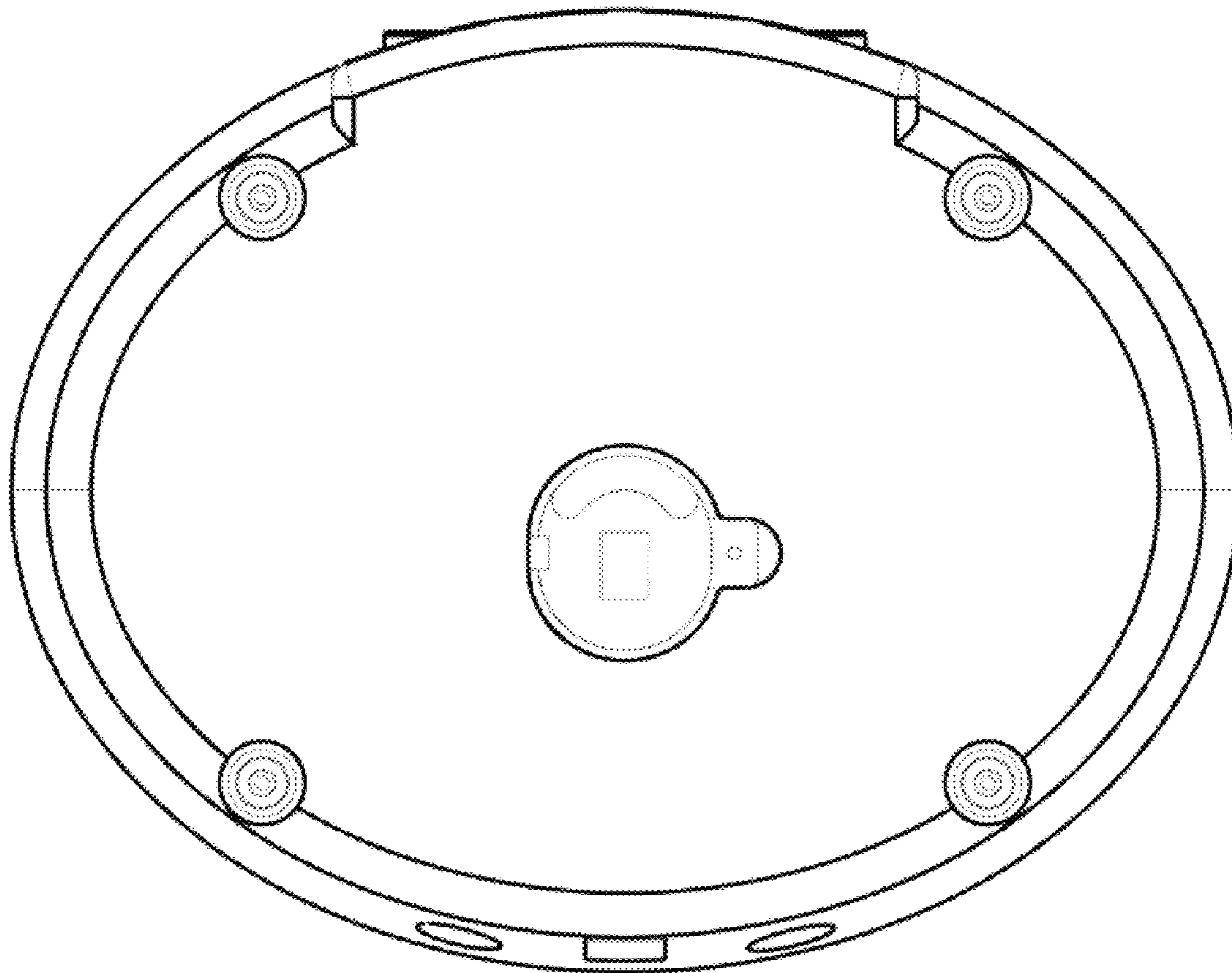


FIGURE 5

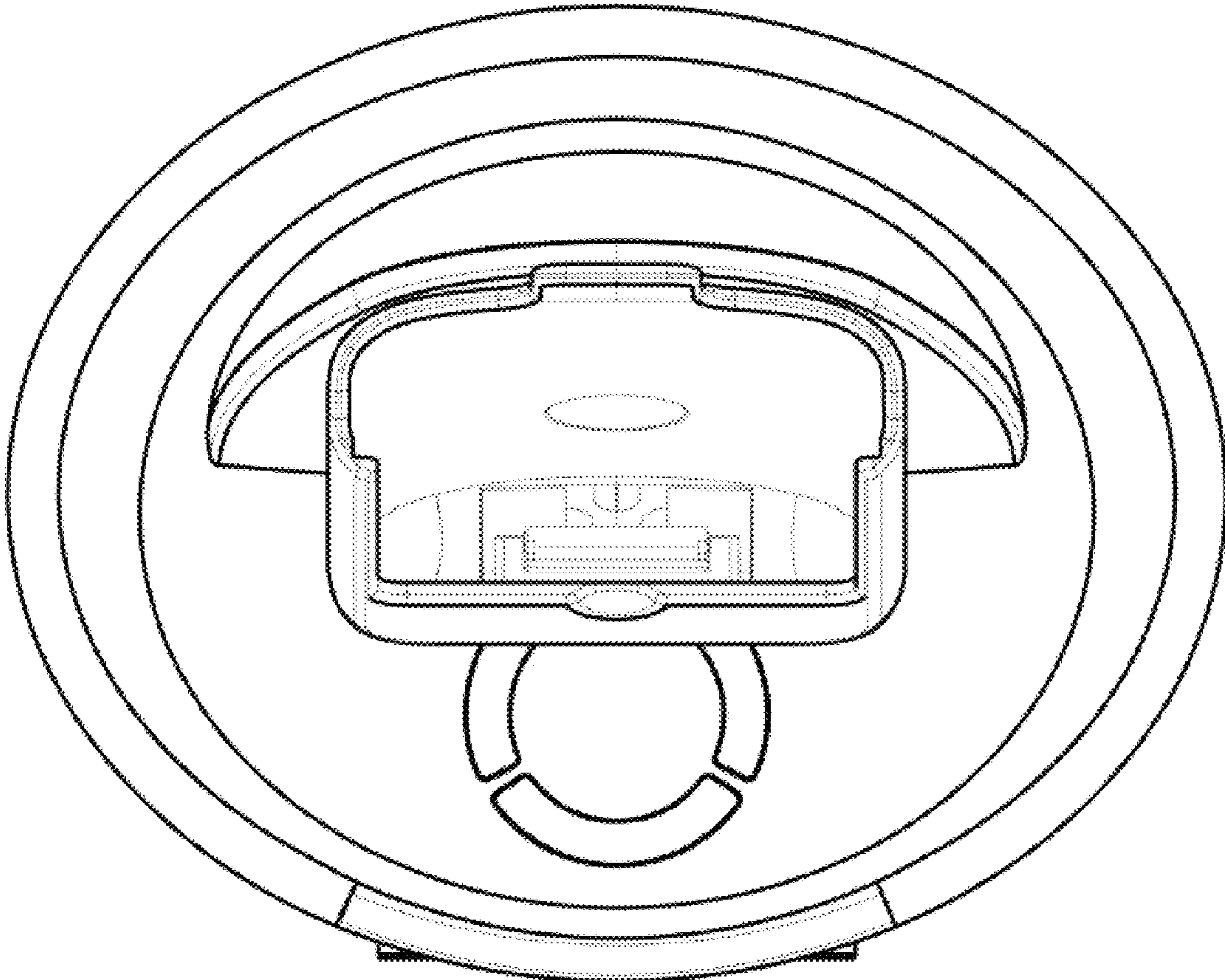


FIGURE 6

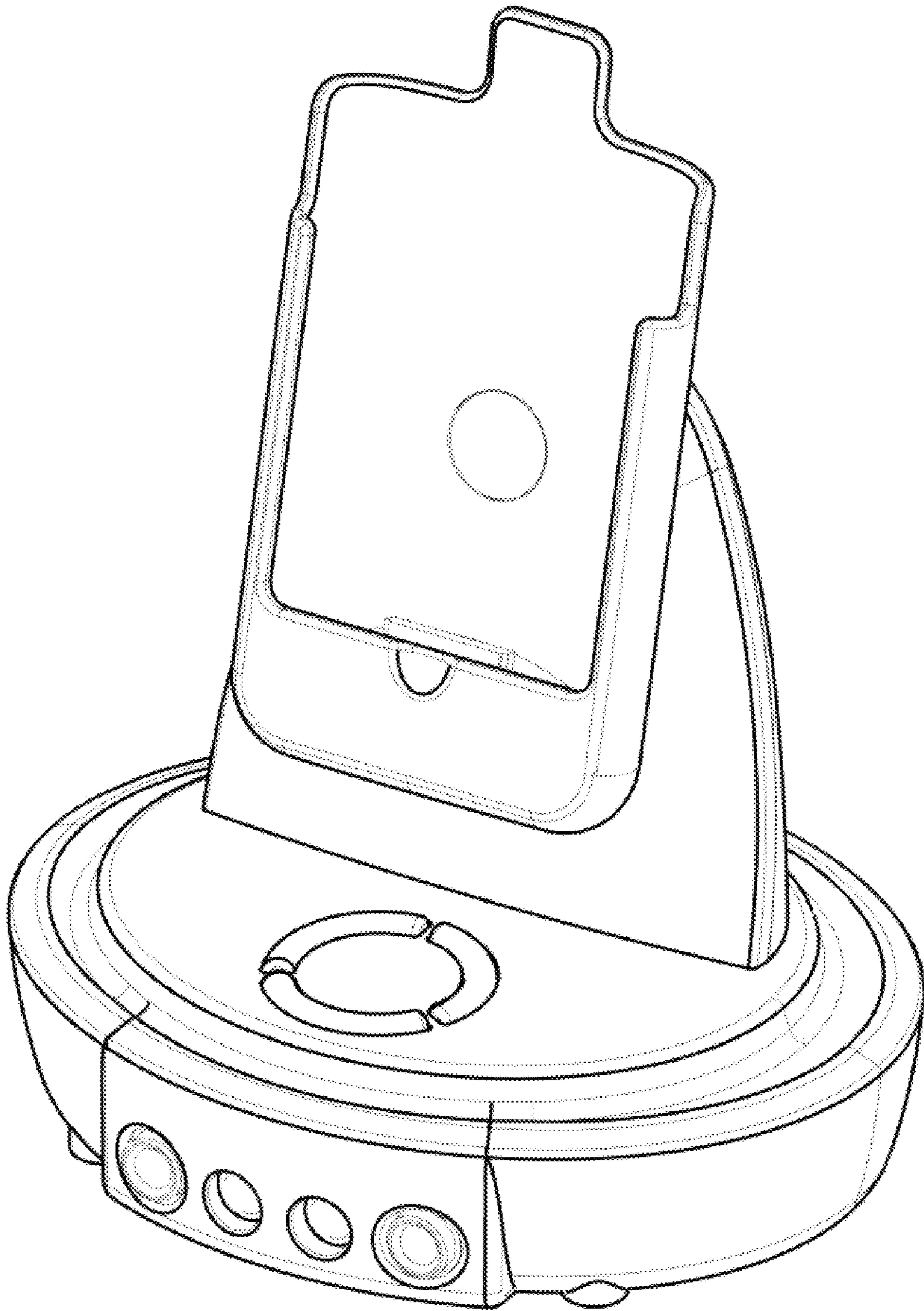


FIGURE 7



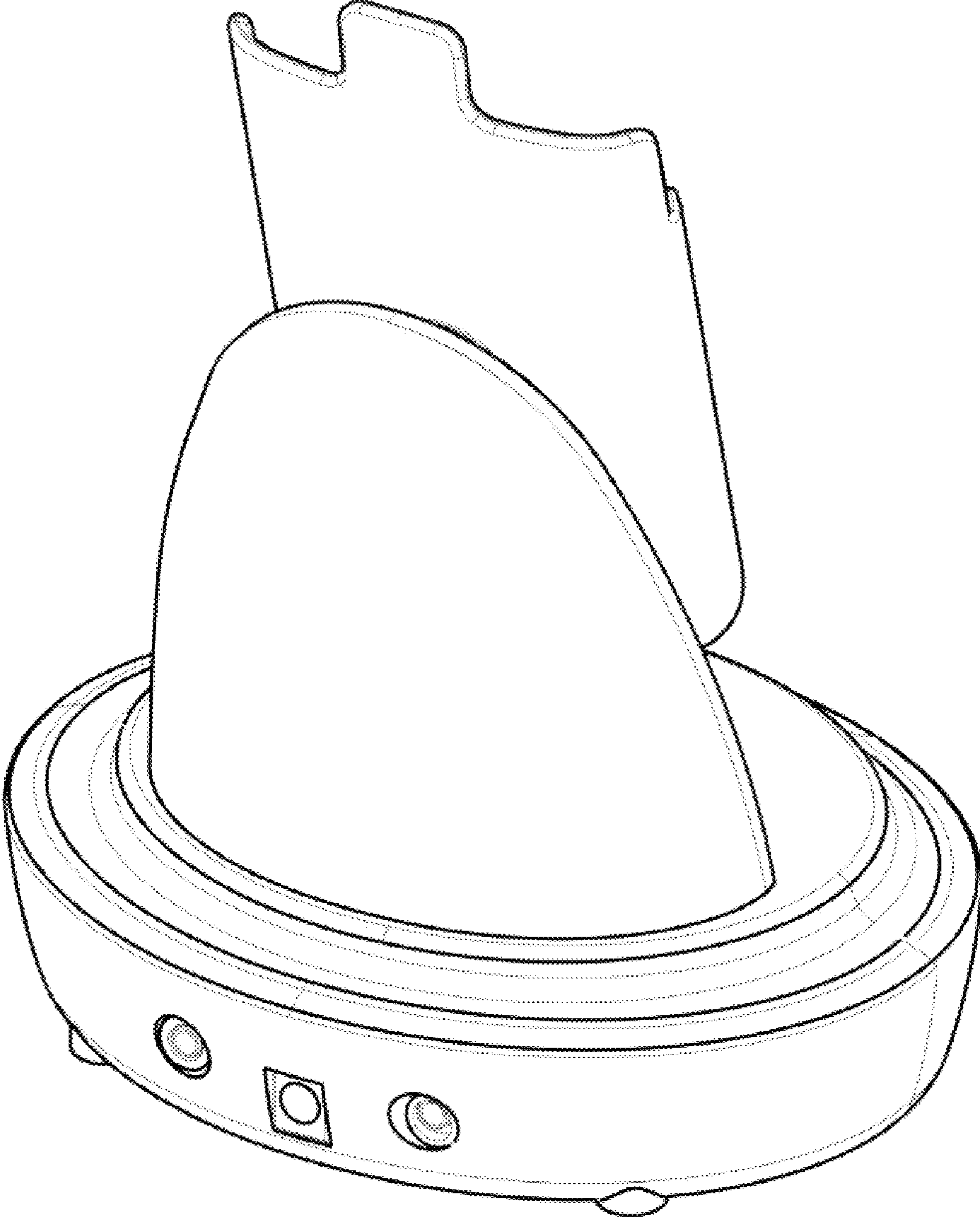


FIGURE 8