



US00D645846S

(12) **United States Design Patent**
Mordechai

(10) **Patent No.:** **US D645,846 S**

(45) **Date of Patent:** **** Sep. 27, 2011**

(54) **LOUDSPEAKER**

(76) Inventor: **Oren Mordechai**, Ness Ziona (IL)

(**) Term: **14 Years**

(21) Appl. No.: **29/347,736**

(22) Filed: **Apr. 30, 2010**

(51) **LOC (9) Cl.** **14-01**

(52) **U.S. Cl.** **D14/216**

(58) **Field of Classification Search** D14/204,
D14/210-216, 168, 172, 496, 498, 500, 509;
181/143-144, 147-148, 150-153, 157, 198-199;
381/300-303, 306, 332-333, 336, 345, 361-364,
381/386-388

See application file for complete search history.

(56) **References Cited**

U.S. PATENT DOCUMENTS

D77,629 S *	1/1929	Temple	D14/215
D222,072 S *	9/1971	Levitt	D14/211
D319,243 S *	8/1991	Yamakawa	D14/216
D440,557 S *	4/2001	Su	D14/215

D485,251 S *	1/2004	Lee	D14/509
D510,926 S *	10/2005	Jerome	D14/500
D514,548 S *	2/2006	Chan	D14/216
D524,799 S *	7/2006	Hibi	D14/216
D526,644 S *	8/2006	Breit	D14/216
D606,515 S *	12/2009	Ludlum et al.	D14/209.1

* cited by examiner

Primary Examiner — Nanda Bondade

(57) **CLAIM**

The ornamental design for a loudspeaker, as shown.

DESCRIPTION

FIG. 1 is a front and right side perspective view of the loudspeaker showing my new design;

FIG. 2 is a front elevational view thereof;

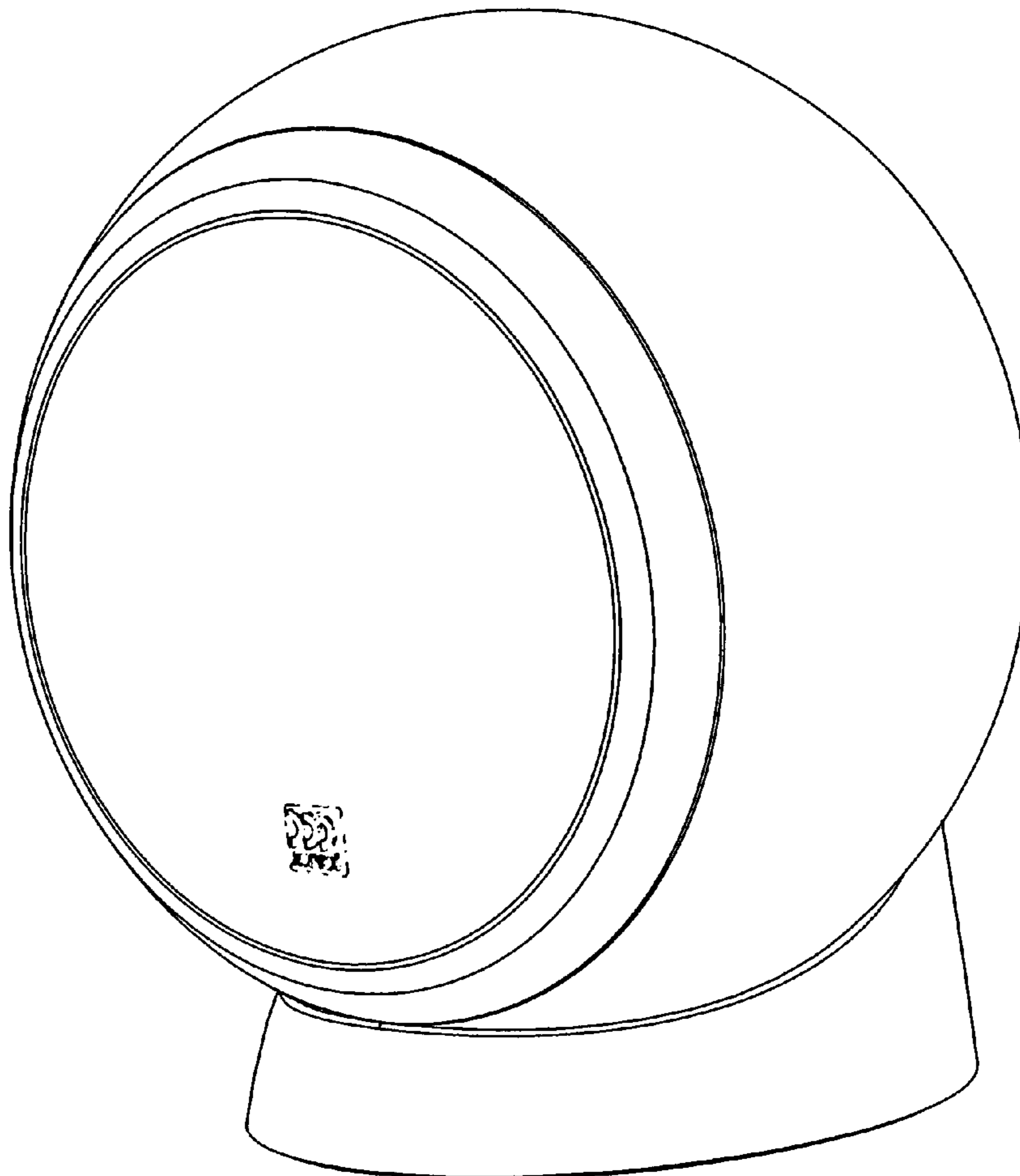
FIG. 3 is a right side elevation view thereof;

FIG. 4 is a top plan view thereof; and,

FIG. 5 is a bottom plan view thereof.

The broken line showing on the drawing disclosure is for illustrative purposes only and forms no part of the claimed design.

1 Claim, 5 Drawing Sheets



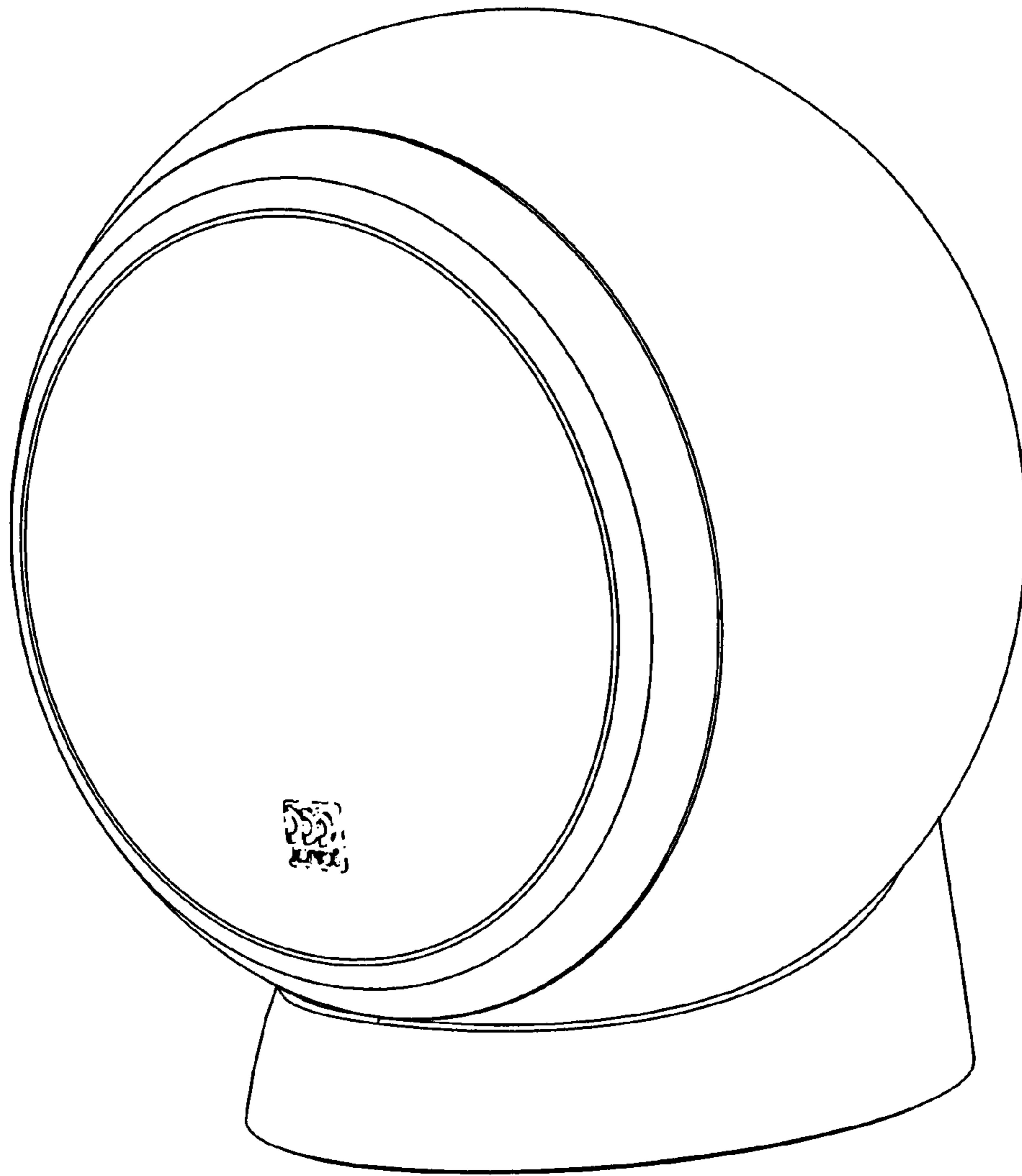


FIGURE 1

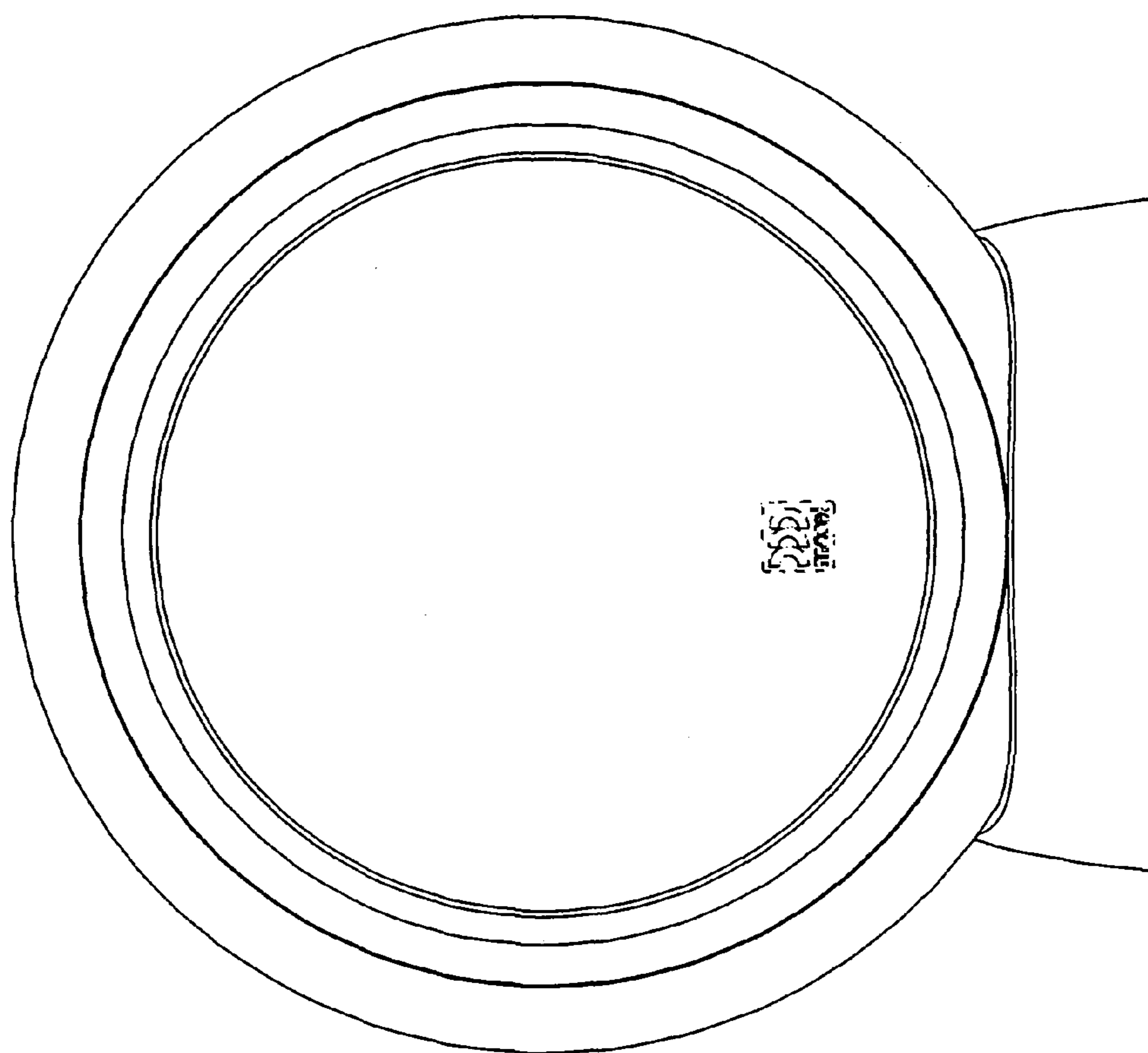


FIGURE 2

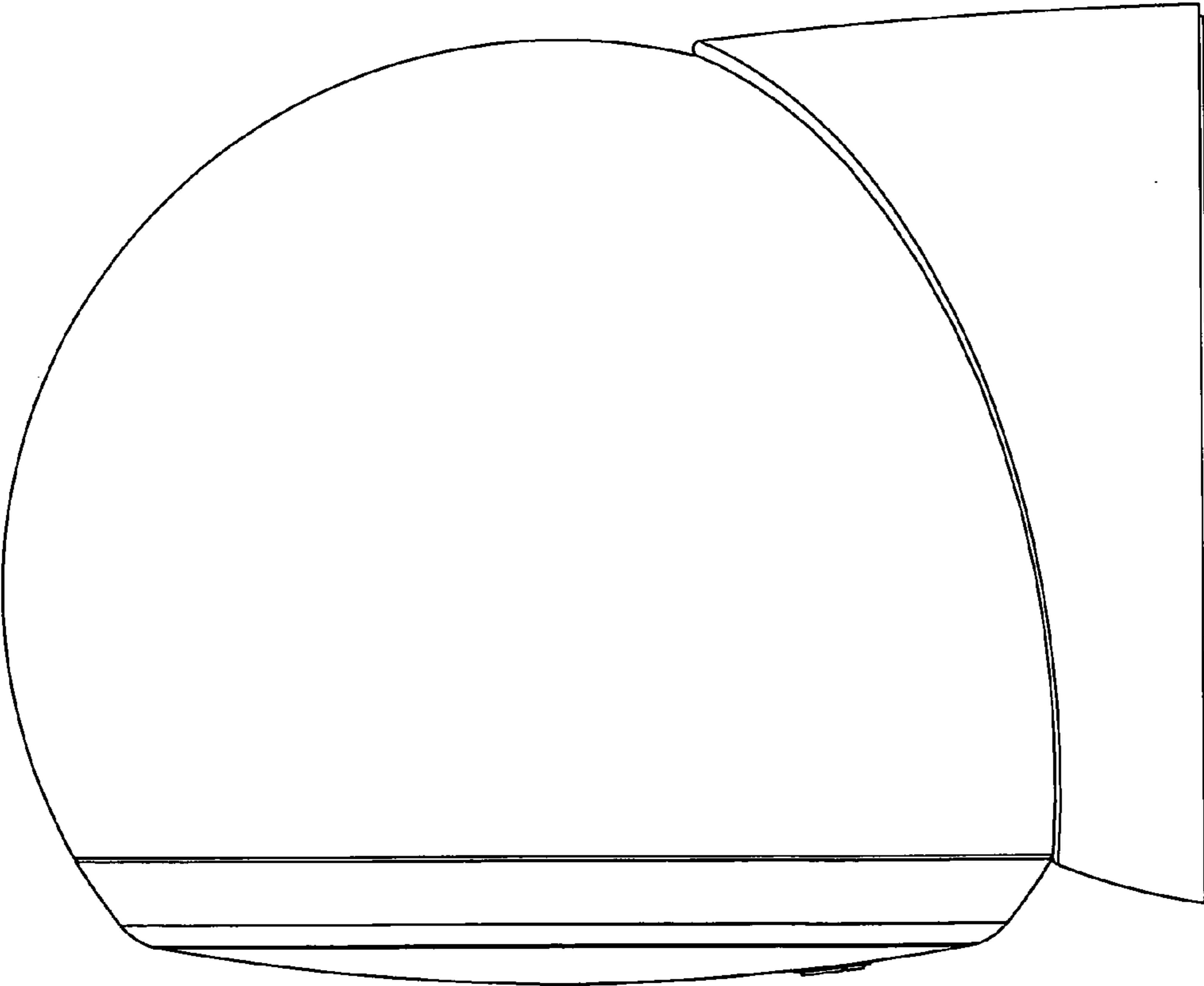


FIGURE 3

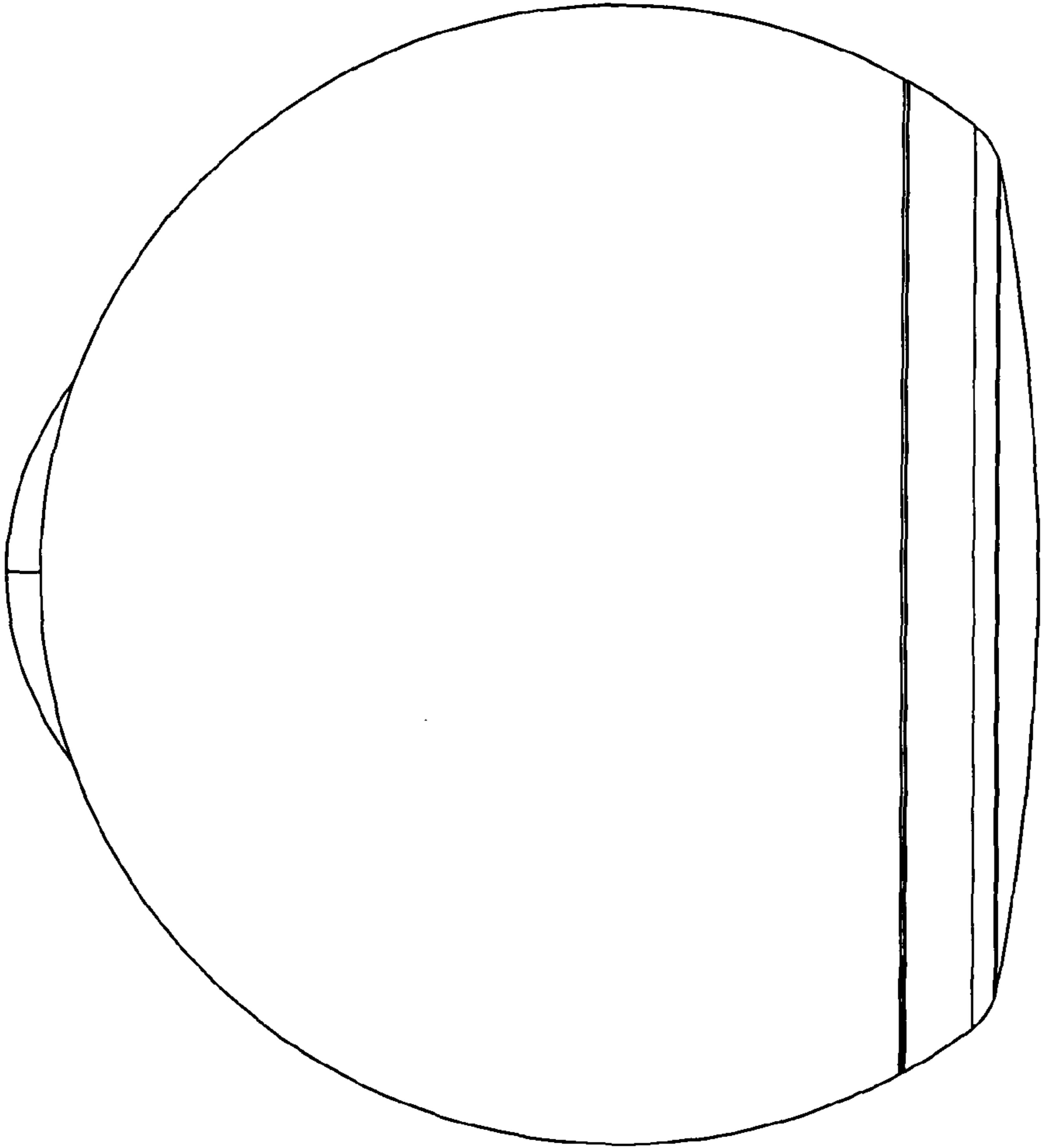


FIGURE 4

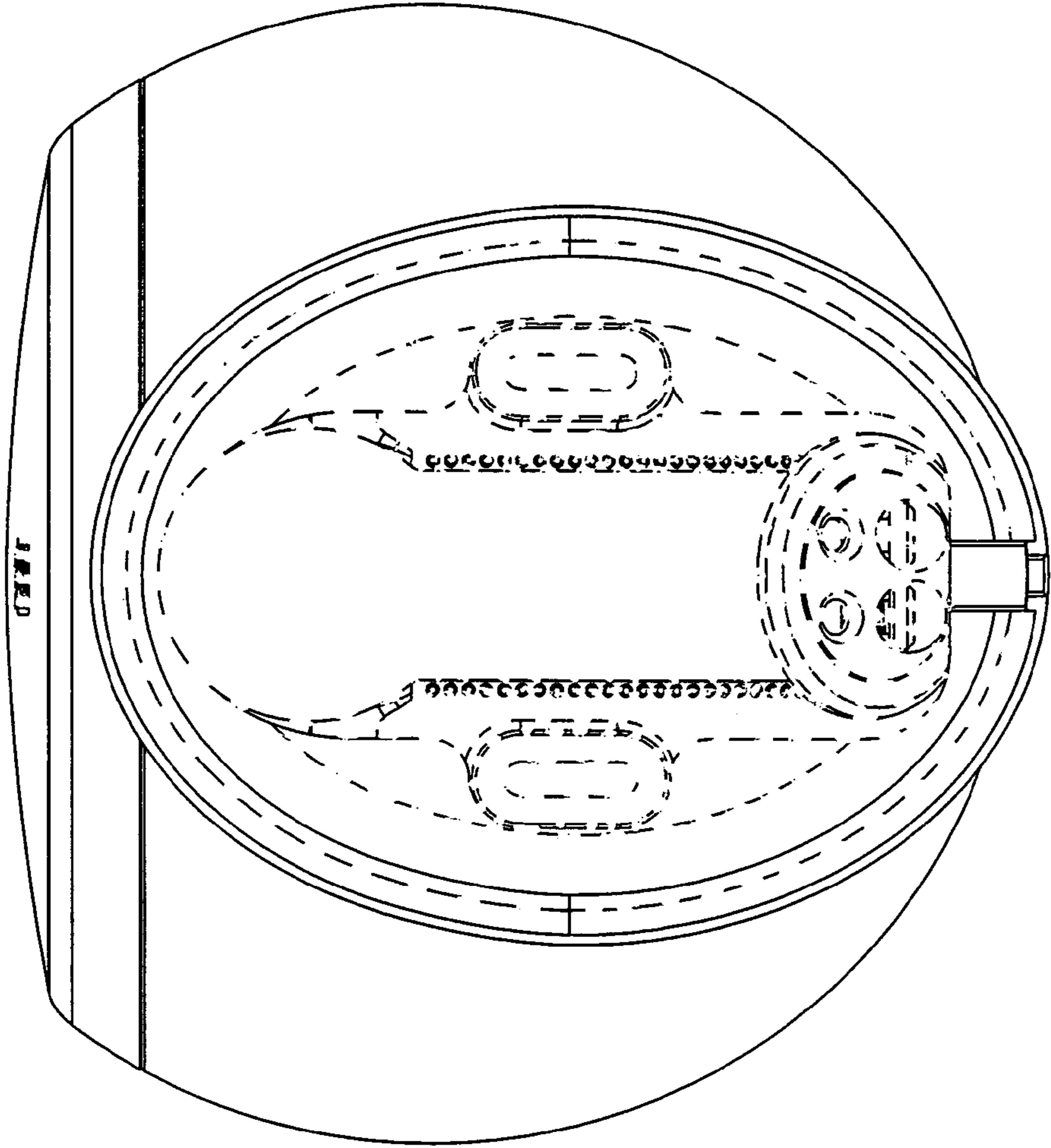


FIGURE 5