

US00D645843S

(12) **United States Design Patent**
Bolton

(10) **Patent No.:** **US D645,843 S**

(45) **Date of Patent:** **** Sep. 27, 2011**

(54) **SPEAKER**

(75) Inventor: **Charlie Bolton**, Hong Kong (HK)

(73) Assignee: **Koninklijke Philips Electronics N.V.**,
Eindhoven (NL)

(**) Term: **14 Years**

(21) Appl. No.: **29/361,619**

(22) Filed: **May 13, 2010**

(30) **Foreign Application Priority Data**

Nov. 18, 2009 (EM) 001637562-0005

(51) **LOC (9) Cl.** **14-01**

(52) **U.S. Cl.** **D14/209.1**

(58) **Field of Classification Search** D14/204,
D14/209.1, 210-217, 167-168, 172; 181/143-144,
181/147-148, 150-153, 157, 198-199;
381/300-303, 306, 332-333, 336, 345, 361-364,
381/386-388

See application file for complete search history.

(56) **References Cited**

U.S. PATENT DOCUMENTS

D558,738 S *	1/2008	Andre et al.	D14/217
D571,360 S *	6/2008	Andre et al.	D14/217
D573,135 S *	7/2008	Laituri et al.	D14/168
D582,887 S *	12/2008	Poandl	D14/214

* cited by examiner

Primary Examiner — Nanda Bondade

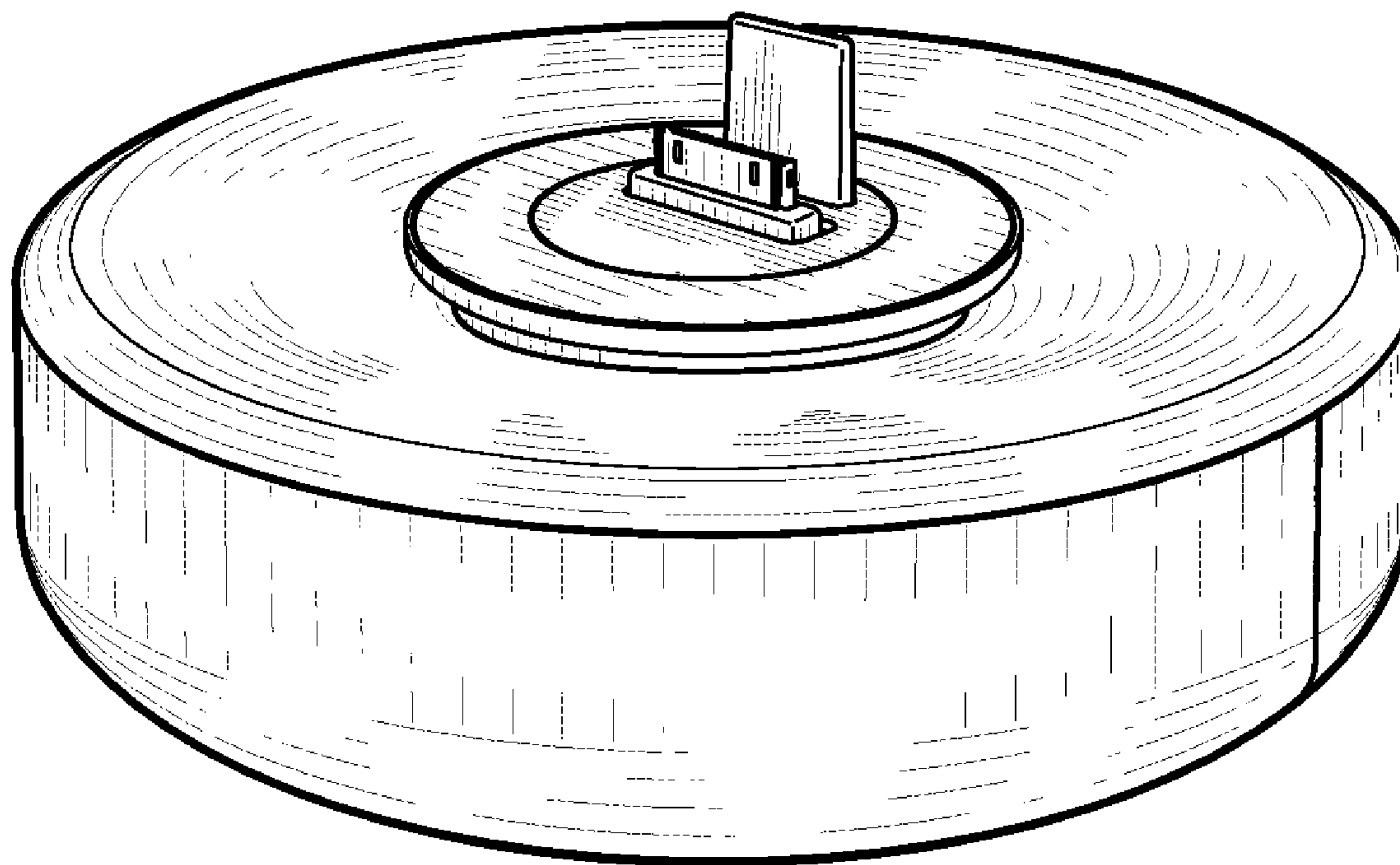
(57) **CLAIM**

The ornamental design for a speaker, as shown and described.

DESCRIPTION

FIG. 1 is a perspective view showing my design;
FIG. 2 is a front elevational view thereof;
FIG. 3 is a rear elevational view thereof;
FIG. 4 is a right side elevational view thereof;
FIG. 5 is a left side elevational view thereof;
FIG. 6 is a top plan view thereof; and,
FIG. 7 is a bottom plan view thereof.
The broken line showing on the drawing disclosure is for illustrative purposes only and forms no part of the claimed design.

1 Claim, 4 Drawing Sheets



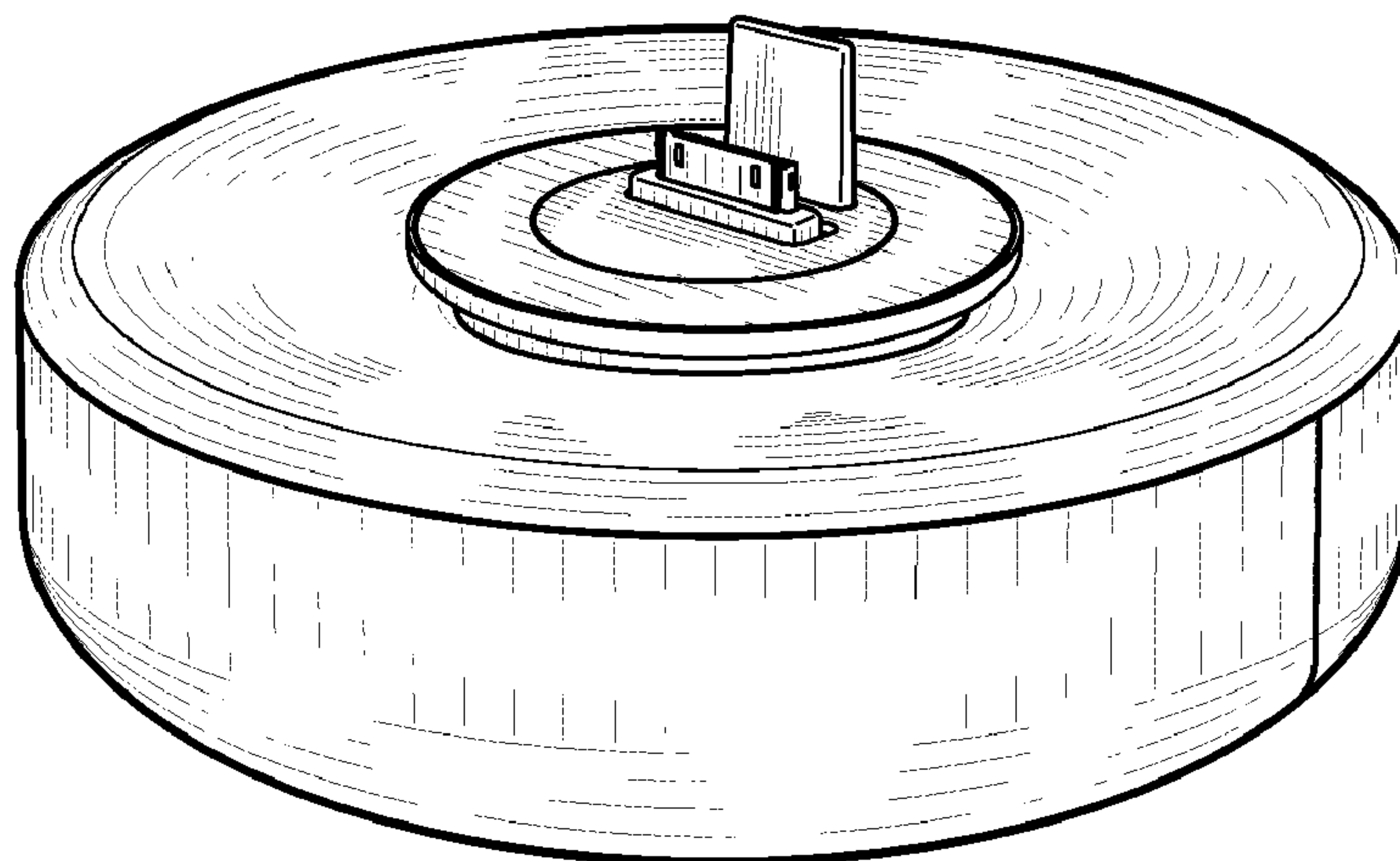


FIG. 1

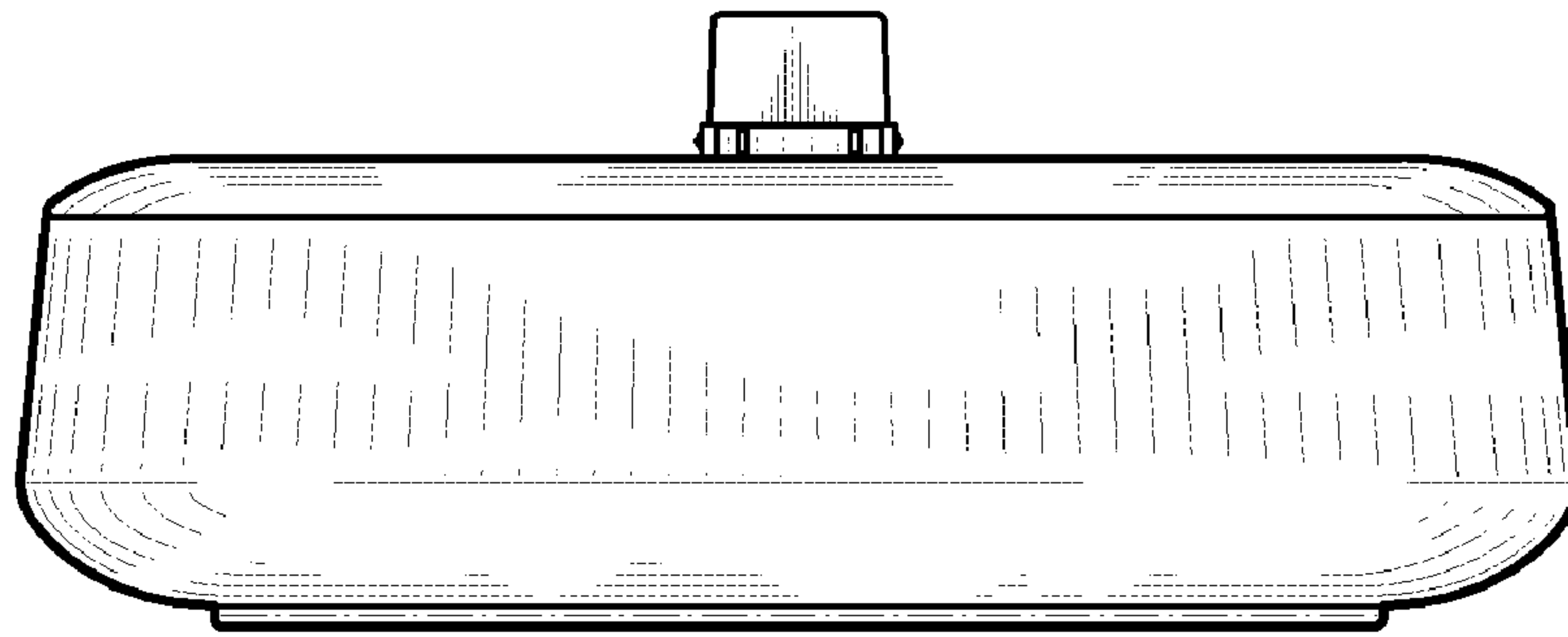


FIG. 2

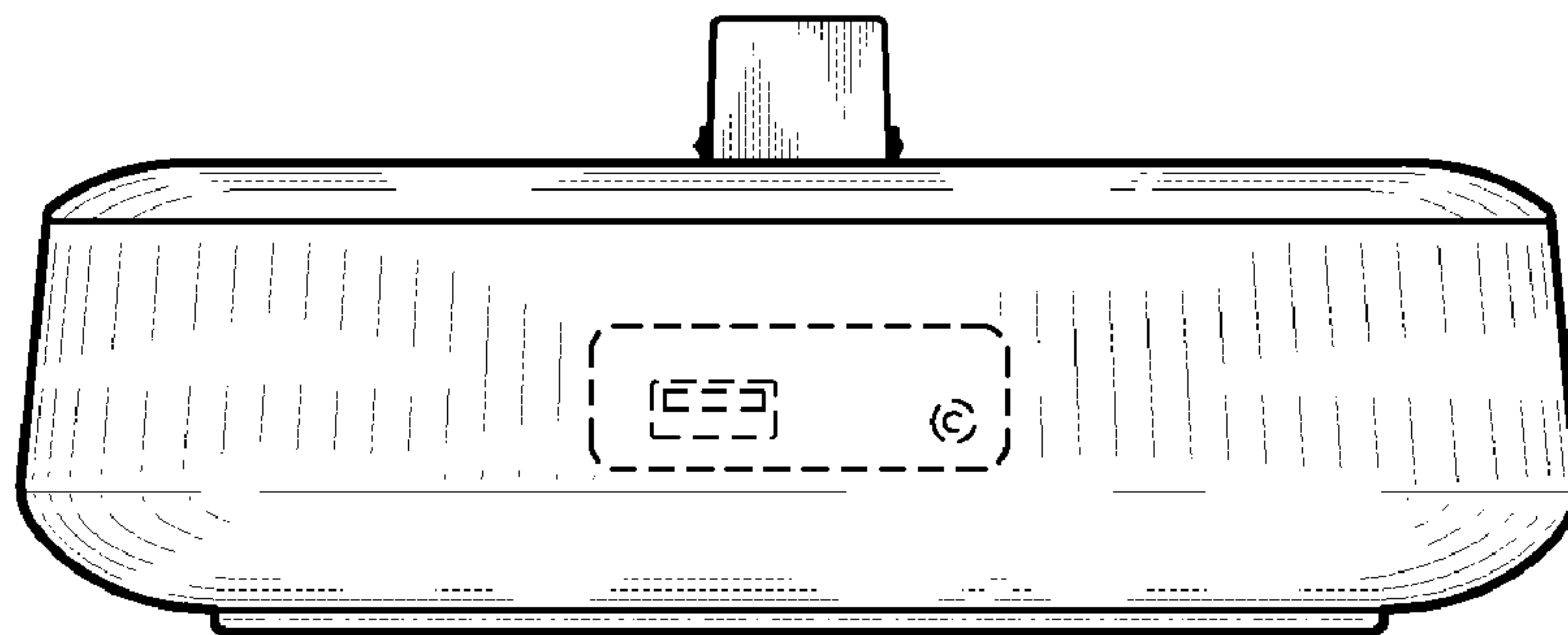


FIG. 3

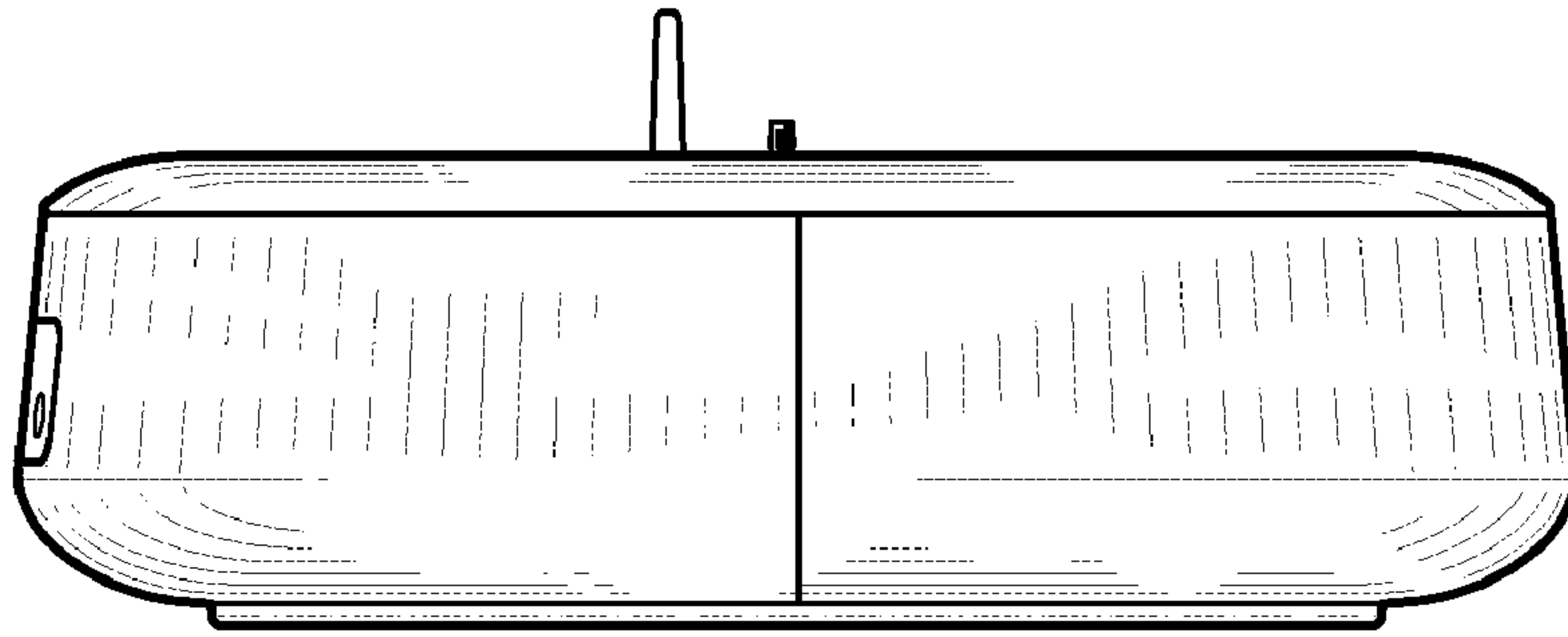


FIG. 4

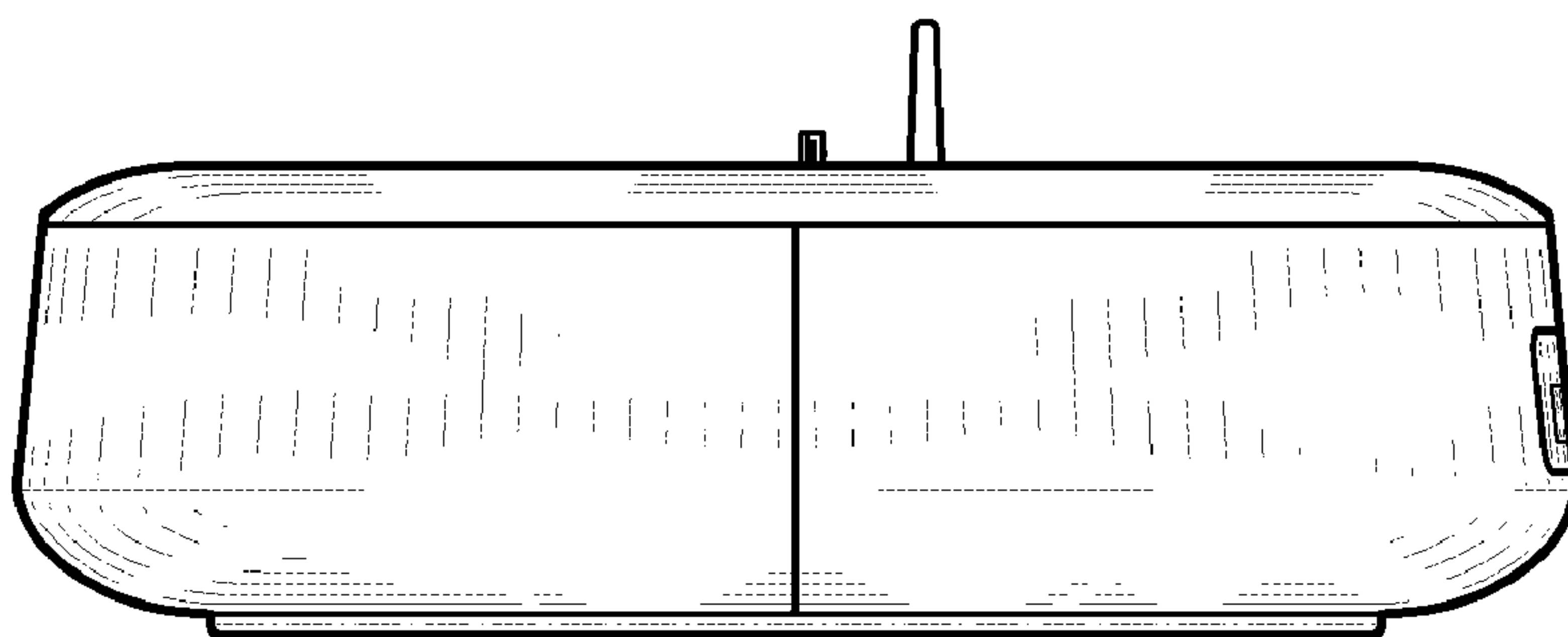


FIG. 5

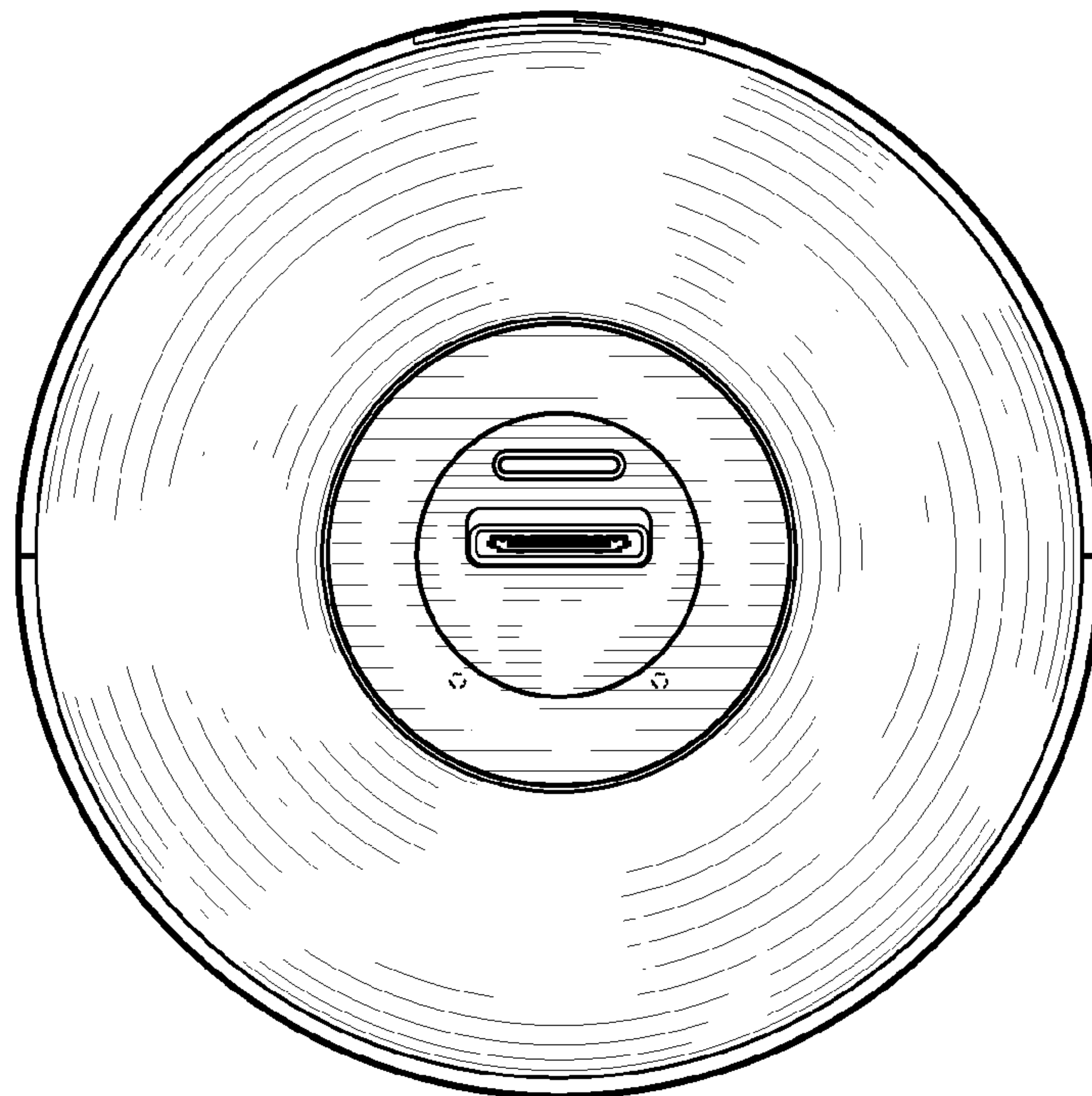


FIG. 6

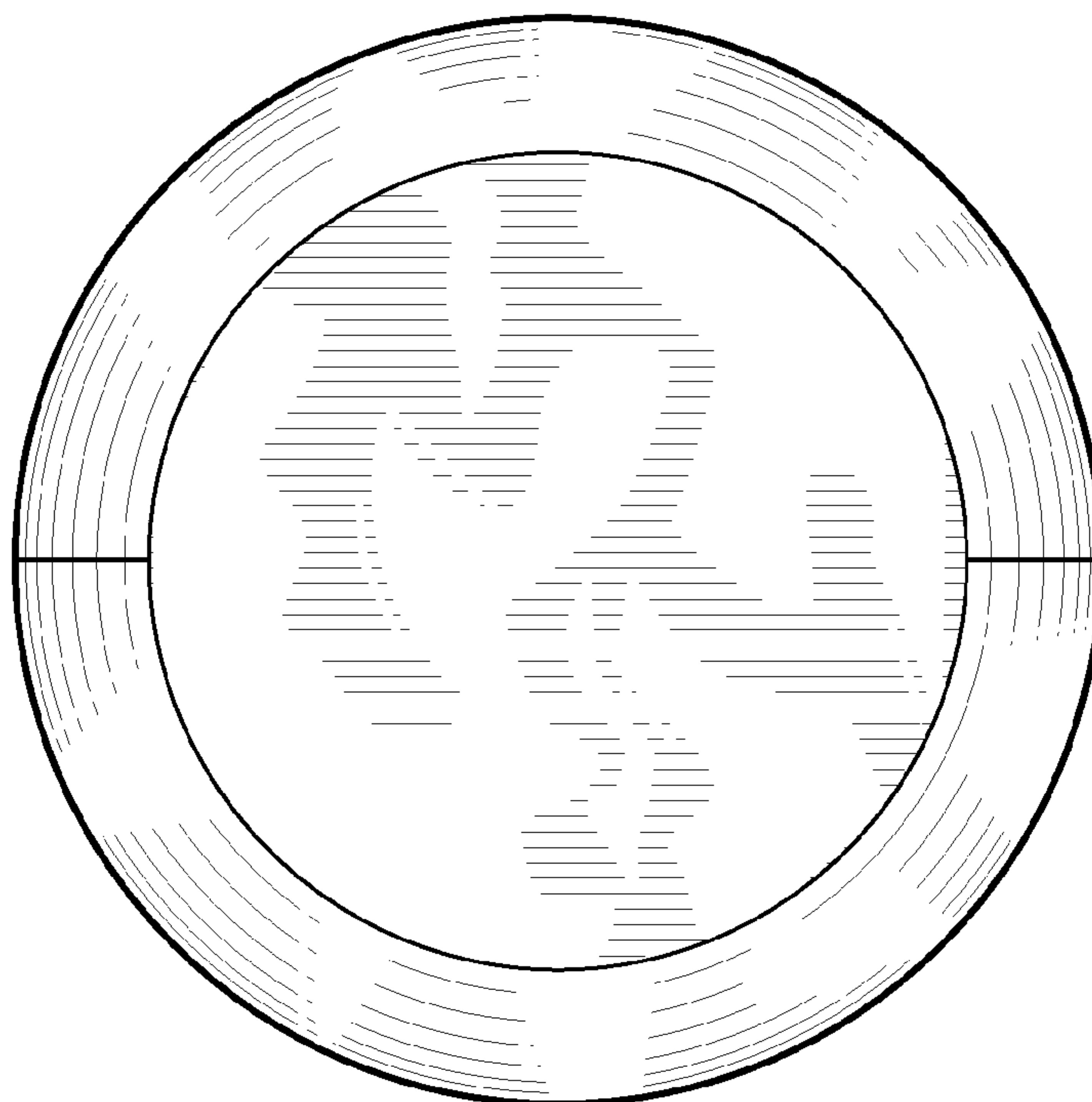


FIG. 7