



US00D645839S

(12) **United States Design Patent**
Skurdal

(10) **Patent No.:** **US D645,839 S**

(45) **Date of Patent:** **** Sep. 27, 2011**

(54) **ROTATING MEDIA PLAYER CLOCK RADIO**

(75) Inventor: **Andrew Skurdal**, Jersey City, NJ (US)

(73) Assignee: **SDI Technologies, Inc.**, Rahway, NJ (US)

(**) Term: **14 Years**

(21) Appl. No.: **29/376,642**

(22) Filed: **Oct. 8, 2010**

(51) **LOC (9) Cl.** **14-01**

(52) **U.S. Cl.** **D14/171**

(58) **Field of Classification Search** D14/137,
D14/155, 168, 170, 171, 188, 189, 193-198,
D14/203.1-203.8, 204, 208, 209.1, 210, 212,
D14/214, 217, 496; D10/2; 312/7.1; 369/6-12;
370/342-344; 455/90.1-90.3, 344-355

See application file for complete search history.

(56) **References Cited**

U.S. PATENT DOCUMENTS

D554,106 S *	10/2007	Gan et al.	D14/214
D556,737 S *	12/2007	Oh	D14/214
D574,849 S *	8/2008	Chen	D14/496
D593,540 S *	6/2009	Skurdal	D14/215
D606,044 S *	12/2009	Lee	D14/217
D611,033 S *	3/2010	Ferber et al.	D14/209.1
D611,931 S *	3/2010	Lee	D14/217

D615,960 S *	5/2010	Lum et al.	D14/188
D632,279 S *	2/2011	Chow	D14/209.1
D632,669 S *	2/2011	Chow	D14/209.1

* cited by examiner

Primary Examiner — Stella Reid

Assistant Examiner — Keli L Hill

(74) *Attorney, Agent, or Firm* — Ostrolenk Faber LLP

(57) **CLAIM**

The ornamental design for a rotating media player clock radio, shown and described.

DESCRIPTION

FIG. 1 is a front, side perspective view of a rotating media player clock radio showing my new design;

FIG. 2 is a front view thereof;

FIG. 3 is a rear view thereof;

FIG. 4 is a top view thereof;

FIG. 5 is a bottom view thereof;

FIG. 6 is a side view thereof, the opposite side view being a mirror image;

FIG. 7 is a cross-sectional view along line 7-7 in FIG. 2;

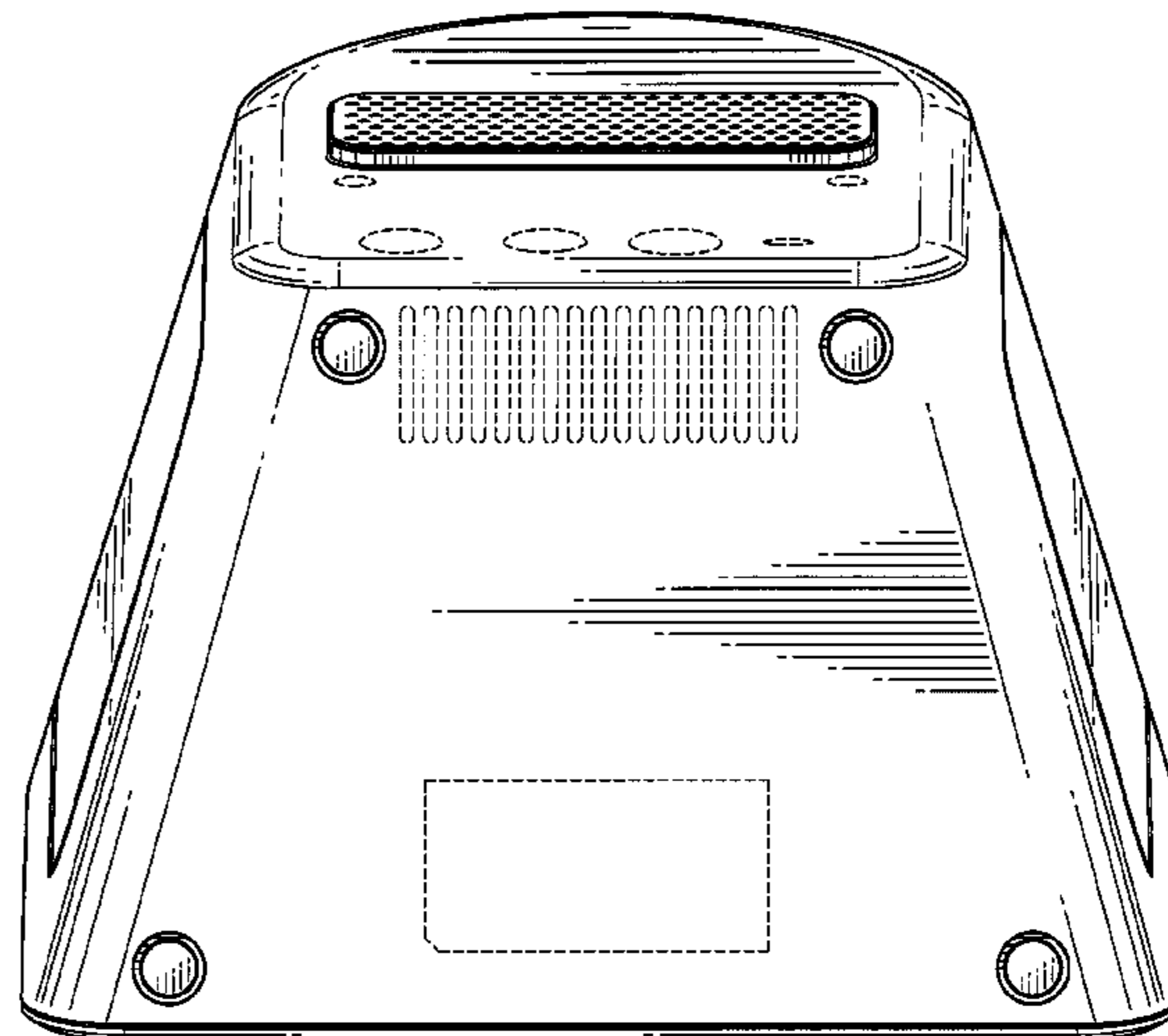
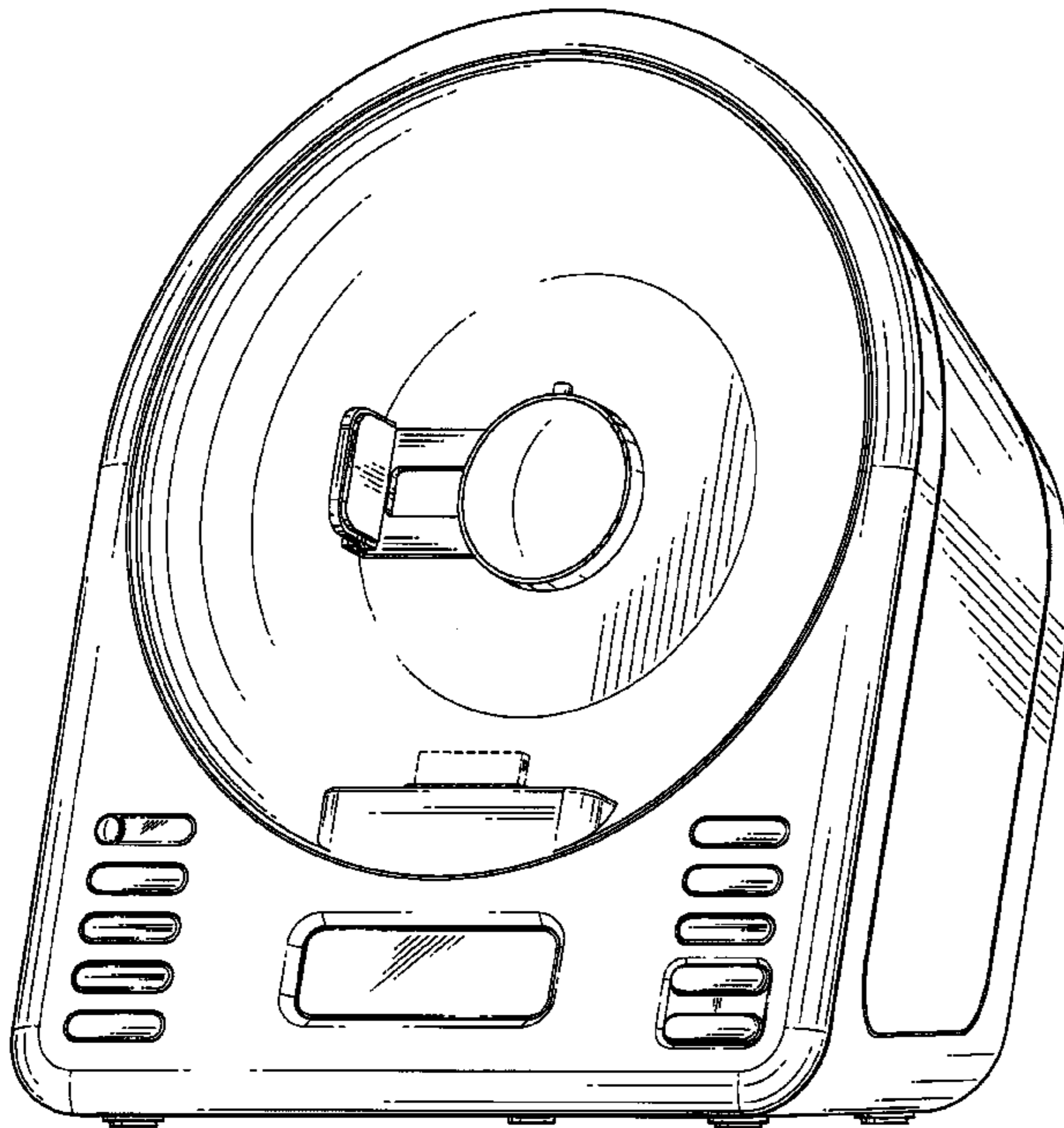
FIG. 8 is a cross-sectional view along line 8-8 in FIG. 2.

FIG. 9 is a cross-sectional view along line 9-9 in FIG. 2; and,

FIG. 10 is a cross-sectional view along line 10-10 in FIG. 2.

The broken lines in the drawings illustrate environmental material that forms no part of the claimed design.

1 Claim, 10 Drawing Sheets



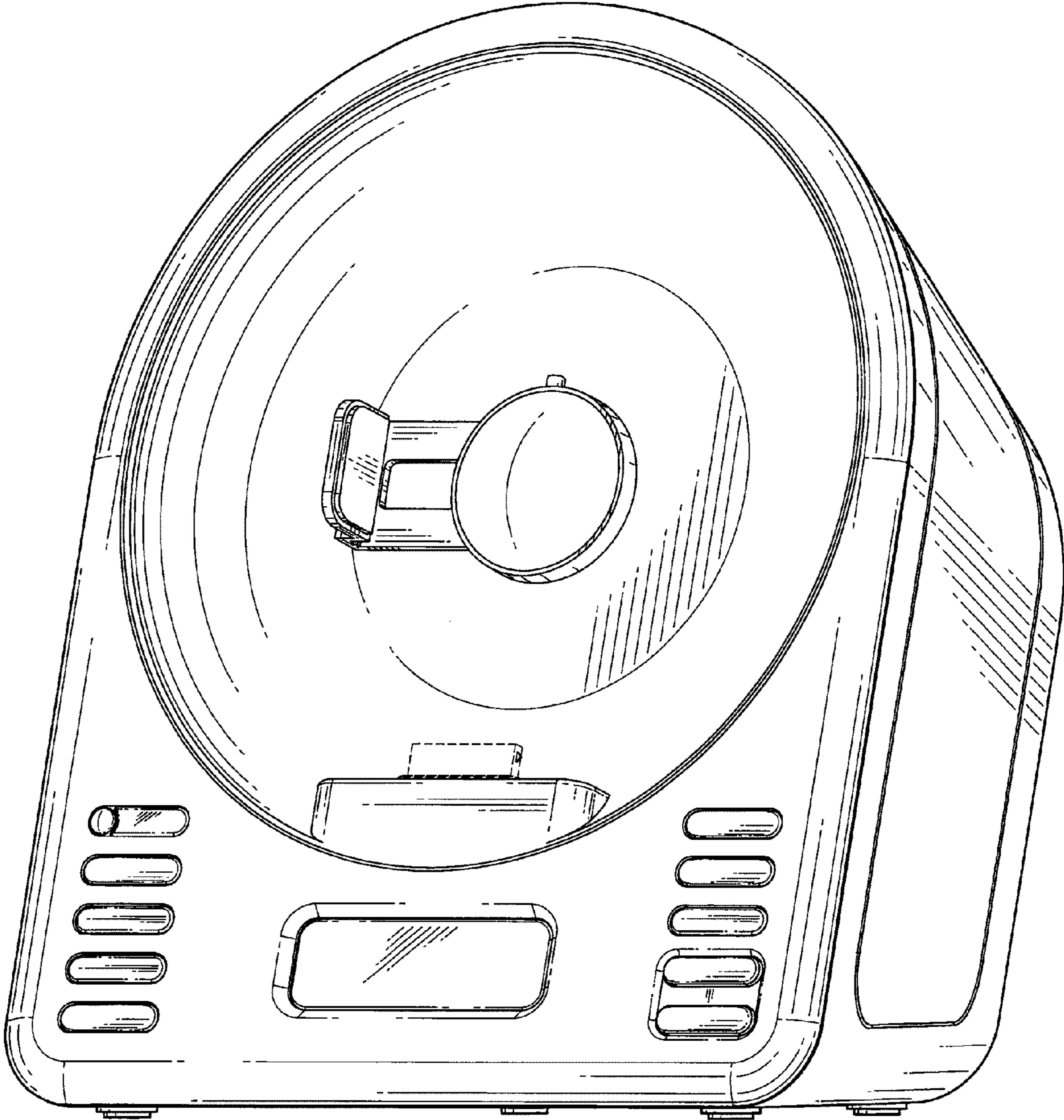


FIG. 1

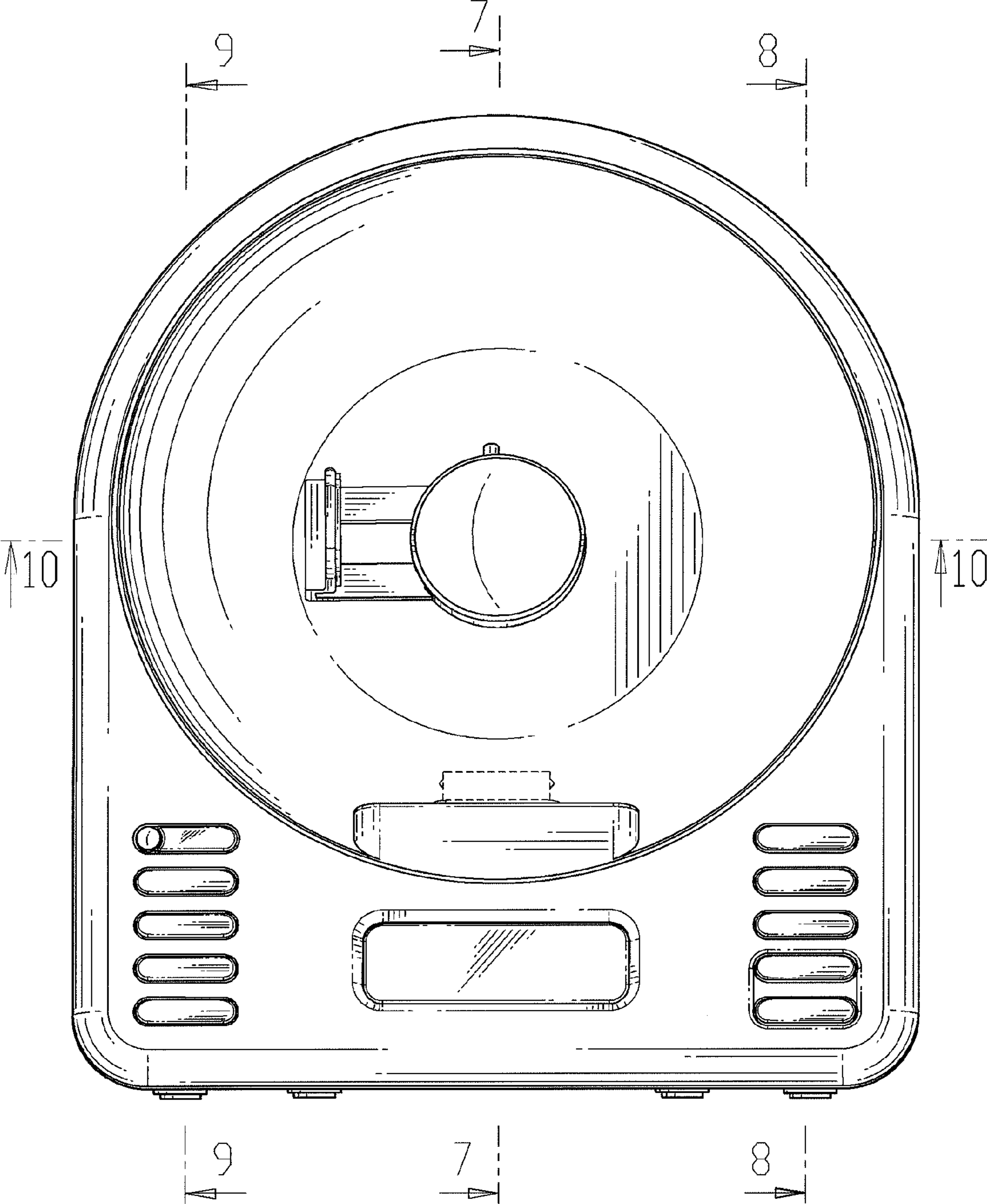


FIG. 2

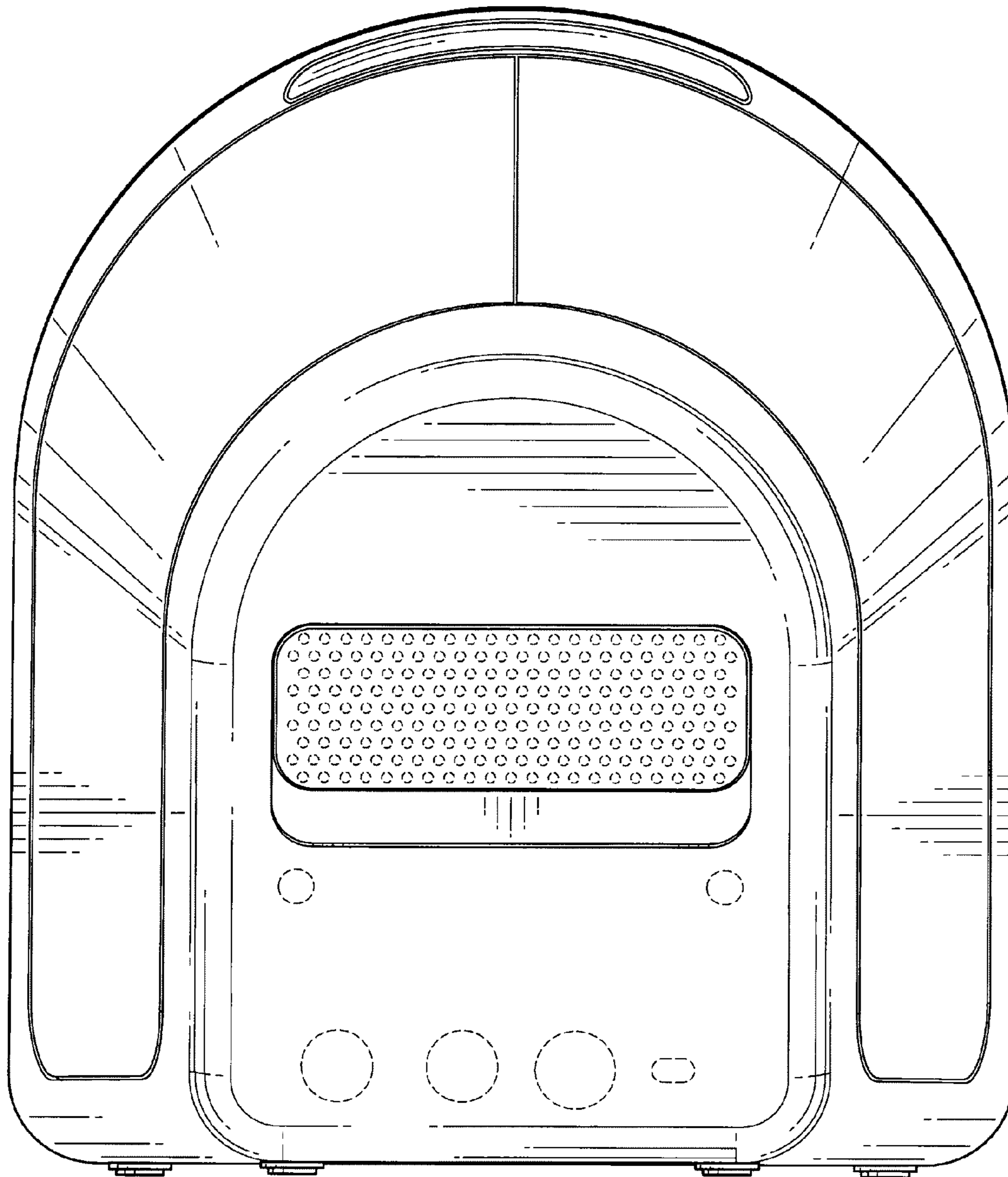


FIG. 3

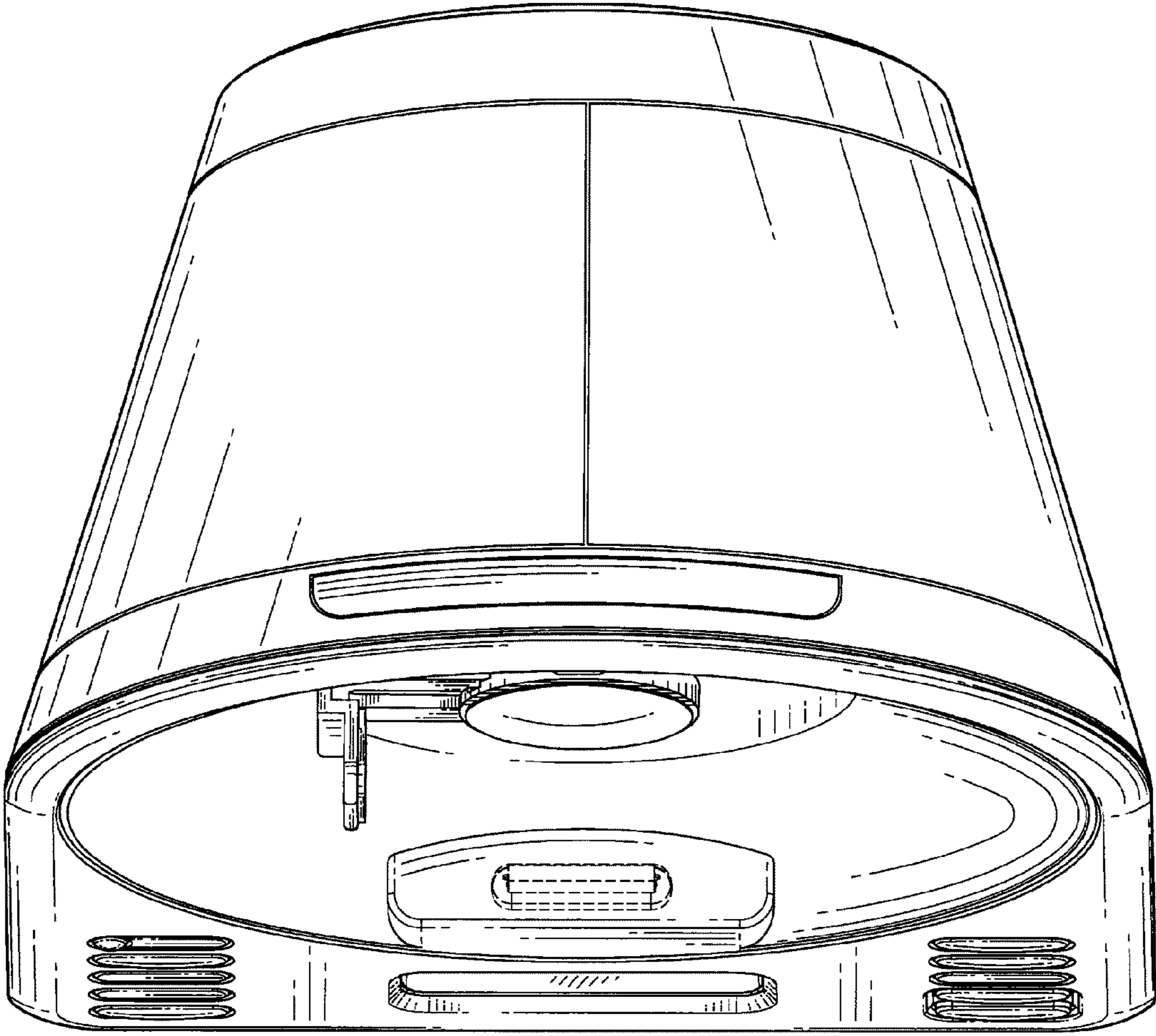


FIG. 4

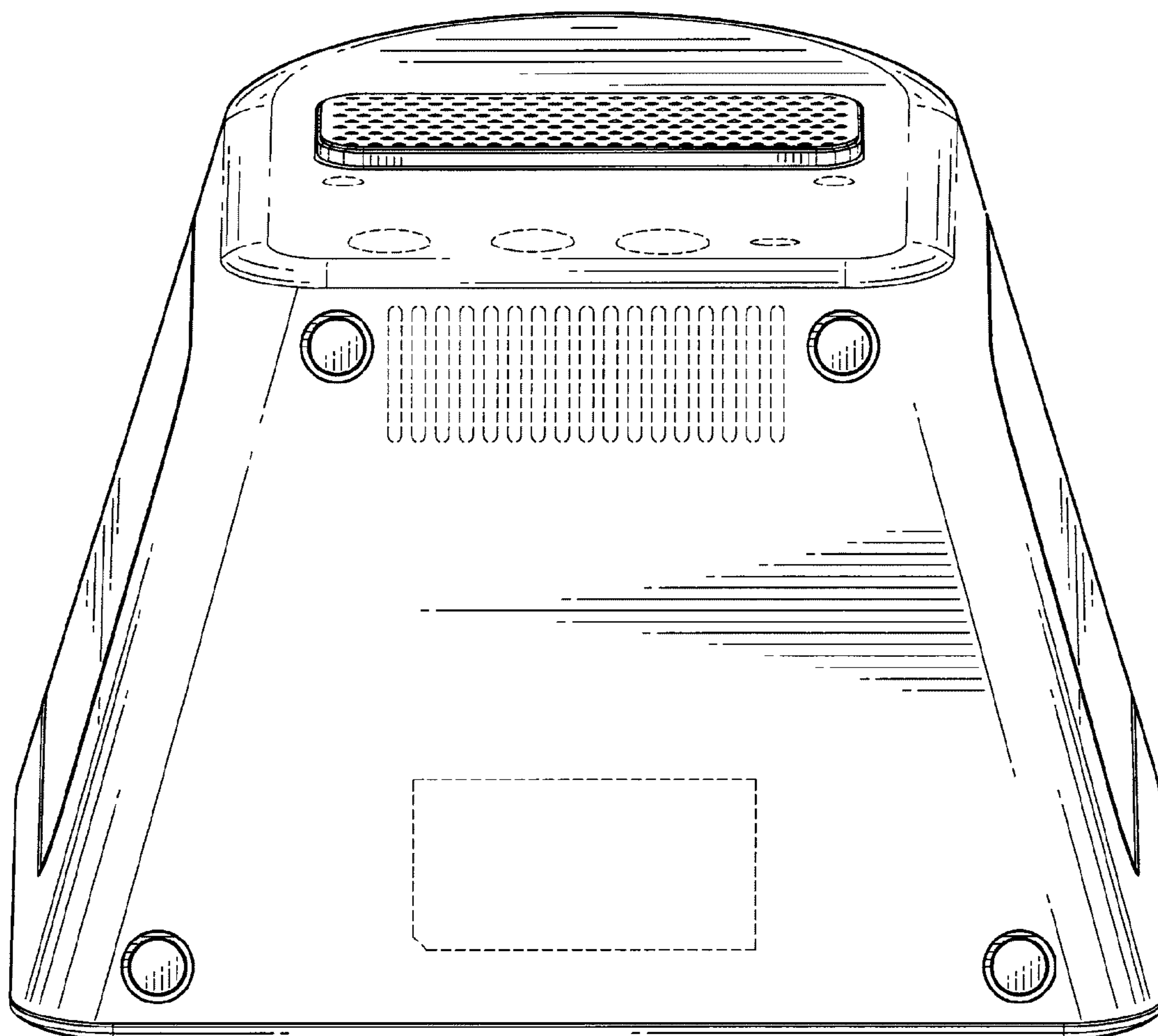


FIG. 5

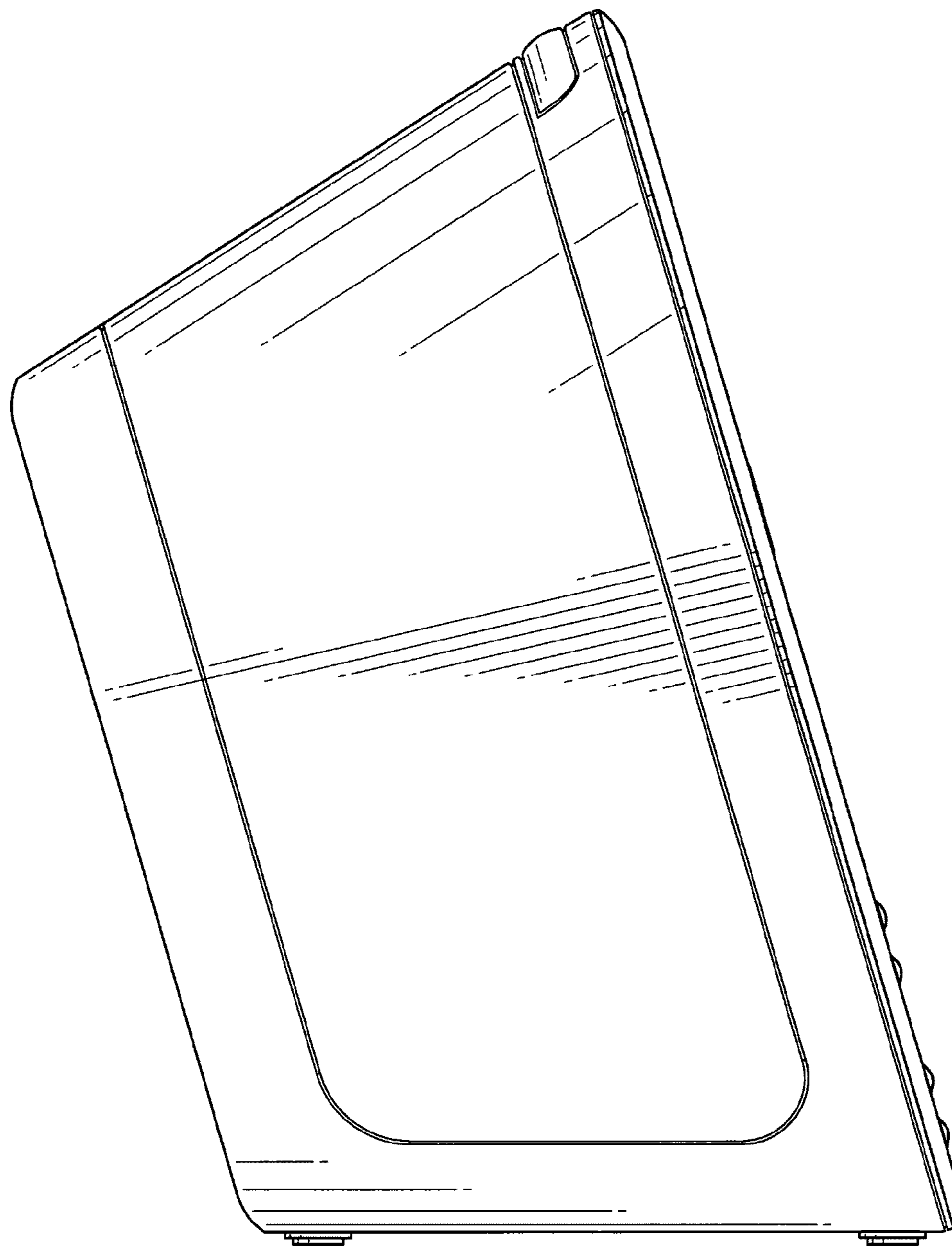


FIG. 6

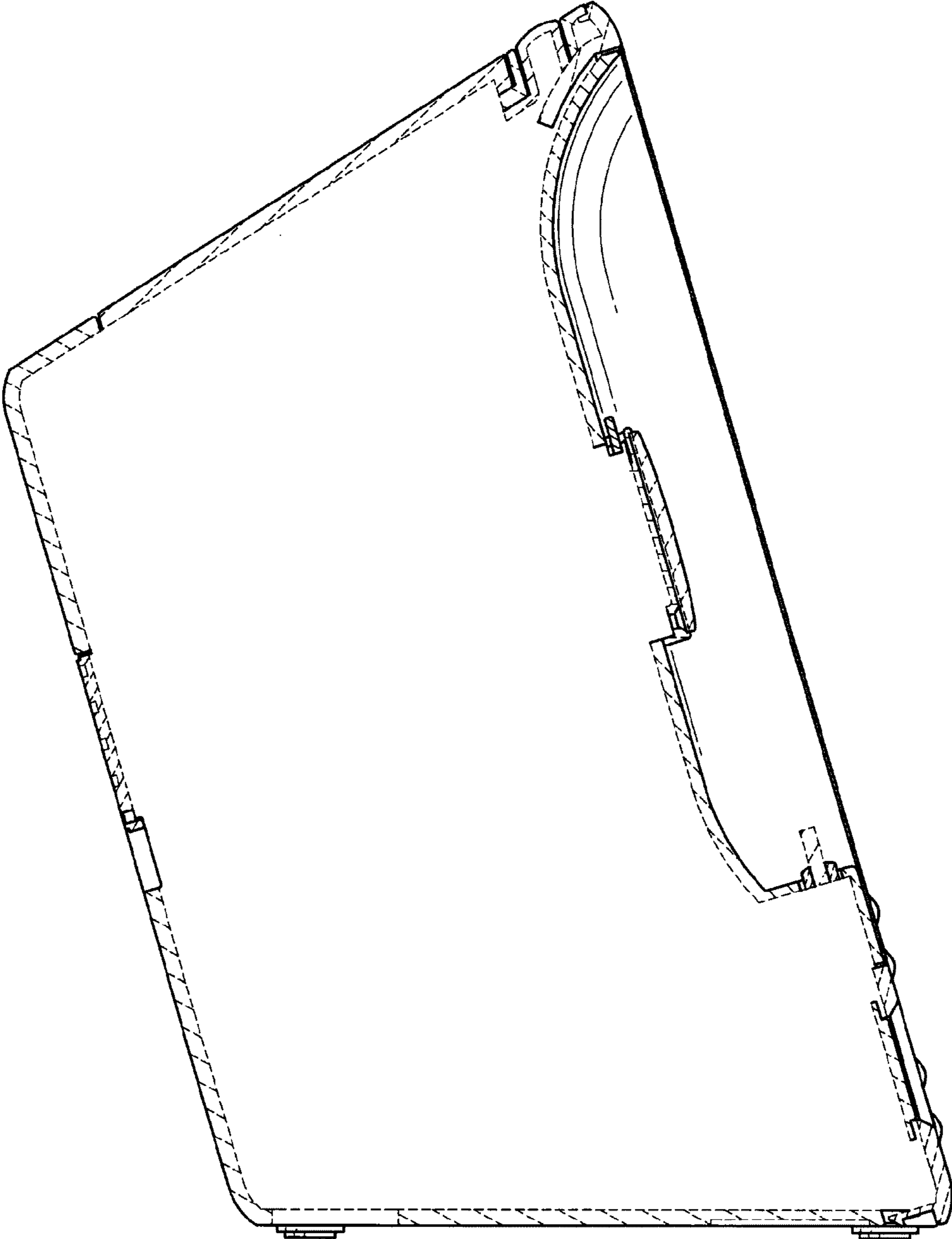


FIG. 7

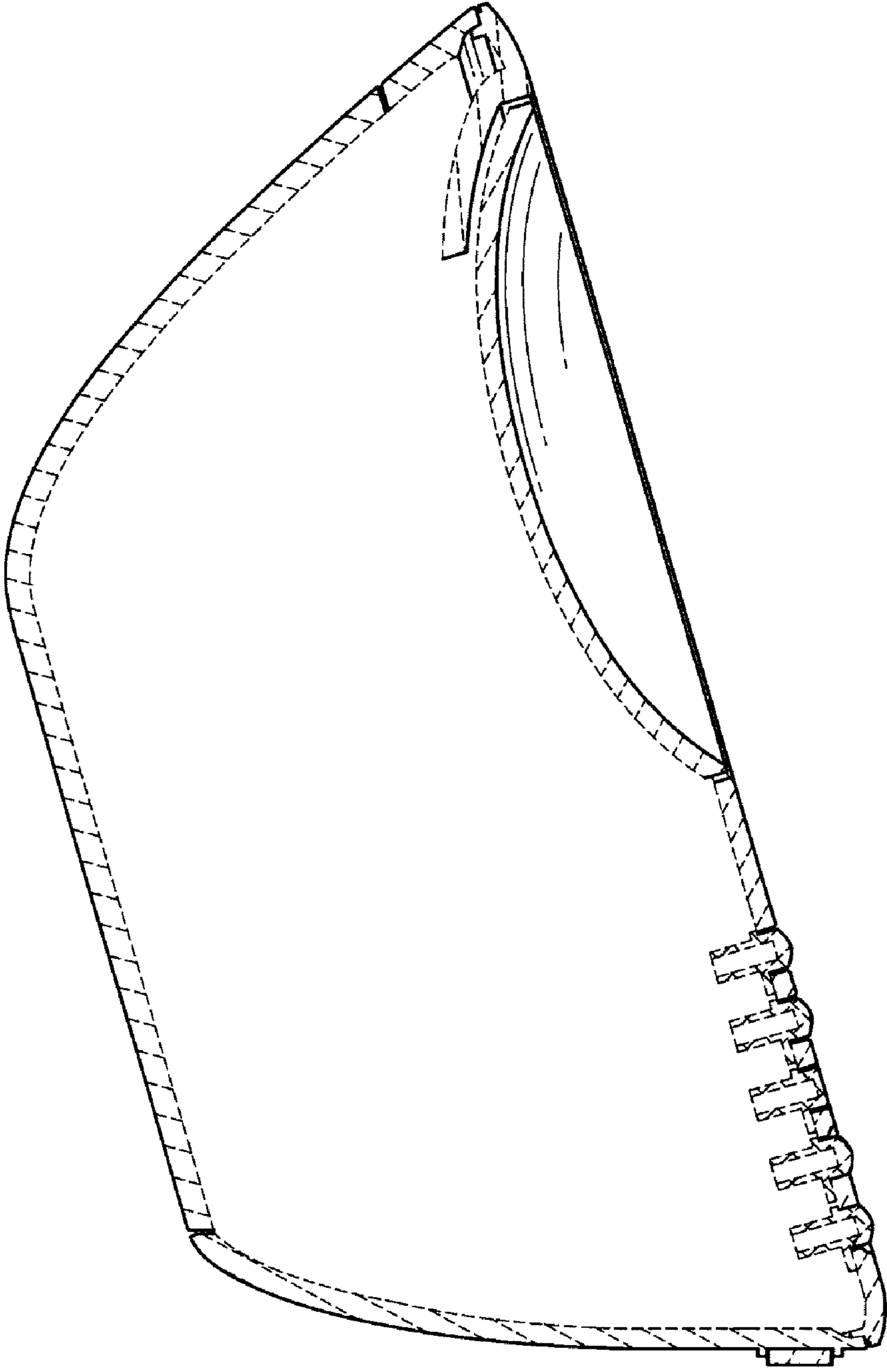


FIG. 8

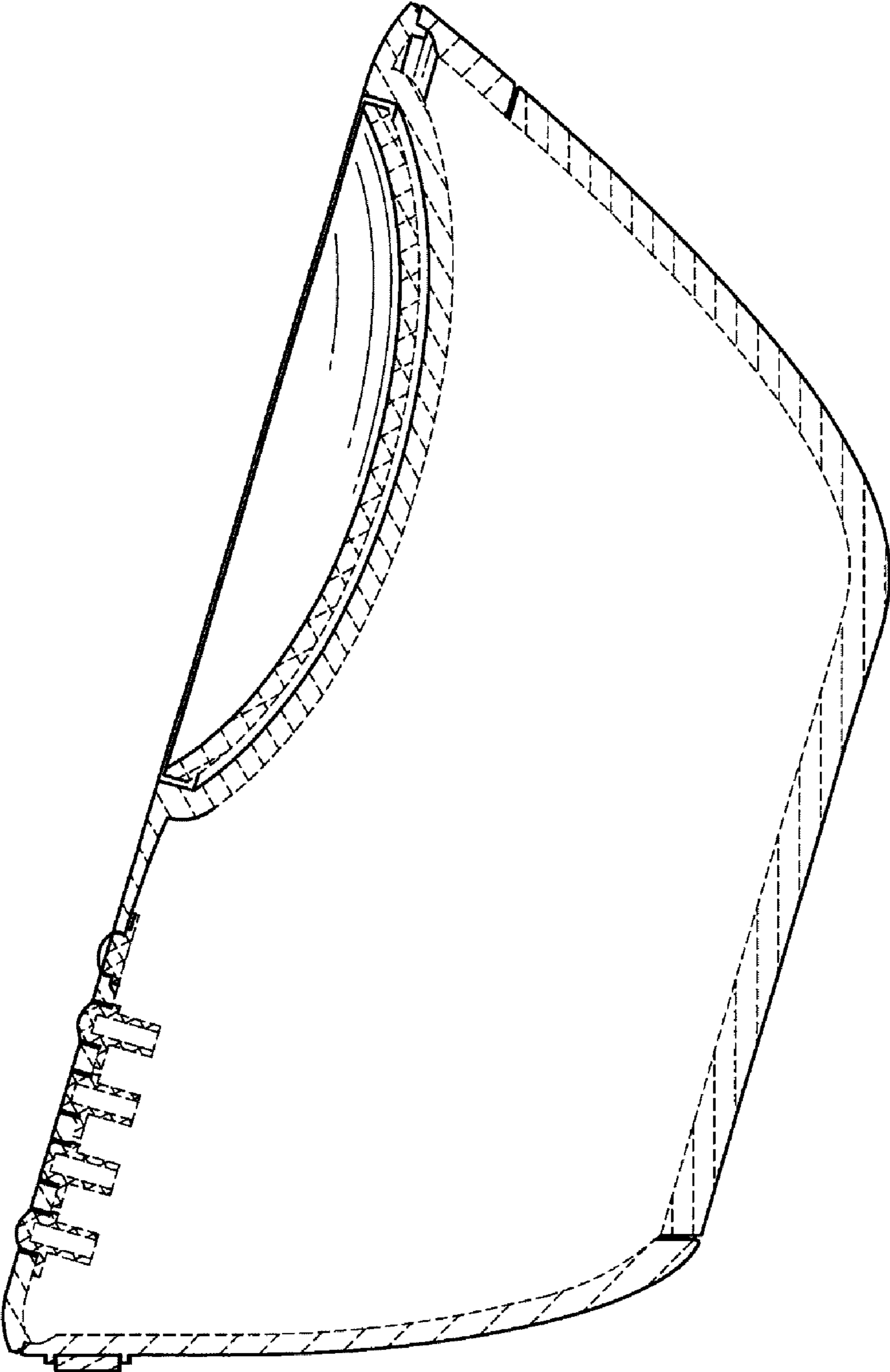


FIG. 9

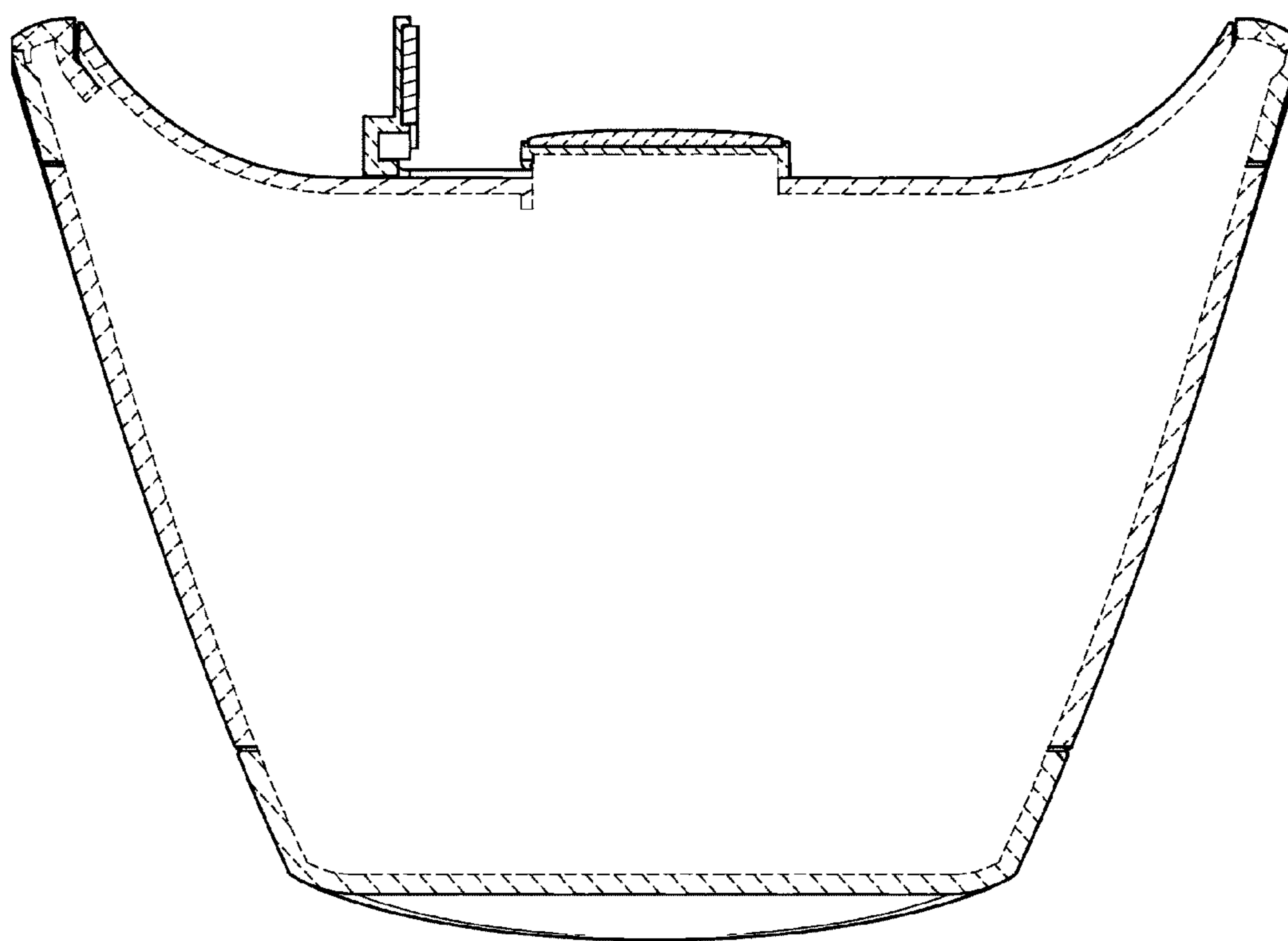


FIG. 10