



US00D645834S

(12) **United States Design Patent**  
**Lee et al.**

(10) **Patent No.:** **US D645,834 S**

(45) **Date of Patent:** **\*\* Sep. 27, 2011**

(54) **MOBILE PHONE**

(75) Inventors: **Ji-Young Lee**, Seoul (KR); **Min-Hyounk Lee**, Seoul (KR)

(73) Assignee: **Samsung Electronics Co., Ltd.** (KR)

(\*\*) Term: **14 Years**

(21) Appl. No.: **29/379,778**

(22) Filed: **Nov. 24, 2010**

(30) **Foreign Application Priority Data**

Oct. 14, 2010 (KR) ..... 30-2010-0044577

(51) **LOC (9) Cl.** ..... **14-03**

(52) **U.S. Cl.** ..... **D14/138 AD**

(58) **Field of Classification Search** ..... D14/138 R,  
D14/138 AD, 138 AC, 138 C, 138 G, 191,  
D14/203.1–203.8, 496, 138 AA, 138 AB,  
D14/137, 147, 218, 341–347, 247–248; D10/65,  
D10/78, 104; D13/168; D18/7; 455/566,  
455/575.1, 575.3, 575.4

See application file for complete search history.

(56) **References Cited**

U.S. PATENT DOCUMENTS

D548,214	S	*	8/2007	Kim et al.	.....	D14/138 AD
D562,295	S	*	2/2008	Lindner et al.	.....	D14/138 AB
D563,938	S	*	3/2008	Kim et al.	.....	D14/138 AD
D572,699	S	*	7/2008	Ahn et al.	.....	D14/138 G
D576,141	S	*	9/2008	Moon et al.	.....	D14/138 G
D580,900	S	*	11/2008	Wong et al.	.....	D14/138 AA
D587,671	S	*	3/2009	Park et al.	.....	D14/138 AD
D601,990	S	*	10/2009	Kim et al.	.....	D14/138 AD
D602,460	S	*	10/2009	Kim et al.	.....	D14/138 AD
D603,355	S	*	11/2009	Tkachuk	.....	D14/138 AD
D607,858	S	*	1/2010	Millora	.....	D14/138 AD
D609,210	S	*	2/2010	Sohn et al.	.....	D14/138 AD
D612,824	S	*	3/2010	Kim et al.	.....	D14/138 AD
D615,940	S	*	5/2010	Kim et al.	.....	D14/138 AA
D616,858	S	*	6/2010	Chang	.....	D14/138 AD
D617,758	S	*	6/2010	Zhao	.....	D14/138 AD

D624,042	S	*	9/2010	Lee et al.	.....	D14/138 AD
D624,046	S	*	9/2010	Lee et al.	.....	D14/138 G
D628,548	S	*	12/2010	Park et al.	.....	D14/138 G
D633,065	S	*	2/2011	Kim et al.	.....	D14/138 AD
2006/0205450	A1	*	9/2006	Amano et al.	.....	455/575.4

OTHER PUBLICATIONS

Acer DX900, announced Feb. 2009, [online], [retrieved on Oct. 28, 2009]. Retrieved from Internet ,<URL: <http://www.gsmarena.com>>.\*

Spice Mi-300, announced Aug. 2010, [online], [retrieved on Jan. 7, 2011]. Retrieved from Internet ,<URL: <http://www.gsmarena.com>>.\*

Samsung T749 Highlight, announced Jun. 2009, [online], [retrieved on Jul. 20, 2009]. Retrieved from Internet ,<URL: <http://www.gsmarena.com>>.\*

\* cited by examiner

*Primary Examiner* — Bridget L Eland

(74) *Attorney, Agent, or Firm* — NSIP Law

(57) **CLAIM**

The ornamental design for a mobile phone, as shown and described.

**DESCRIPTION**

FIG. 1 is a perspective view of a mobile phone;  
FIG. 2 is a front view of the mobile phone of FIG. 1;  
FIG. 3 is a rear view of the mobile phone of FIG. 1;  
FIG. 4 is a left-side view of the mobile phone of FIG. 1;  
FIG. 5 is a right-side view of the mobile phone of FIG. 1;  
FIG. 6 is a top plan view of the mobile phone of FIG. 1;  
FIG. 7 is a bottom plan view of the mobile phone of FIG. 1;  
and,

FIG. 8 is an open view of the mobile phone of FIG. 1.

The evenly spaced broken lines immediately adjacent the shaded areas represent the bounds of the claimed design while all other broken lines are directed to environment and are for illustrative purposes only; the broken lines form no part of the claimed design.

**1 Claim, 6 Drawing Sheets**

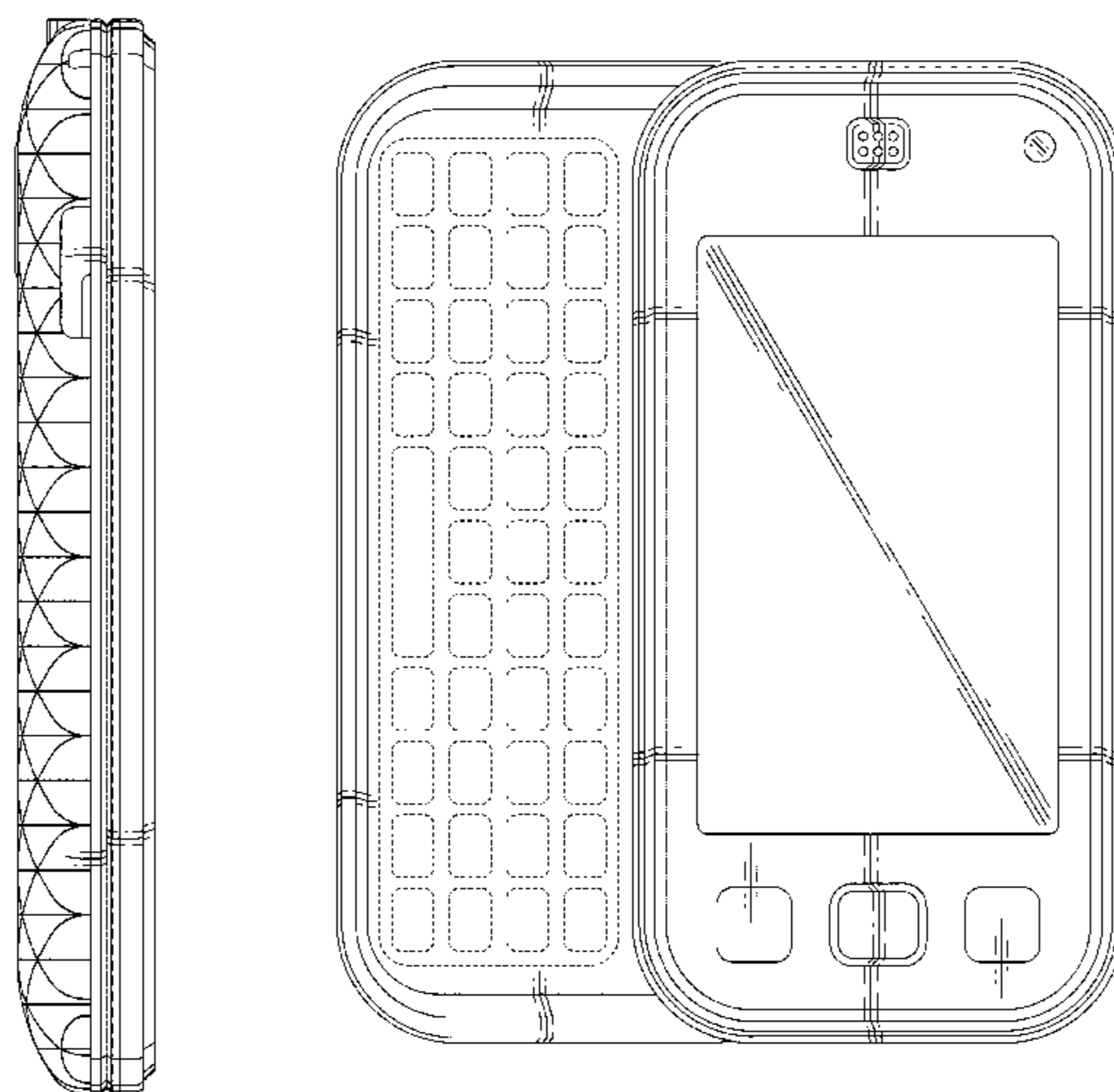


FIG. 1

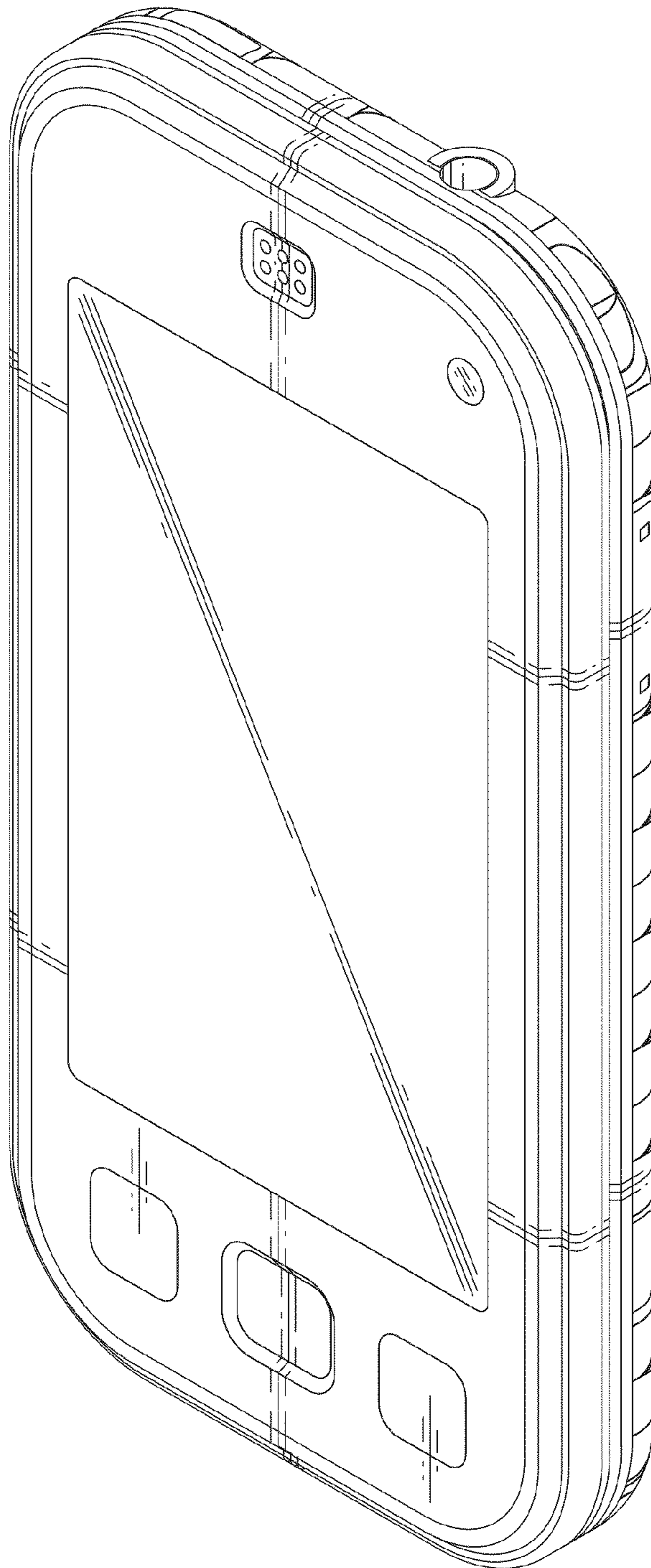


FIG. 2

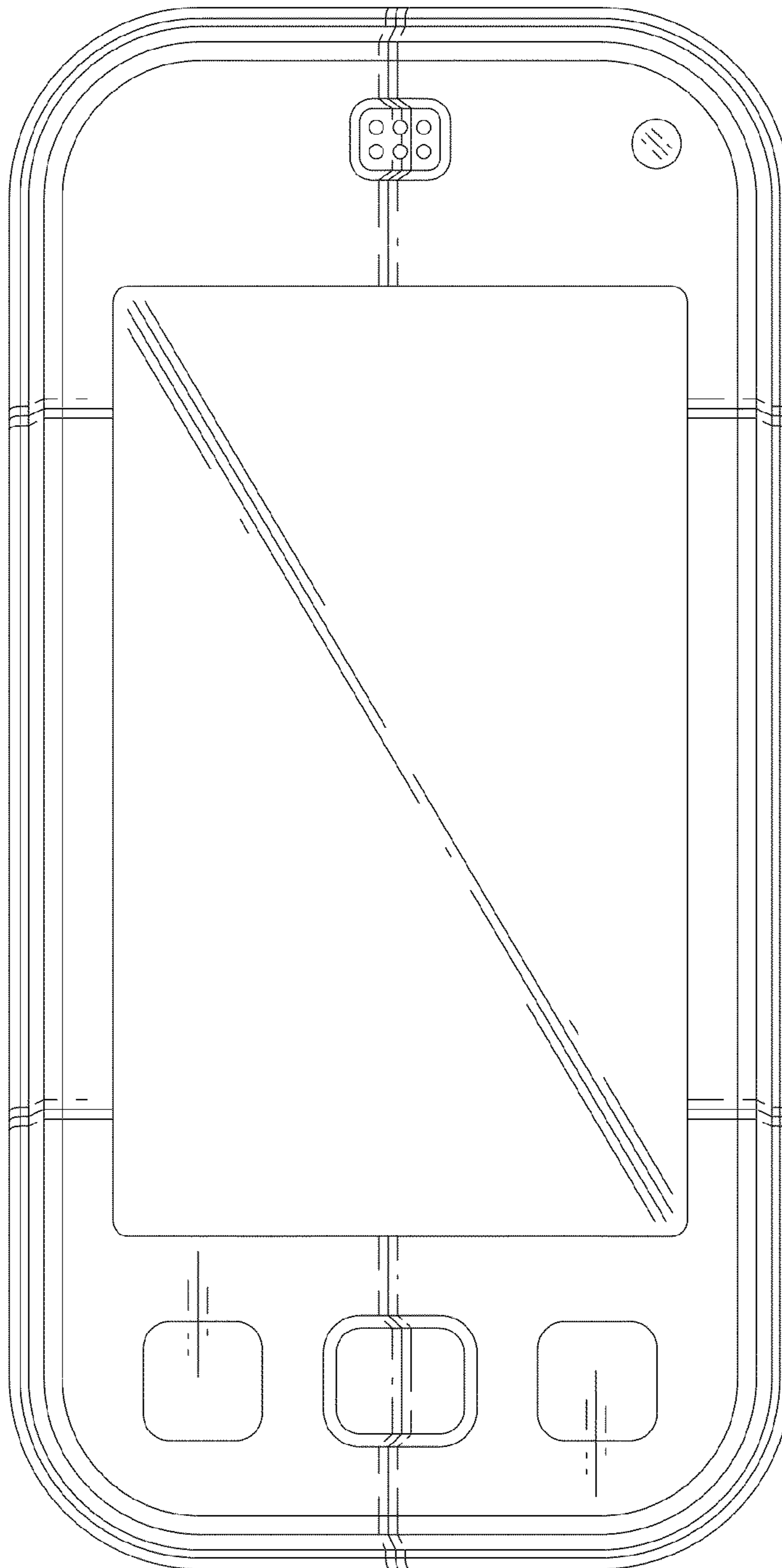


FIG. 3

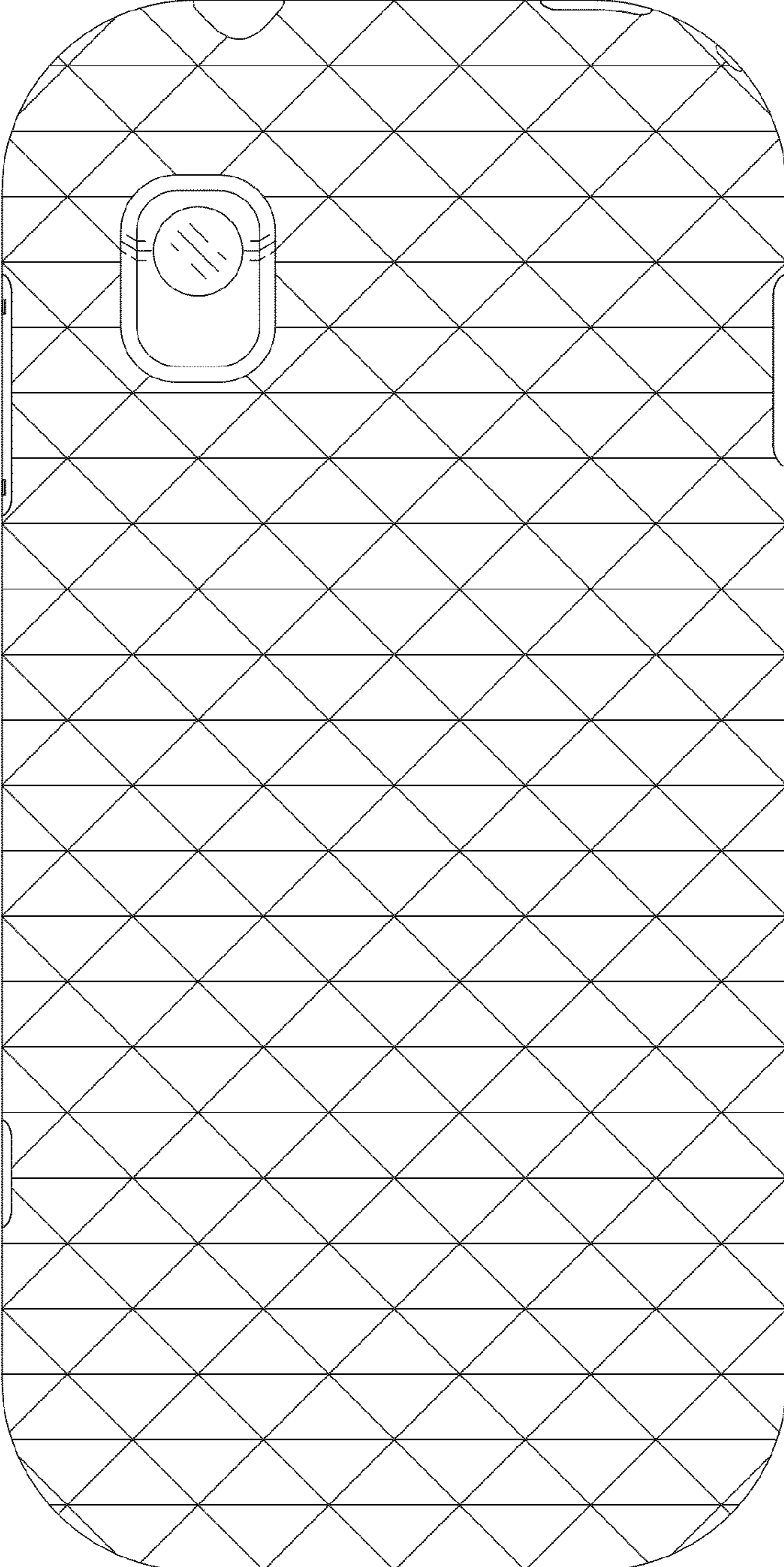


FIG. 4

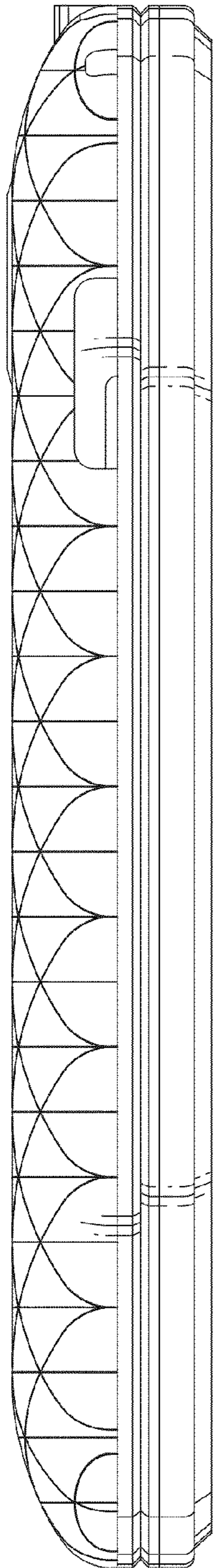


FIG. 5

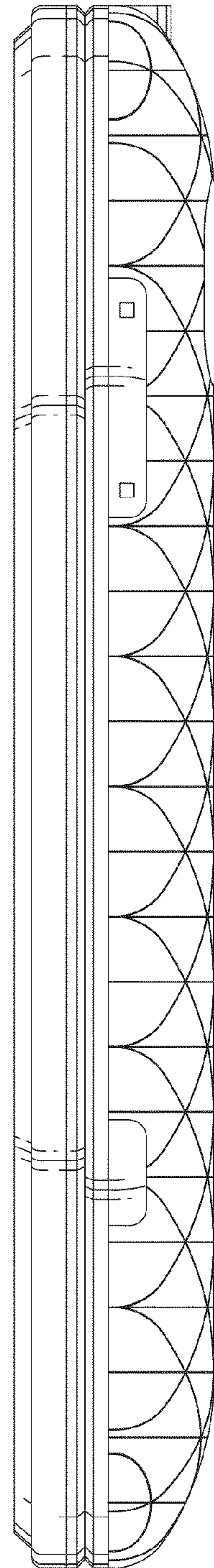


FIG. 6

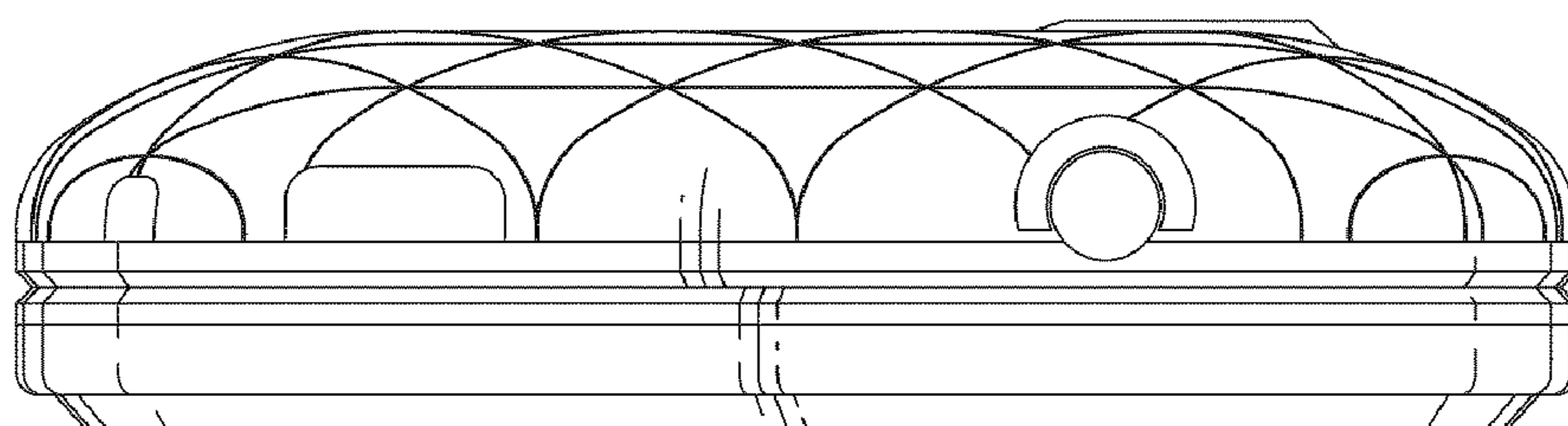


FIG. 7

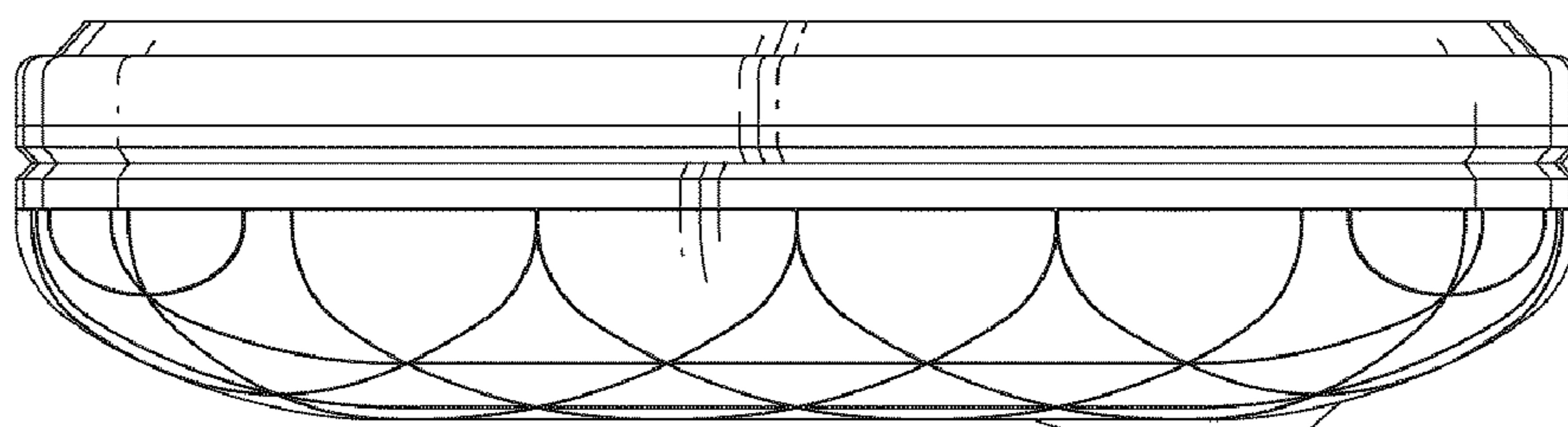


FIG. 8

