



US00D645832S

(12) **United States Design Patent**  
**Woo et al.**

(10) **Patent No.:** **US D645,832 S**

(45) **Date of Patent:** **\*\* Sep. 27, 2011**

(54) **DVD PLAYER**

(75) Inventors: **Gang Ho Woo**, Seoul (KR); **Hong Youl Choi**, Seoul (KR)

(73) Assignee: **LG Electronics Inc.**, Seoul (KR)

(\*\*) Term: **14 Years**

(21) Appl. No.: **29/363,930**

(22) Filed: **Jun. 16, 2010**

(30) **Foreign Application Priority Data**

Dec. 18, 2009 (KR) ..... 30-2009-0055996

(51) **LOC (9) Cl.** ..... **14-03**

(52) **U.S. Cl.** ..... **D14/132**

(58) **Field of Classification Search** ..... D14/125-134,  
D14/239, 371, 136, 374-377, 440, 450, 448,  
D14/336, 342; 312/7.2; 348/836, 838, 180,  
348/184, 325, 739; 341/12; 248/917-924,  
248/465; 345/104, 133, 156, 168, 87, 173;  
720/605, 669, 600, 655; 369/99, 197; 455/344-347;  
D21/329, 515, 577, 622, 333, 433, 448, 452,  
D21/450, 331; D6/477, 479, 300; 273/148 B;  
446/484, 175, 356; D10/15, 26

See application file for complete search history.

(56) **References Cited**

U.S. PATENT DOCUMENTS

D507,548 S *	7/2005	Peng	.....	D14/129
D519,476 S *	4/2006	Peng	.....	D14/129
D535,956 S *	1/2007	Peng	.....	D14/132
D540,763 S *	4/2007	Liang et al.	.....	D14/129
D553,591 S *	10/2007	Yanaura et al.	.....	D14/132
D568,272 S *	5/2008	Leung	.....	D14/132
D568,273 S *	5/2008	Lee	.....	D14/132
D589,480 S *	3/2009	Jobetto	.....	D14/132
D640,656 S *	6/2011	Woo et al.	.....	D14/132

\* cited by examiner

*Primary Examiner* — Raphael Barkai

(74) *Attorney, Agent, or Firm* — Morgan, Lewis & Bockius LLP

(57) **CLAIM**

The ornamental design for a DVD player, as shown and described.

**DESCRIPTION**

FIG. 1 is a top, front, perspective view of a DVD player showing our new design;  
FIG. 2 is a front view thereof;  
FIG. 3 is a rear view thereof;  
FIG. 4 is a left side view thereof;  
FIG. 5 is a right side view thereof;  
FIG. 6 is a top view thereof; and  
FIG. 7 is a bottom view thereof; and,  
FIG. 8 is a reference view thereof.

**1 Claim, 4 Drawing Sheets**

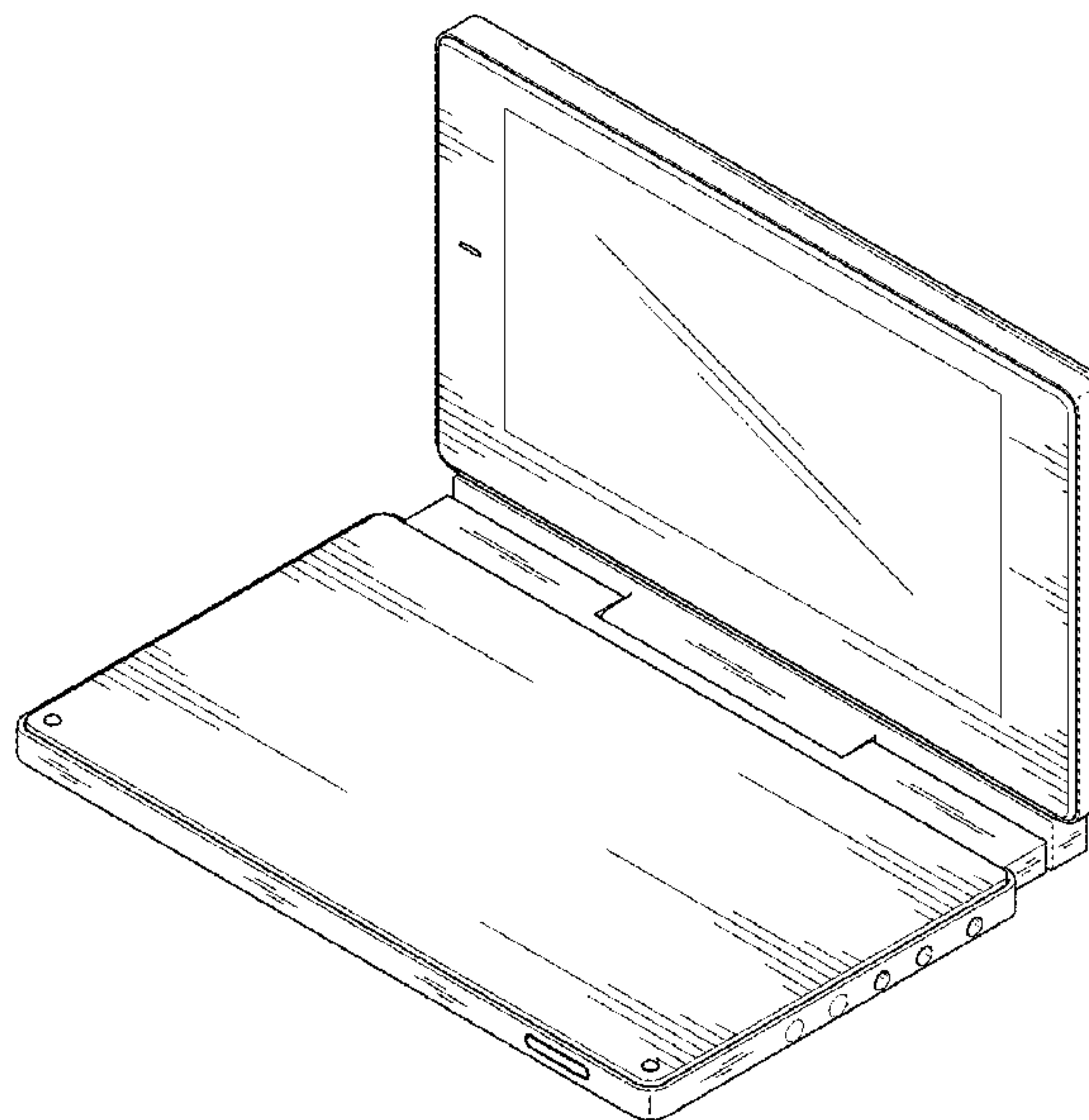
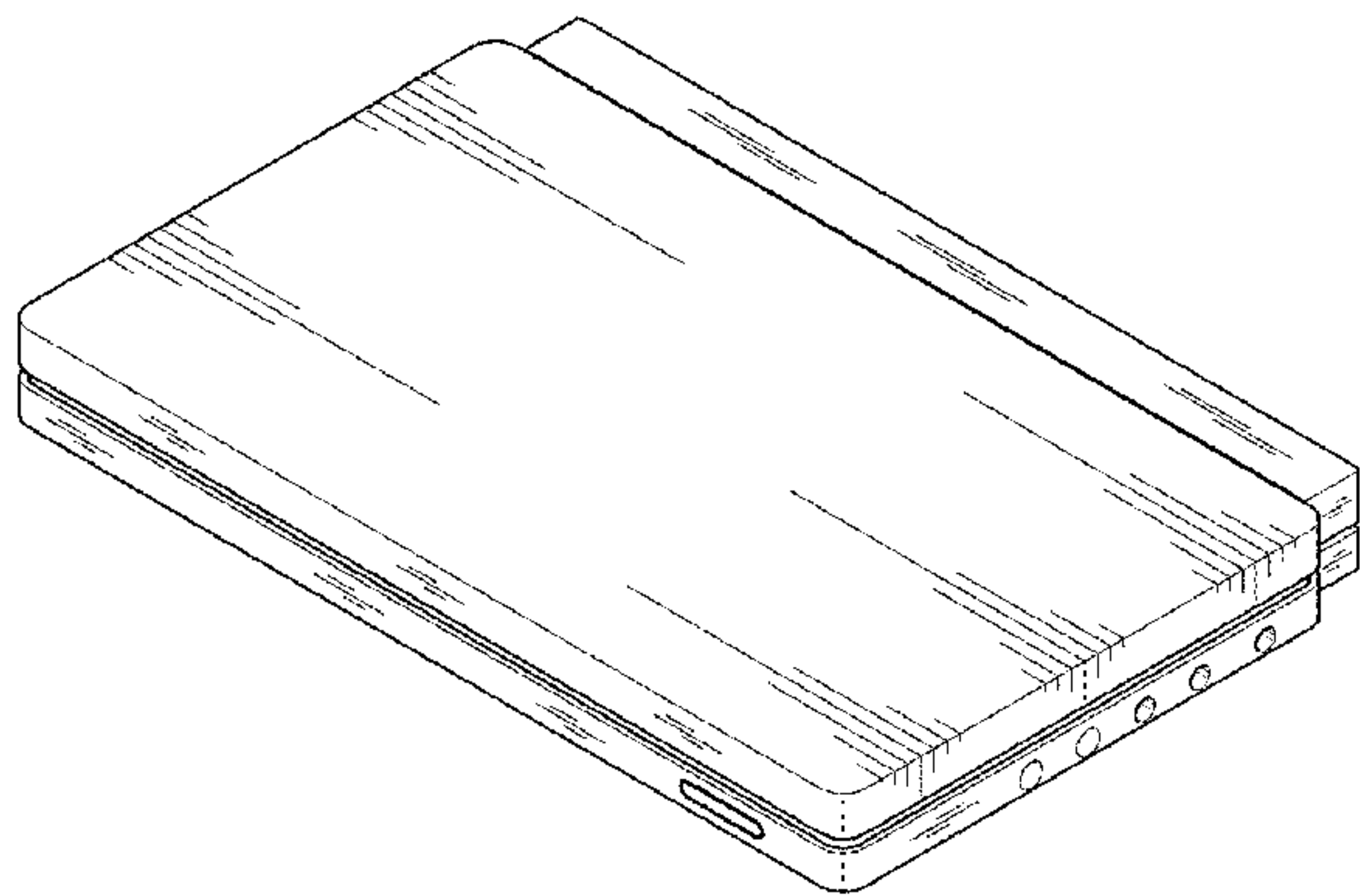


FIG. 1

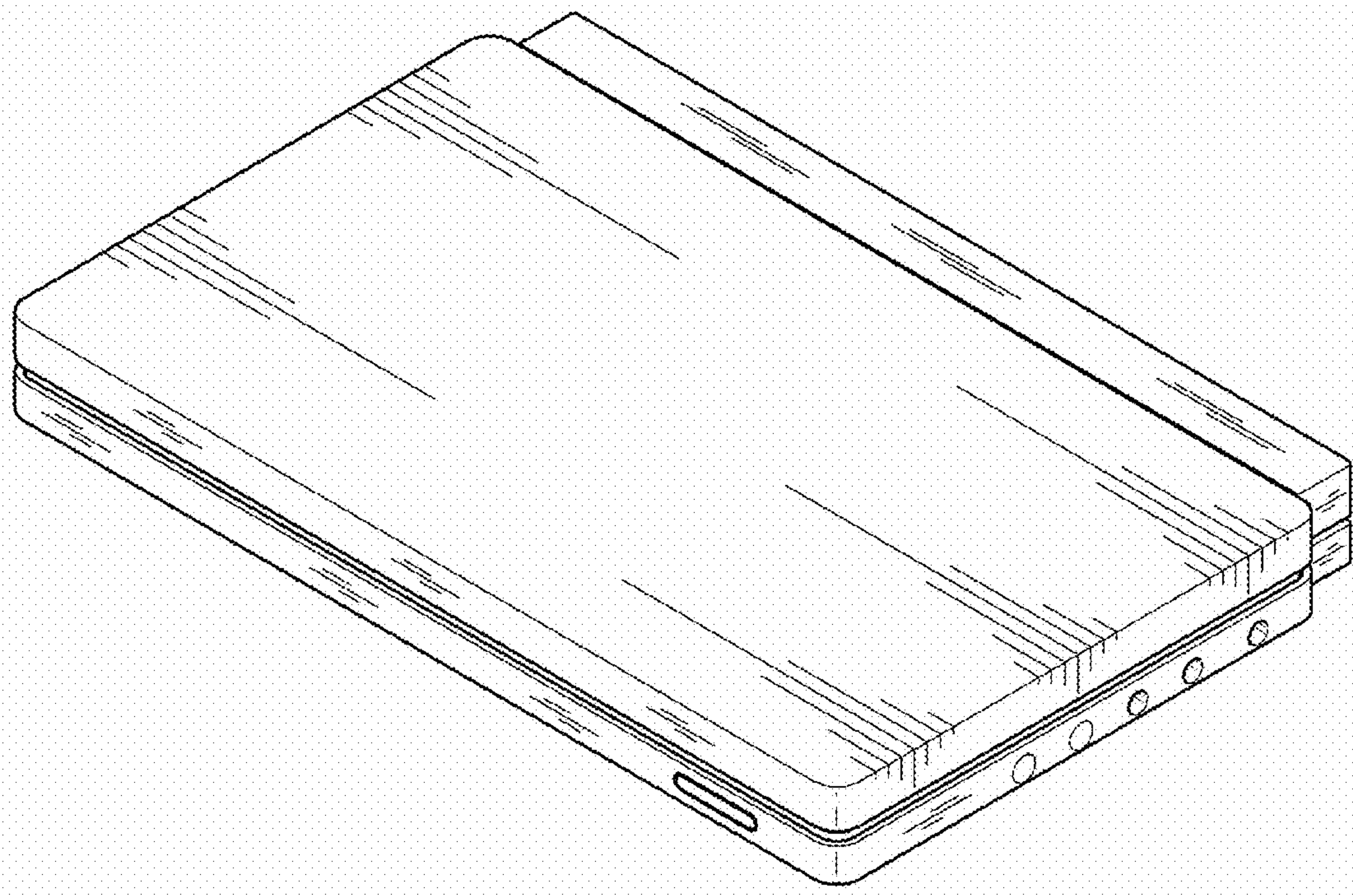


FIG. 2

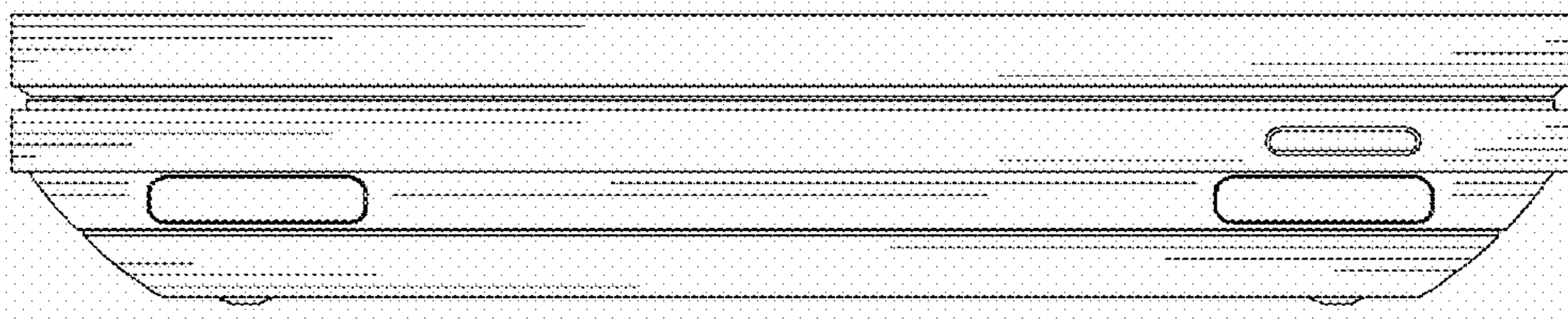


FIG. 3

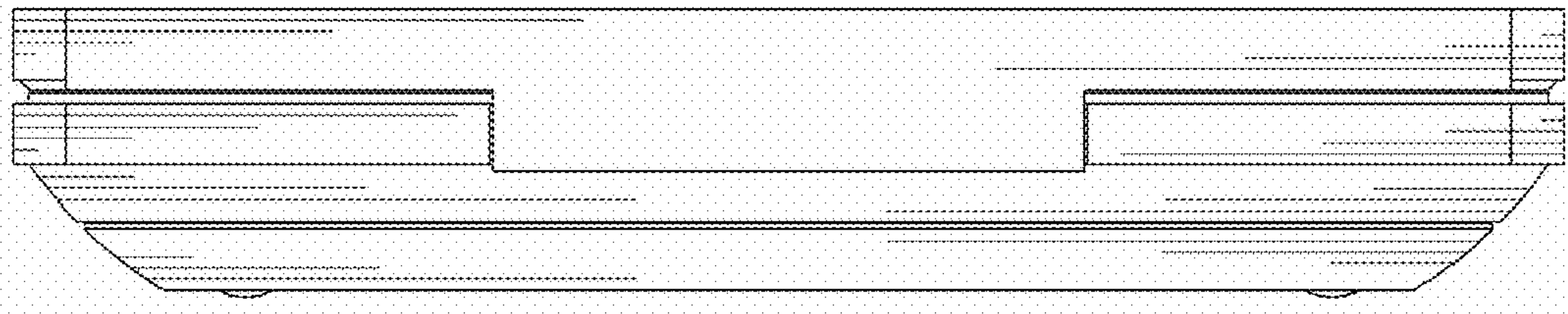


FIG. 4

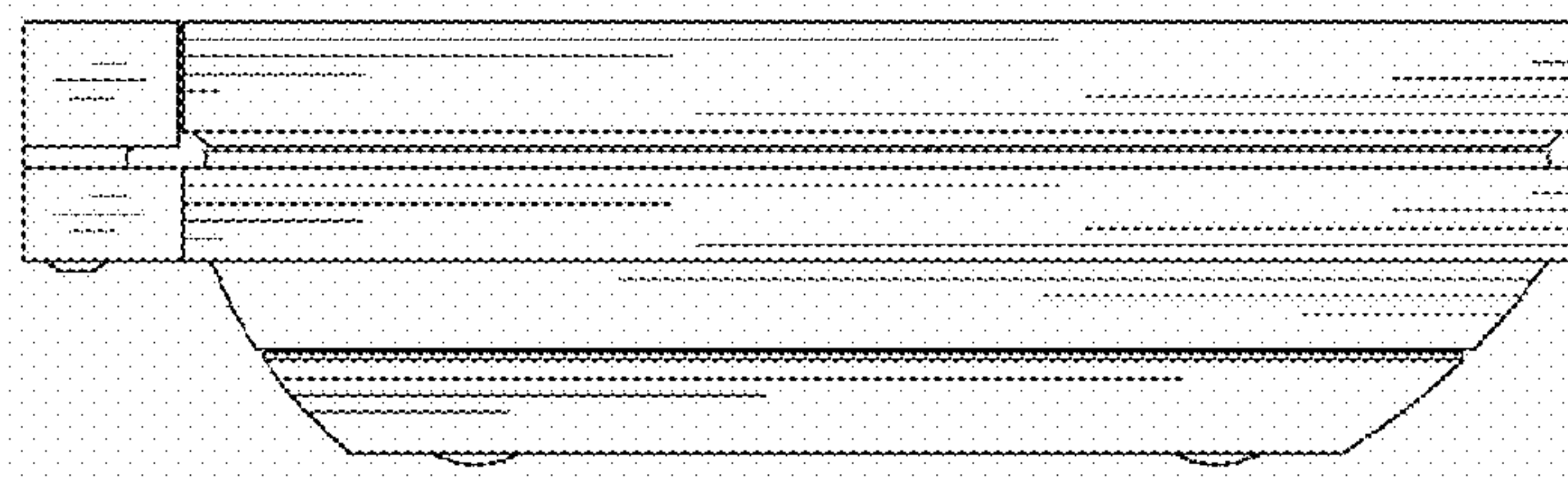


FIG. 5

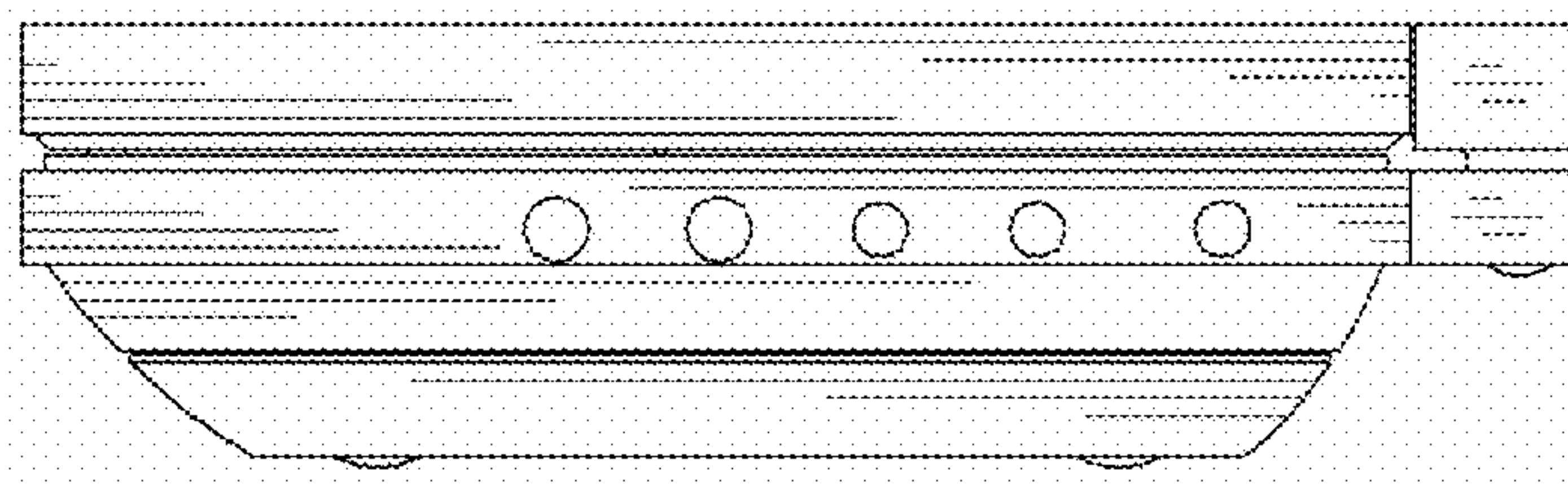




FIG. 6

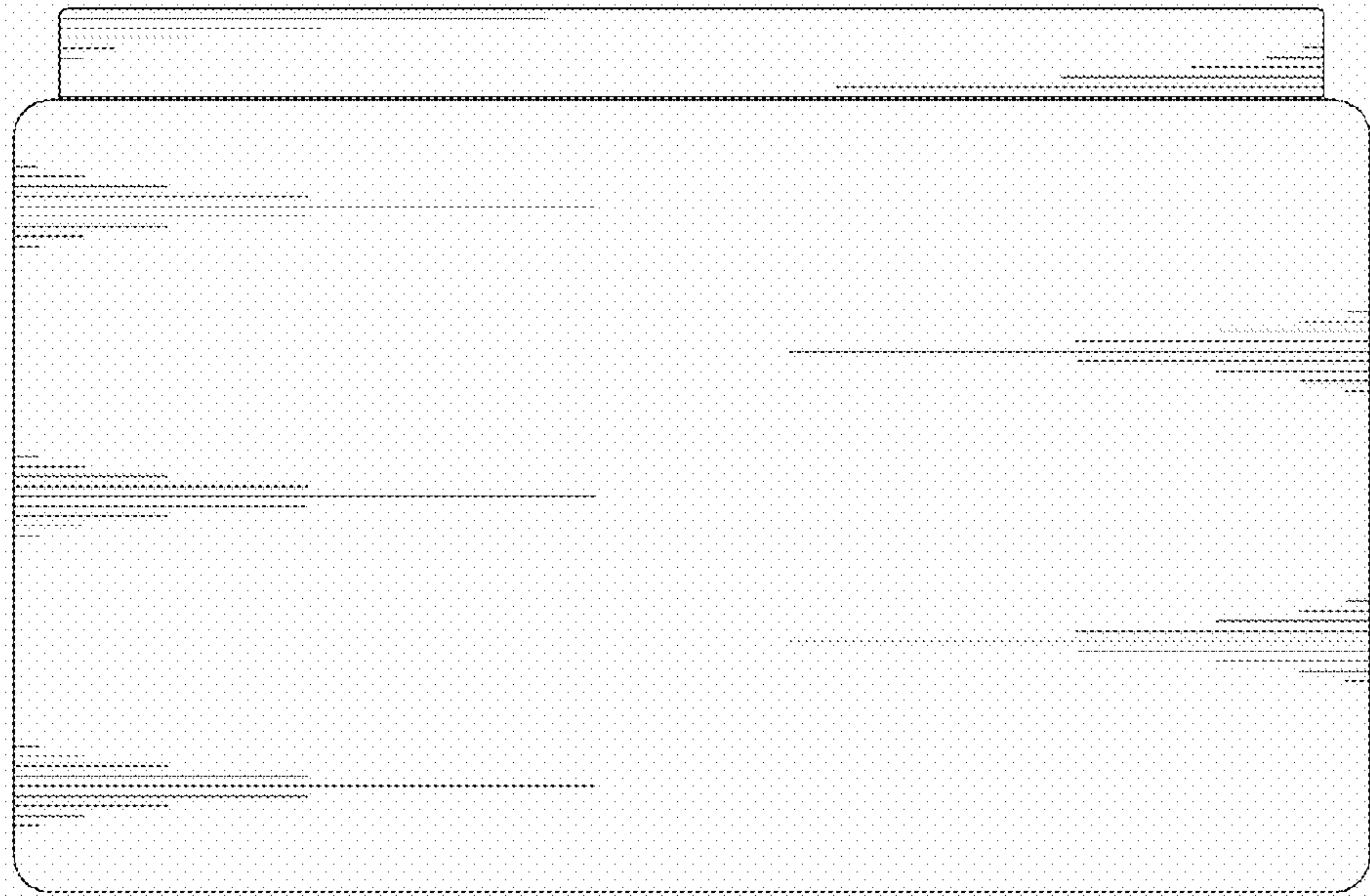


FIG. 7

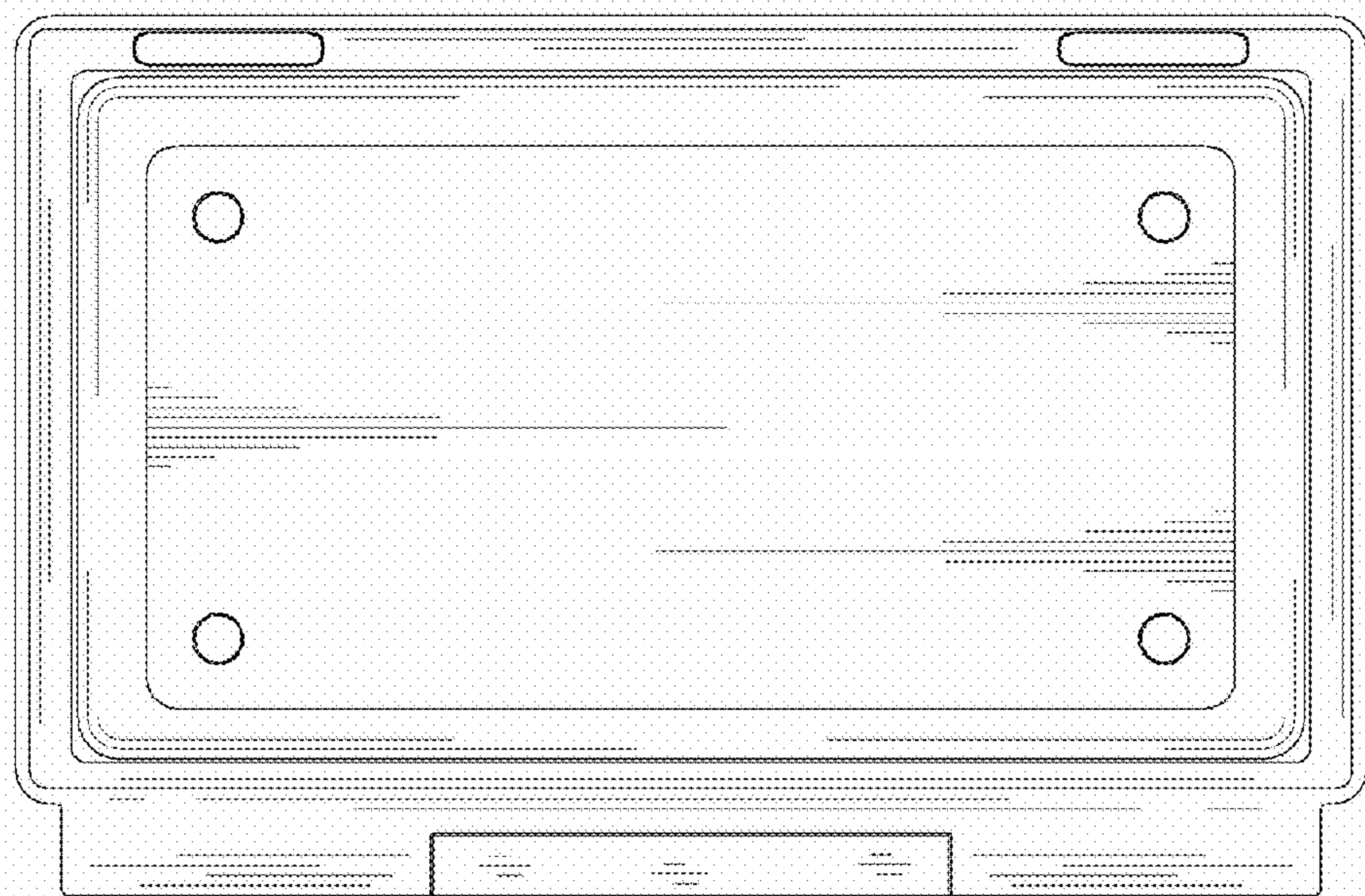


FIG. 8

