



US00D645830S

(12) **United States Design Patent**  
**Lo et al.**

(10) **Patent No.:** **US D645,830 S**  
(45) **Date of Patent:** **\*\* Sep. 27, 2011**

(54) **HOUSING FOR LIGHT EMITTING DIODE**

(75) Inventors: **Hsing-Fen Lo**, Hsinchu (TW);  
**Chih-Hsun Ke**, Hsinchu (TW);  
**Shiun-Wei Chan**, Hsinchu (TW)

(73) Assignee: **Advanced Optoelectronic Technology, Inc.**, Hsinchu Hsien (TW)

(\*\*) Term: **14 Years**

(21) Appl. No.: **29/383,833**

(22) Filed: **Jan. 22, 2011**

(51) **LOC (9) Cl.** ..... **13-03**

(52) **U.S. Cl.** ..... **D13/180**

(58) **Field of Classification Search** ..... D13/180;  
D26/1, 2; 257/79, 80, 81, 88, 89, 95, 98,  
257/99, 100, E33.058; 313/483, 498, 500;  
362/555, 800

See application file for complete search history.

(56) **References Cited**

**U.S. PATENT DOCUMENTS**

D500,292 S	*	12/2004	Ishida	.....	D13/180
D518,449 S	*	4/2006	Ishida	.....	D13/180
D550,170 S	*	9/2007	Yoon et al.	.....	D13/180
D551,181 S	*	9/2007	Son	.....	D13/180

D566,664 S	*	4/2008	Kong	.....	D13/180
D573,549 S	*	7/2008	Kong	.....	D13/180
D593,515 S	*	6/2009	Nakagawa	.....	D13/180
D597,967 S	*	8/2009	Im	.....	D13/180
D599,304 S	*	9/2009	Kim et al.	.....	D13/180
D602,447 S	*	10/2009	Sheng et al.	.....	D13/180
D622,231 S	*	8/2010	Sung	.....	D13/180
7,859,004 B2	*	12/2010	Yamamoto	.....	257/99
7,982,235 B2	*	7/2011	Asakawa et al.	.....	257/99
2004/0046242 A1	*	3/2004	Asakawa	.....	257/678
2010/0301376 A1	*	12/2010	Kim et al.	.....	257/99

\* cited by examiner

*Primary Examiner* — Selina Sikder

(74) *Attorney, Agent, or Firm* — Altis Law Group, Inc.

(57) **CLAIM**

The ornamental design for a housing for light emitting diode, as shown.

**DESCRIPTION**

FIG. 1 is a perspective view of a housing for light emitting diode showing our new design.

FIG. 2 is a front elevational view thereof.

FIG. 3 is a rear elevational view thereof.

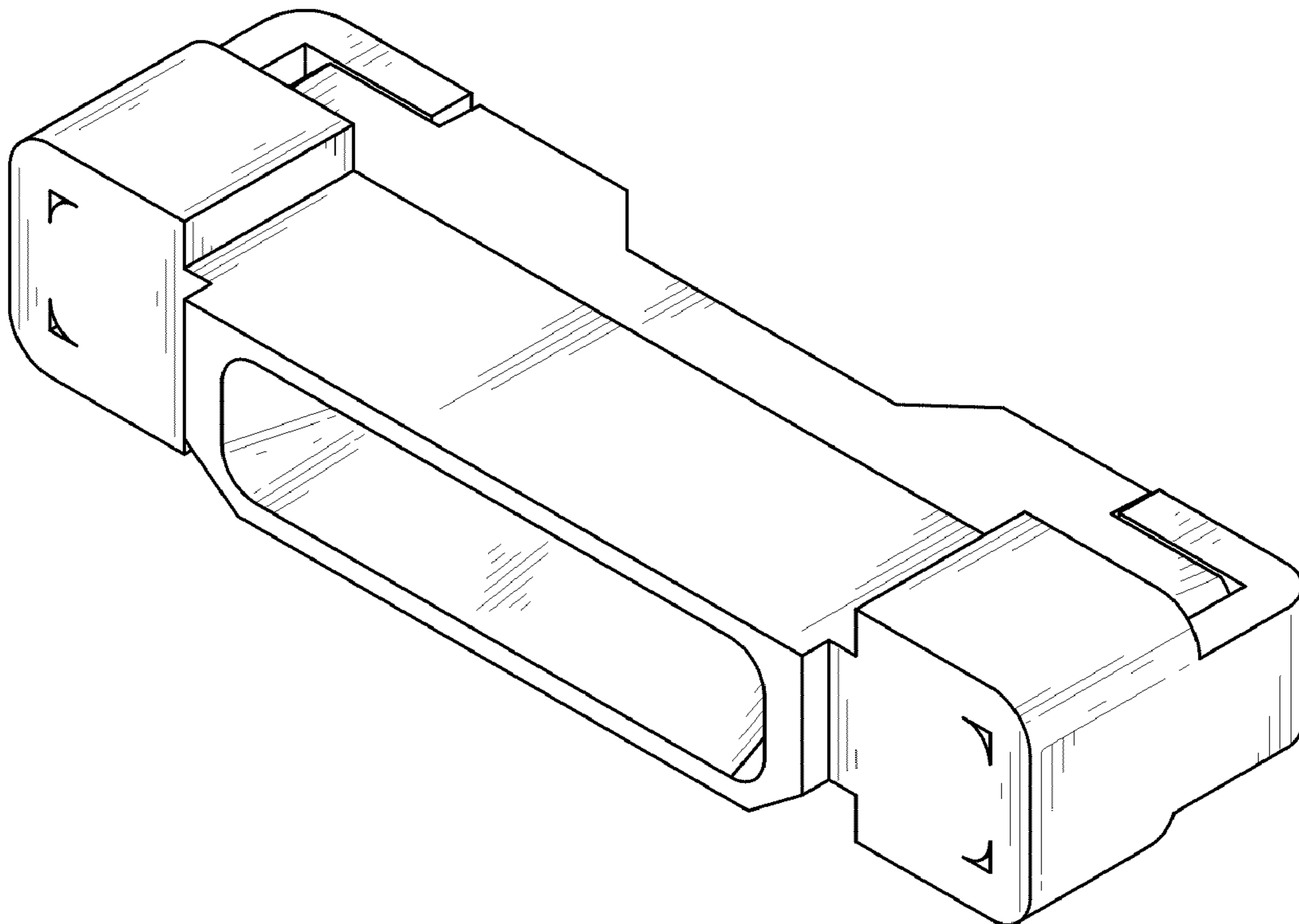
FIG. 4 is a left-side, elevational view thereof.

FIG. 5 is a right-side, elevational view thereof.

FIG. 6 is a top plan view thereof; and,

FIG. 7 is a bottom plan view thereof.

**1 Claim, 7 Drawing Sheets**



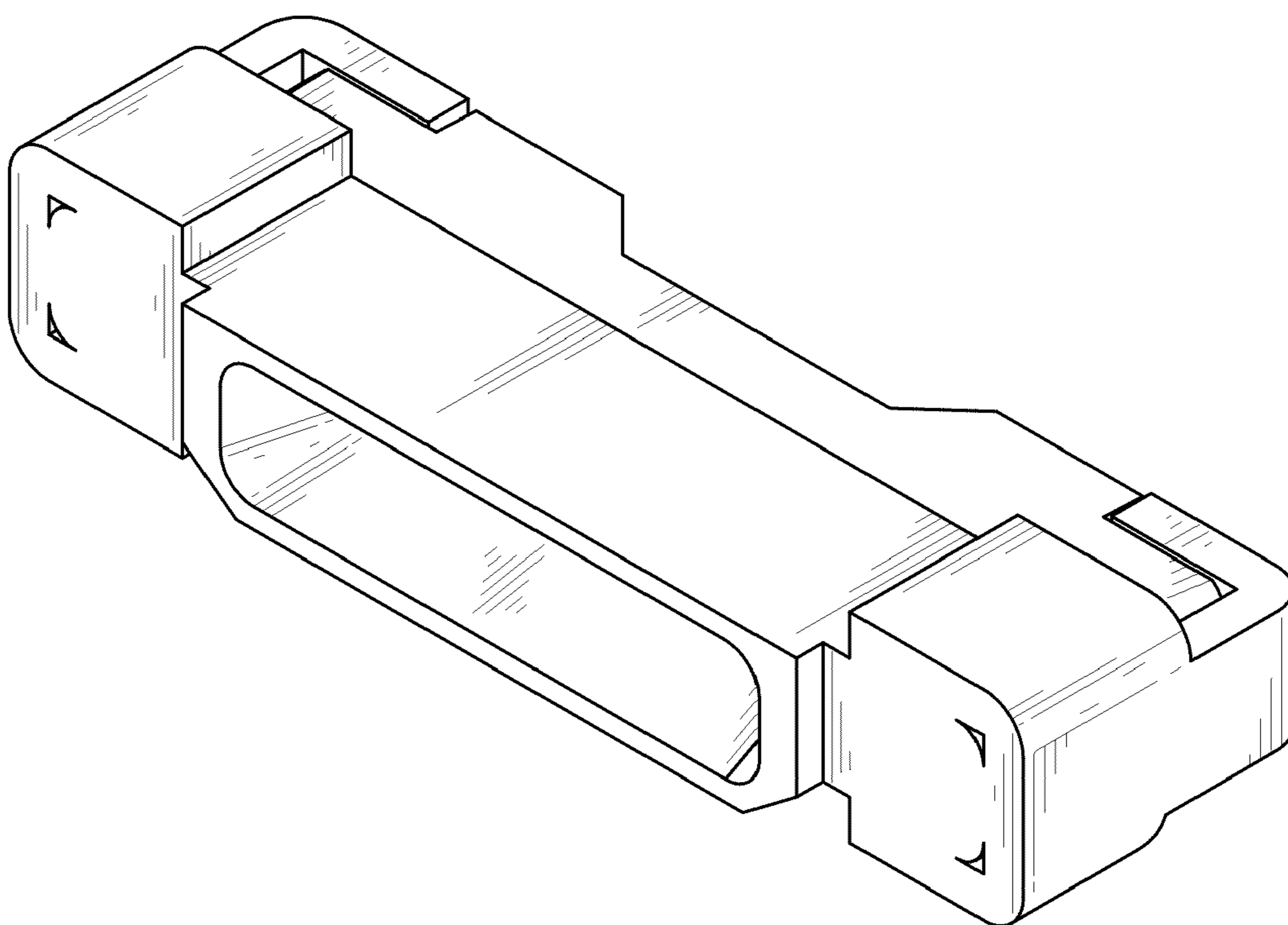


FIG. 1

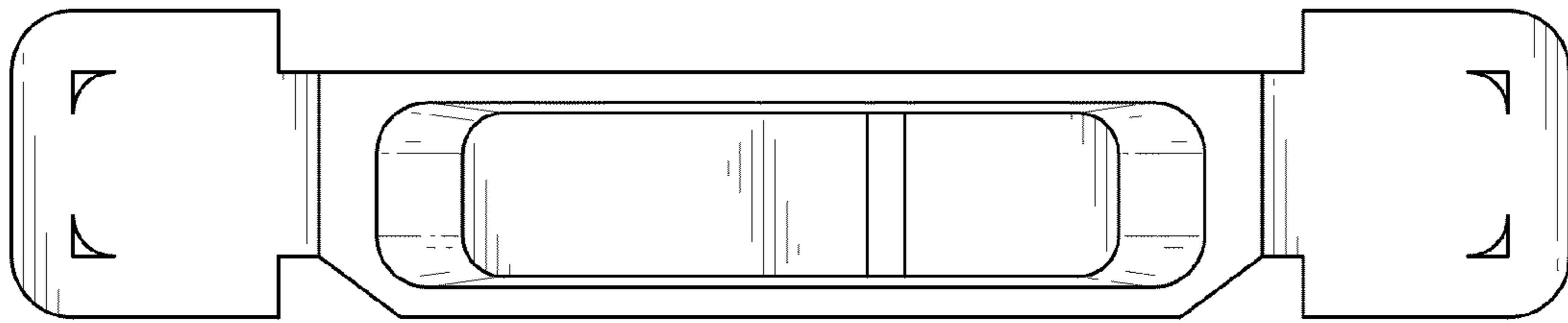


FIG. 2

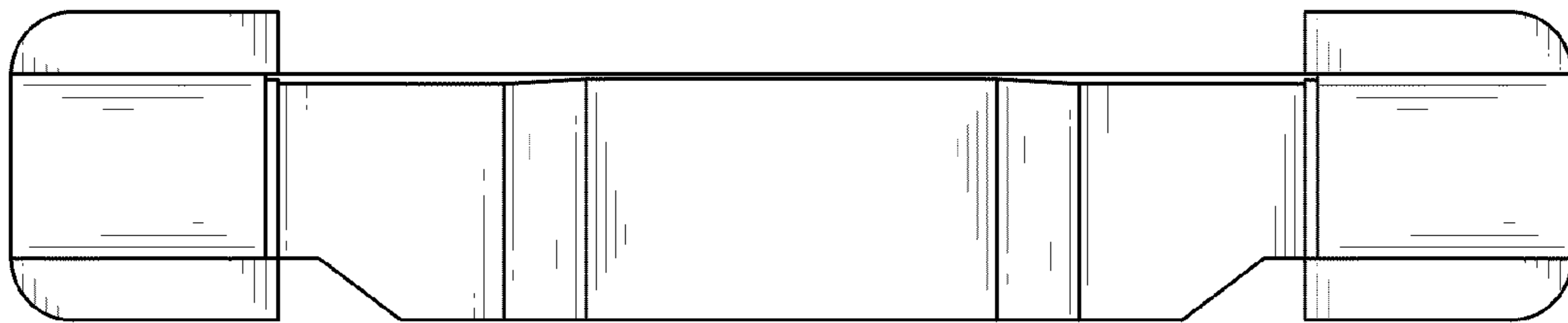


FIG. 3

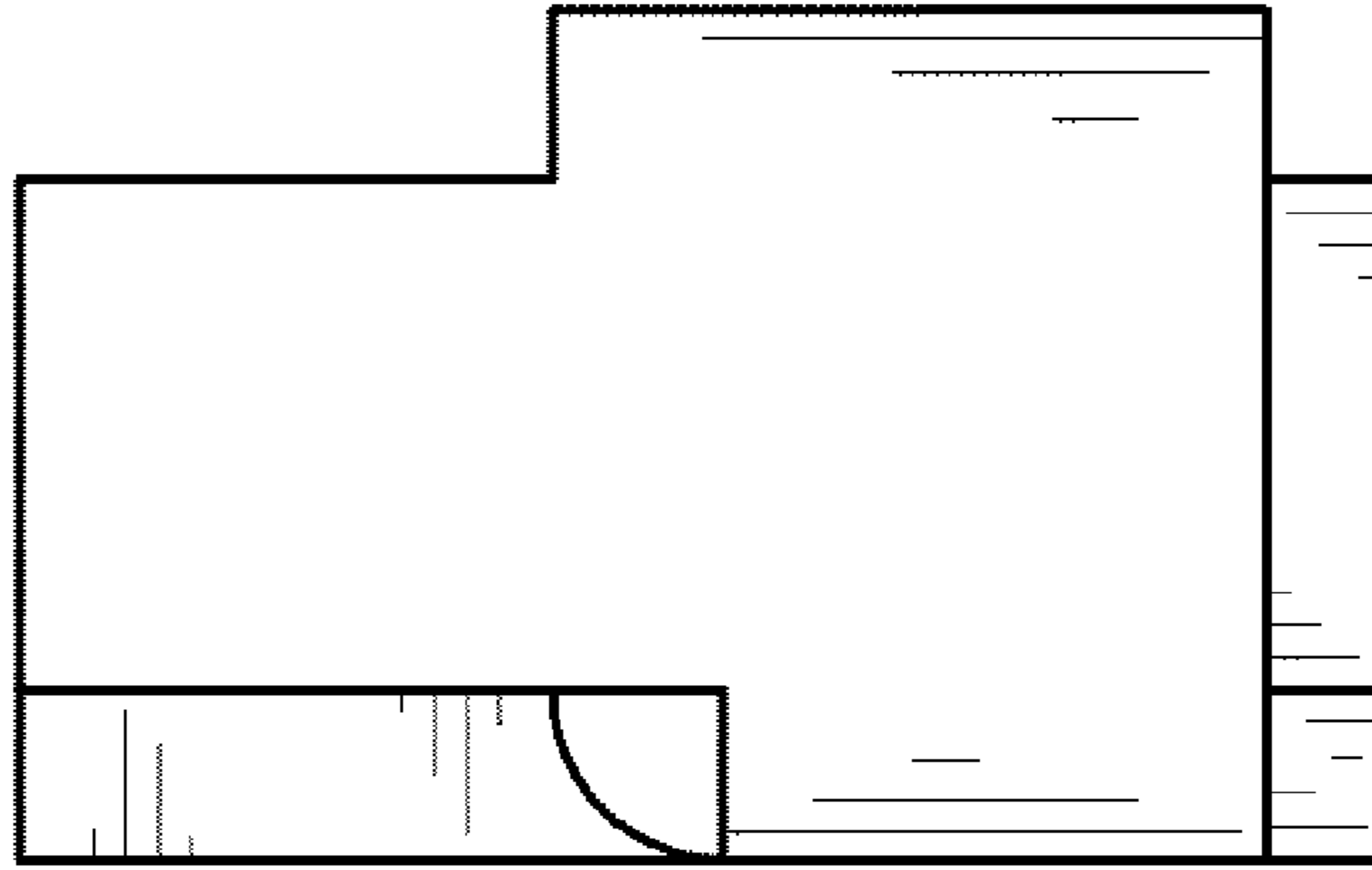


FIG. 4

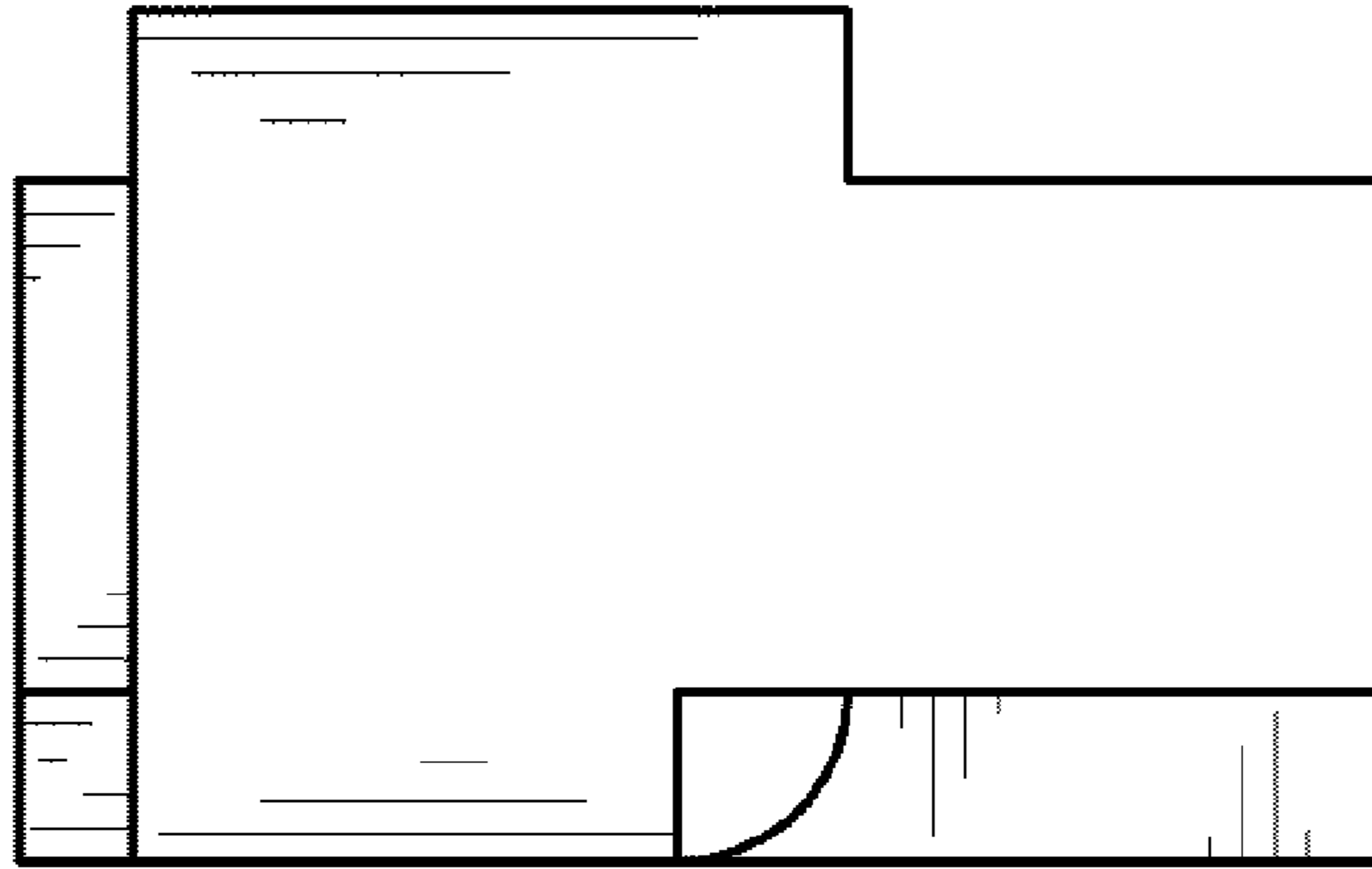


FIG. 5

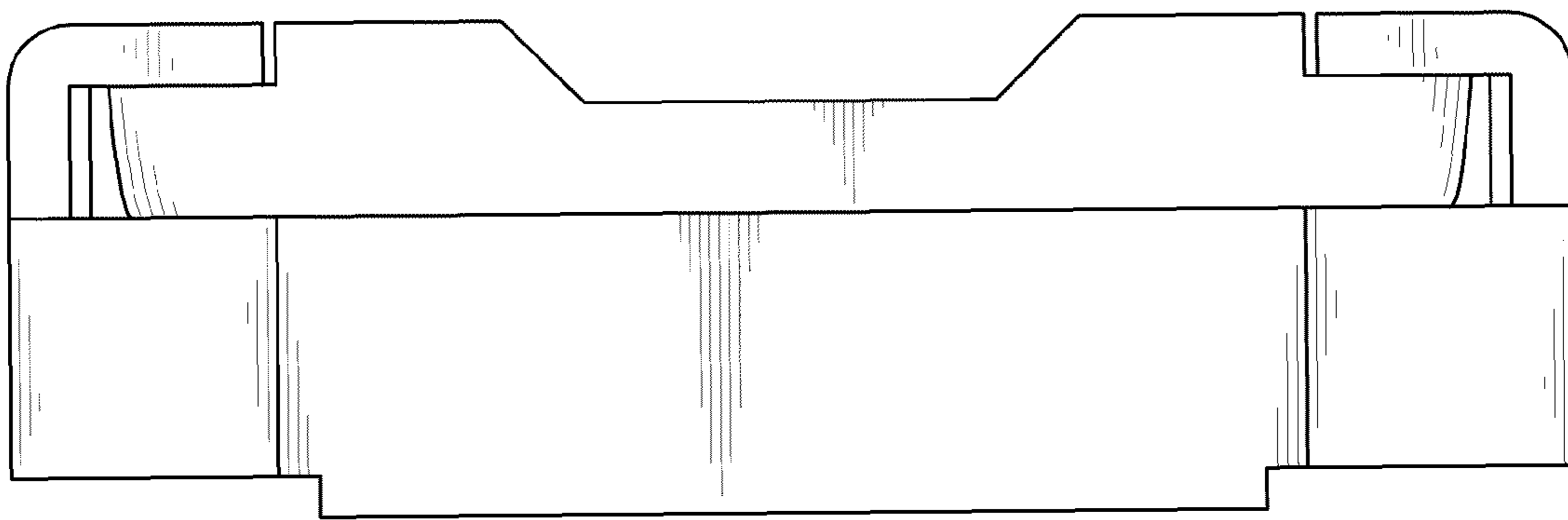


FIG. 6

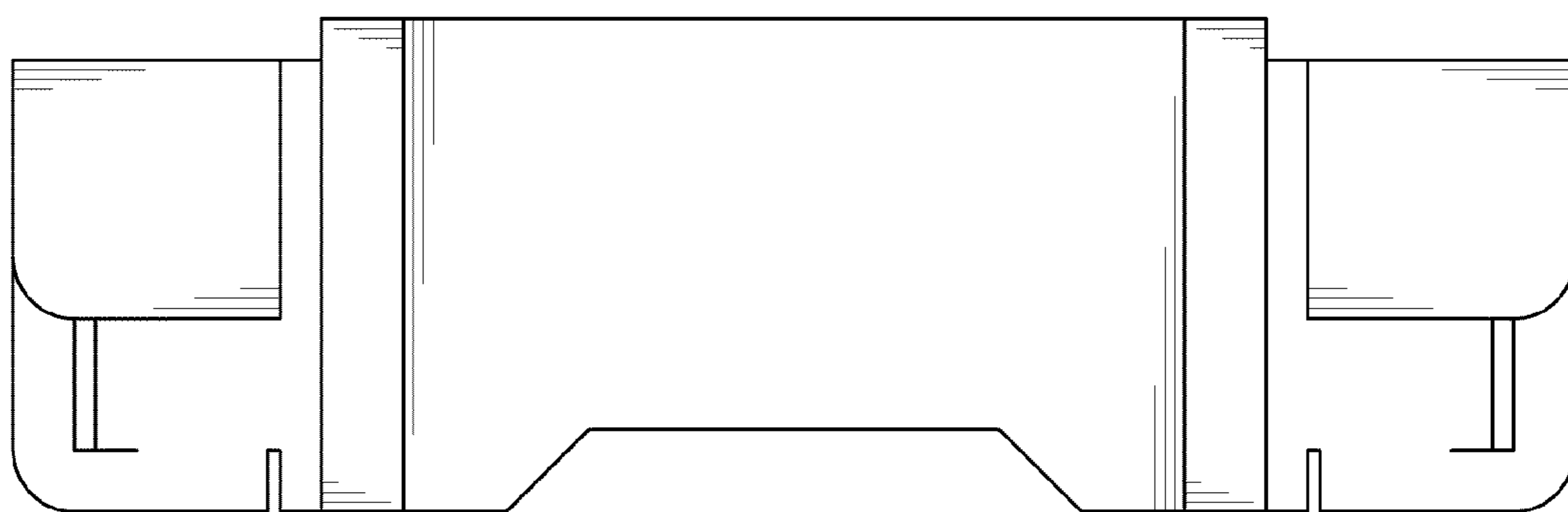


FIG. 7