



US00D645827S

(12) **United States Design Patent**
Lee et al.

(10) **Patent No.:** **US D645,827 S**
(45) **Date of Patent:** **** Sep. 27, 2011**

(54) **CONTACT FOR ELECTRICAL CONNECTOR**

(75) Inventors: **Chul-Sub Lee**, Daegu (KR); **In-Sung Woo**, Kyungsangbuk-Do (KR); **Kyung-Hee Lim**, Daegu (KR)

(73) Assignee: **Tyco Electronics AMP Korea Ltd.**, Kyungsangbuk-do (KR)

(**) Term: **14 Years**

(21) Appl. No.: **29/357,020**

(22) Filed: **Mar. 5, 2010**

(30) **Foreign Application Priority Data**

Sep. 7, 2009 (KR) 30-2009-0039522

(51) **LOC (9) Cl.** **13-03**

(52) **U.S. Cl.** **D13/154**

(58) **Field of Classification Search** D13/133, D13/134, 136, 154, 184, 199; 439/839, 849–850, 439/852, 862, 870, 877, 884–885, 887–891
See application file for complete search history.

(56) **References Cited**

U.S. PATENT DOCUMENTS

D207,488 S * 4/1967 Reynolds D13/149

D235,348 S * 6/1975 Pauza et al. D13/149
D241,650 S * 9/1976 Pauza et al. D13/133
D434,375 S * 11/2000 Kawamoto D13/133
6,971,929 B2 * 12/2005 Safai et al. 439/862

FOREIGN PATENT DOCUMENTS

JP 6-275348 9/1994

* cited by examiner

Primary Examiner — Daniel Bui

(74) *Attorney, Agent, or Firm* — Barley Snyder

(57) **CLAIM**

The ornamental design for a contact for electrical connector, as shown and design.

DESCRIPTION

FIG. 1 is a top front and right side perspective view of a contact for electrical connector, showing our new design; FIG. 2 is a front elevation view thereof; FIG. 3 is a rear elevation view thereof; FIG. 4 is a left side elevation view thereof; FIG. 5 is a right side elevation view thereof; FIG. 6 is a top plan view thereof; and, FIG. 7 is a bottom plan view thereof.

1 Claim, 7 Drawing Sheets

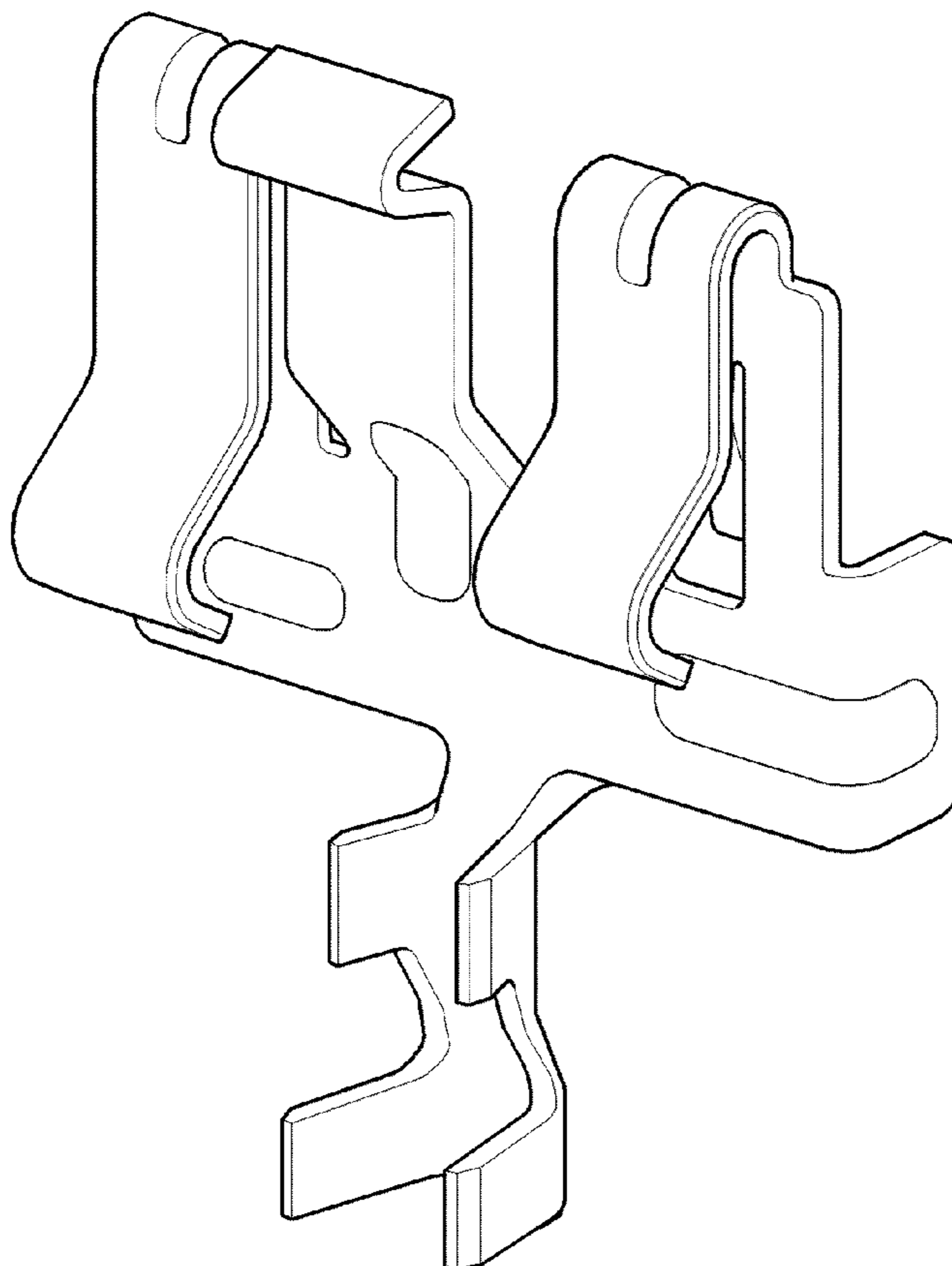


FIG. 1

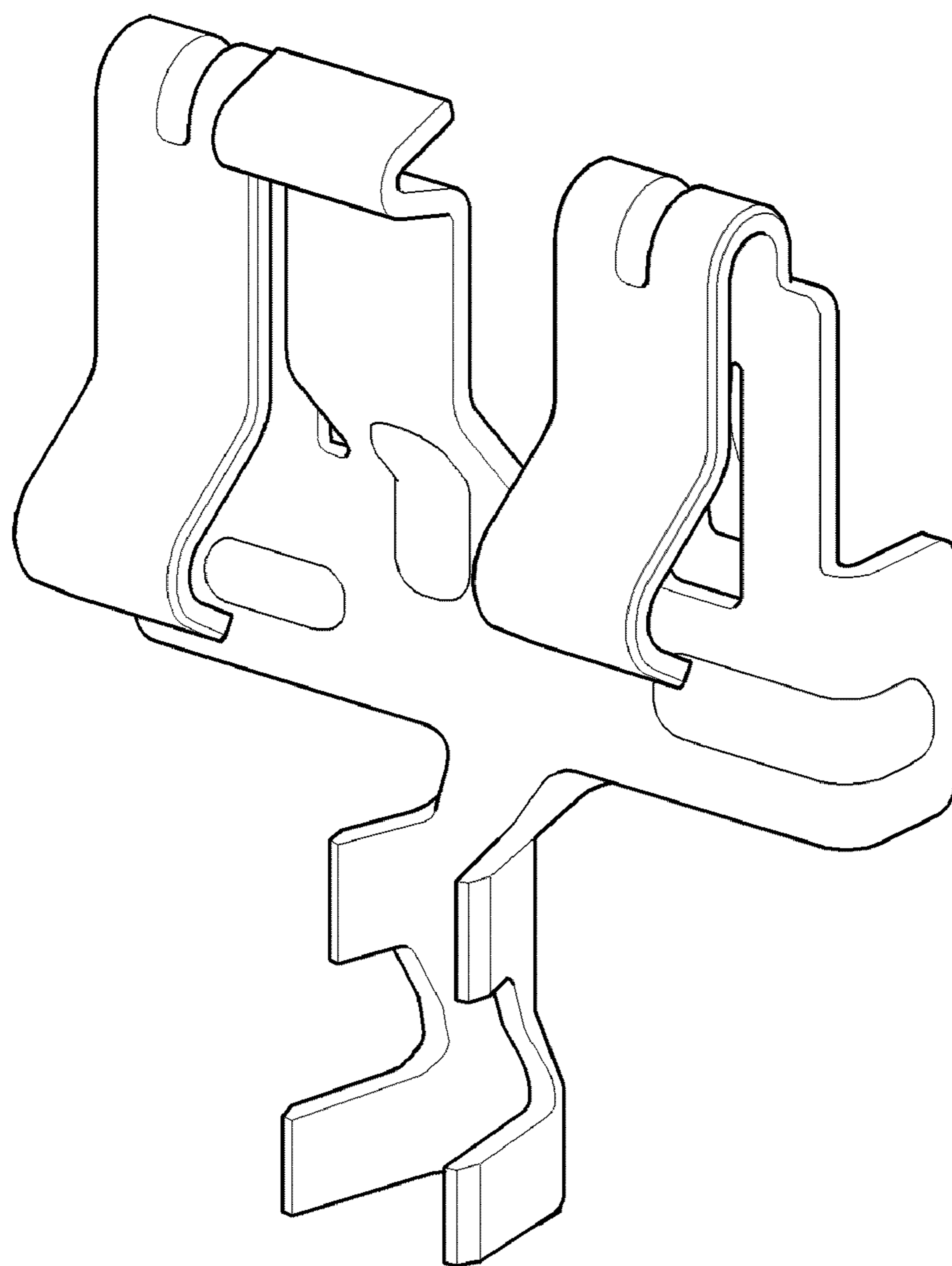


FIG.2

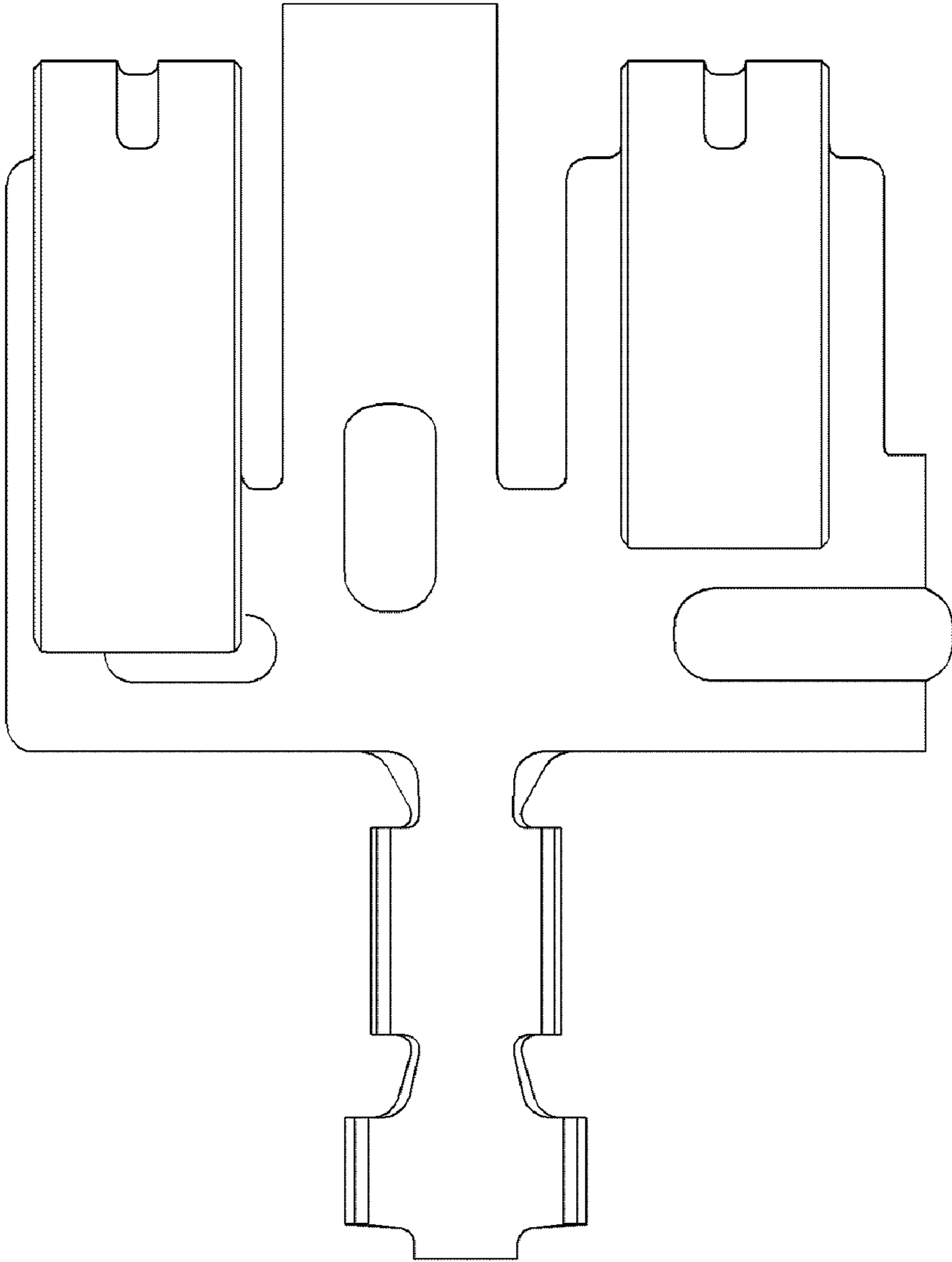


FIG.3

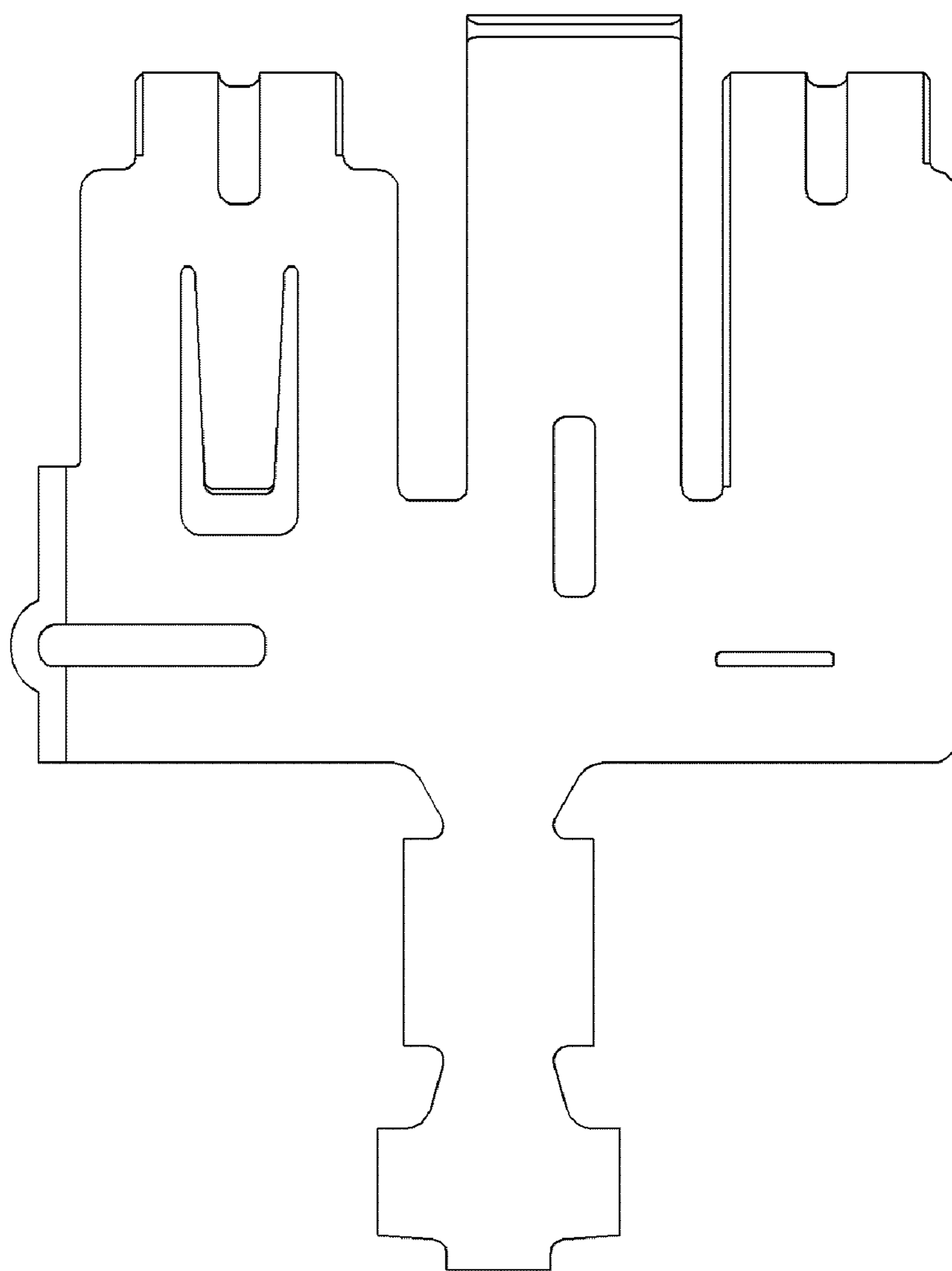


FIG.4

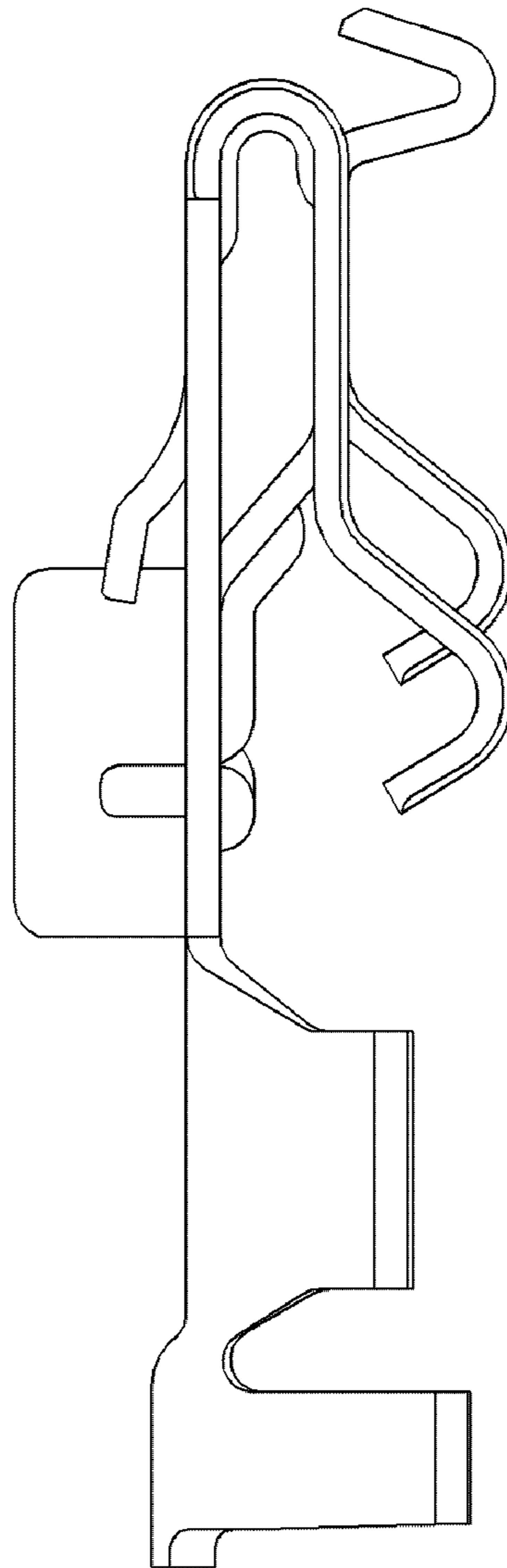


FIG.5

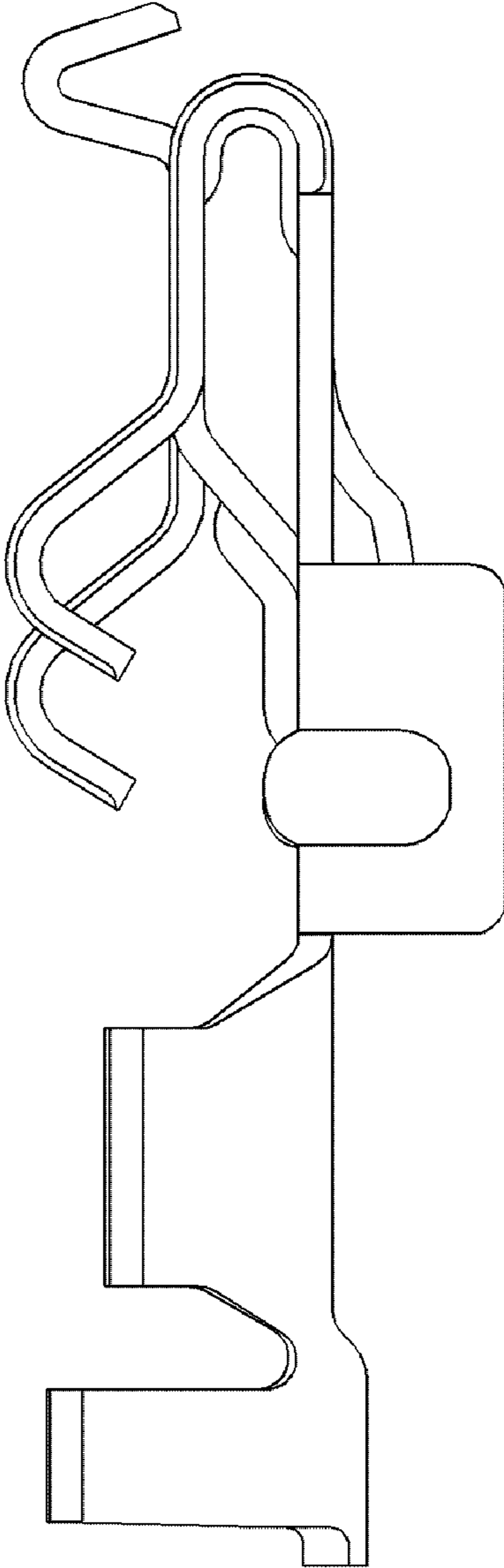


FIG.6

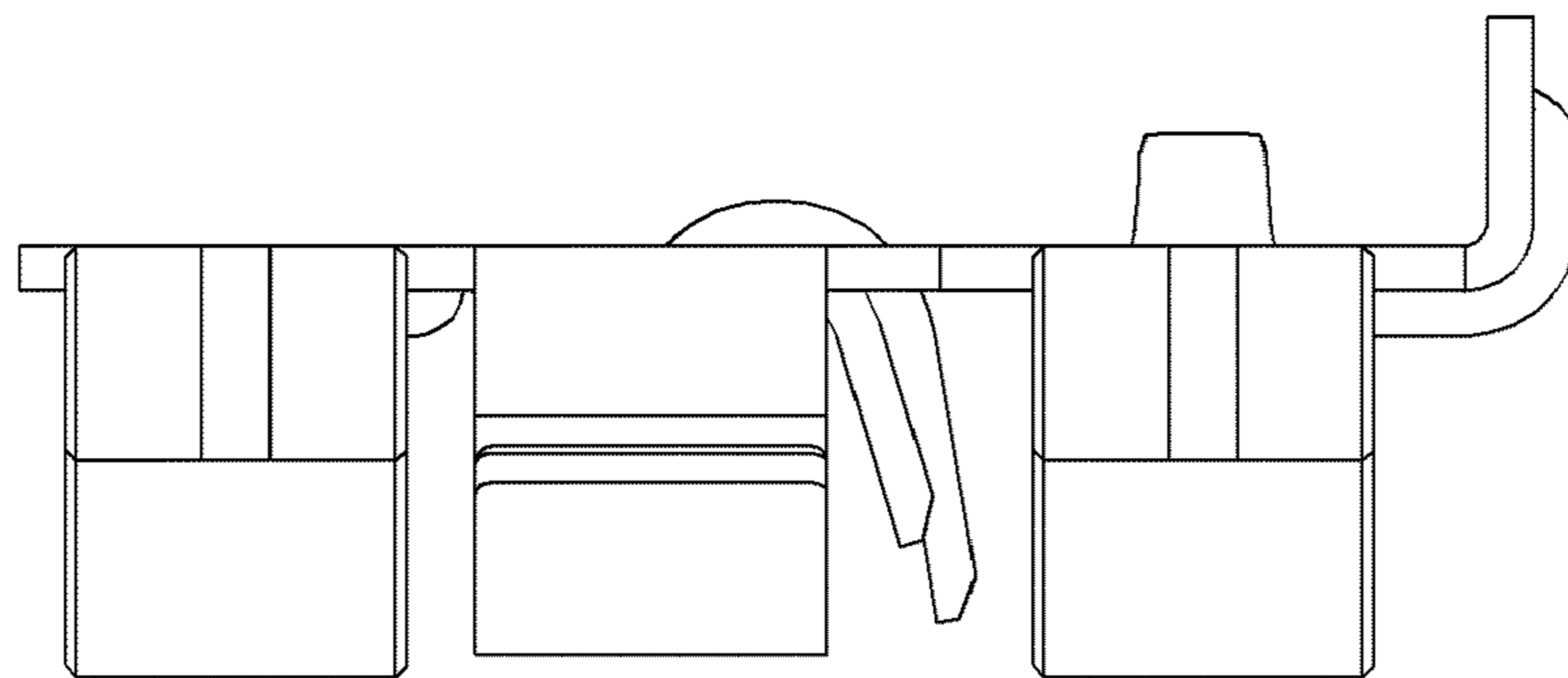


FIG. 7

