



US00D645825S

(12) **United States Design Patent**  
**Kurachi**

(10) **Patent No.:** **US D645,825 S**

(45) **Date of Patent:** **\*\* Sep. 27, 2011**

(54) **ELECTRIC CONNECTOR**

(75) Inventor: **Takaki Kurachi**, Machida (JP)

(73) Assignee: **I-PEX Co., Ltd.**, Machida-shi (JP)

(\*\*) Term: **14 Years**

(21) Appl. No.: **29/387,653**

(22) Filed: **Mar. 16, 2011**

**Related U.S. Application Data**

(62) Division of application No. 29/363,354, filed on Jun. 8, 2010.

**Foreign Application Priority Data**

Dec. 8, 2009 (JP) ..... 2009-028574  
Dec. 8, 2009 (JP) ..... 2009-028579  
May 13, 2010 (JP) ..... 2010-011755

(51) **LOC (9) Cl.** ..... **13-03**

(52) **U.S. Cl.** ..... **D13/147**

(58) **Field of Classification Search** ..... D13/147,  
D13/154, 184; 439/260, 329, 395, 422, 492-499  
See application file for complete search history.

(56) **References Cited**

**FOREIGN PATENT DOCUMENTS**

JP D1343284 11/2008  
JP D1344452 11/2008  
JP D1355631 4/2009

*Primary Examiner* — Daniel Bui

(74) *Attorney, Agent, or Firm* — Oblon, Spivak, McClelland, Maier & Neustadt, L.L.P.

(57) **CLAIM**

The ornamental design for an electric connector, as shown and described.

**DESCRIPTION**

FIG. 1 is a top view of an electric connector showing my new design;

FIG. 2 is a front view thereof;

FIG. 3 is a bottom view thereof;

FIG. 4 is a rear view thereof;

FIG. 5 is a right side view thereof;

FIG. 6 is a left side view thereof;

FIG. 7 is a front, top and right side perspective view thereof; and,

FIG. 8 is a rear, bottom and right side perspective view thereof.

The broken line in the figure drawing views is included for the purpose of illustrating environment and forms no part of the claimed design.

**1 Claim, 5 Drawing Sheets**

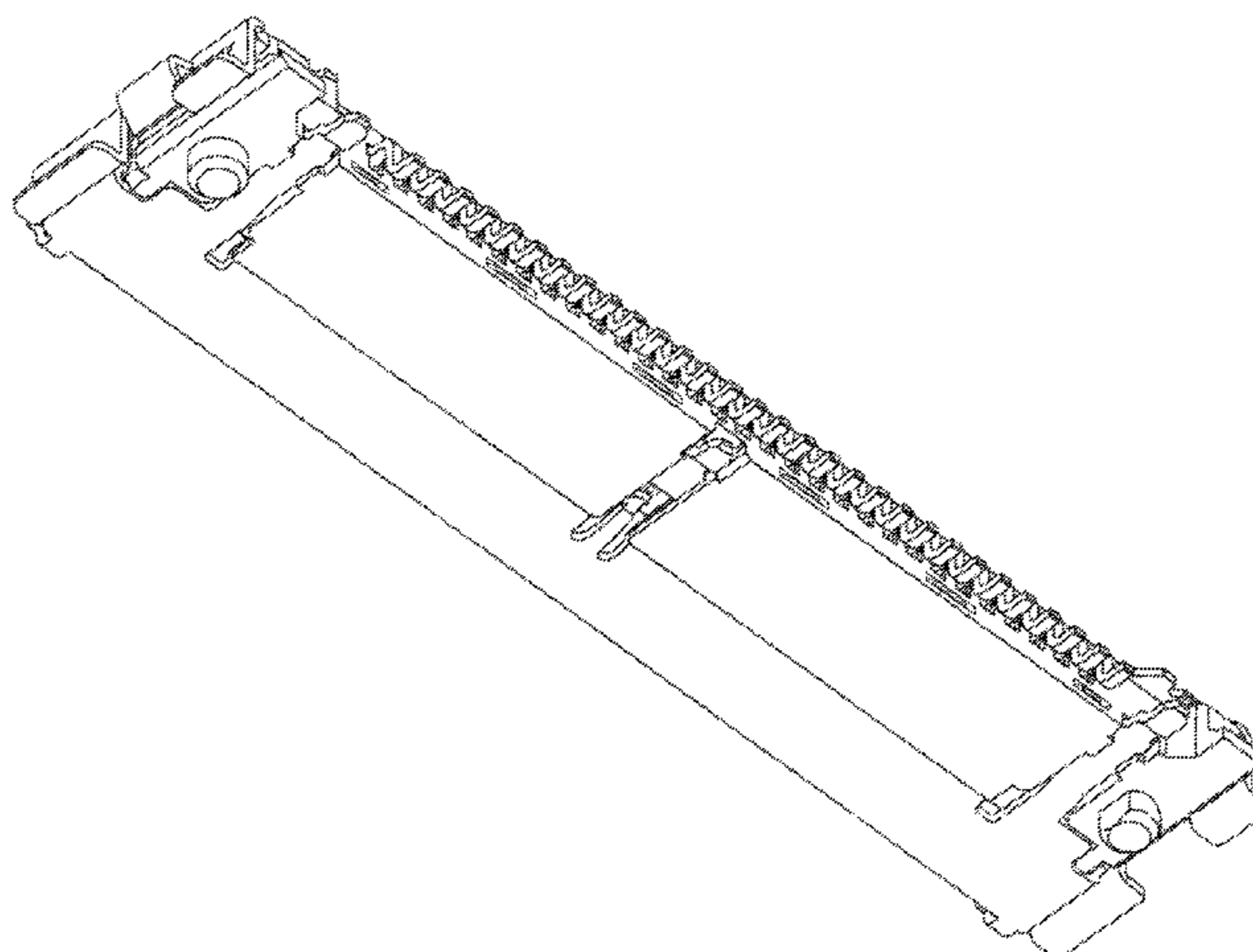
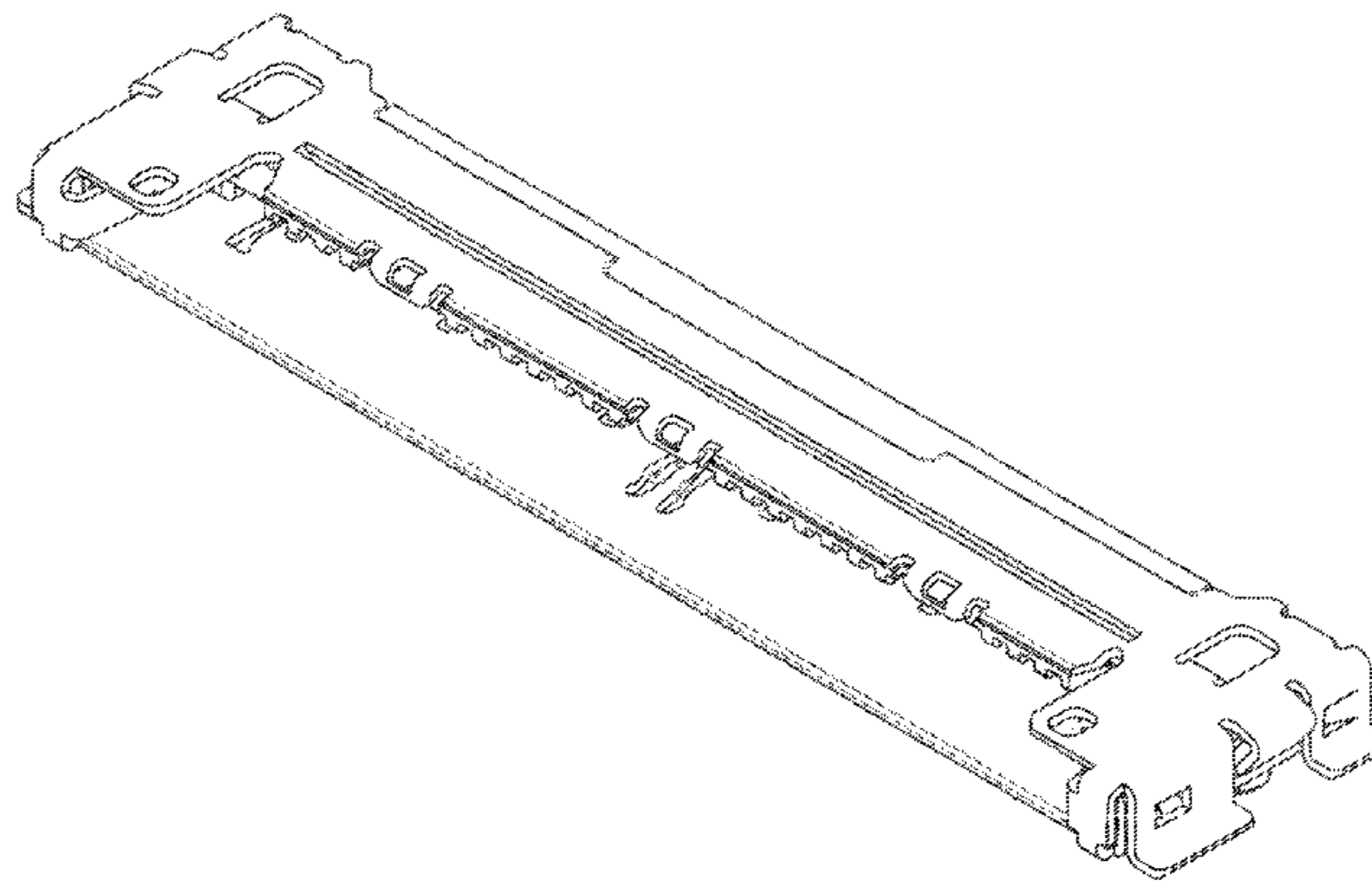


FIG. 1

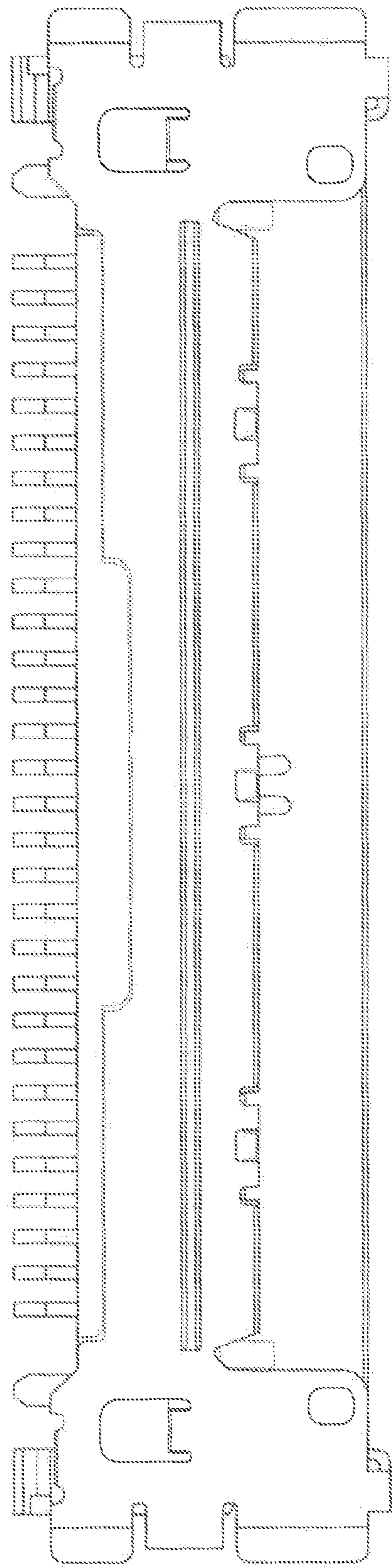


FIG. 2

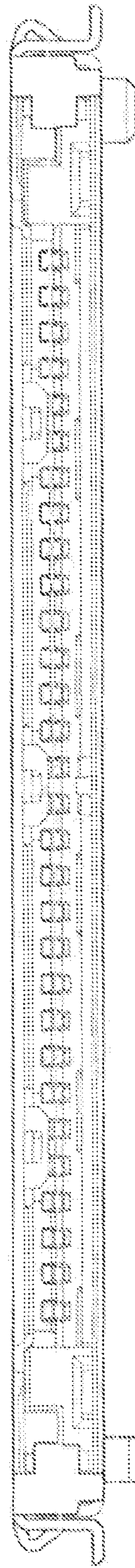


FIG. 3

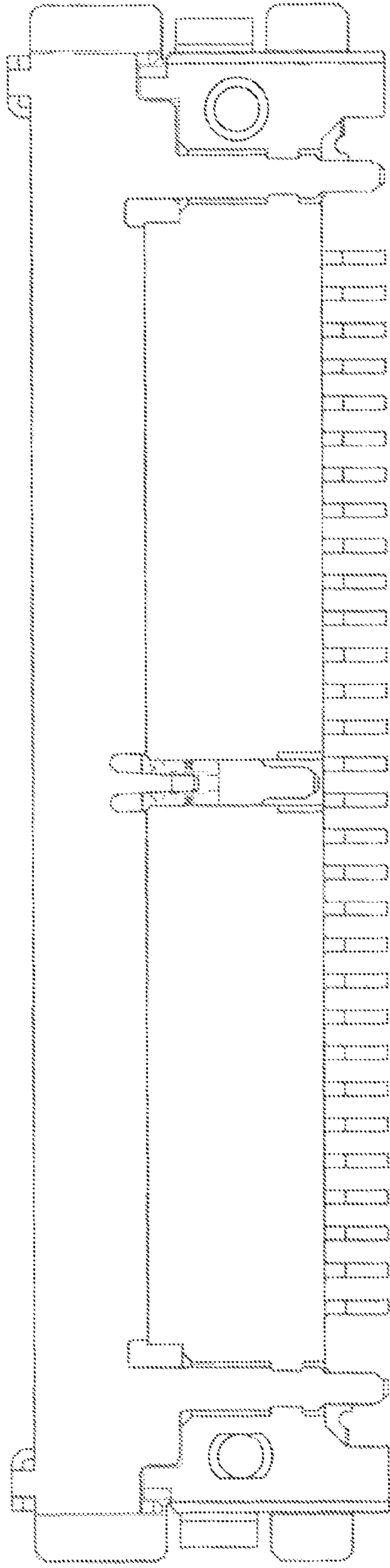
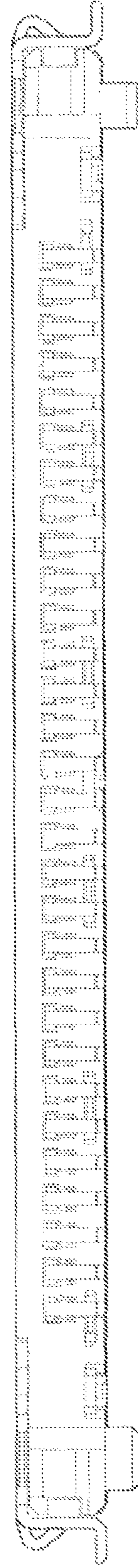


FIG. 4



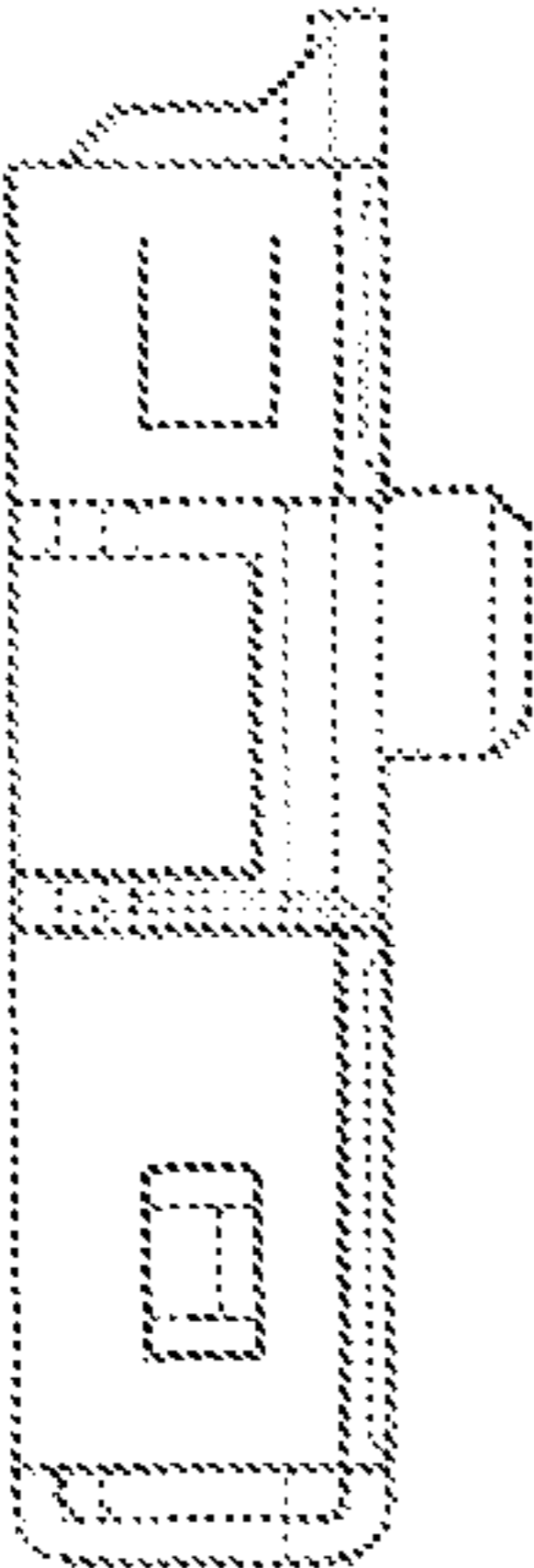


FIG. 5

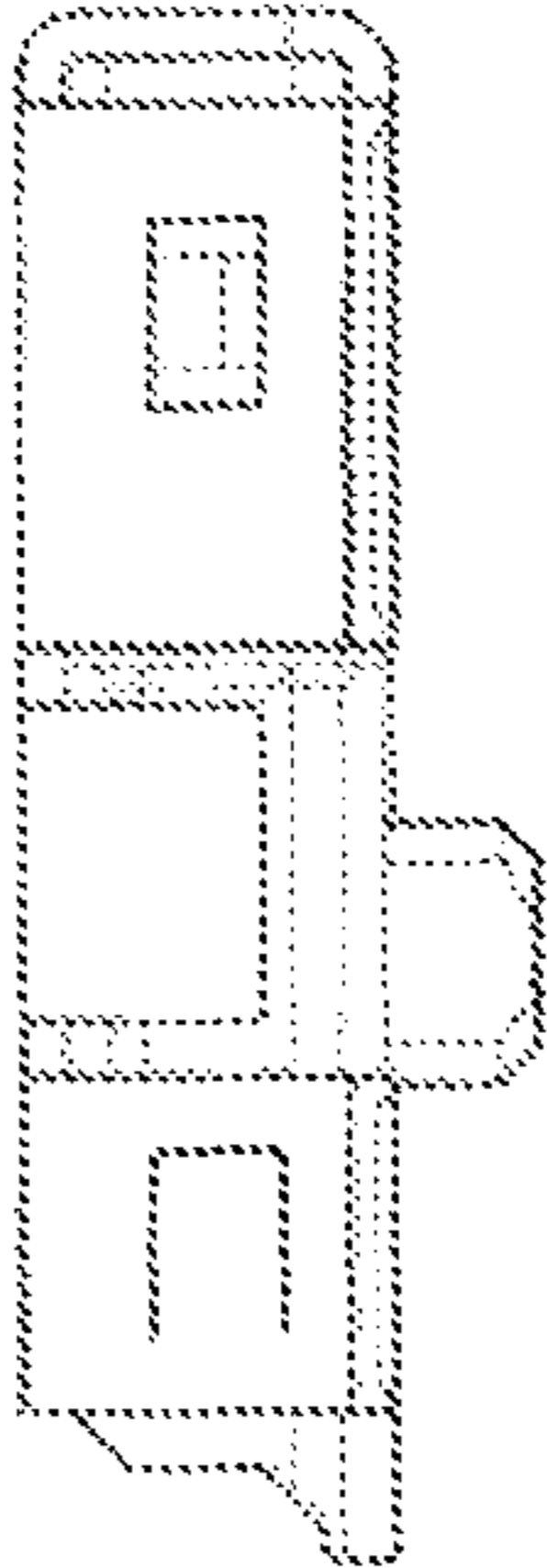


FIG. 6



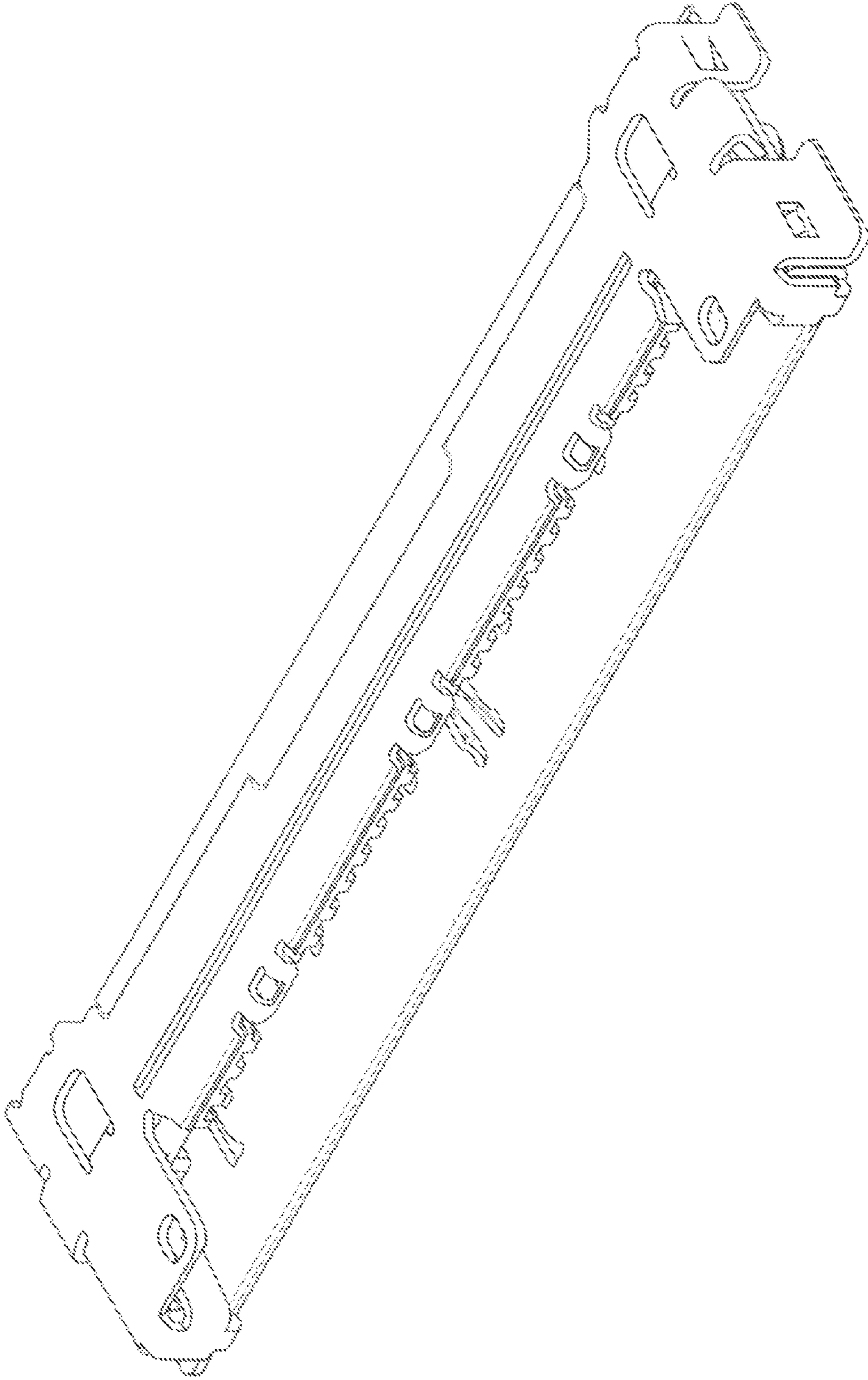


FIG. 7

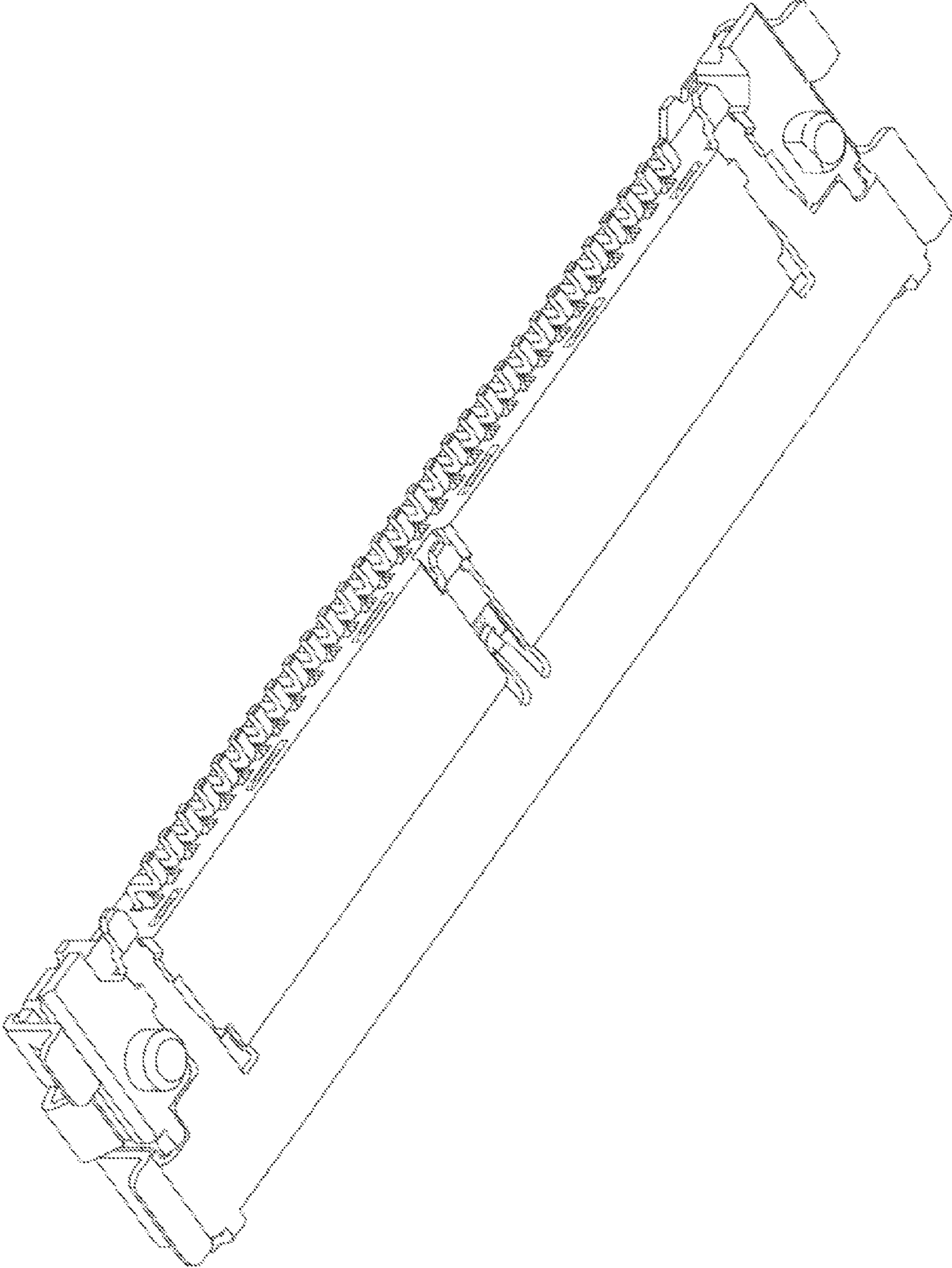


FIG. 8