



US00D645822S

(12) **United States Design Patent**
Bachinski

(10) **Patent No.:** **US D645,822 S**

(45) **Date of Patent:** **** *Sep. 27, 2011**

(54) **CONNECTOR FOR AN ELECTRICAL STIMULATION DEVICE**

(75) Inventor: **Thomas Jerome Bachinski**, Lakeville, MN (US)

(73) Assignee: **Empi, Inc.**, St. Paul, MN (US)

(*) Notice: This patent is subject to a terminal disclaimer.

(**) Term: **14 Years**

(21) Appl. No.: **29/328,334**

(22) Filed: **Nov. 21, 2008**

(51) **LOC (9) Cl.** **13-03**

(52) **U.S. Cl.** **D13/146**

(58) **Field of Classification Search** D13/133,
D13/146, 147, 154, 184; 439/246, 249, 476.1,
439/607-610, 892, 894

See application file for complete search history.

(56) **References Cited**

U.S. PATENT DOCUMENTS

D208,551 S * 9/1967 Geis D13/133
5,417,583 A * 5/1995 Ishizaki et al. 439/409

D394,864 S * 6/1998 Brandt D14/256
D415,107 S * 10/1999 Avery et al. D13/147
D475,639 S * 6/2003 Monette et al. D10/56
D554,061 S * 10/2007 Ohmi D13/118
D611,903 S * 3/2010 Karabcievschy et al. D13/133

* cited by examiner

Primary Examiner — Daniel Bui

(74) *Attorney, Agent, or Firm* — Ropes & Gray LLP

(57) **CLAIM**

The ornamental design for the connector for an electrical stimulation device, as shown.

DESCRIPTION

FIG. 1 is a front, top and right side perspective view of a connector for an electrical stimulation device, showing my new design;

FIG. 2 is a rear, top and right side perspective view thereof;

FIG. 3 is a top plan view thereof, on a larger scale;

FIG. 4 is a bottom plan view thereof;

FIG. 5 is a right side elevation view thereof;

FIG. 6 is a left side elevation view thereof;

FIG. 7 is a front elevation view thereof; and,

FIG. 8 is a rear elevation view thereof.

The broken line portion of the figure drawings is included to show unclaimed subject matter only and forms no part of the claimed design.

1 Claim, 8 Drawing Sheets

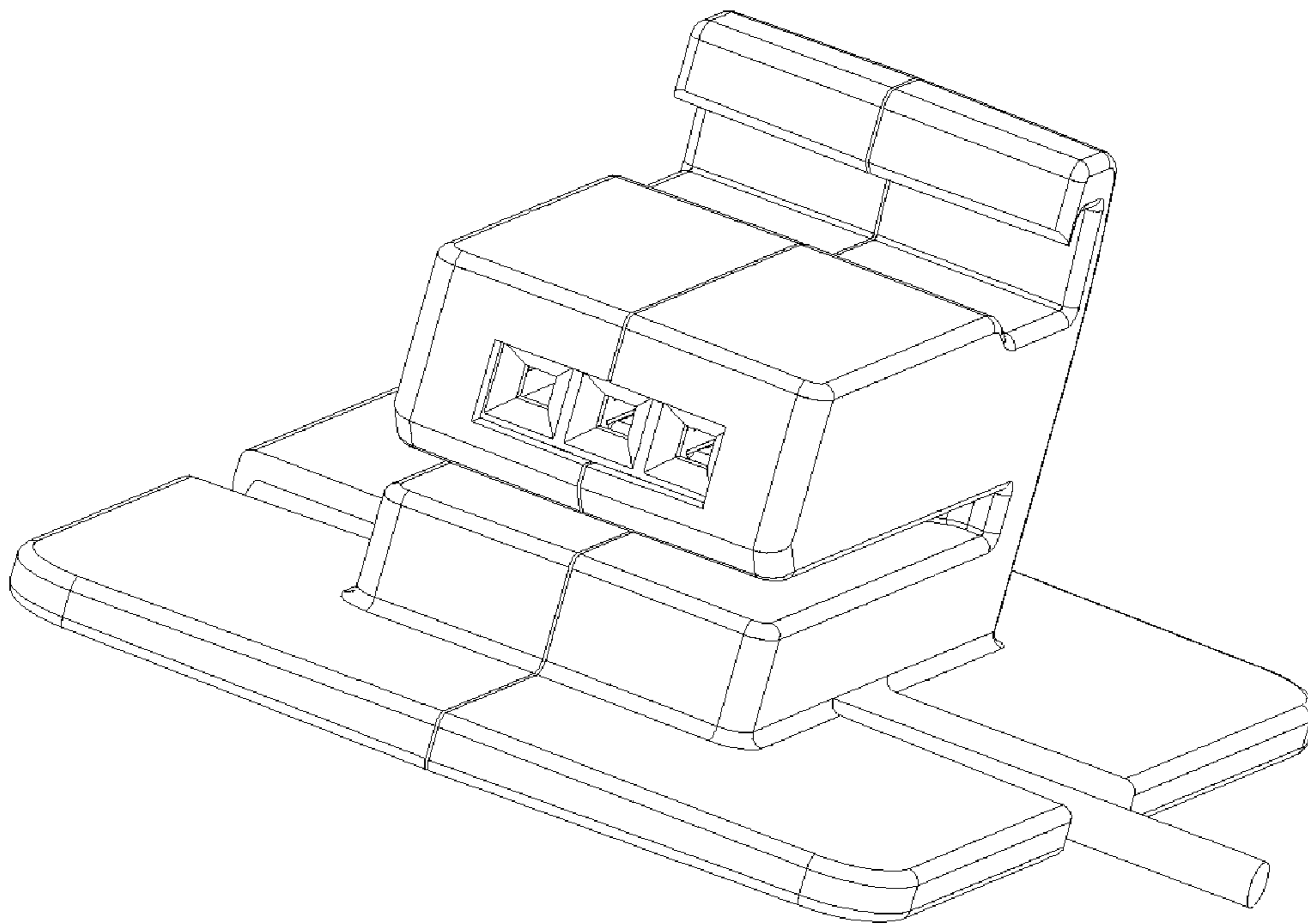


Figure 1

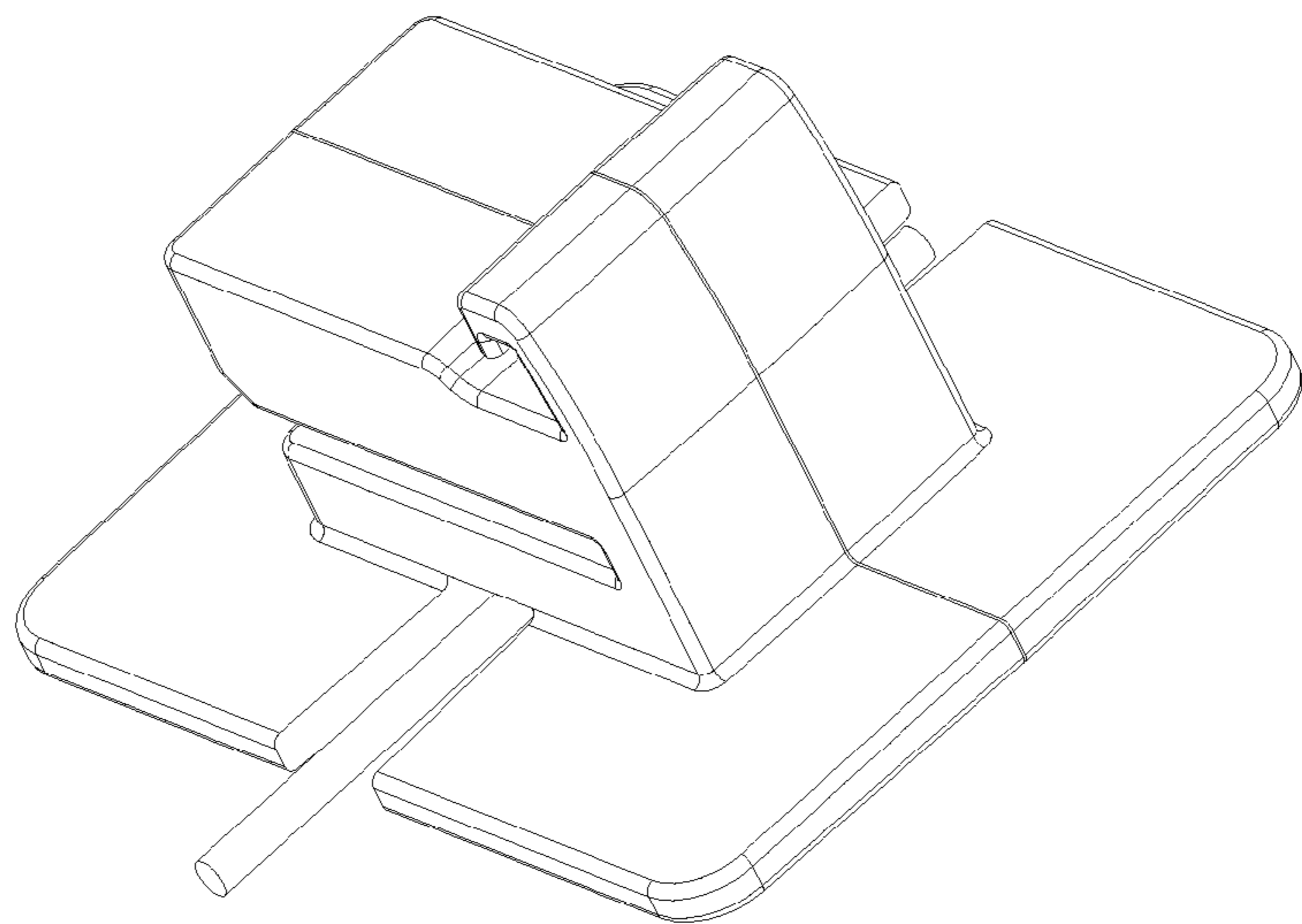


Figure 2

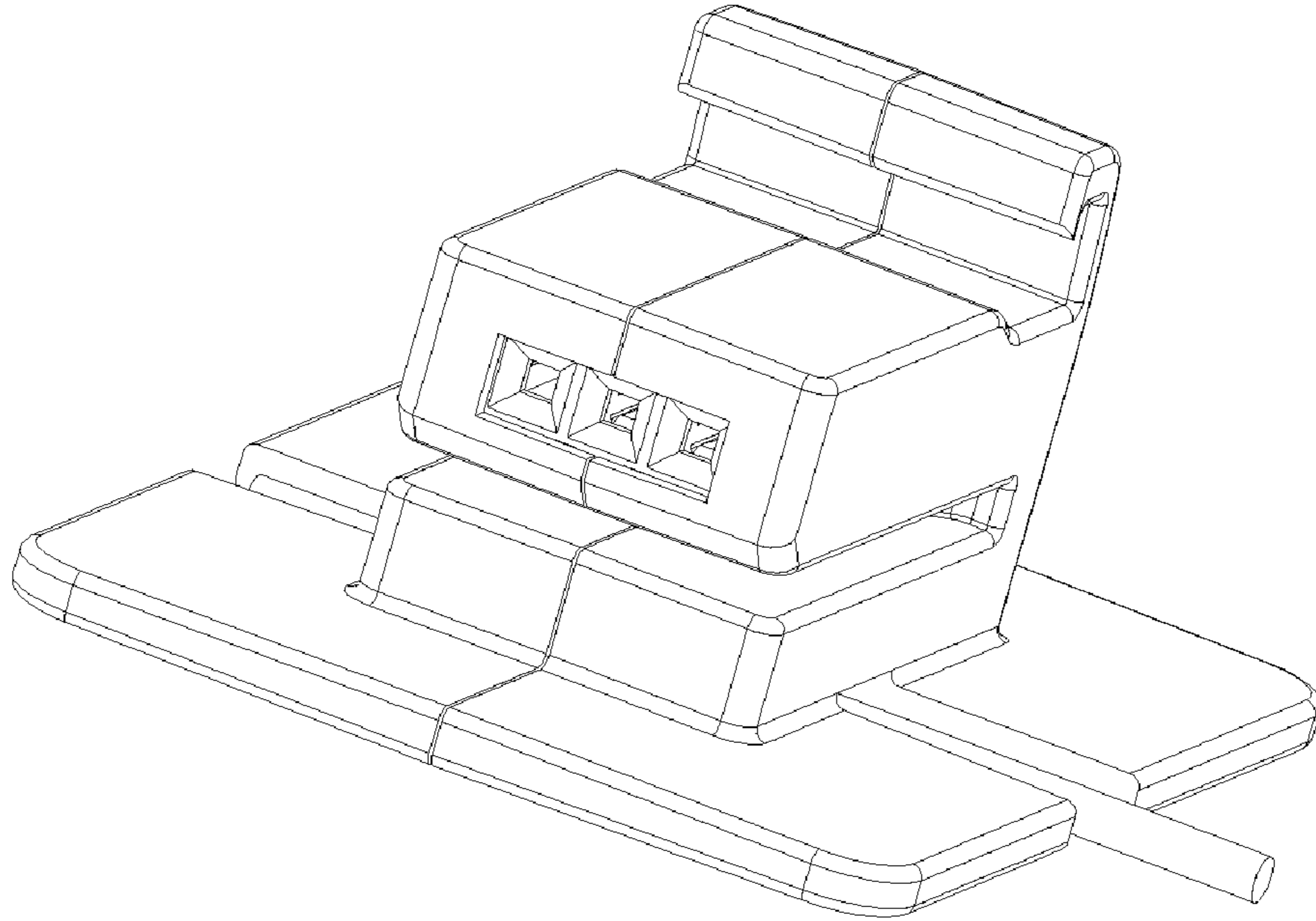
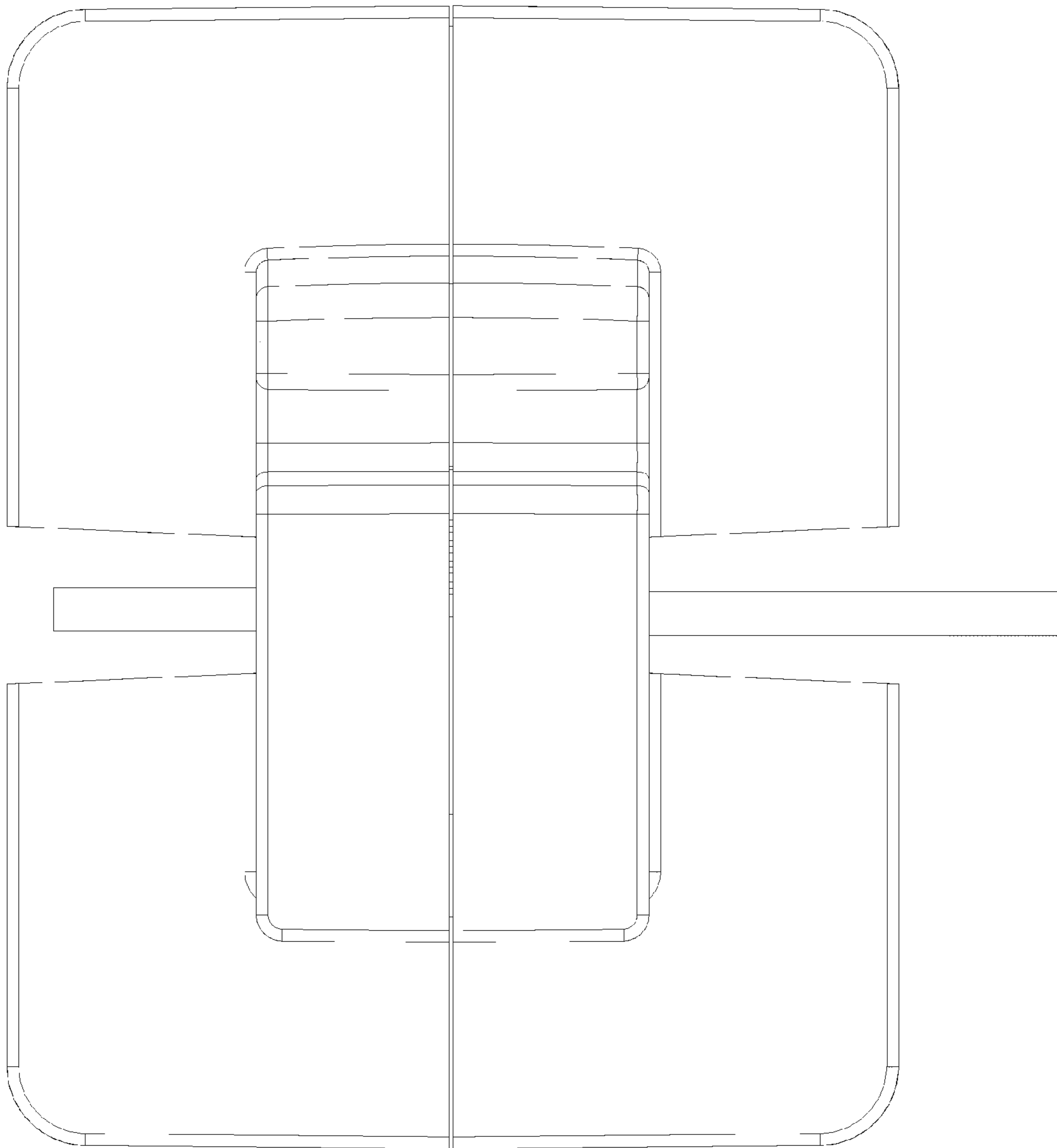


Figure 3



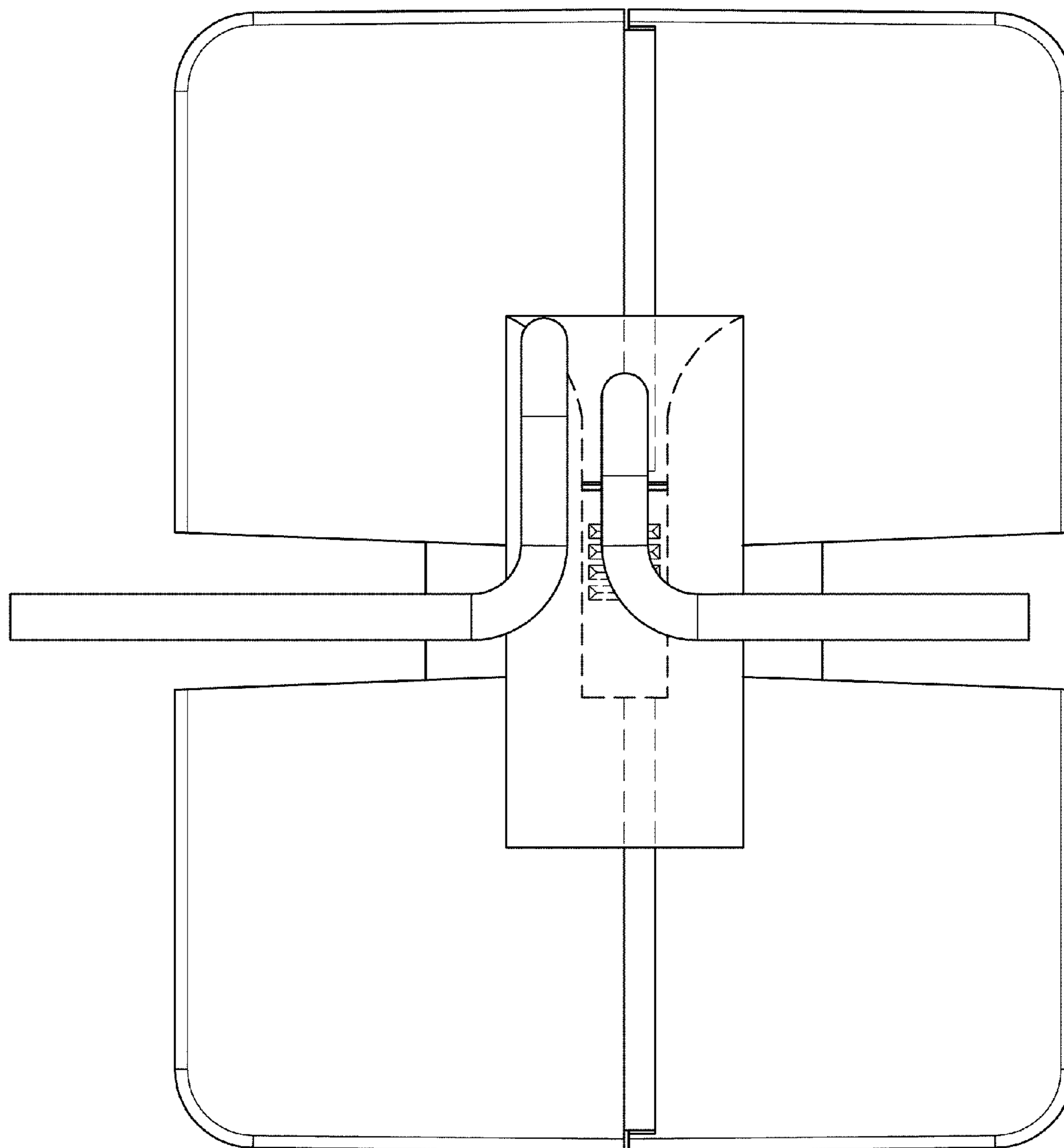


Figure 4

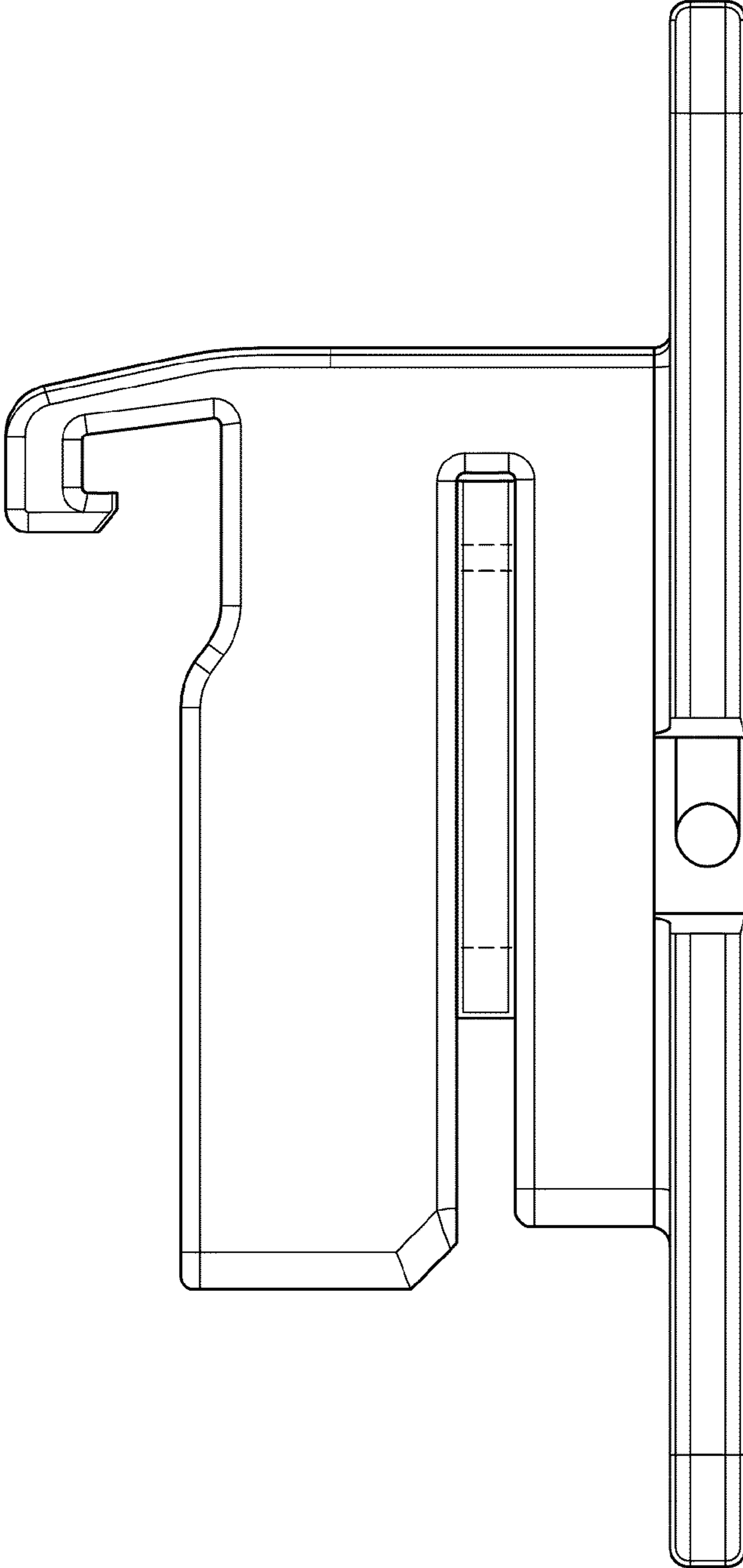


Figure 5

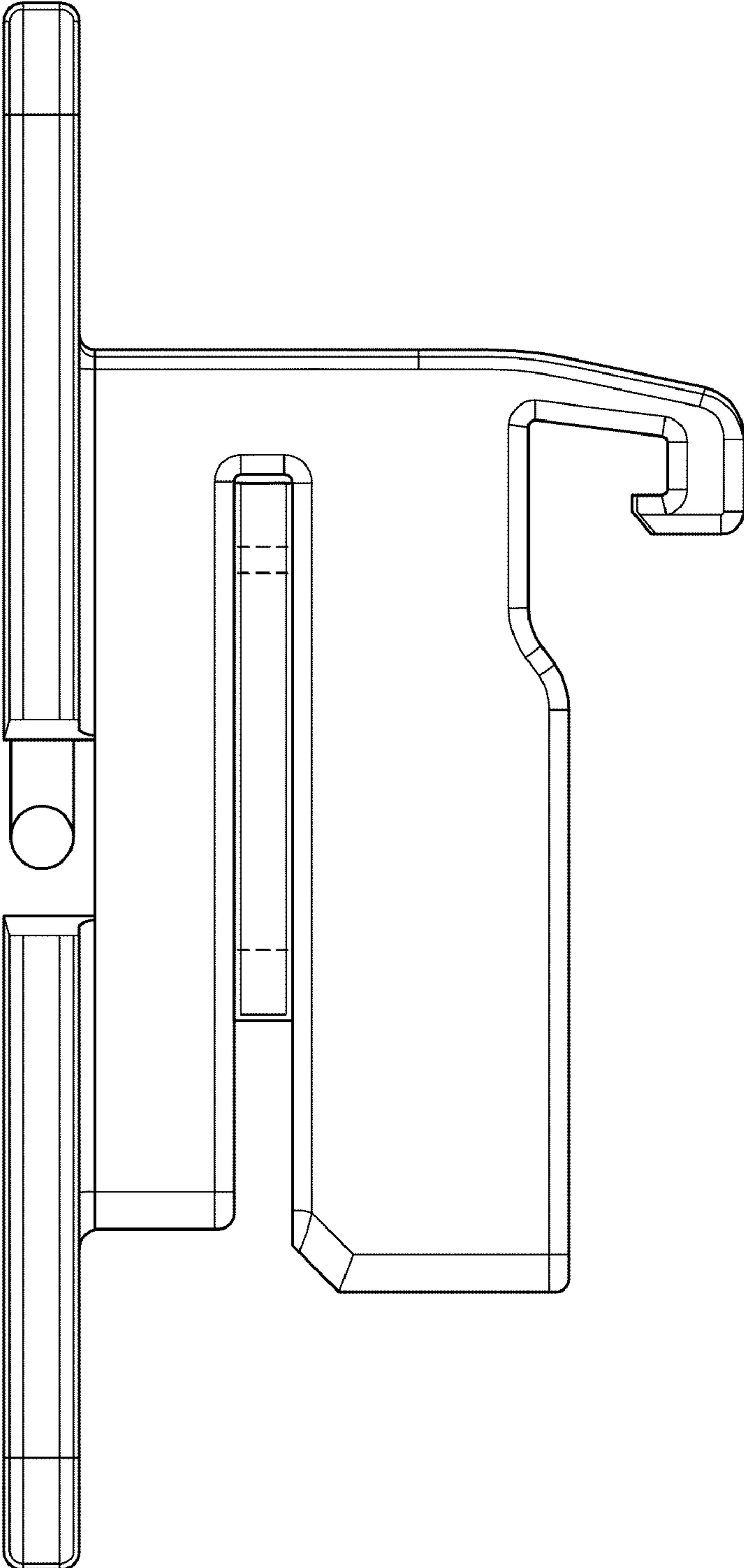
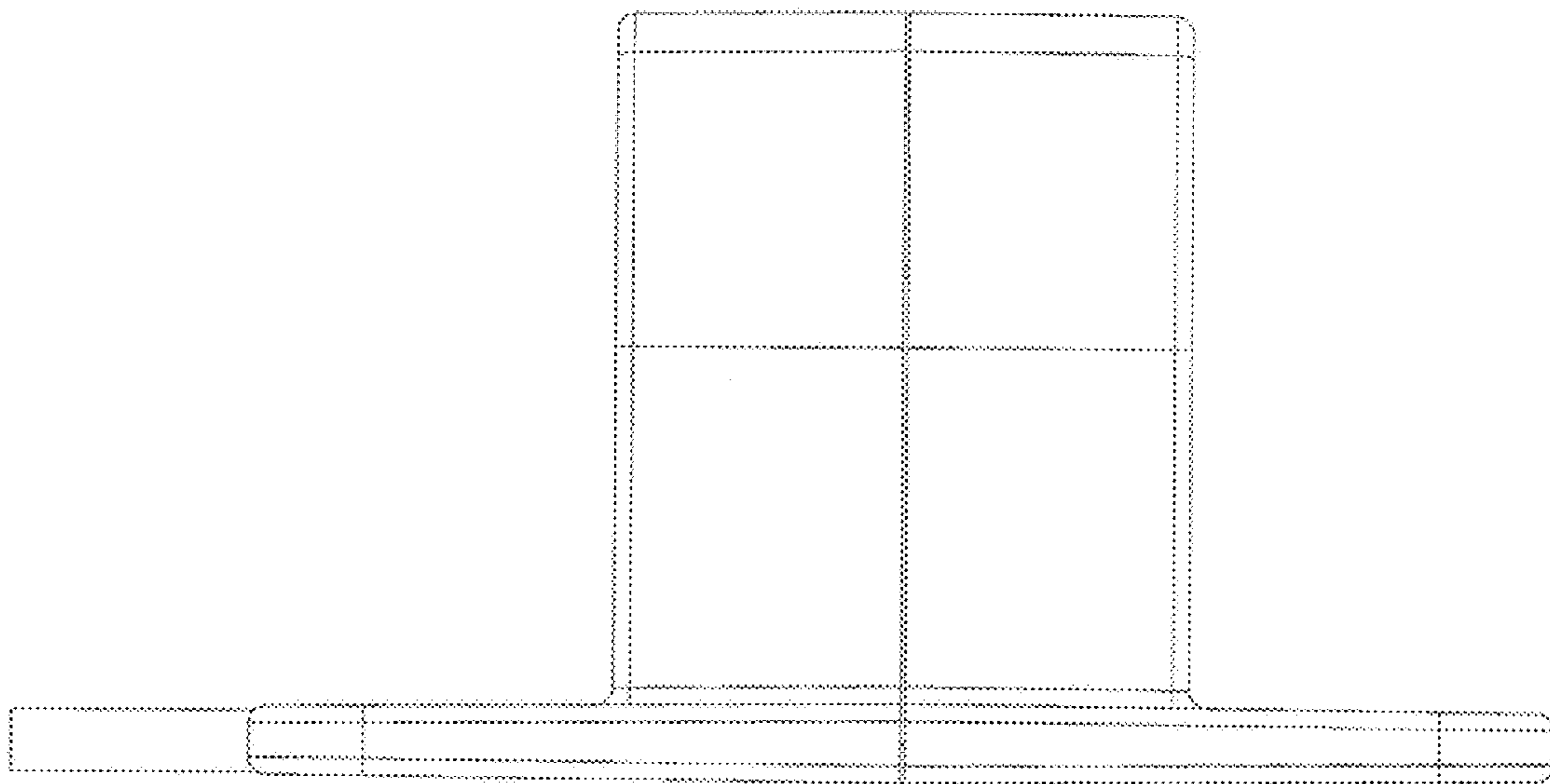


Figure 6

Figure 7



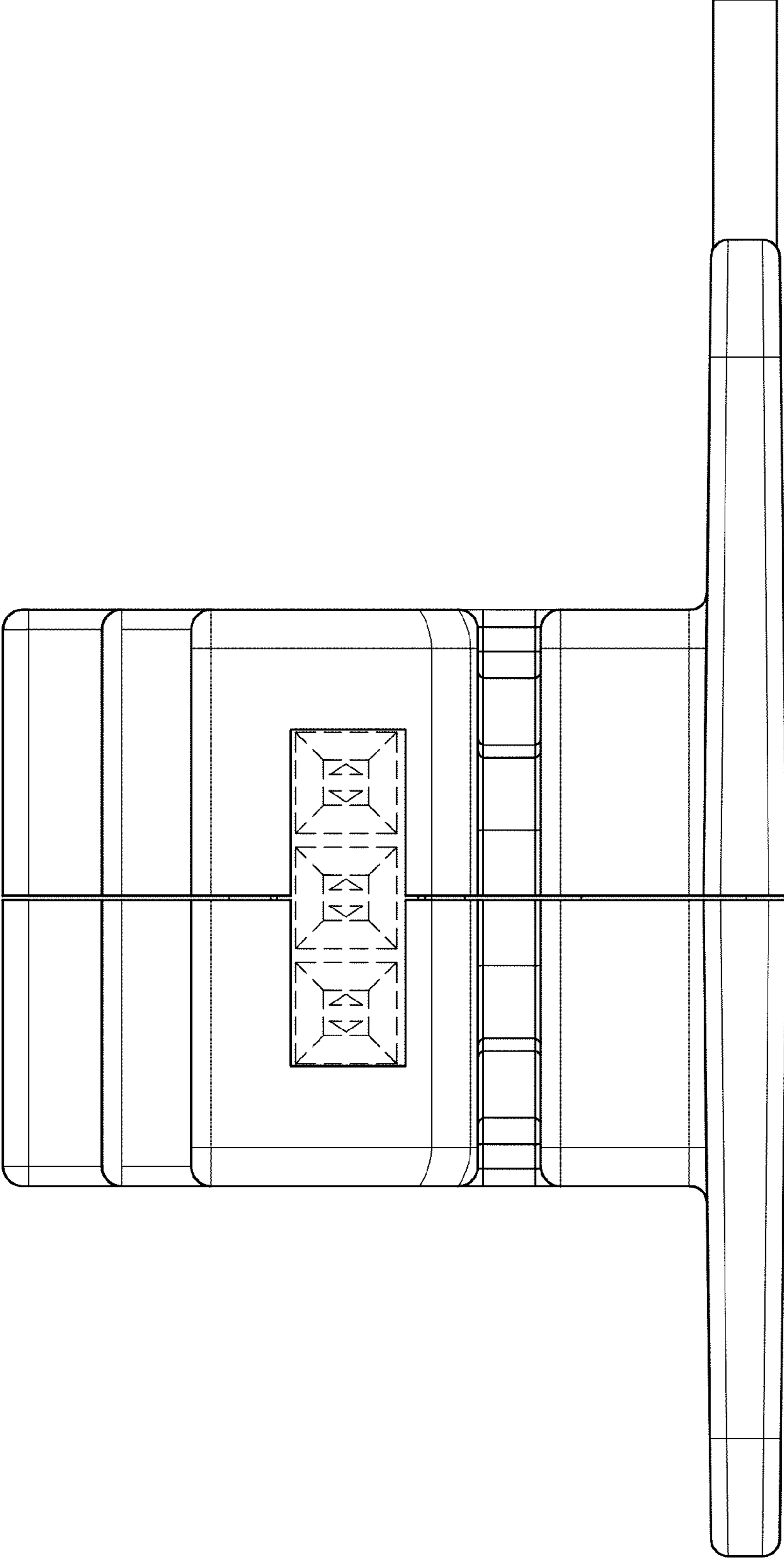


Figure 8