



US00D645821S

(12) **United States Design Patent**  
**Masumoto**

(10) **Patent No.:** **US D645,821 S**

(45) **Date of Patent:** **\*\* Sep. 27, 2011**

(54) **TERMINAL BOX FOR A SOLAR CELL  
MODULE**

(75) Inventor: **Yutaka Masumoto, Yao (JP)**

(73) Assignee: **Hosiden Corproation, Osaka (JP)**

(\*\*) Term: **14 Years**

(21) Appl. No.: **29/357,492**

(22) Filed: **Mar. 12, 2010**

(30) **Foreign Application Priority Data**

Sep. 14, 2009 (JP) ..... 2009-021220

(51) **LOC (9) Cl.** ..... **13-03**

(52) **U.S. Cl.** ..... **D13/133**

(58) **Field of Classification Search** ..... D13/102,  
D13/133, 146-147, 154, 156, 184; 439/180,  
439/252, 278, 280, 374, 375, 378, 488, 489,  
439/491, 527, 529, 533, 892, 894, 607.01,  
439/607.04, 607.05, 607.06, 607.17, 607.21,  
439/607.23, 607.25, 607.34, 607.41, 607.53,  
439/660

See application file for complete search history.

(56) **References Cited**

**U.S. PATENT DOCUMENTS**

D271,196 S *	11/1983	Tetreault	.....	D13/133
D302,421 S *	7/1989	Ichitsubo	.....	D13/133
D561,101 S *	2/2008	Sakamoto	.....	D13/133
D564,963 S *	3/2008	Sakamoto	.....	D13/133
D596,125 S *	7/2009	Norin et al.	.....	D13/133

\* cited by examiner

*Primary Examiner* — Daniel Bui

(74) *Attorney, Agent, or Firm* — The Webb Law Firm

(57) **CLAIM**

The ornamental design for a terminal box for a solar cell module, as shown and described.

**DESCRIPTION**

FIG. 1 is a front view of a terminal box for a solar cell module in accordance with my new design;

FIG. 2 is a rear view thereof;

FIG. 3 is a left side view thereof;

FIG. 4 is a right side view thereof;

FIG. 5 is a top view thereof;

FIG. 6 is a bottom view thereof;

FIG. 7 is a right side perspective view thereof; and,

FIG. 8 is a top left perspective view thereof.

The broken line shown in the drawing views is unclaimed subject matter and forms no part of the claimed design.

**1 Claim, 8 Drawing Sheets**

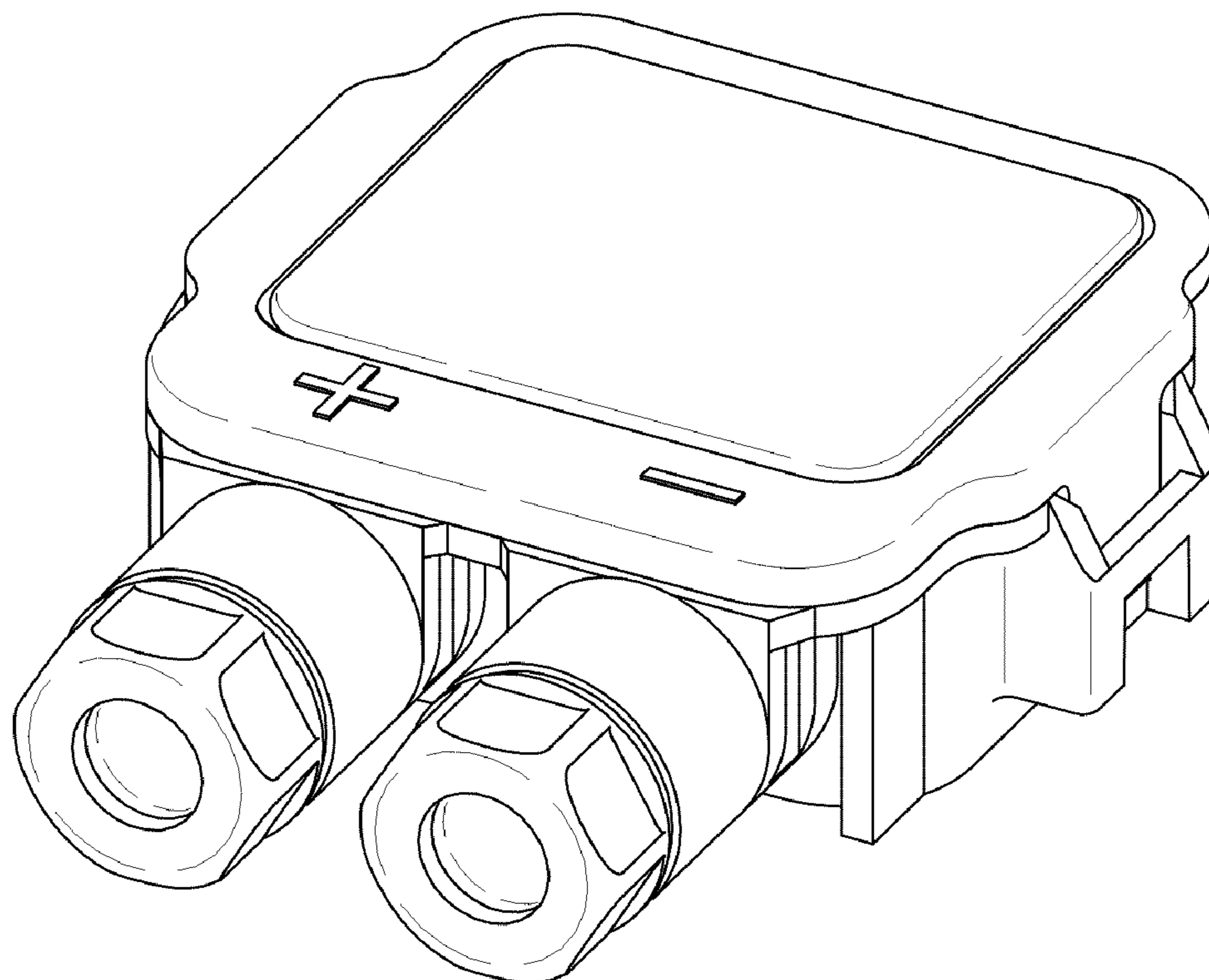


Fig. 1

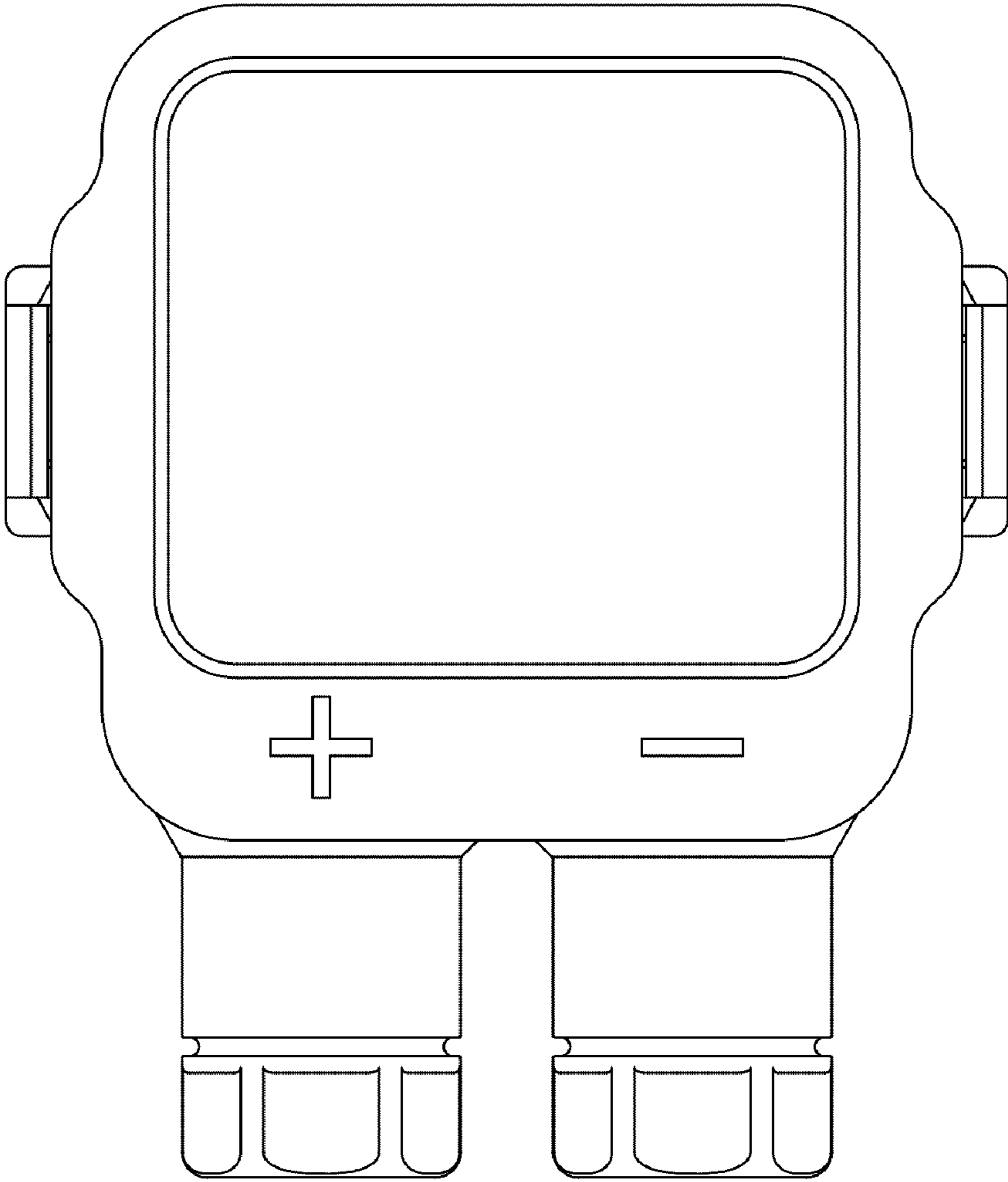


Fig. 2

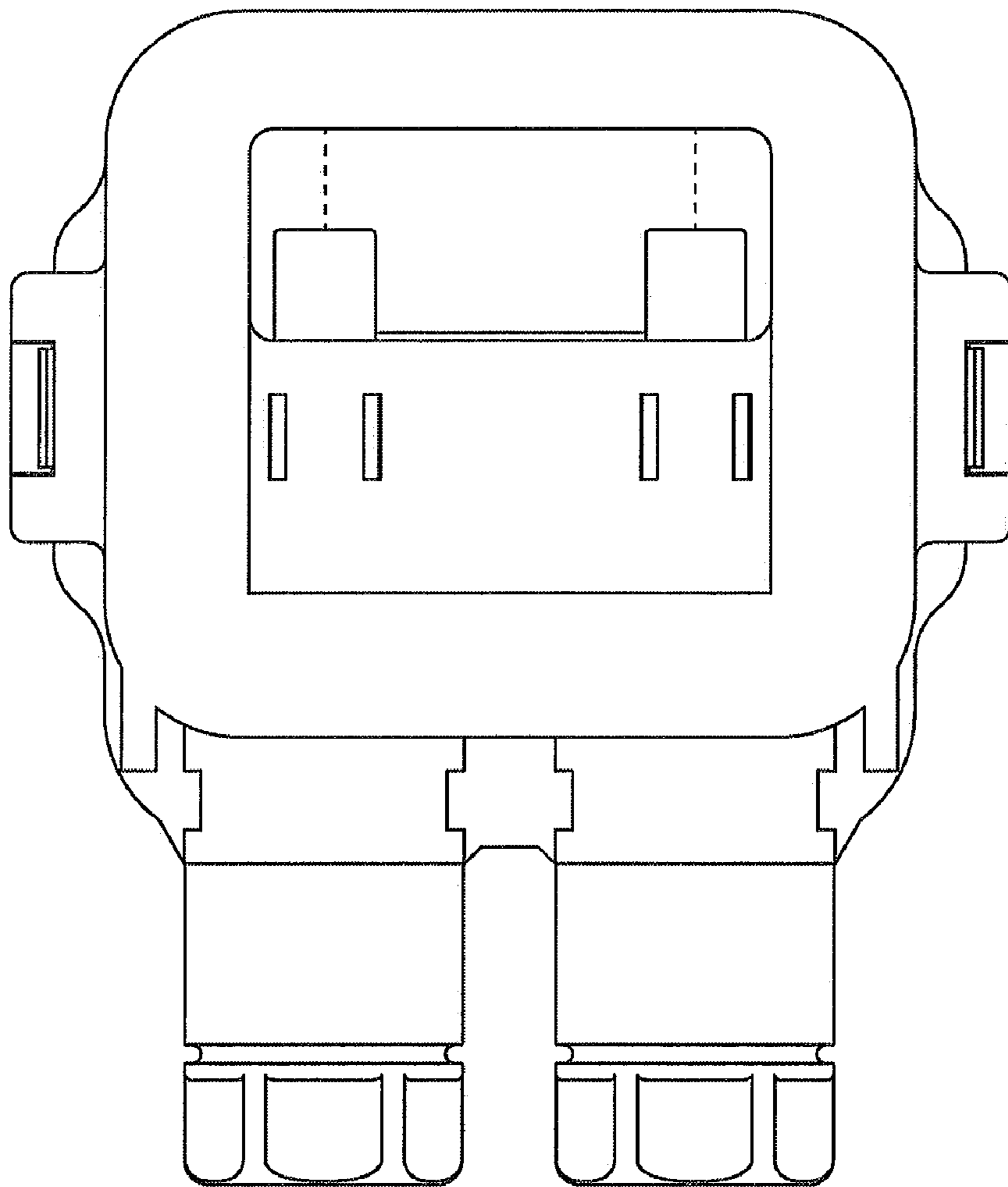


Fig. 3

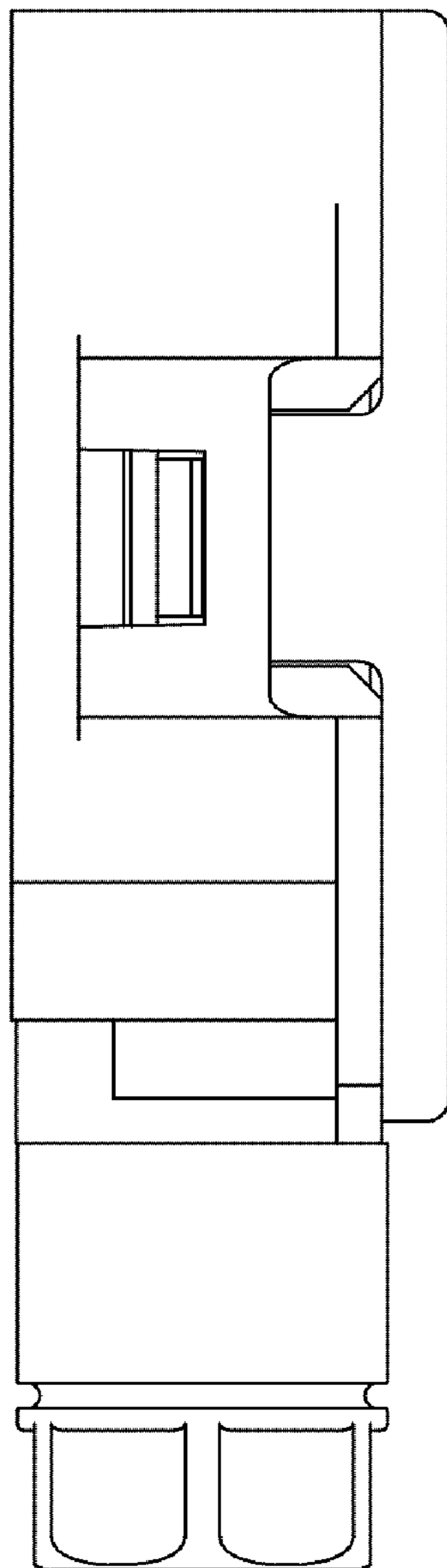


Fig. 4

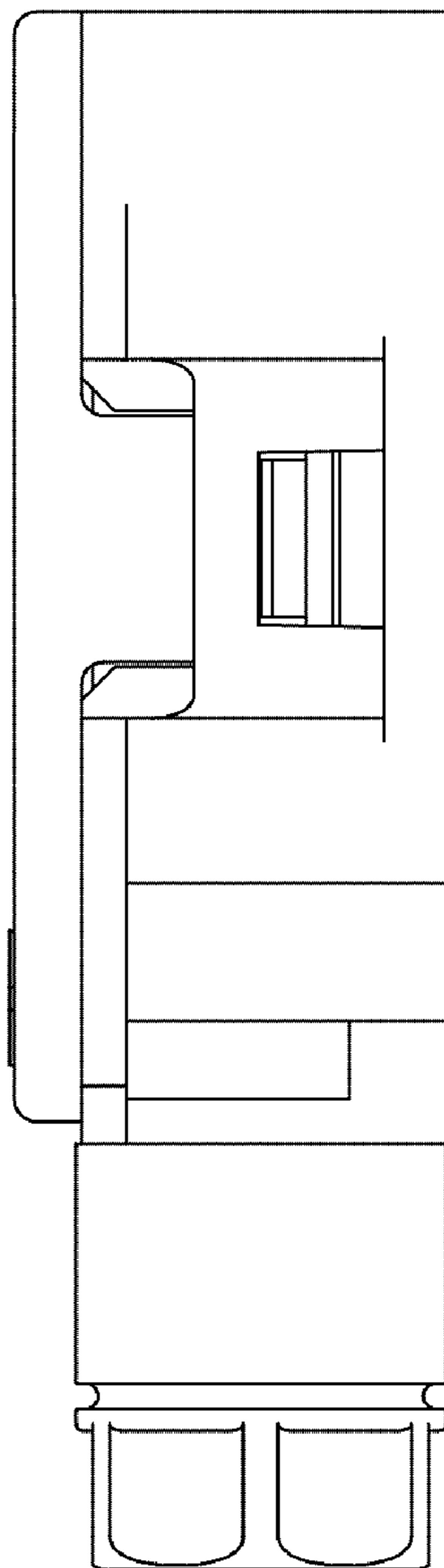


Fig. 5

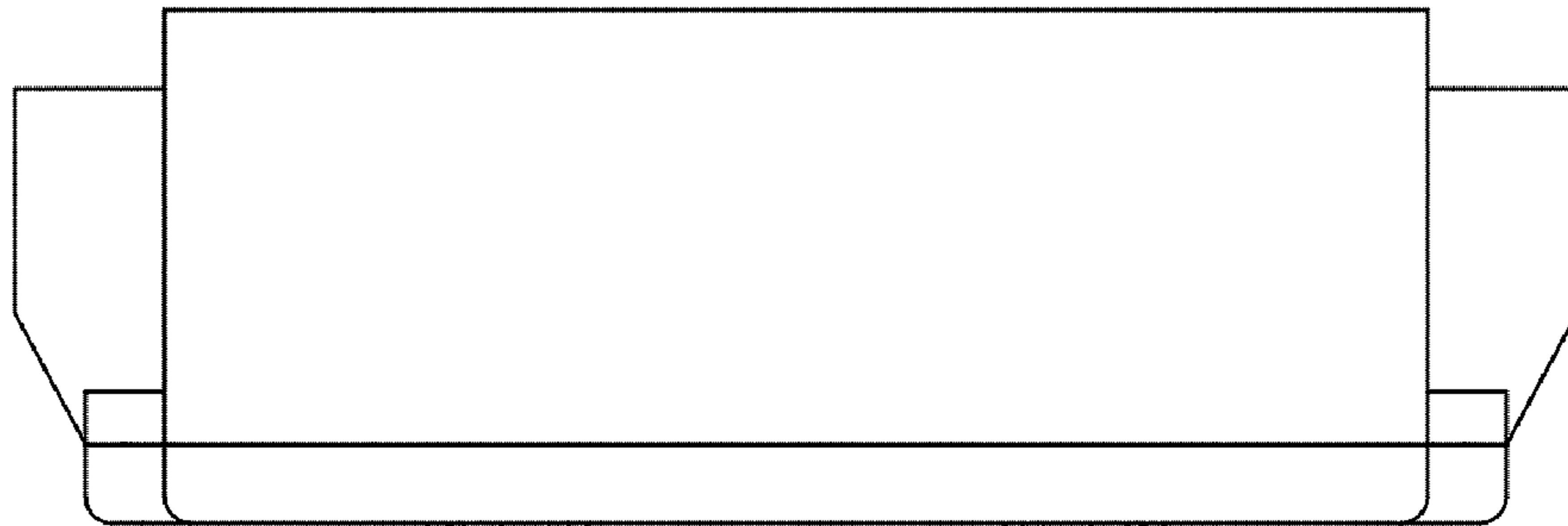


Fig. 6

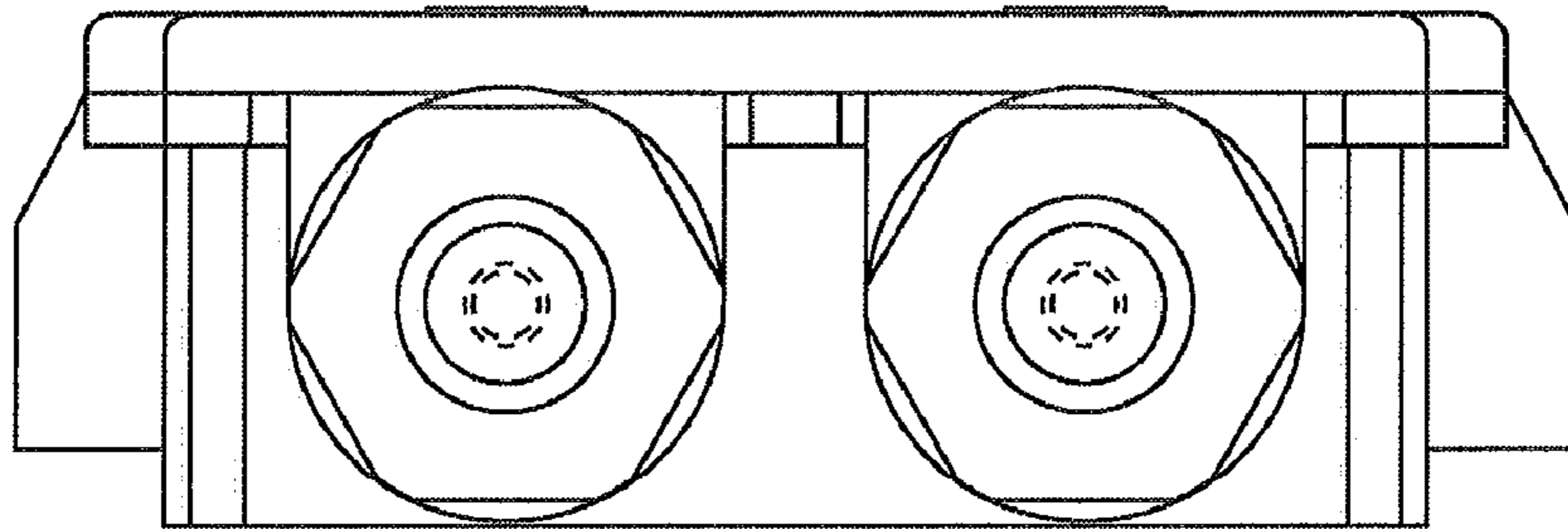


Fig. 7

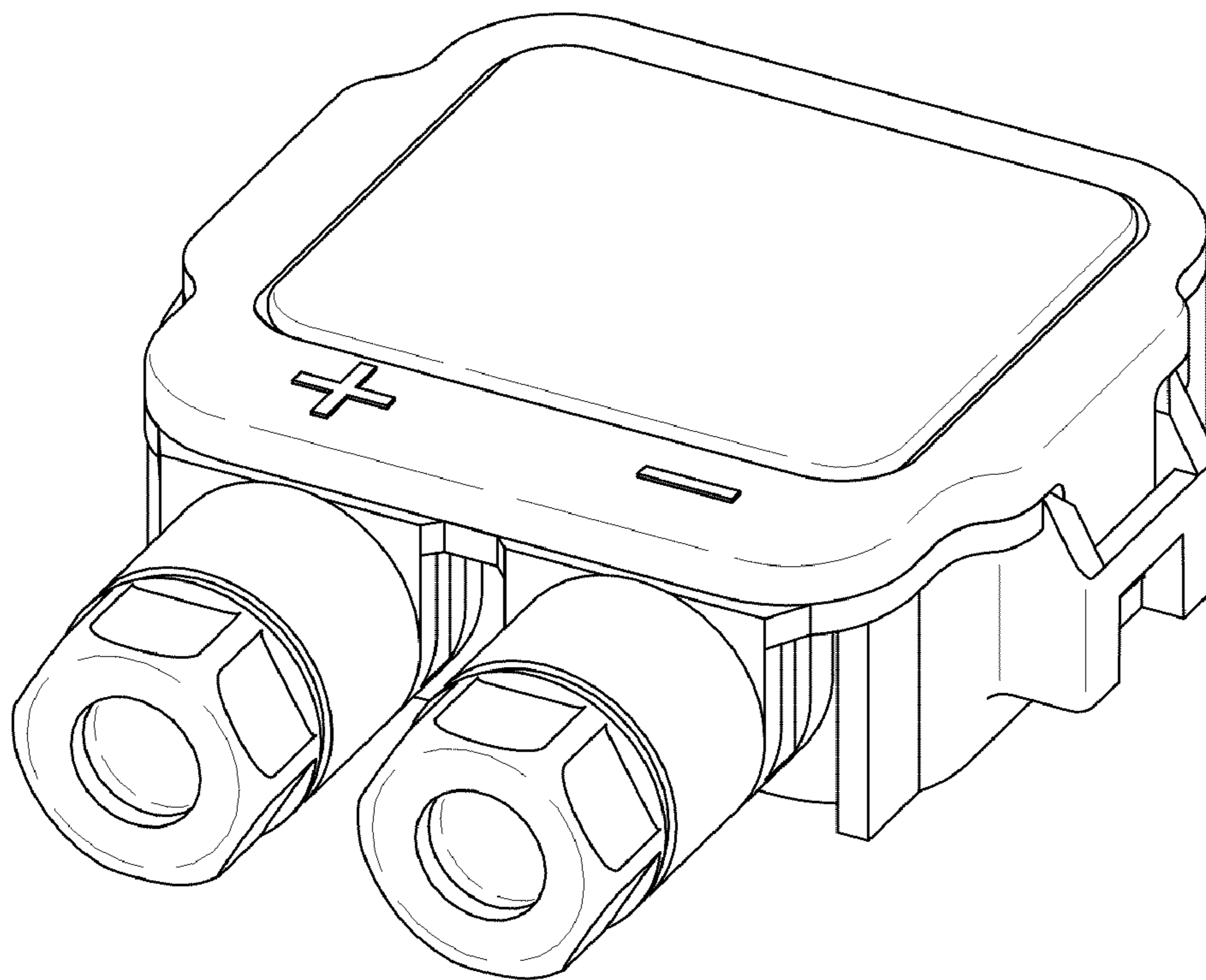
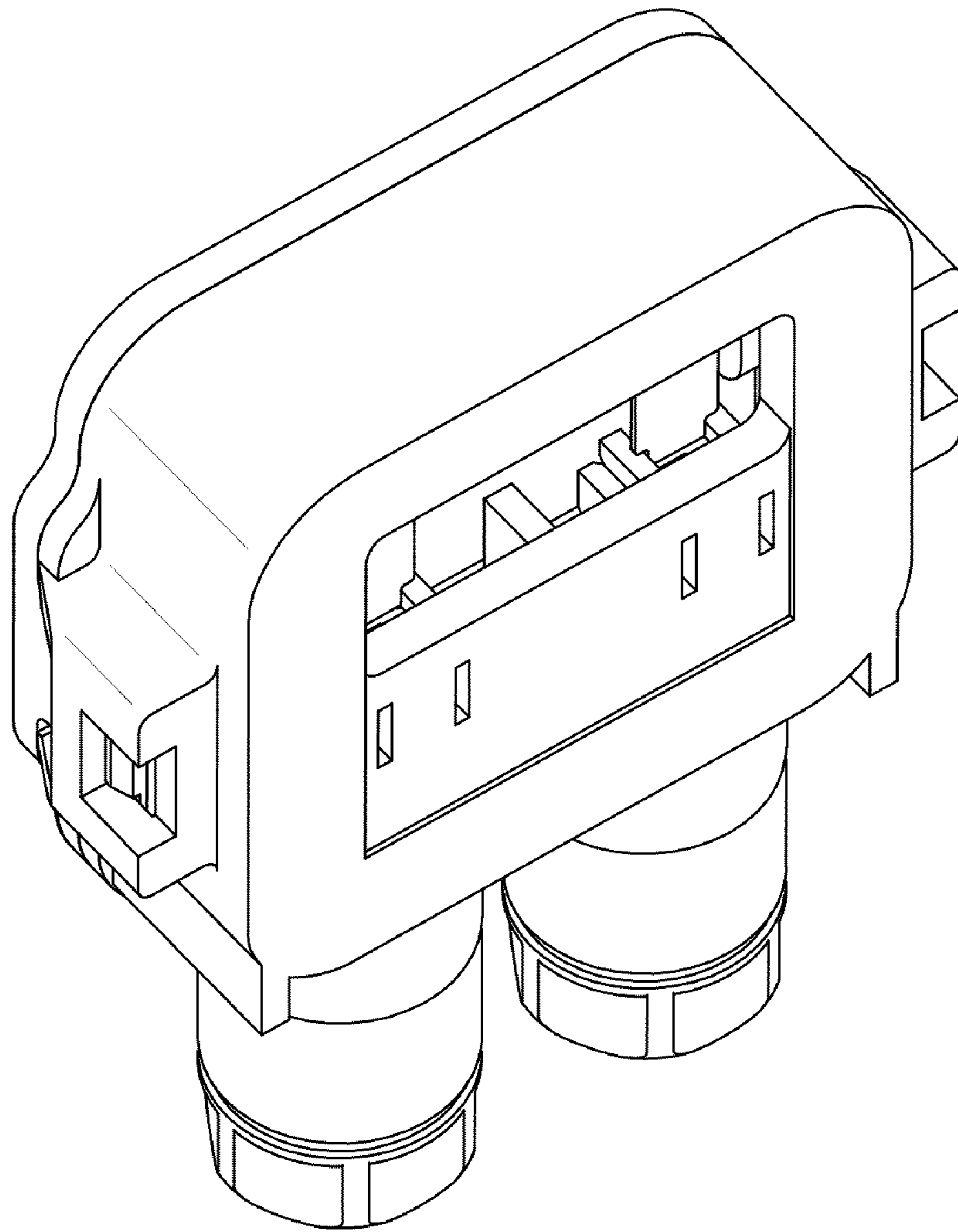




Fig. 8



UNITED STATES PATENT AND TRADEMARK OFFICE  
**CERTIFICATE OF CORRECTION**

PATENT NO. : D645,821 S  
APPLICATION NO. : 29/357492  
DATED : September 27, 2011  
INVENTOR(S) : Masumoto

Page 1 of 1

It is certified that error appears in the above-identified patent and that said Letters Patent is hereby corrected as shown below:

Title of the Patent, Item (73) Assignee, Line 1, "Corproation" should read -- Corporation --

Signed and Sealed this  
Third Day of January, 2012

A handwritten signature in black ink that reads "David J. Kappos". The signature is written in a cursive style with a large initial 'D' and 'K'.

David J. Kappos  
*Director of the United States Patent and Trademark Office*