



US00D645818S

(12) **United States Design Patent**
Guccione et al.

(10) **Patent No.:** **US D645,818 S**
(45) **Date of Patent:** **** Sep. 27, 2011**

(54) **DEVICE BATTERY CHARGER**

(75) Inventors: **Darren S. Guccione**, Wheaton, IL (US);
Craig B. Lurey, El Dorado Hills, CA
(US)

(73) Assignee: **Callpod, Inc.**, Chicago, IL (US)

(**) Term: **14 Years**

(21) Appl. No.: **29/350,391**

(22) Filed: **Nov. 16, 2009**

(51) **LOC (9) Cl.** **13-02**

(52) **U.S. Cl.** **D13/108**

(58) **Field of Classification Search** D13/107-110,
D13/118-119, 184, 199; D14/251, 253,
D14/432, 434; 320/107-115

See application file for complete search history.

(56) **References Cited**

U.S. PATENT DOCUMENTS

D433,994 S * 11/2000 Jobs et al. D13/110
(Continued)

Primary Examiner — Rosemary K Tarcza

(74) *Attorney, Agent, or Firm* — McCracken & Frank LLP

(57) **CLAIM**

The ornamental design for a device battery charger, as shown and described herein.

DESCRIPTION

FIG. 1 is an isometric view of a top, front, and left side of an embodiment of an ornamental design for a device battery charger;

FIG. 2 is a front elevational view of the device battery charger of FIG. 1;

FIG. 3 is a rear elevational view of the device battery charger of FIG. 1;

FIG. 4 is a left side elevational view of the device battery charger of FIG. 1;

FIG. 5 is a right side elevational view of the device battery charger of FIG. 1;

FIG. 6 is a top plan view of the device battery charger of FIG. 1;

FIG. 7 is a bottom plan view of the device battery charger of FIG. 1;

FIG. 8 is an isometric view of a top, front, and left side of an alternative embodiment of the device battery charger of FIG. 1;

FIG. 9 is a front elevational view of the device battery charger of FIG. 8;

FIG. 10 is an isometric view of a top, front, and left side of another embodiment of an ornamental design for a device battery charger;

FIG. 11 is a front elevational view of the device battery charger of FIG. 10;

FIG. 12 is a rear elevational view of the device battery charger of FIG. 10;

FIG. 13 is a left side elevational view of the device battery charger of FIG. 10;

FIG. 14 is a right side elevational view of the device battery charger of FIG. 10;

FIG. 15 is a top plan view of the device battery charger of FIG. 10;

FIG. 16 is a bottom plan view of the device battery charger of FIG. 10;

FIG. 17 is an isometric view of a top, front, and left side of still another embodiment of an ornamental design for a device battery charger;

FIG. 18 is a front elevational view of the device battery charger of FIG. 17;

FIG. 19 is a rear elevational view of the device battery charger of FIG. 17;

FIG. 20 is a left side elevational view of the device battery charger of FIG. 17;

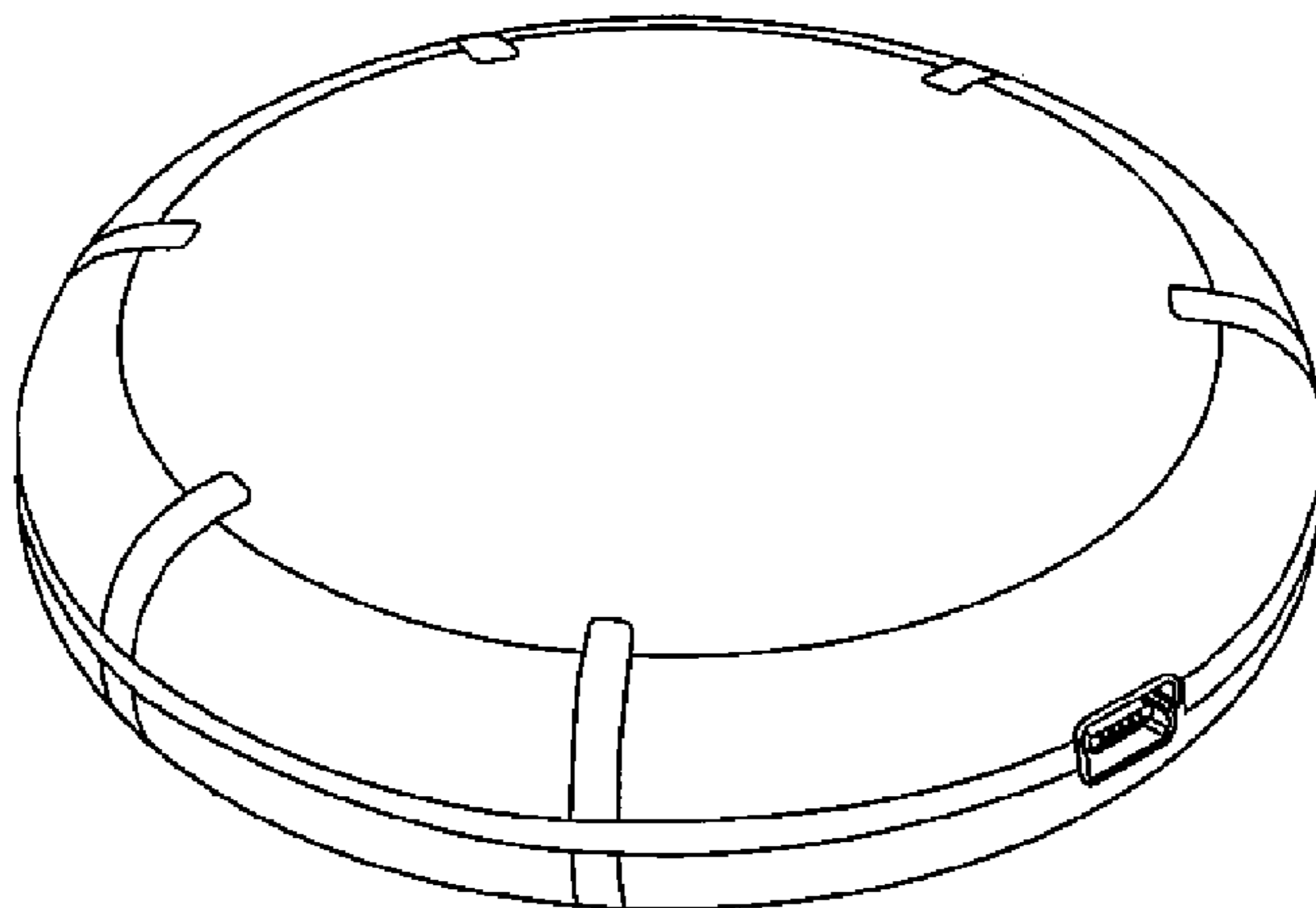
FIG. 21 is a right side elevational view of the device battery charger of FIG. 17;

FIG. 22 is a top plan view of the device battery charger of FIG. 17; and,

FIG. 23 is a bottom plan view of the device battery charger of FIG. 17.

The broken lines shown in the drawings are included for the purpose of illustrating unclaimed portions of the device battery charger, and form no part of the claimed design.

1 Claim, 9 Drawing Sheets



US D645,818 S

Page 2

U.S. PATENT DOCUMENTS

D467,539 S *	12/2002	Kataoka	D13/108	D558,207 S *	12/2007	Ikeda et al.	D14/434
D468,305 S *	1/2003	Ma et al.	D14/253	D558,208 S *	12/2007	Ikeda et al.	D14/434
D503,692 S *	4/2005	Basta	D13/184	D558,209 S *	12/2007	Ikeda et al.	D14/434
D521,927 S *	5/2006	Franck et al.	D13/108	D575,289 S *	8/2008	Kuo et al.	D14/434
D525,583 S *	7/2006	Vu	D13/108	D594,404 S *	6/2009	Kuo et al.	D13/107
D526,973 S *	8/2006	Gates et al.	D13/184	D596,561 S *	7/2009	Chon et al.	D13/108
D546,283 S *	7/2007	Cho	D13/110	D608,277 S *	1/2010	Cano et al.	D13/108
D548,688 S *	8/2007	Fee et al.	D13/107	D609,636 S *	2/2010	Jensen	D13/108
D550,614 S *	9/2007	Fee et al.	D13/107				

* cited by examiner

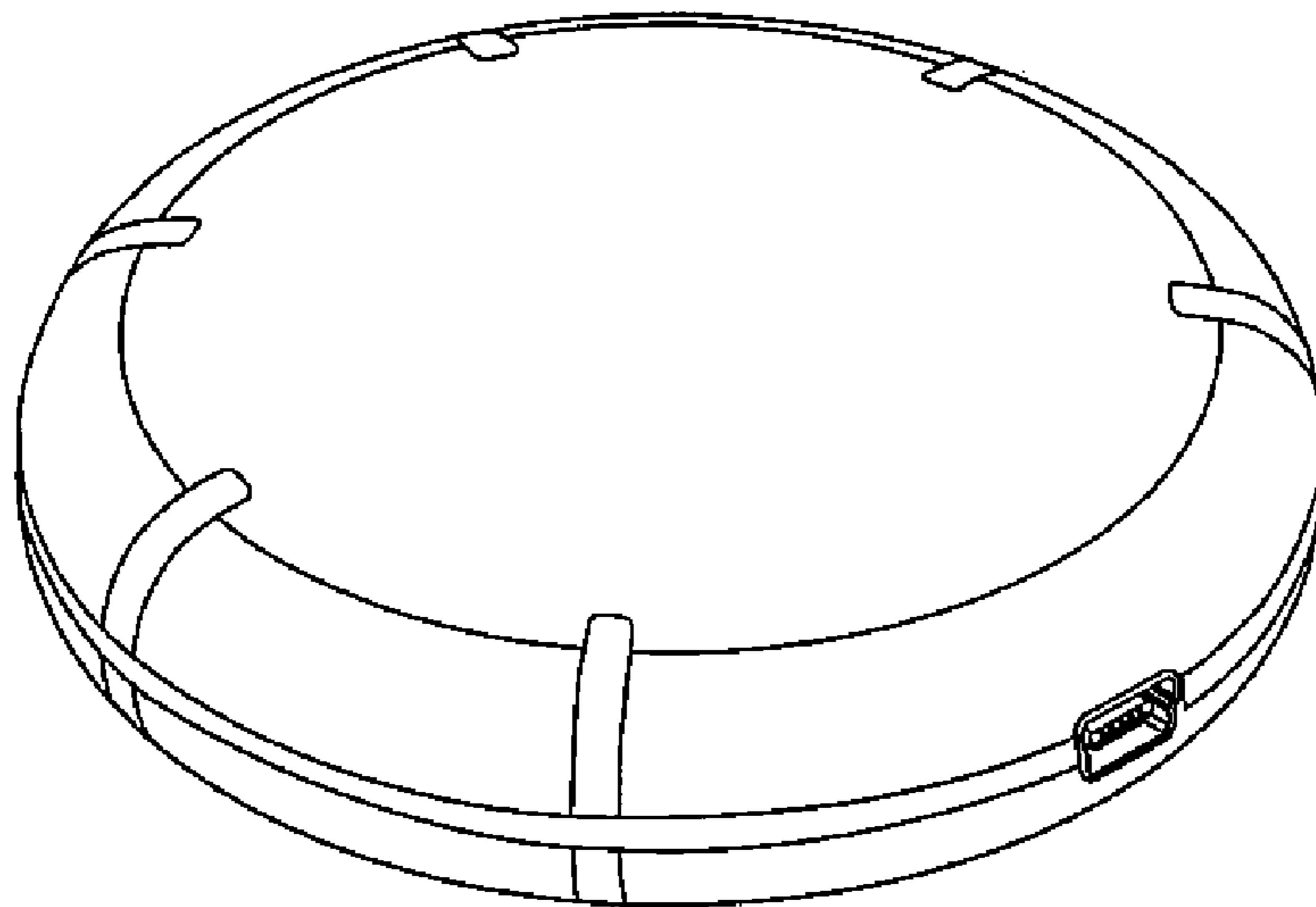


FIG. 1

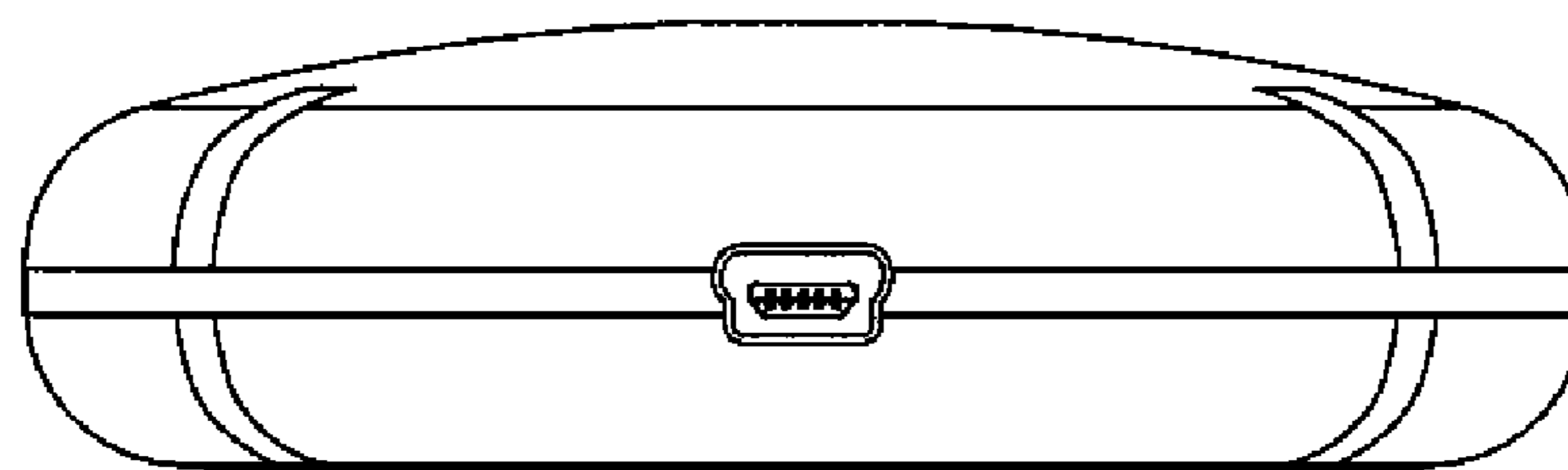


FIG. 2

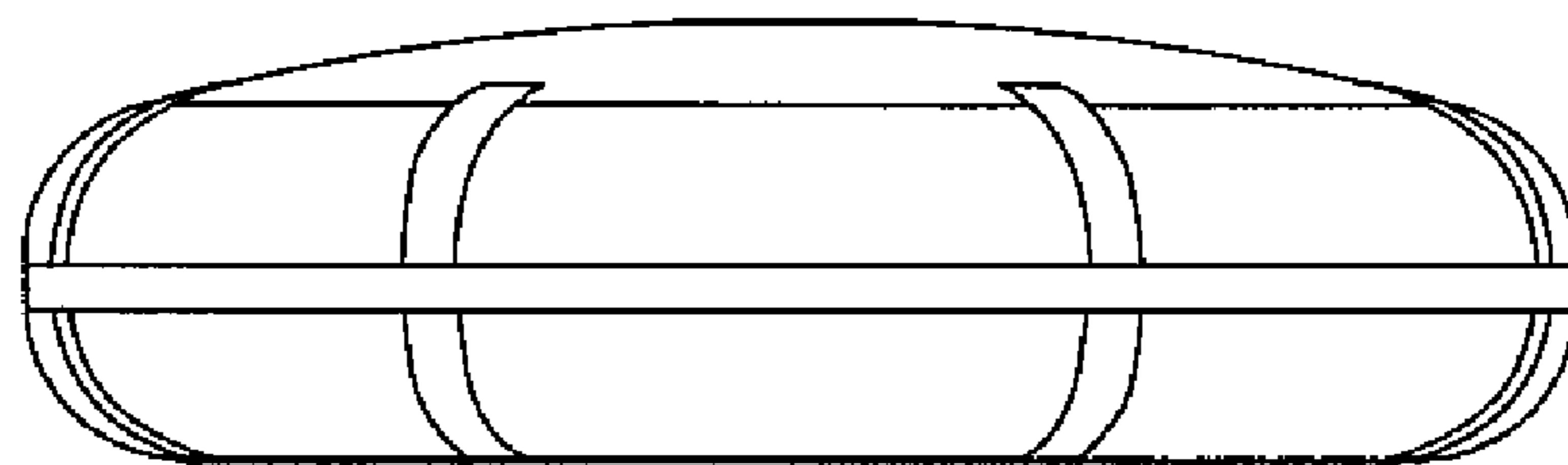


FIG. 3

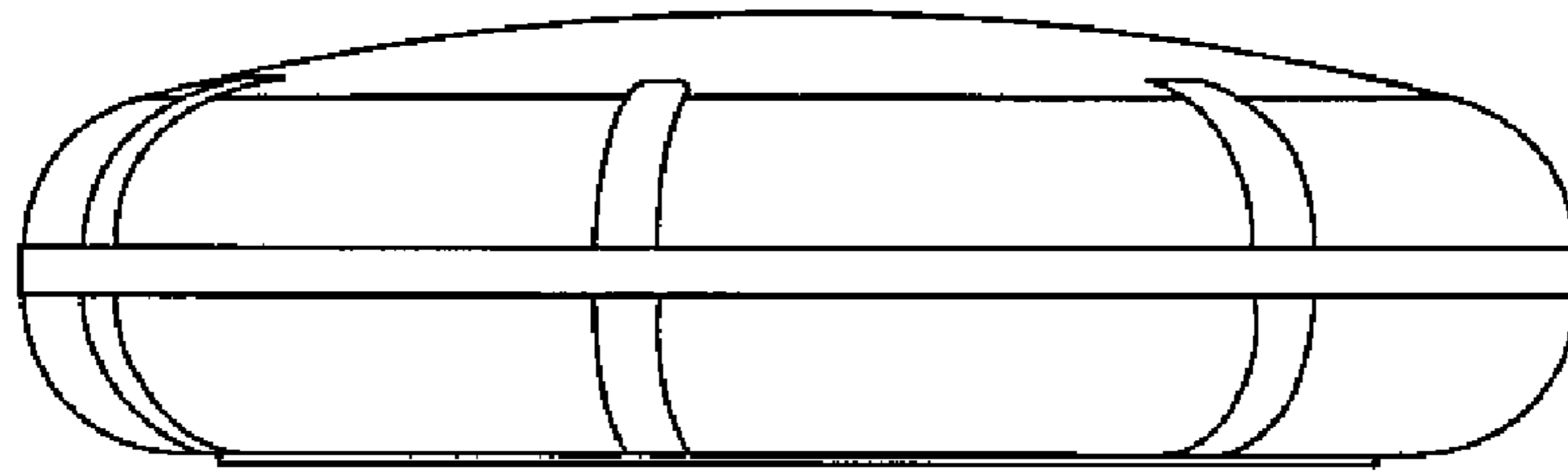


FIG. 4

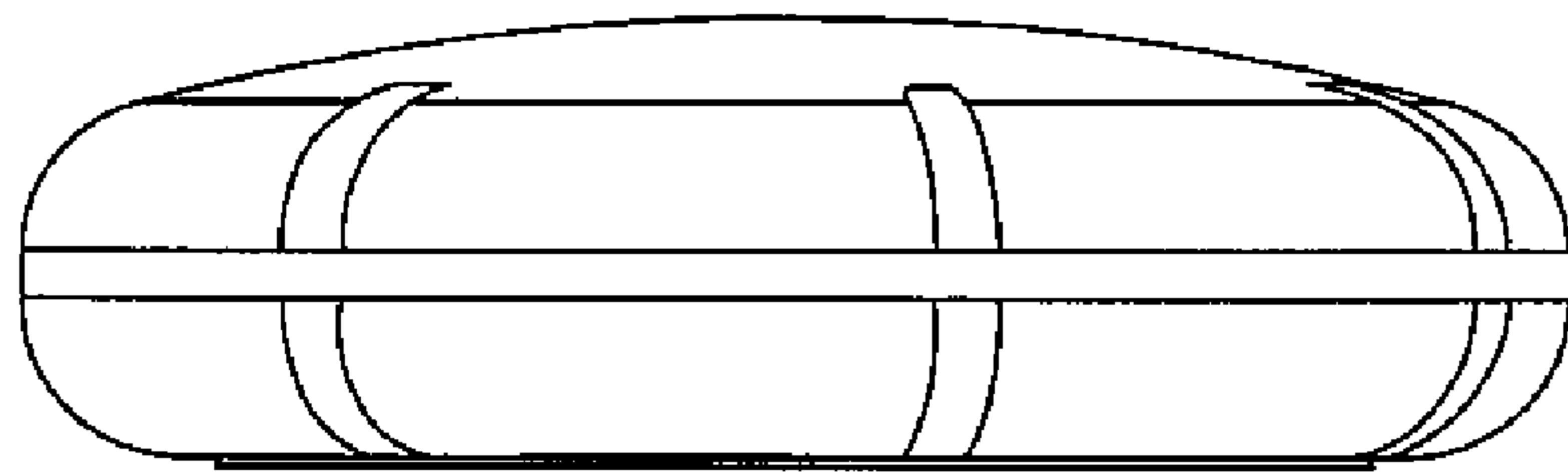


FIG. 5

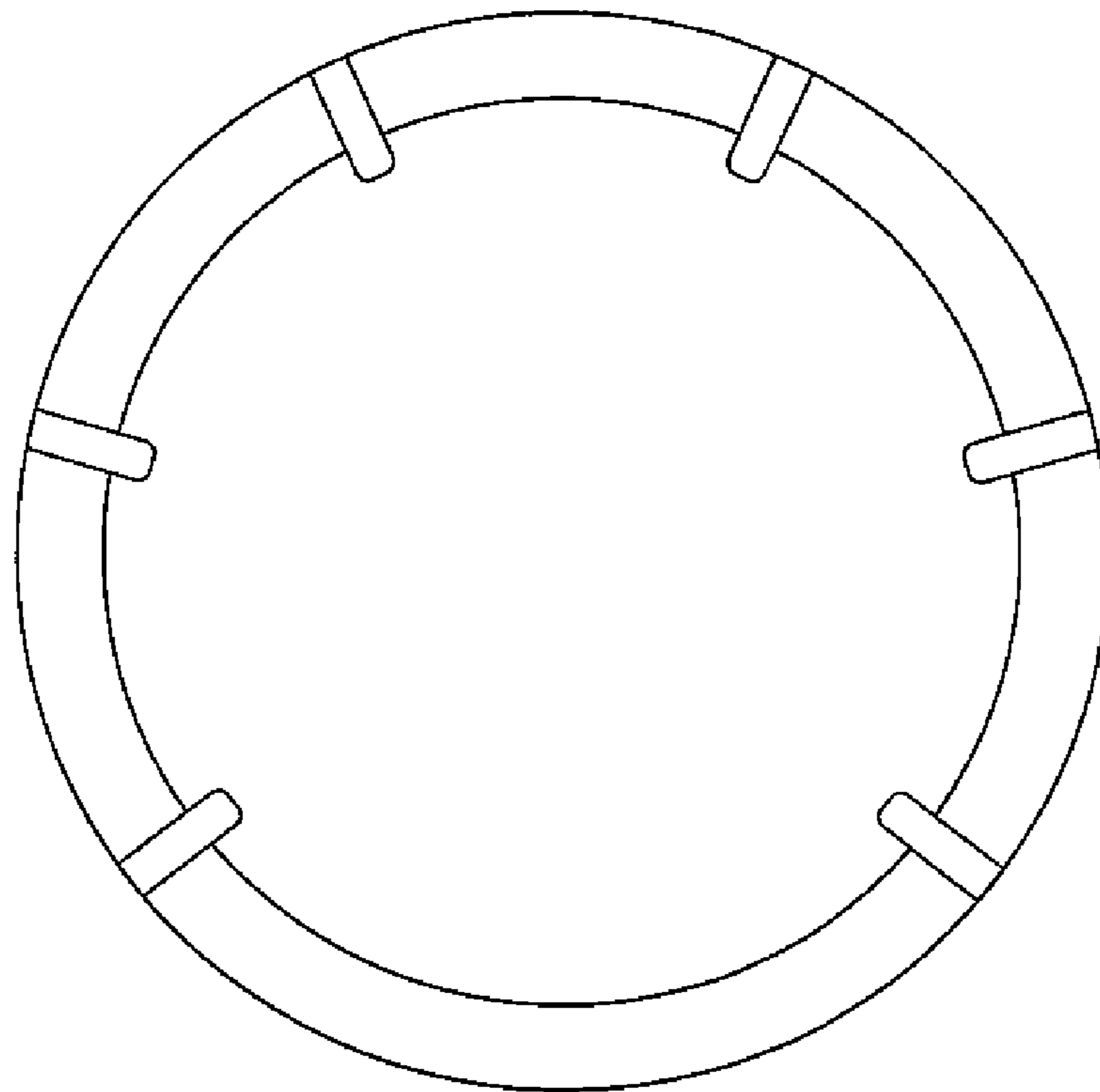


FIG. 6

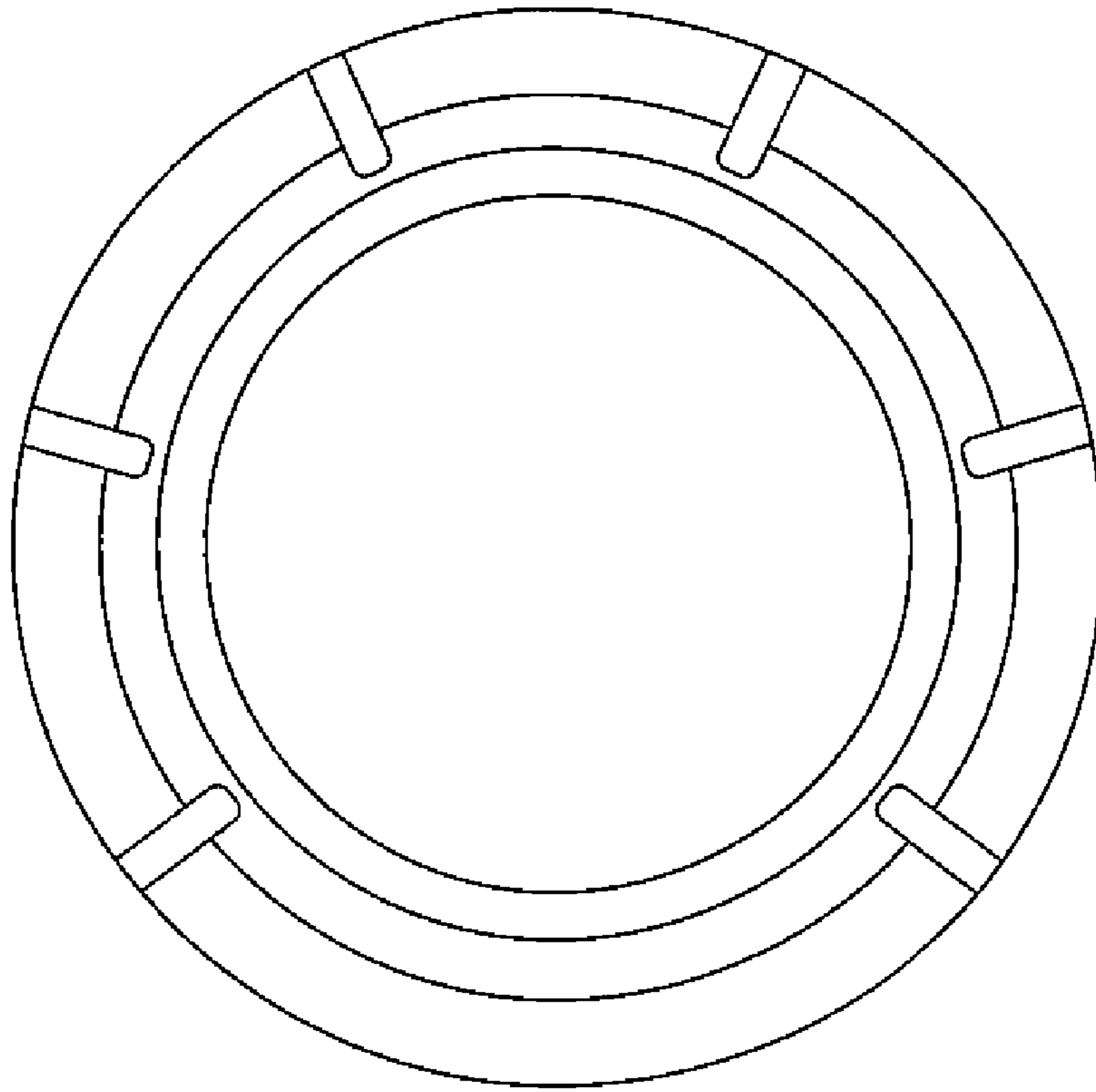


FIG. 7

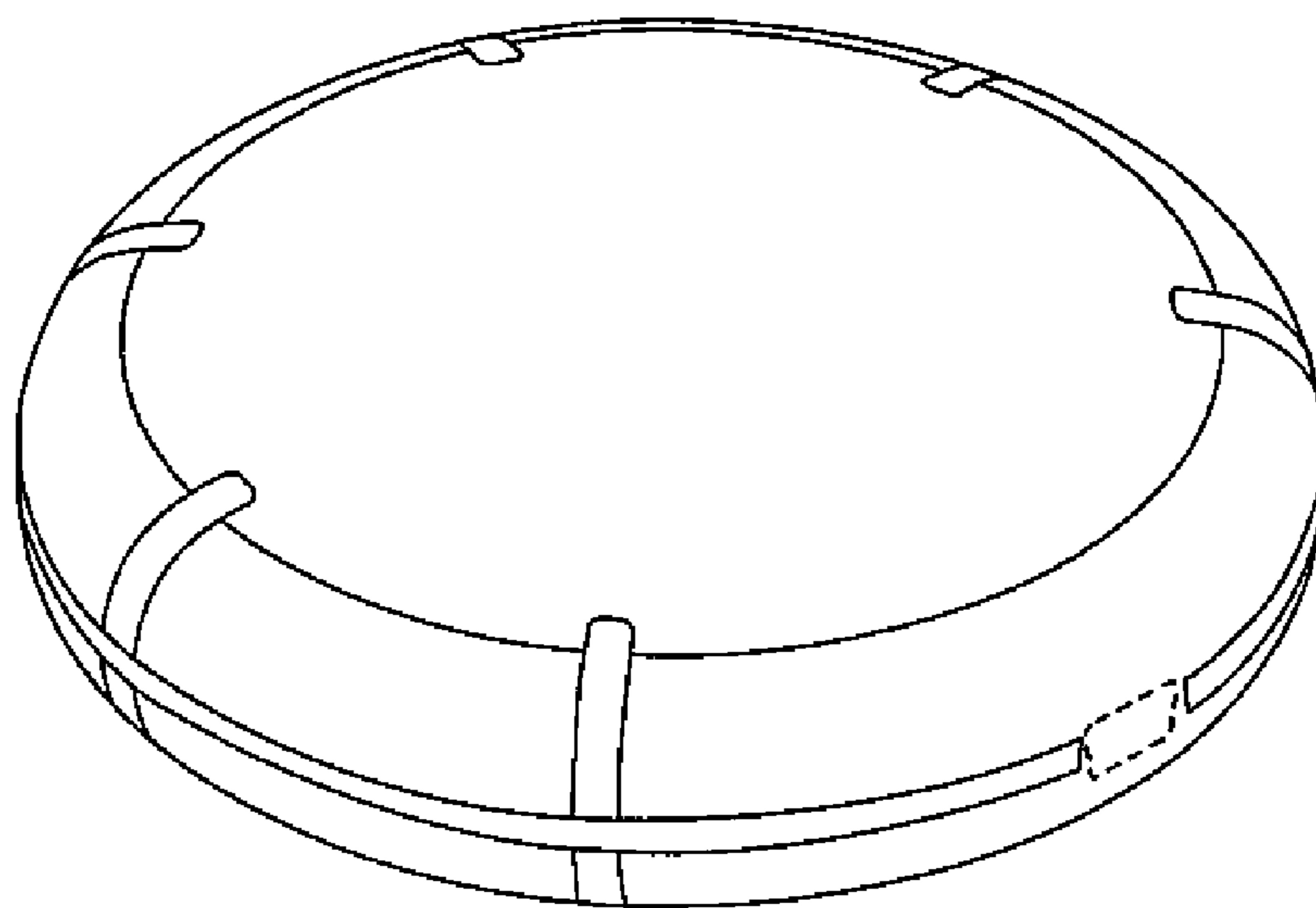


FIG. 8

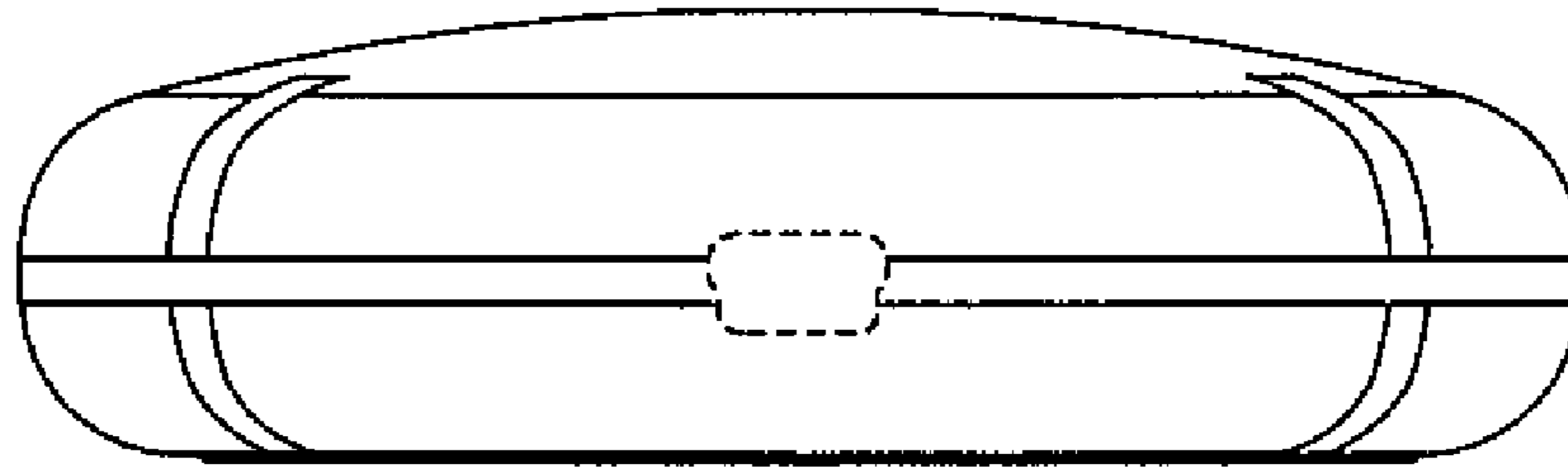


FIG. 9

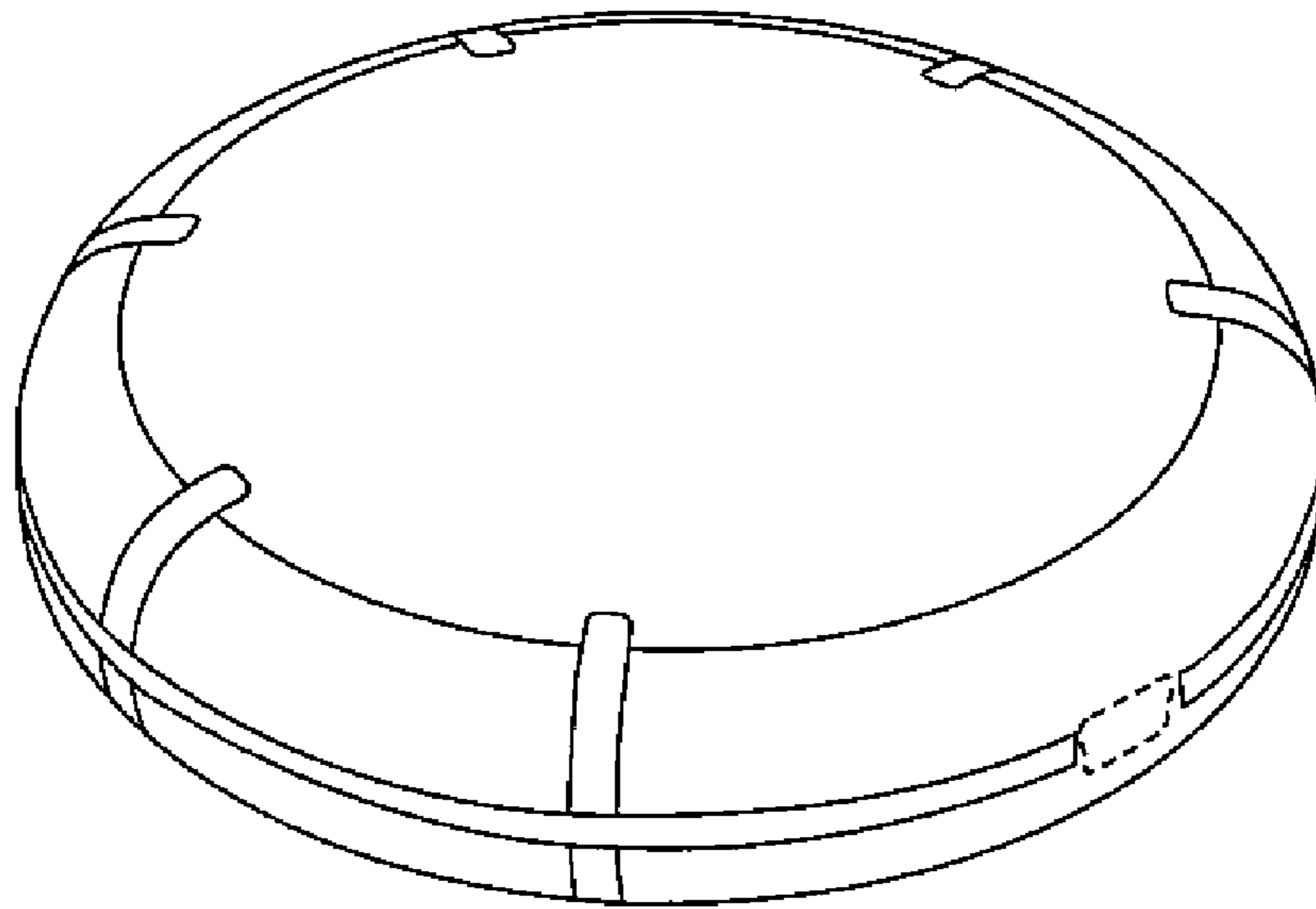


FIG. 10

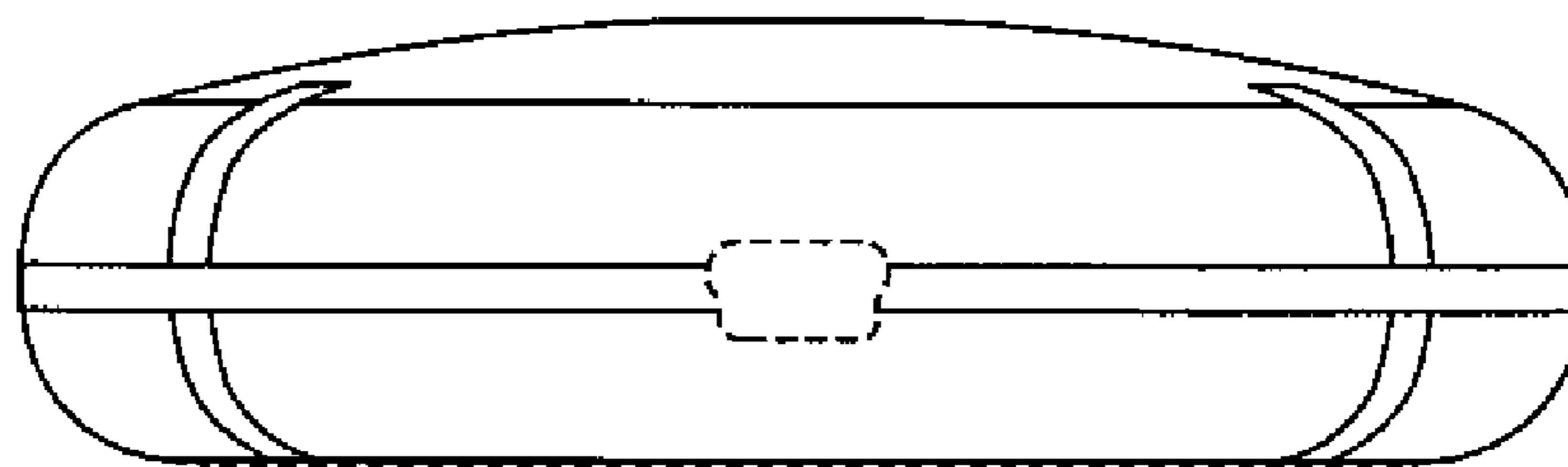


FIG. 11

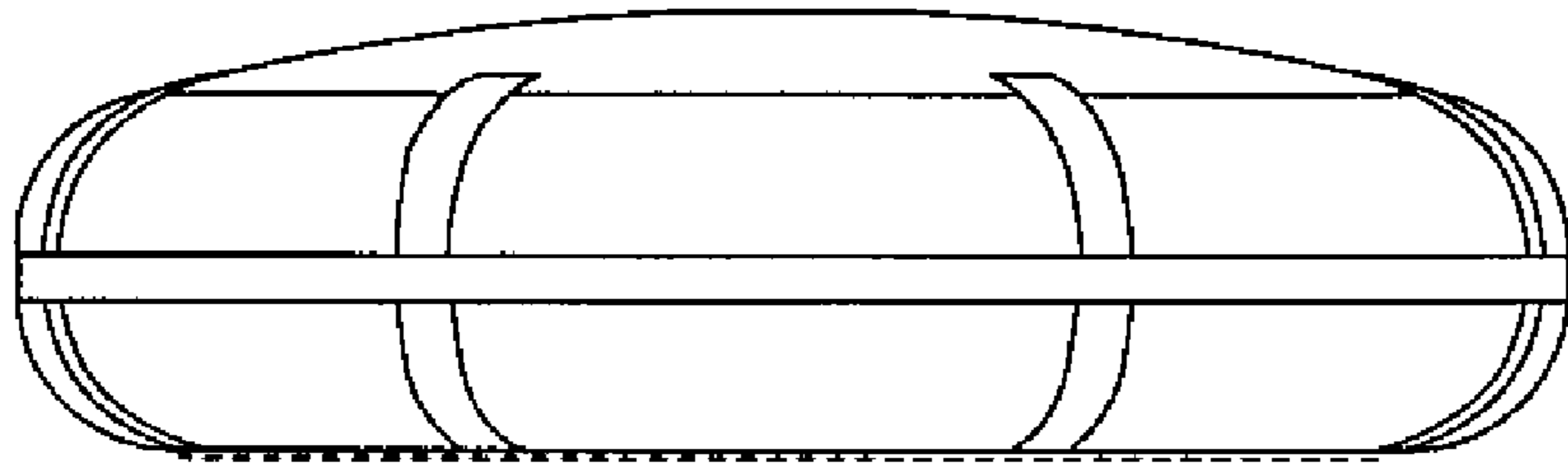


FIG. 12

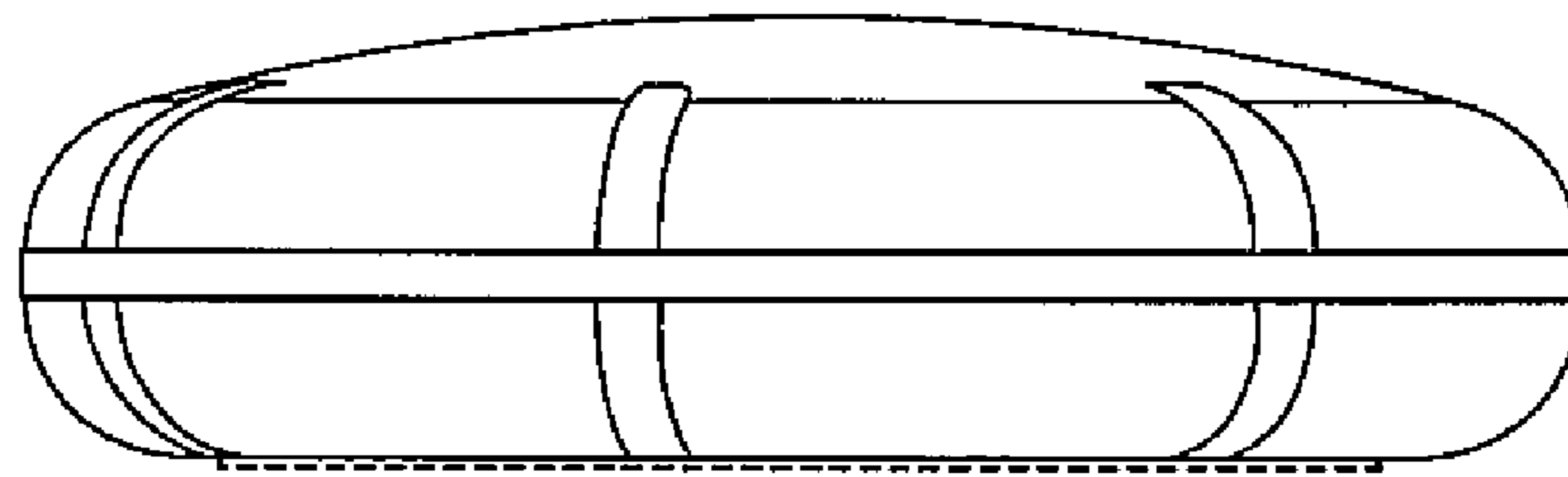


FIG. 13

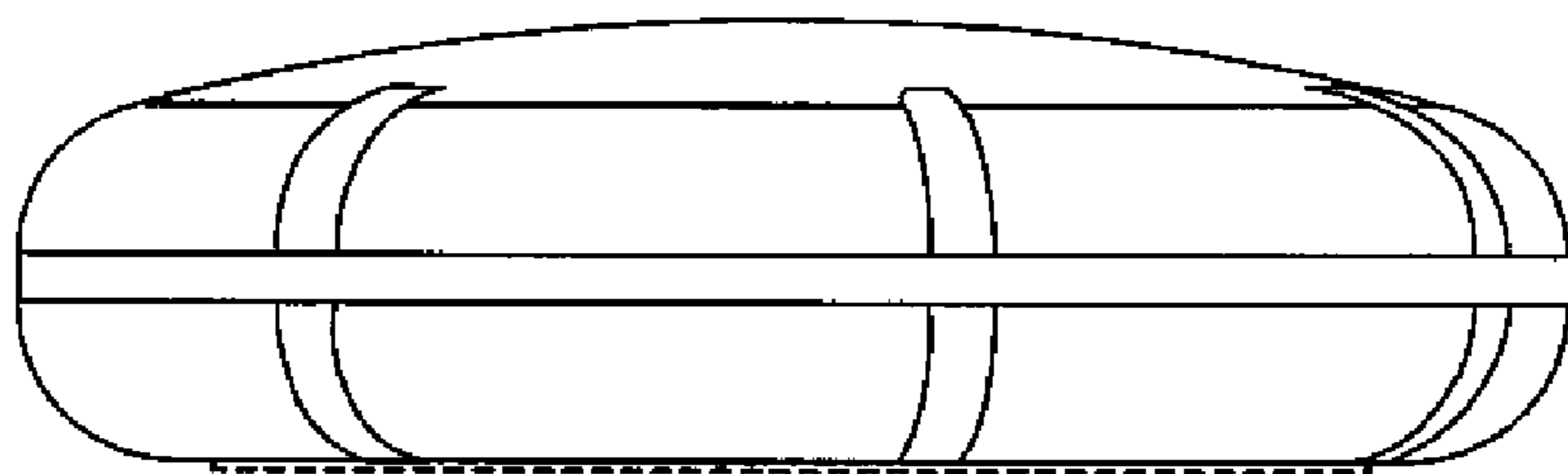


FIG. 14

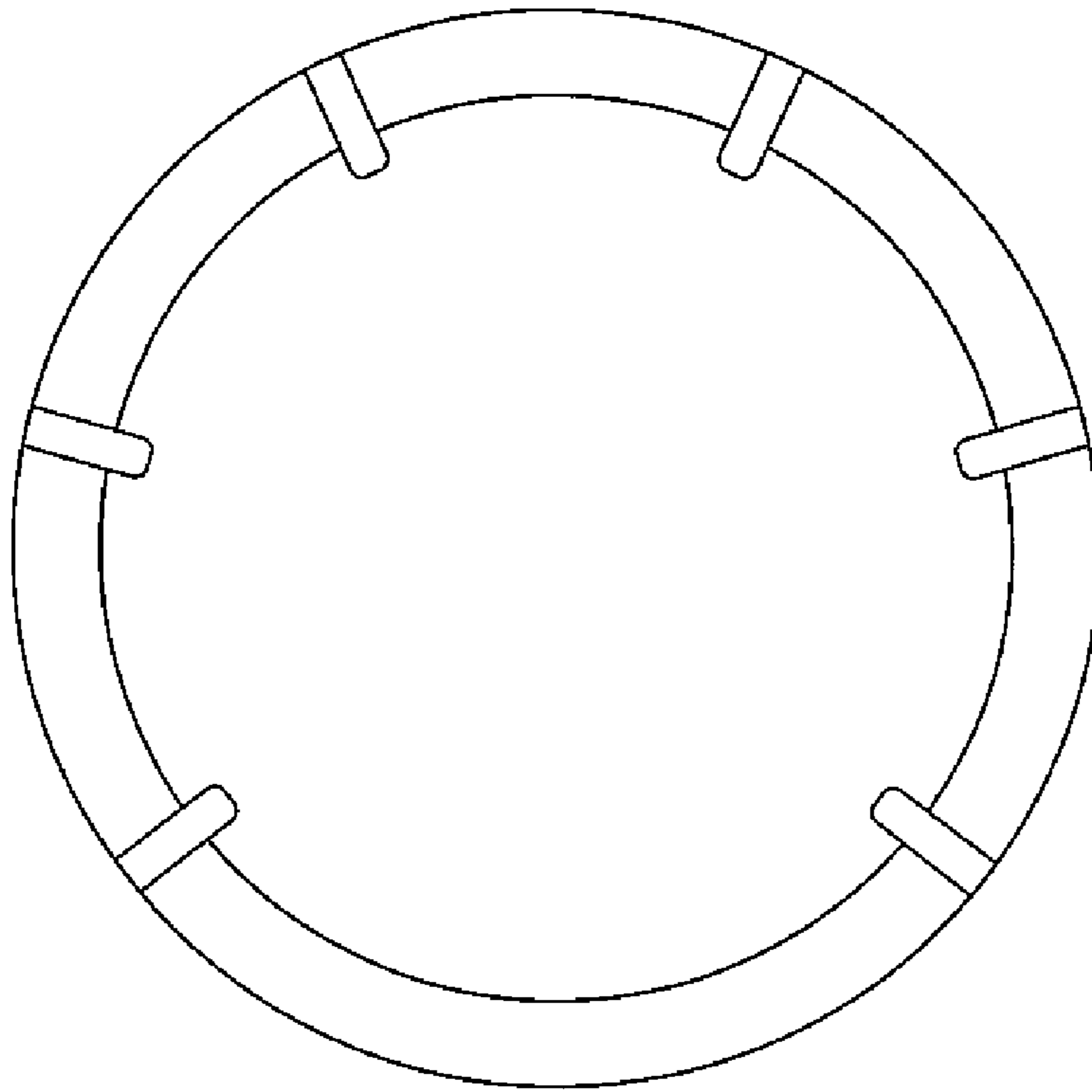


FIG. 15

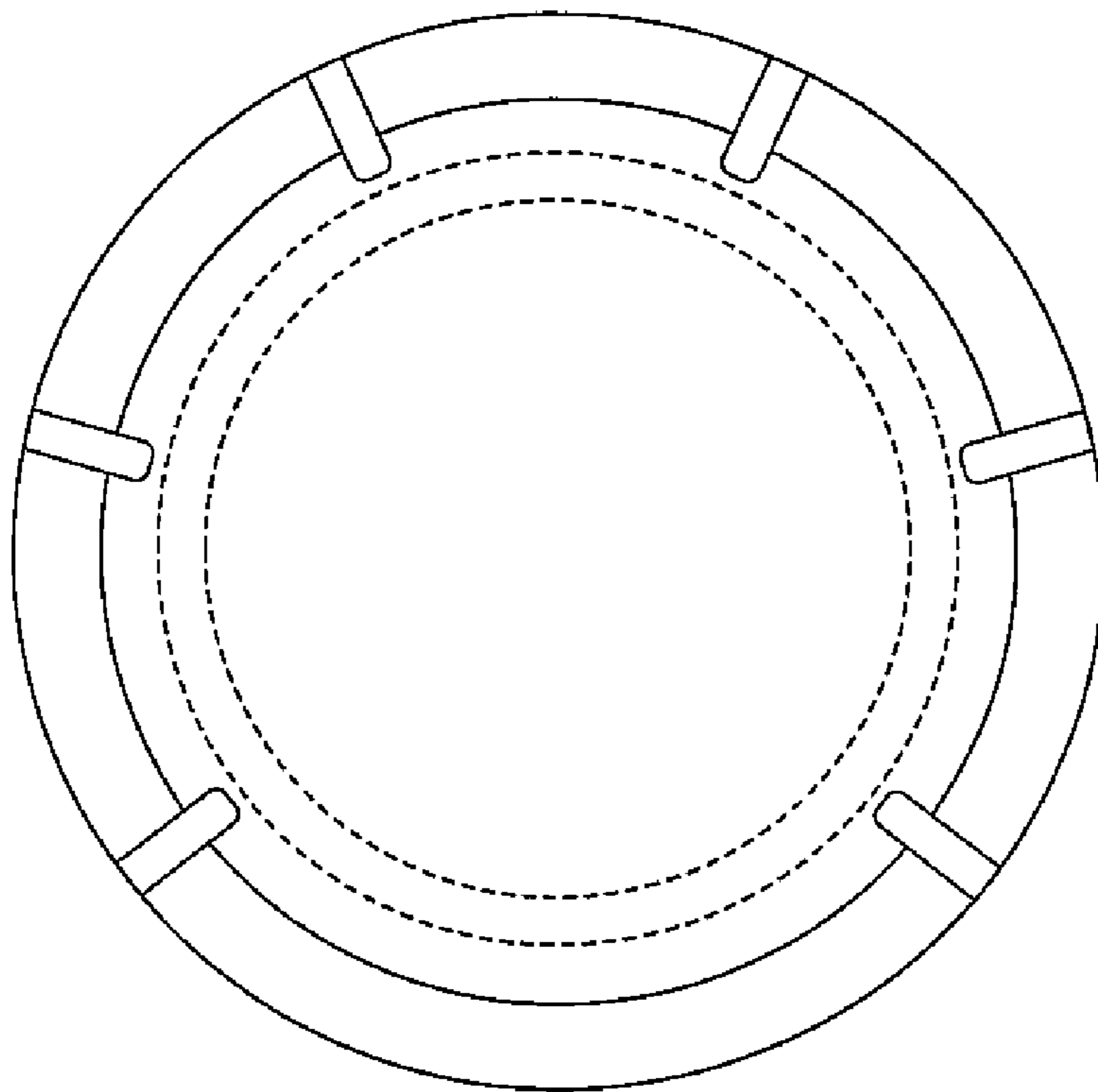


FIG. 16

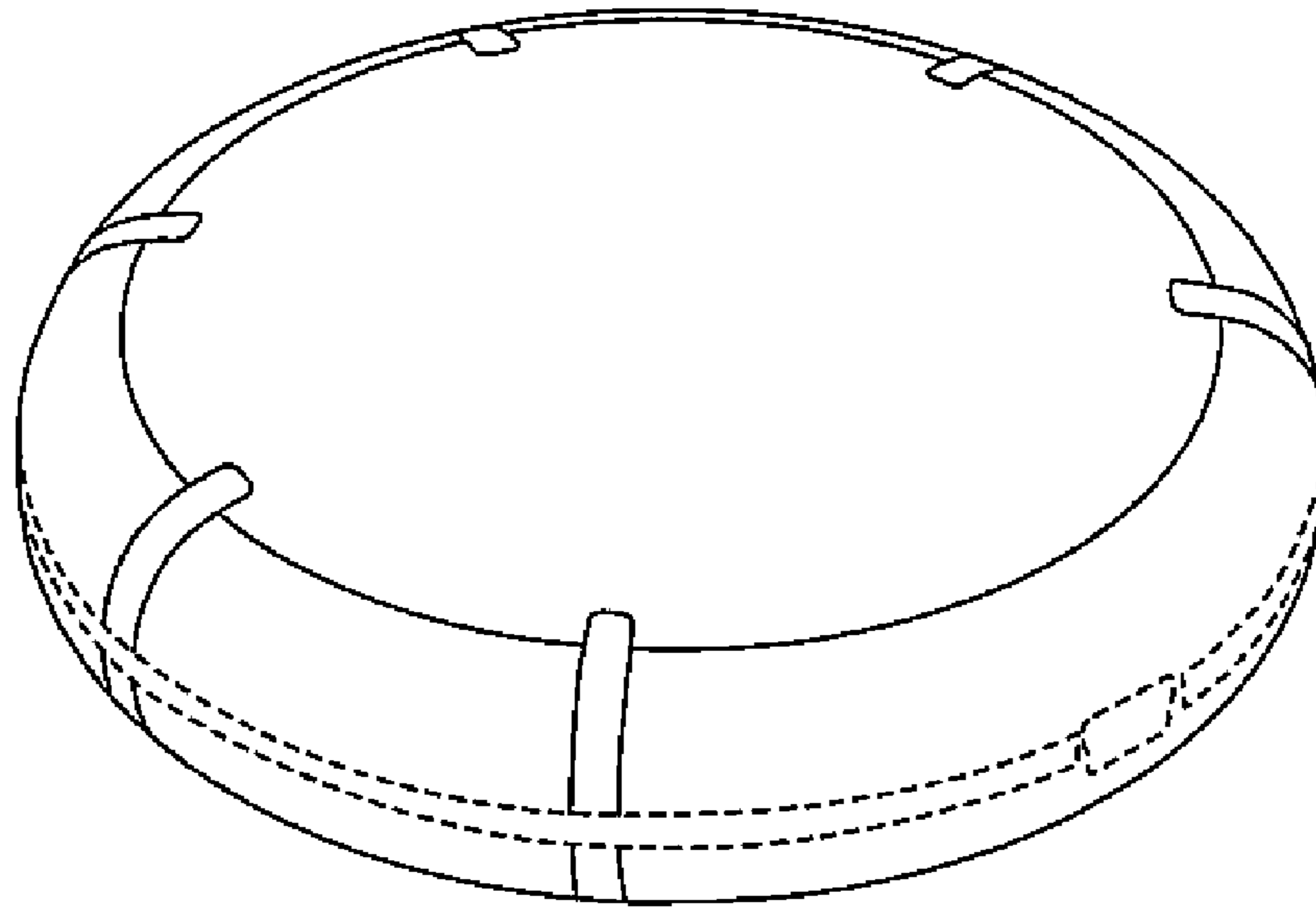


FIG. 17

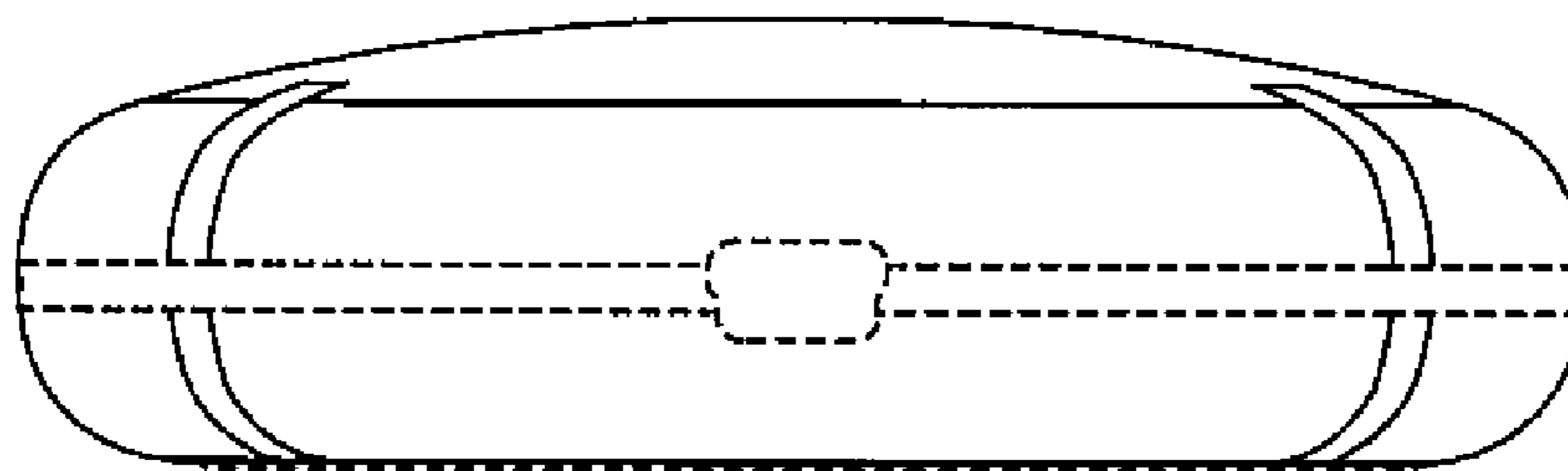


FIG. 18

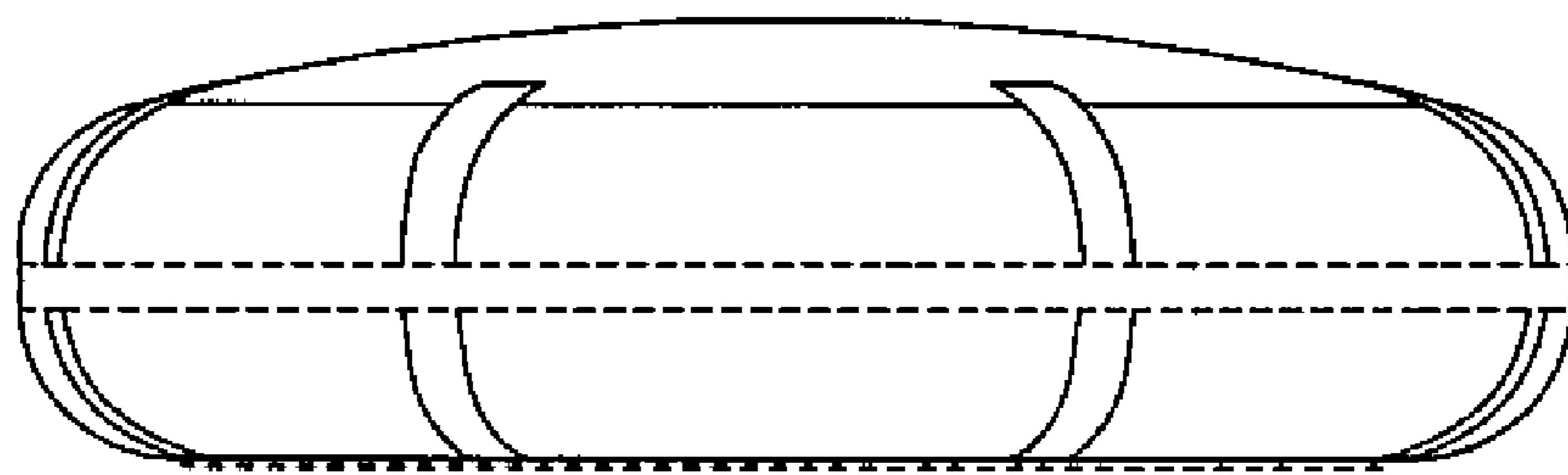


FIG. 19

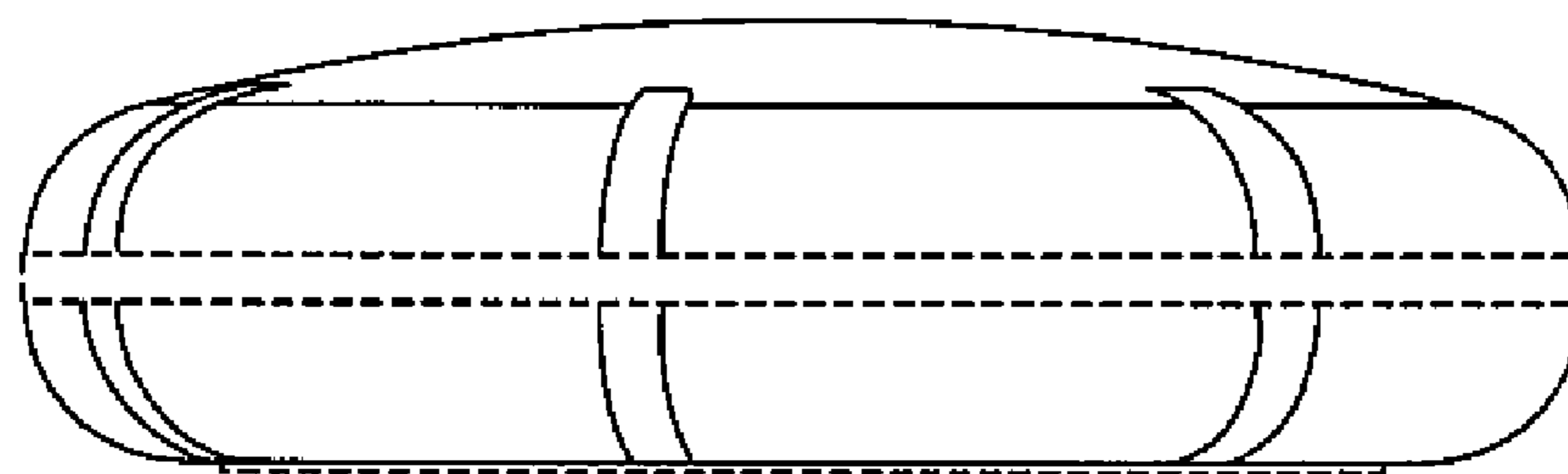


FIG. 20

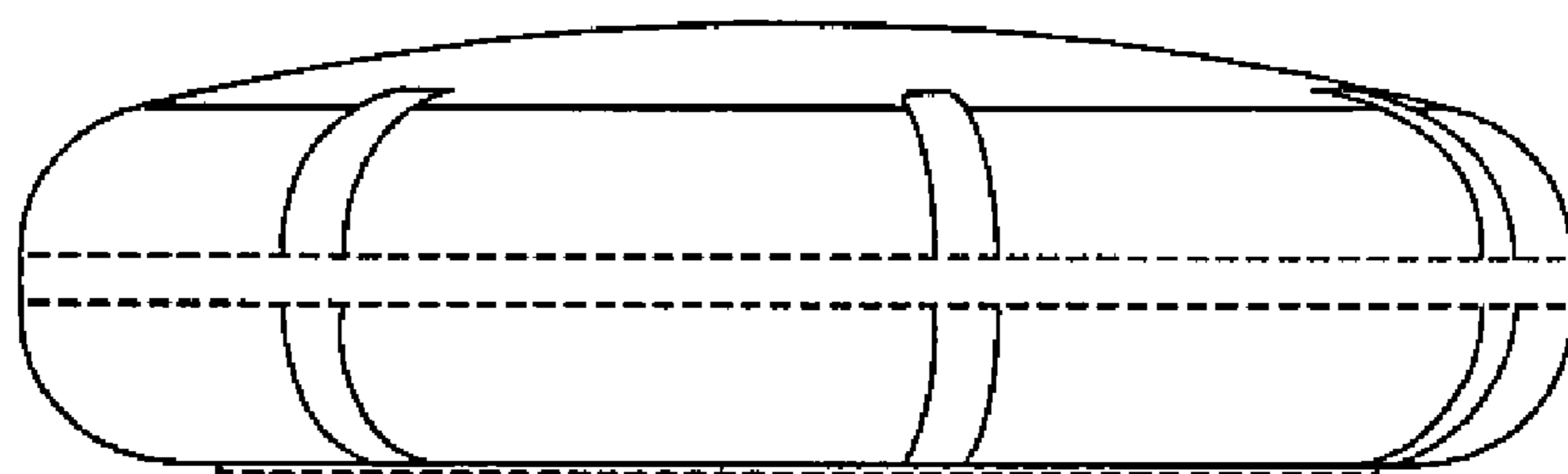


FIG. 21

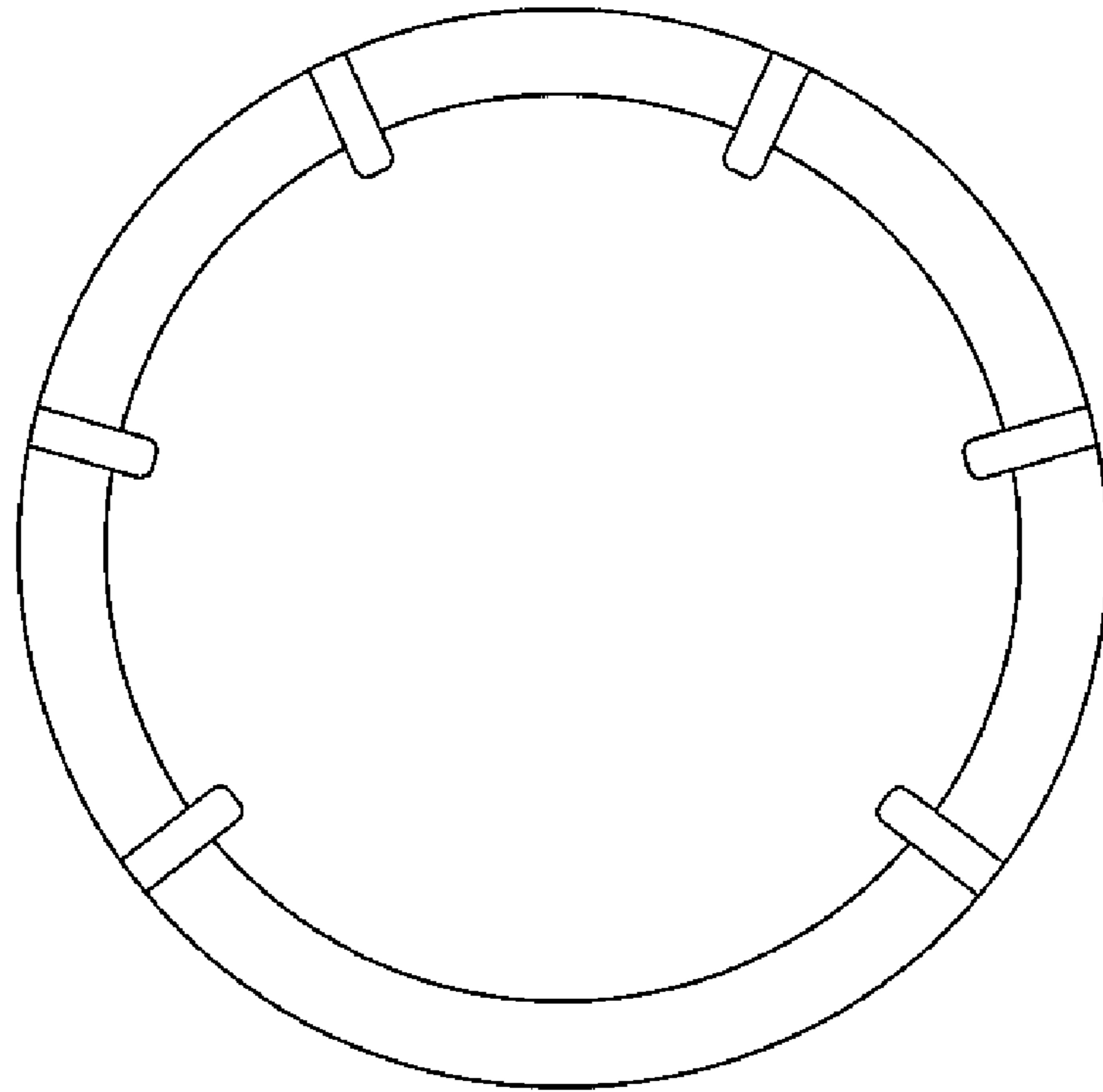


FIG. 22

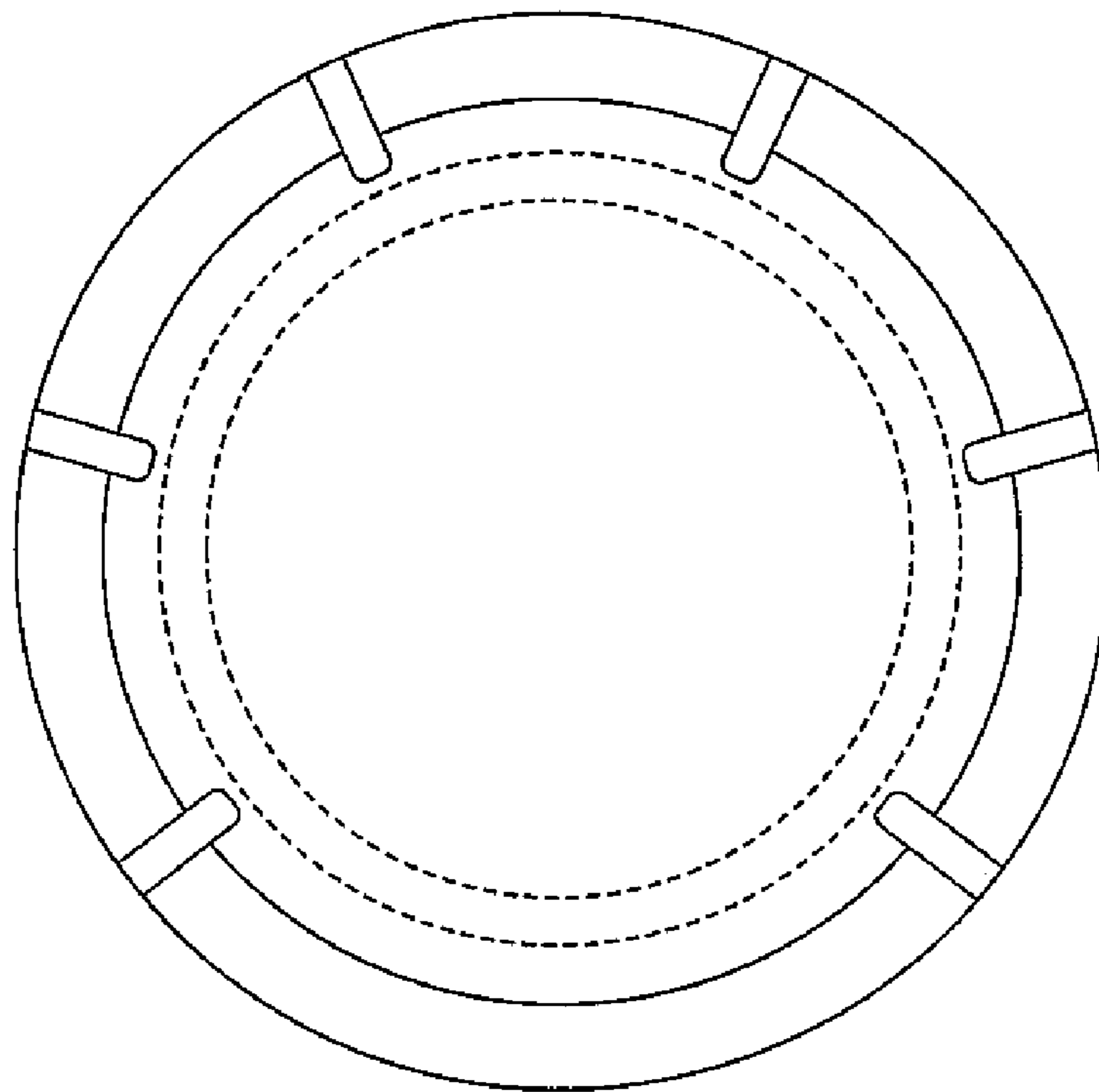


FIG. 23