



US00D645817S

(12) **United States Design Patent**
Sasada et al.

(10) **Patent No.:** **US D645,817 S**

(45) **Date of Patent:** **** Sep. 27, 2011**

(54) **BATTERY CHARGER**

(75) Inventors: **Motohiro Sasada**, Osaka (JP); **Shinji Oda**, Osaka (JP)

(73) Assignee: **Sanyo Electric Co., Ltd.**, Osaka (JP)

(**) Term: **14 Years**

(21) Appl. No.: **29/347,811**

(22) Filed: **Jun. 10, 2010**

(30) **Foreign Application Priority Data**

Dec. 11, 2009 (JP) 2009-028856
Dec. 11, 2009 (JP) 2009-028857

(51) **LOC (9) Cl.** **13-02**

(52) **U.S. Cl.** **D13/108**

(58) **Field of Classification Search** D13/107-110,
D13/118-119, 184, 199; D14/251, 253,
D14/432, 434; 320/107-115

See application file for complete search history.

(56) **References Cited**

U.S. PATENT DOCUMENTS

D505,389 S	5/2005	Chang	
D532,372 S *	11/2006	Keating	D13/108
D532,745 S *	11/2006	Gaber et al.	D13/108
D539,218 S *	3/2007	Gaber et al.	D13/108
7,375,494 B2 *	5/2008	Daniel et al.	320/112
D570,847 S *	6/2008	Chern	D14/434
D592,138 S *	5/2009	Mahaffey et al.	D13/123
D595,223 S *	6/2009	Yamamoto et al.	D13/108
D598,374 S *	8/2009	Sasada	D13/108
D607,815 S *	1/2010	Lui	D13/107

D624,500 S *	9/2010	Chan	D13/144
D628,151 S *	11/2010	Wegener et al.	D13/108
D632,653 S *	2/2011	Wikel et al.	D13/144
D633,034 S *	2/2011	Heine et al.	D13/103
D633,035 S *	2/2011	Heine et al.	D13/103
2004/0251871 A1 *	12/2004	Dvorak et al.	320/108
2006/0208695 A1 *	9/2006	Weinstein et al.	320/110
2007/0229025 A1 *	10/2007	Tsai et al.	320/111
2007/0241721 A1 *	10/2007	Weinstein et al.	320/114
2010/0027249 A1 *	2/2010	Connor et al.	362/183
2010/0117597 A1 *	5/2010	Wang	320/111

* cited by examiner

Primary Examiner — Rosemary K Tarcza

(74) *Attorney, Agent, or Firm* — Rabin & Berdo, PC

(57) **CLAIM**

The ornamental design for a battery charger, as shown and described.

DESCRIPTION

FIG. 1 is a perspective view of a battery charger showing our new design;

FIG. 2 is a rear perspective view thereof;

FIG. 3 is a bottom plan view thereof;

FIG. 4 is a top plan view thereof;

FIG. 5 is a front elevation view thereof;

FIG. 6 is a rear elevation view thereof;

FIG. 7 is a right side view thereof;

FIG. 8 is a left side view thereof;

FIG. 9 is a referential perspective view thereof showing a state in use; and,

FIG. 10 is a referential view thereof showing a state in use.

The broken lines shown in the figures are for illustrative purposes only and form no part of the claimed design.

1 Claim, 4 Drawing Sheets

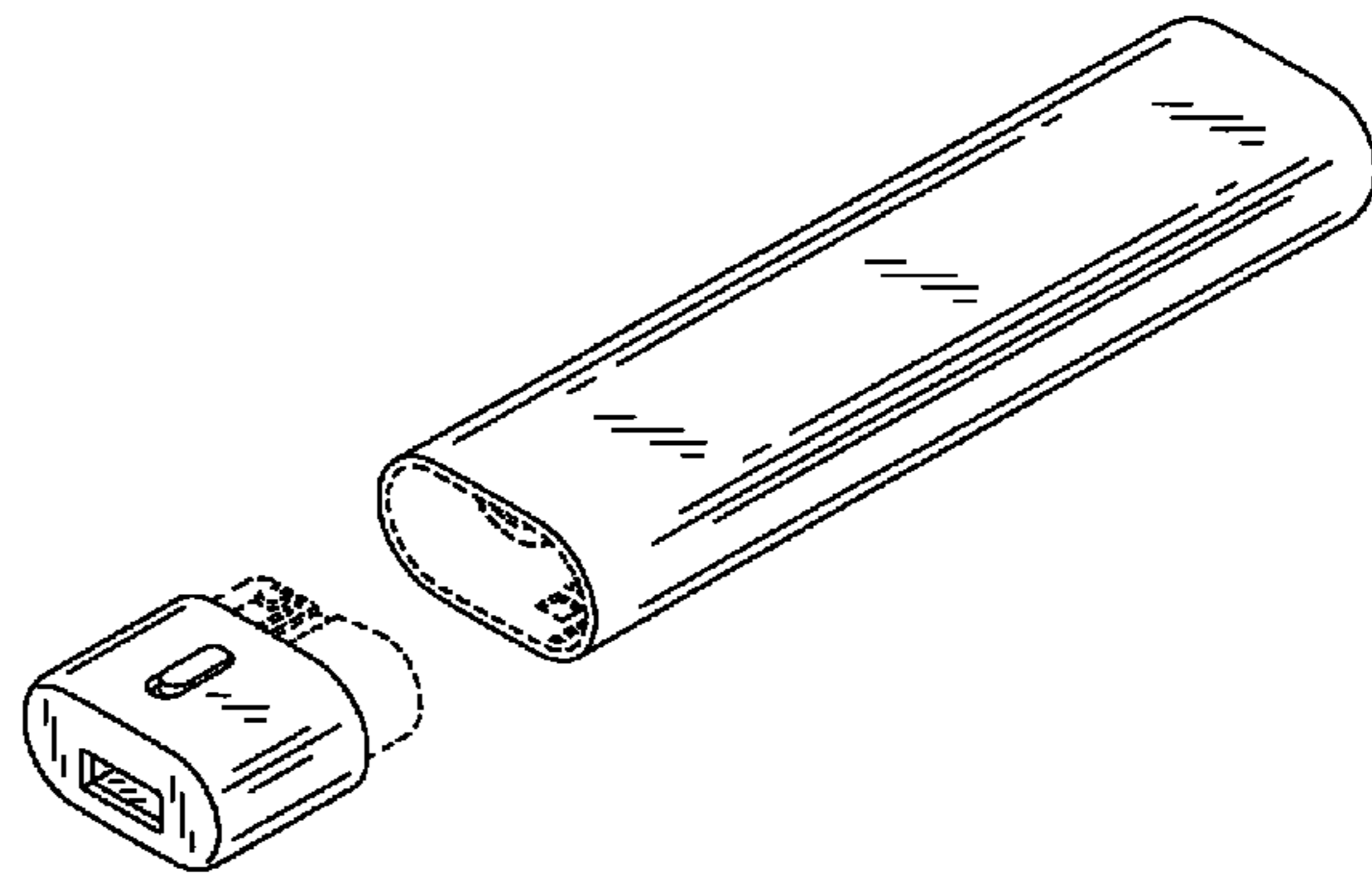
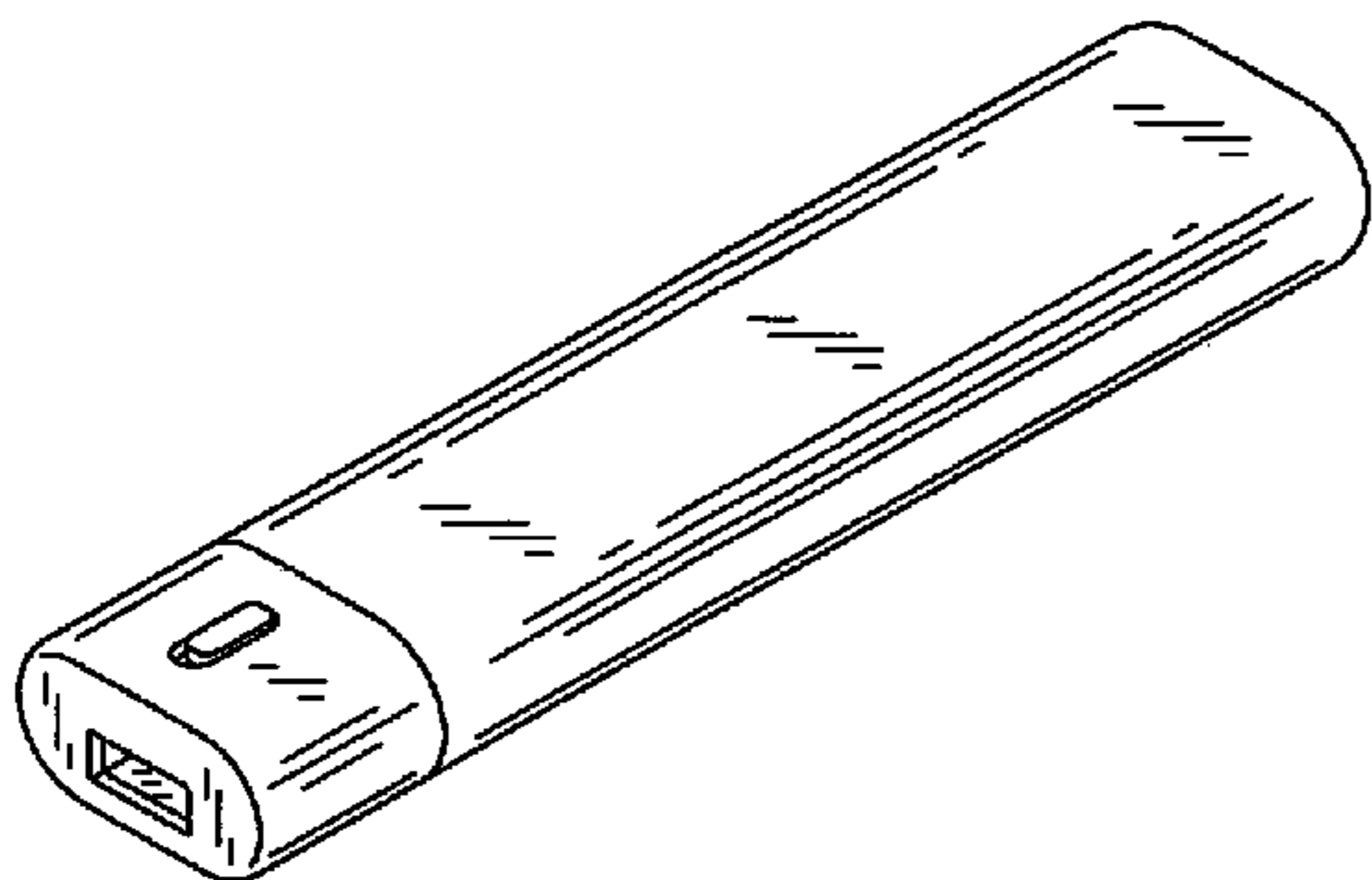


FIG. 1

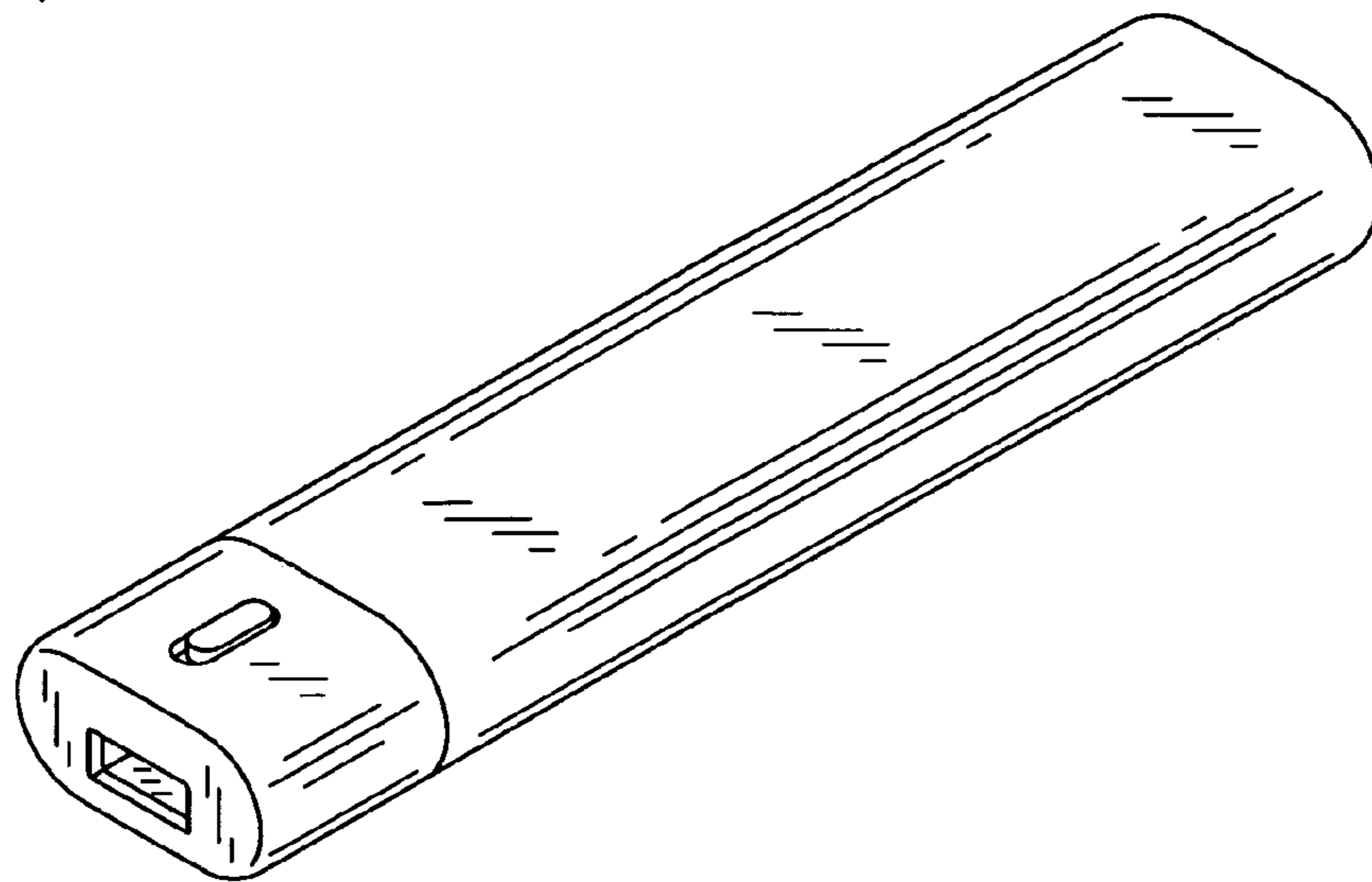


FIG. 2

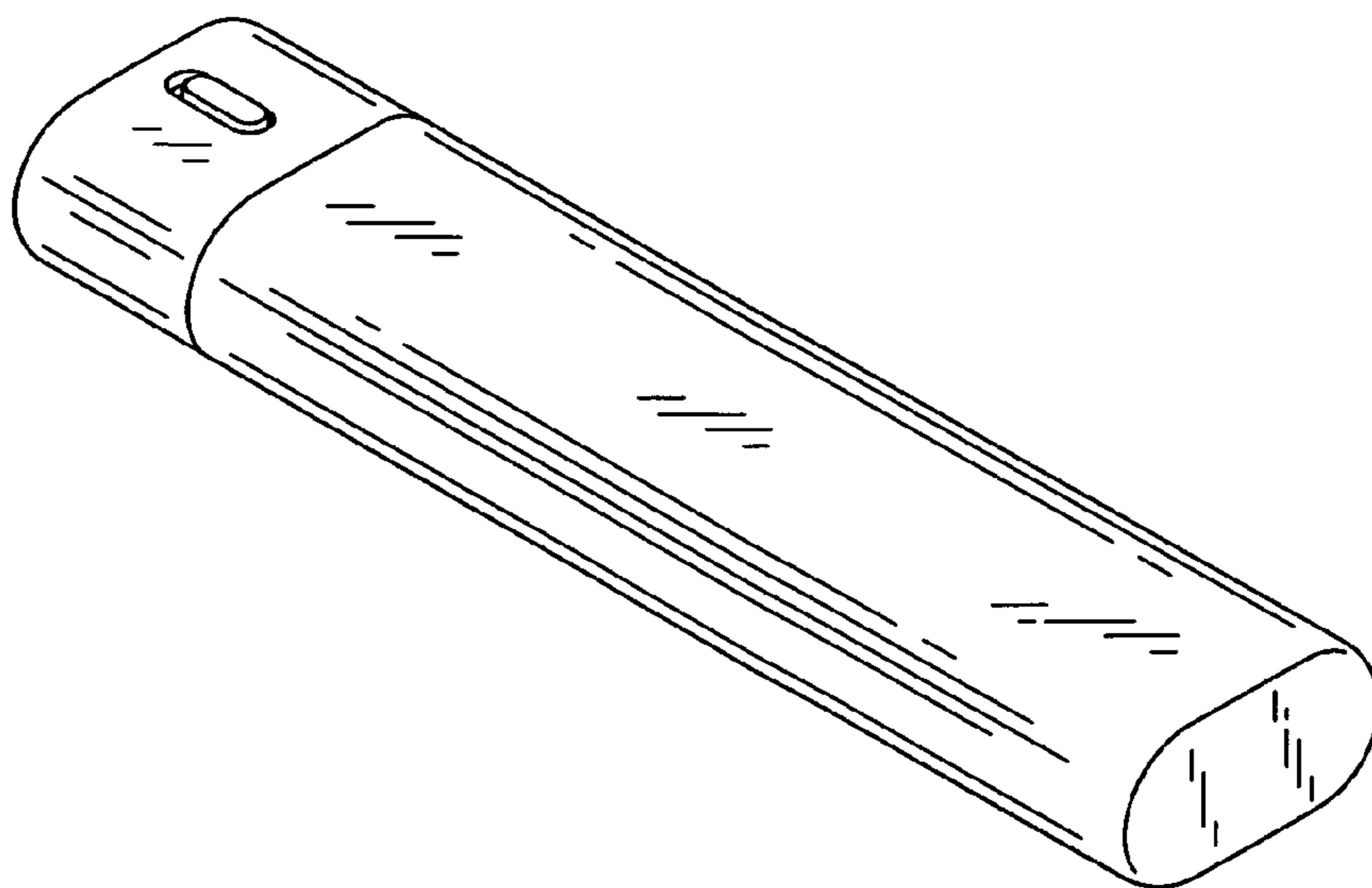


FIG. 3

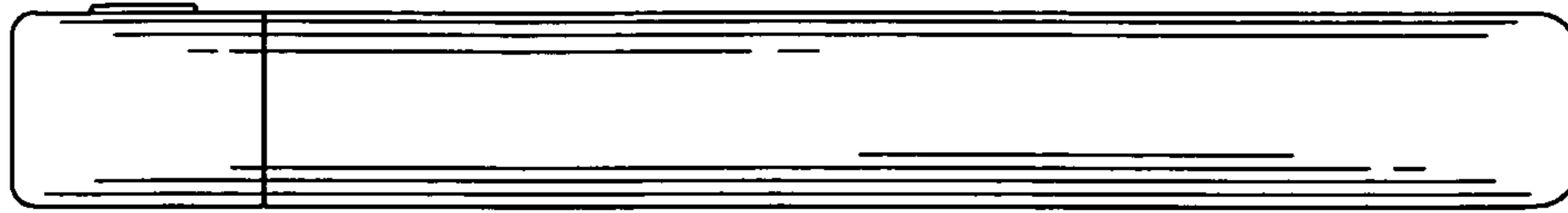


FIG. 4

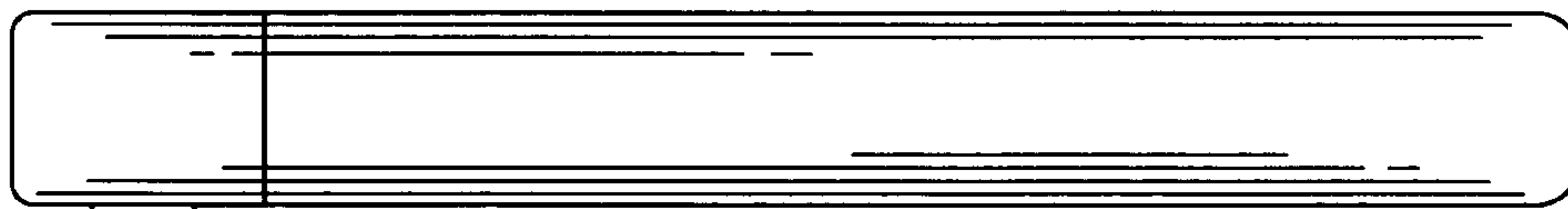


FIG. 5

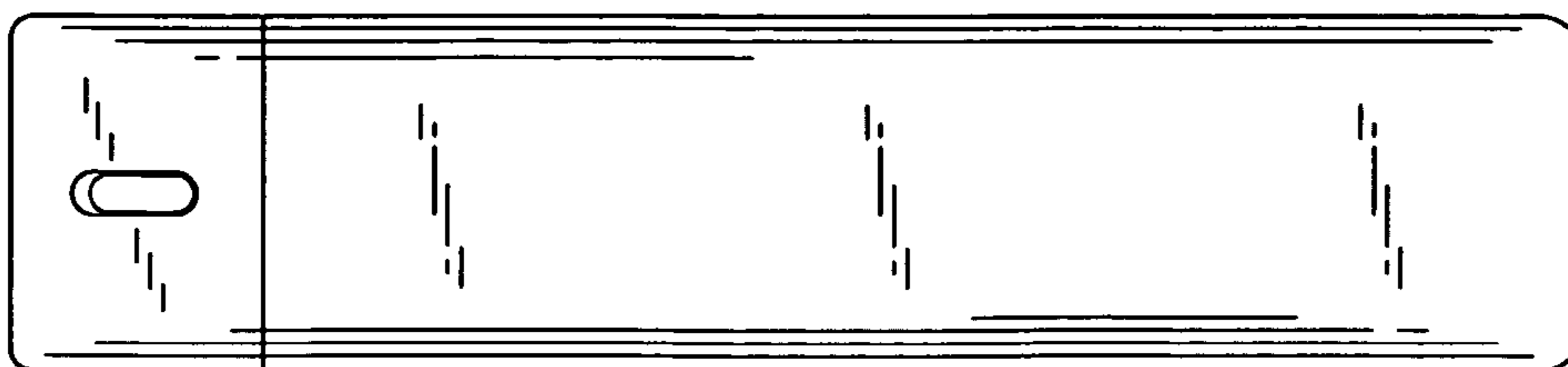


FIG. 6

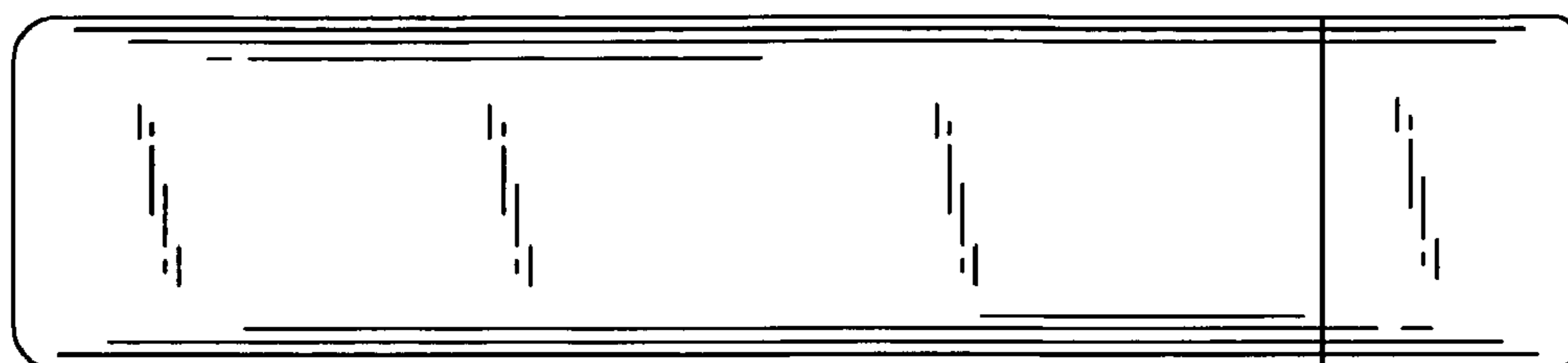


FIG. 7

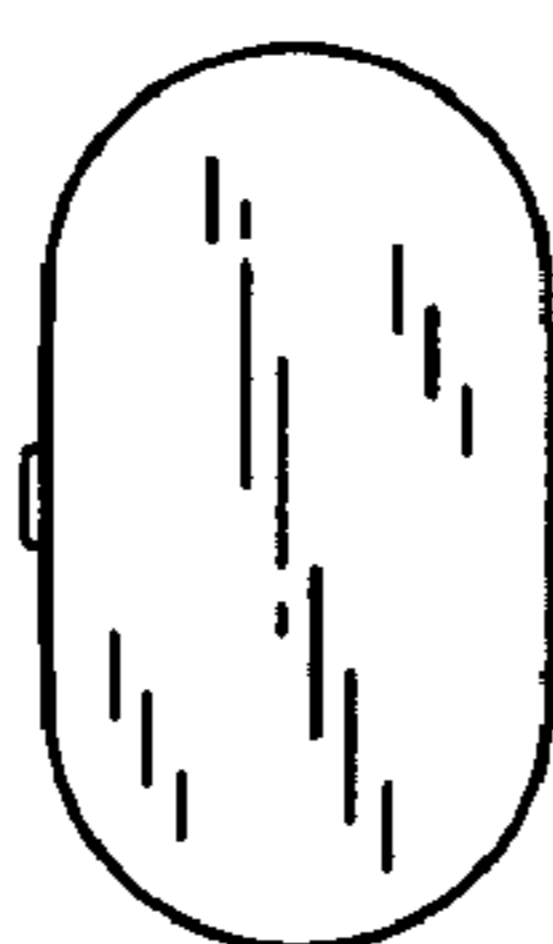


FIG. 8

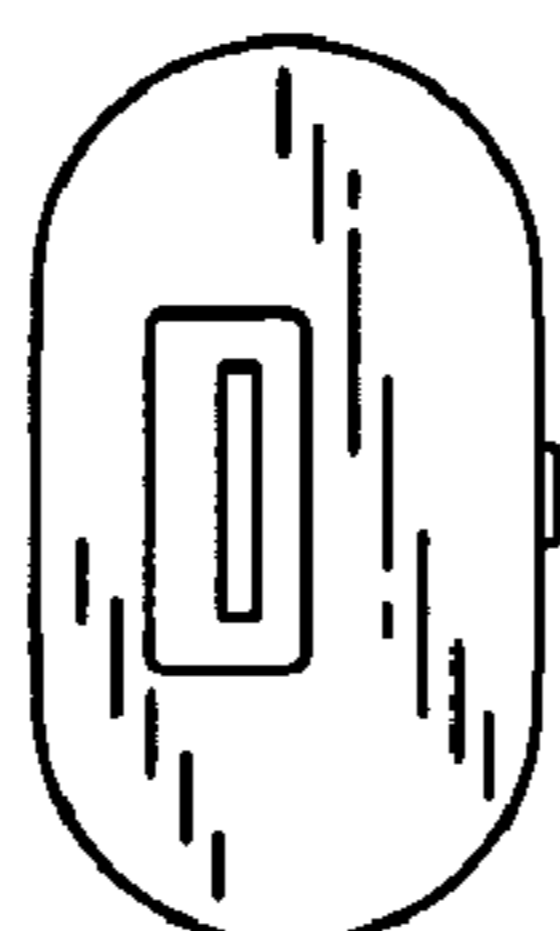


FIG. 9

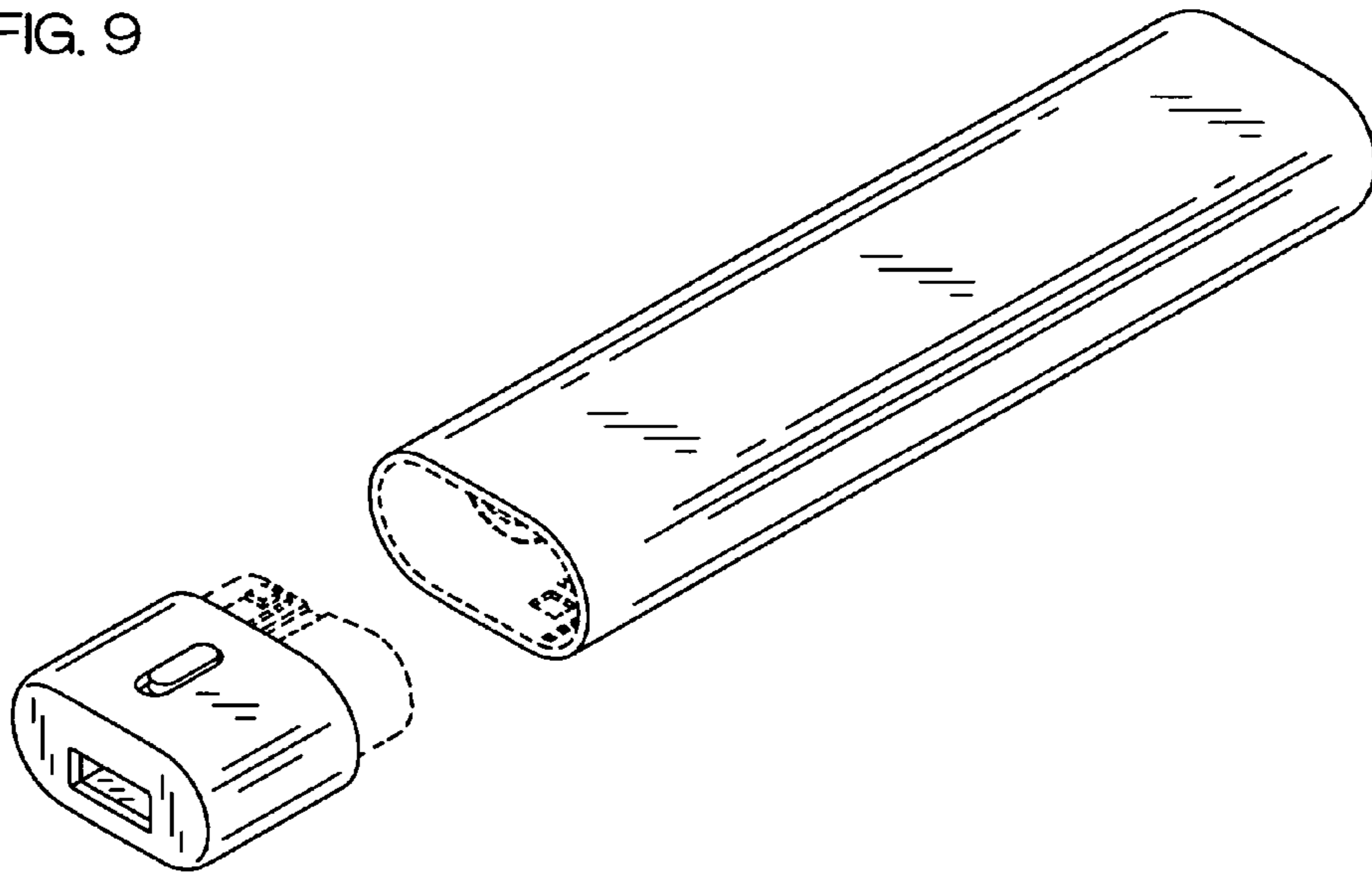


FIG. 10

