



US00D645816S

(12) **United States Design Patent**
Sasada et al.

(10) **Patent No.:** **US D645,816 S**

(45) **Date of Patent:** **** Sep. 27, 2011**

(54) **BATTERY CHARGER**

(75) Inventors: **Motohiro Sasada**, Osaka (JP); **Shinji Oda**, Osaka (JP)

(73) Assignee: **Sanyo Electric Co., Ltd.**, Osaka (JP)

(**) Term: **14 Years**

(21) Appl. No.: **29/347,177**

(22) Filed: **Oct. 16, 2009**

(30) **Foreign Application Priority Data**

Jul. 7, 2009 (JP) 2009-015373
Jul. 7, 2009 (JP) 2009-015422

(51) **LOC (9) Cl.** **13-02**

(52) **U.S. Cl.** **D13/108**

(58) **Field of Classification Search** D13/107–110,
D13/118–119, 184, 199; D14/251, 253,
D14/432, 434; 320/107–115

See application file for complete search history.

(56) **References Cited**

U.S. PATENT DOCUMENTS

D505,389 S *	5/2005	Chang	D13/107
D532,372 S *	11/2006	Keating	D13/108
D532,745 S *	11/2006	Gaber et al.	D13/108
D539,218 S *	3/2007	Gaber et al.	D13/108
7,375,494 B2 *	5/2008	Daniel et al.	320/112
D570,847 S *	6/2008	Chern	D14/434
D592,138 S	5/2009	Mahaffey et al.		
D595,223 S	6/2009	Yamamoto et al.		
D598,374 S *	8/2009	Sasada	D13/108
D607,815 S *	1/2010	Lui	D13/107
D624,500 S	9/2010	Chan		
D628,151 S	11/2010	Wegener et al.		
D632,653 S	2/2011	Wikel et al.		

D633,034 S *	2/2011	Heine et al.	D13/103
D633,035 S *	2/2011	Heine et al.	D13/103
2004/0251871 A1	12/2004	Dvorak et al.		
2006/0208695 A1 *	9/2006	Weinstein et al.	320/110
2007/0229025 A1	10/2007	Tsai et al.		
2007/0241721 A1 *	10/2007	Weinstein et al.	320/114
2010/0027249 A1 *	2/2010	Connor et al.	362/183
2010/0117597 A1	5/2010	Wang		

* cited by examiner

Primary Examiner — Rosemary K Tarcza

(74) *Attorney, Agent, or Firm* — Rabin & Berdo, PC

(57) **CLAIM**

The ornamental design for a battery charger, as shown and described.

DESCRIPTION

FIG. 1 is a perspective view of a battery charger showing our new design;

FIG. 2 is a front elevation view thereof;

FIG. 3 is a rear elevation view thereof;

FIG. 4 is a top plan view thereof;

FIG. 5 is a bottom plan view thereof;

FIG. 6 is a right side view thereof;

FIG. 7 is a left side view thereof;

FIG. 8 is a referential perspective view thereof showing a state with the cap and the main body being separated from each other, the joint portion of the main body is shown in broken lines forming no part of the claimed design;

FIG. 9 is a perspective view thereof viewed from behind; and,

FIG. 10 is a referential view thereof showing a usage state, the attached USB cable and electronic equipment are shown in broken lines forming no part of the claimed design.

The broken line showing is for illustrative purposes only and forms no part of the claimed design.

1 Claim, 4 Drawing Sheets

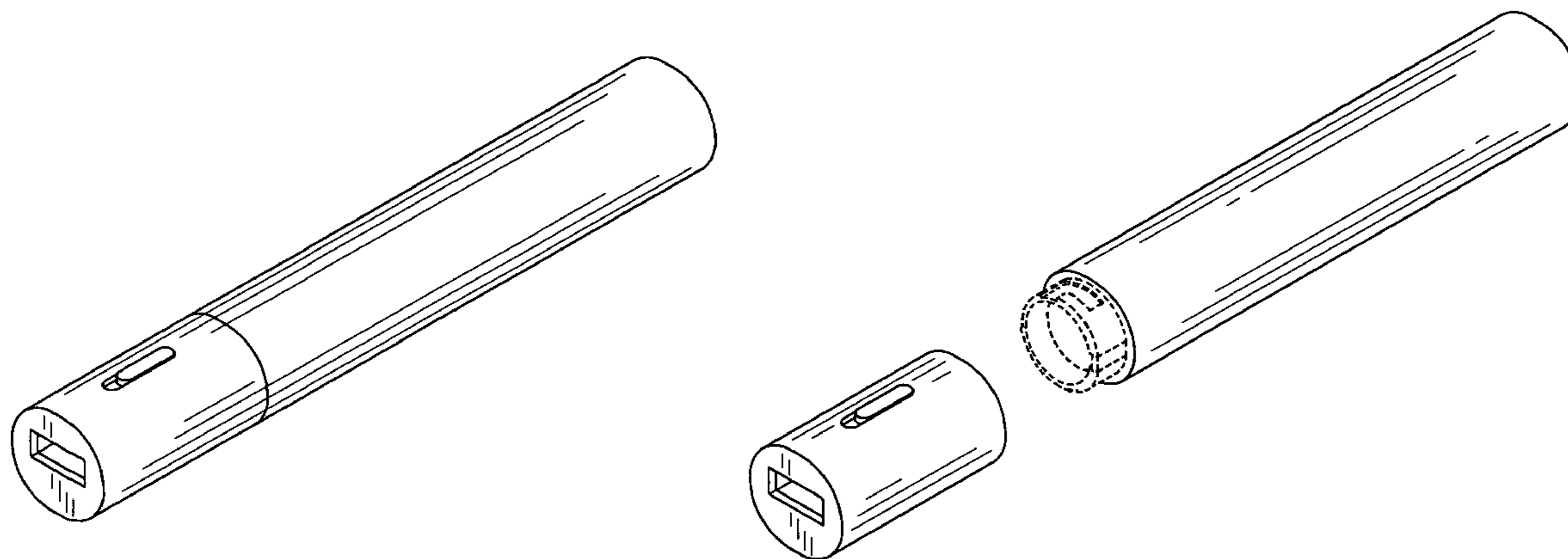


FIG. 1

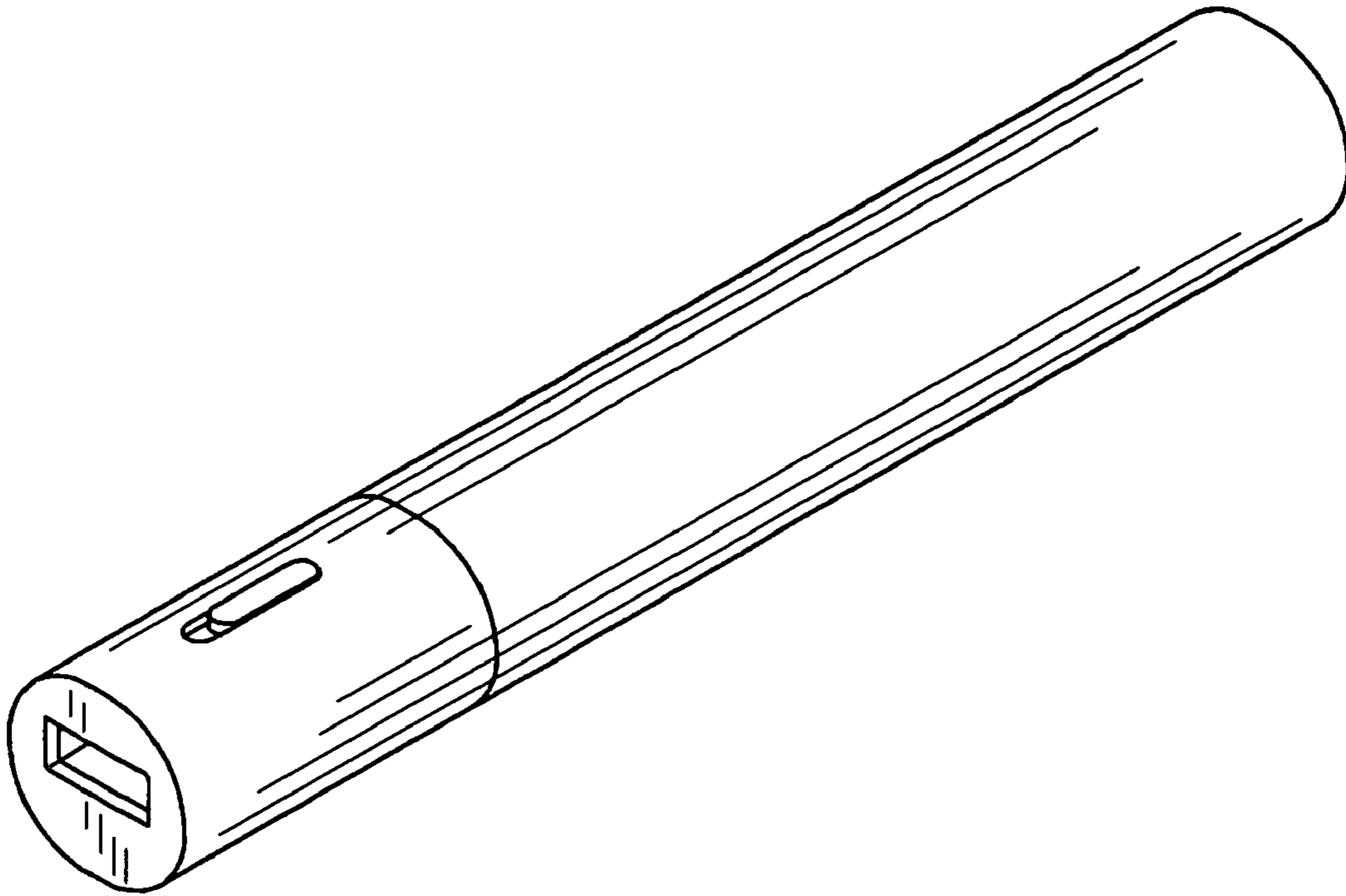


FIG. 2

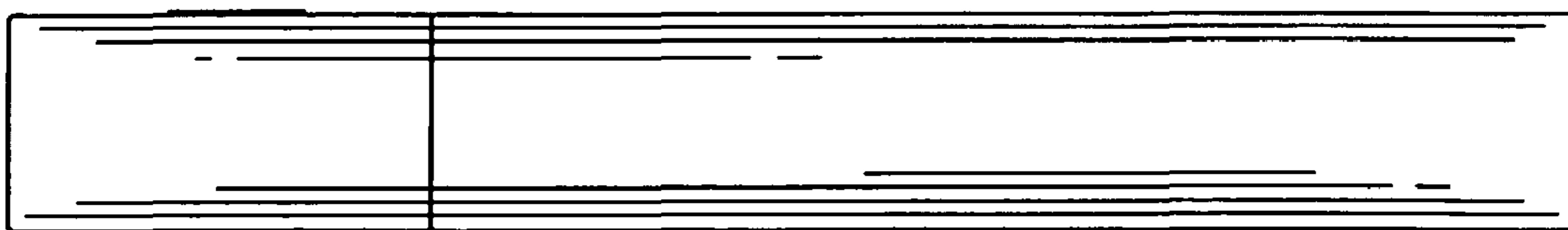


FIG. 3

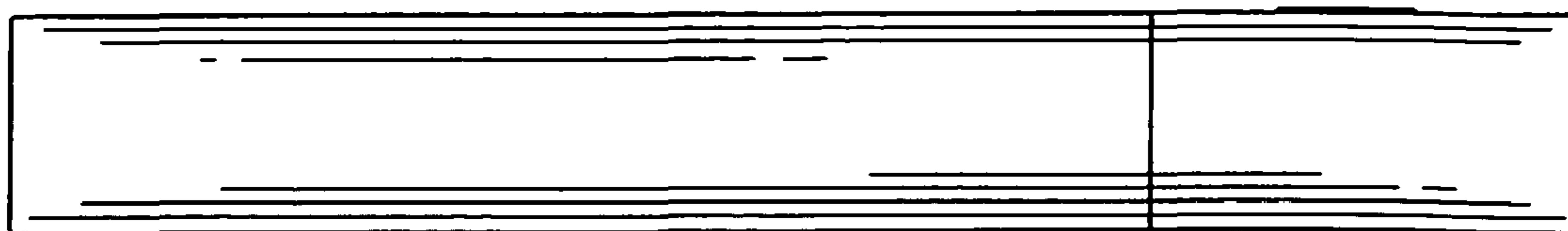


FIG. 4

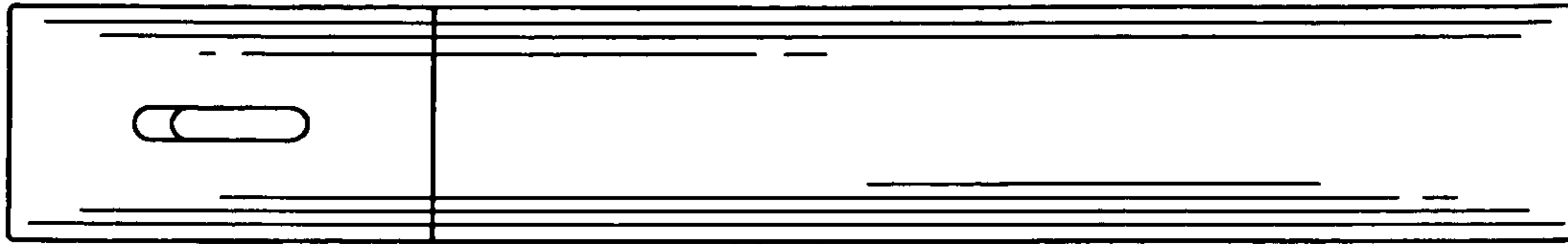


FIG. 5

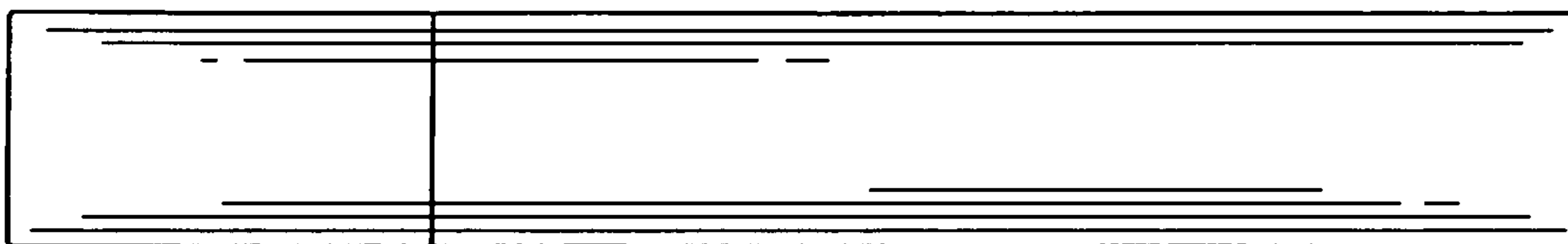


FIG. 6

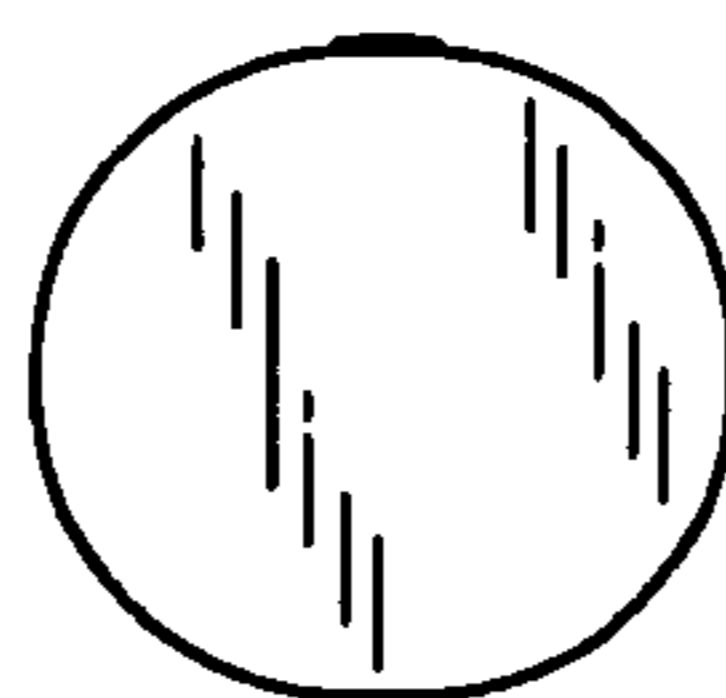


FIG. 7

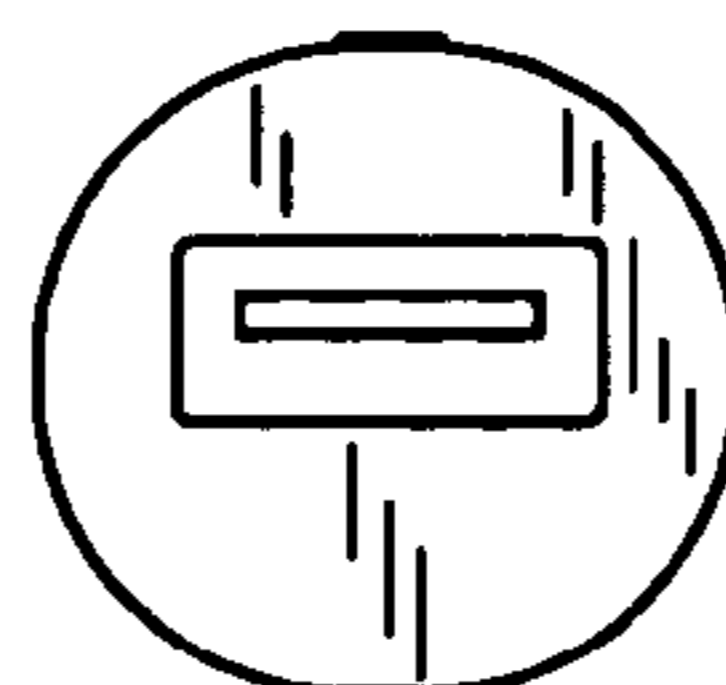


FIG. 8

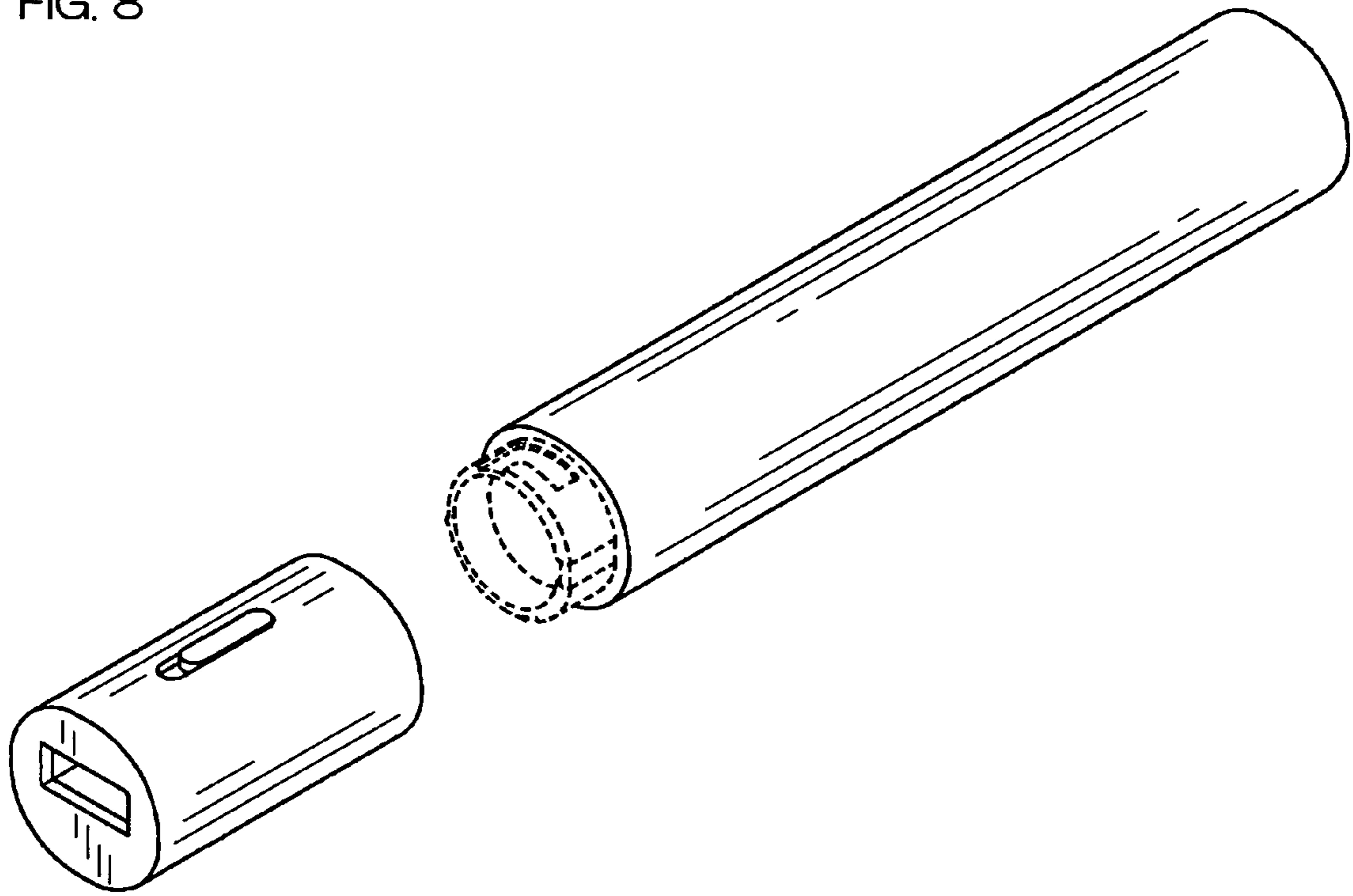


FIG. 9

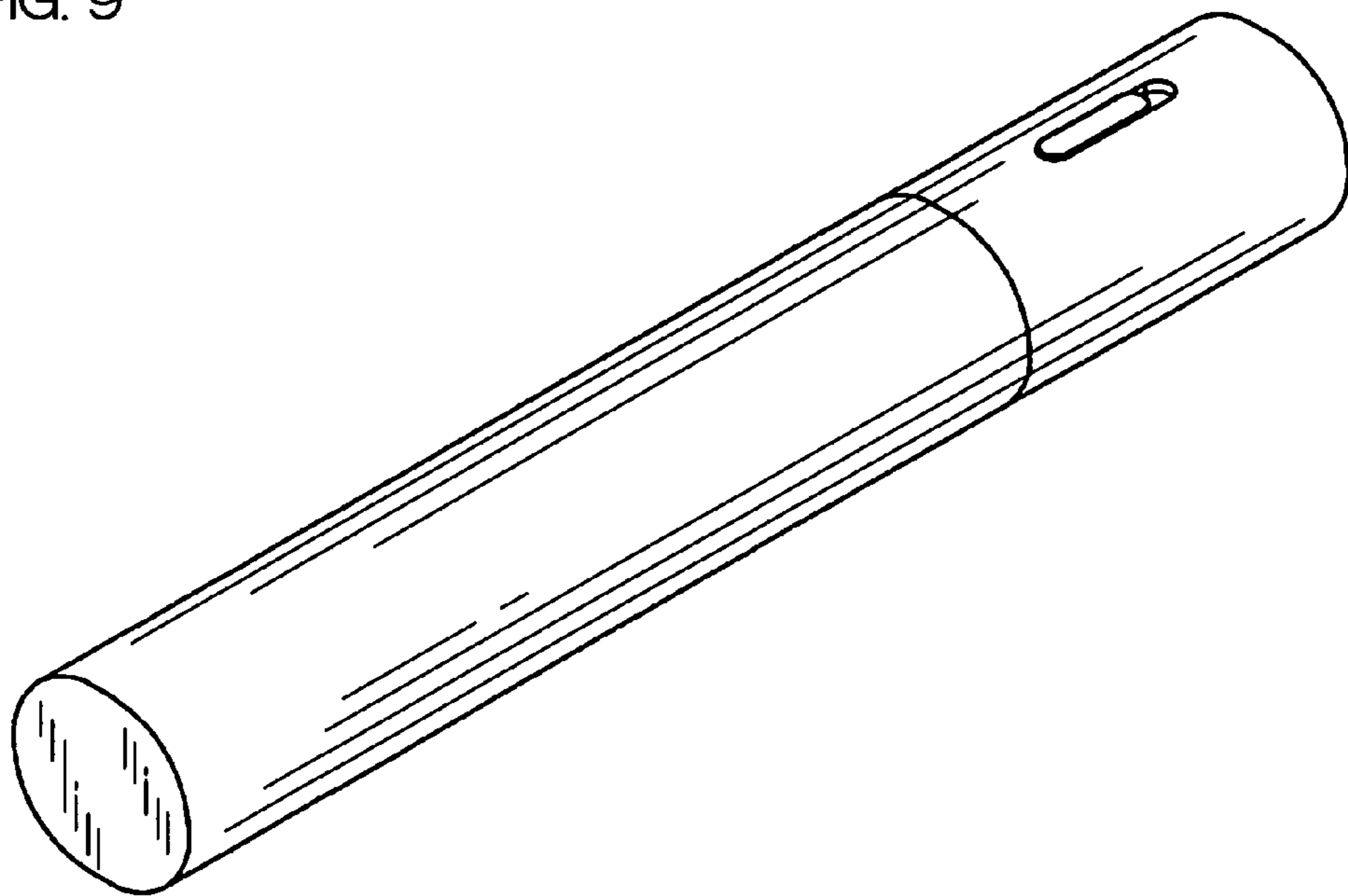


FIG. 10

