



US00D645815S

(12) **United States Design Patent**
Wu

(10) **Patent No.:** **US D645,815 S**

(45) **Date of Patent:** **** Sep. 27, 2011**

(54) **CHARGER CAPABLE OF SELECTIVELY RECEIVING VARIOUS STANDARD PLUGS**

(75) Inventor: **Jui-Hsiung Wu**, Taipei (TW)

(73) Assignee: **Well Shin Technology Co., Ltd.**, Taipei (TW)

(**) Term: **14 Years**

(21) Appl. No.: **29/340,804**

(22) Filed: **Jul. 27, 2009**

(51) **LOC (9) Cl.** **13-02**

(52) **U.S. Cl.** **D13/108; D13/110**

(58) **Field of Classification Search** D13/107-110, D13/118-119, 184; D14/251, 253, 432, D14/434; 320/107-115

See application file for complete search history.

(56) **References Cited**

U.S. PATENT DOCUMENTS

D292,912	S	*	11/1987	Muller et al.	D13/108
5,611,701	A	*	3/1997	Hahn	439/131
5,613,863	A	*	3/1997	Klaus et al.	439/131
D421,443	S	*	3/2000	Nagele et al.	D14/253
D444,449	S	*	7/2001	Yamamoto	D13/107

D562,766	S	*	2/2008	Yang et al.	D13/110
D589,876	S	*	4/2009	Hong et al.	D13/108
D595,224	S	*	6/2009	Seil et al.	D13/110
D596,562	S	*	7/2009	Hong et al.	D13/110
2003/0218445	A1	*	11/2003	Behar	320/114

* cited by examiner

Primary Examiner — Rosemary K Tarcza

(57) **CLAIM**

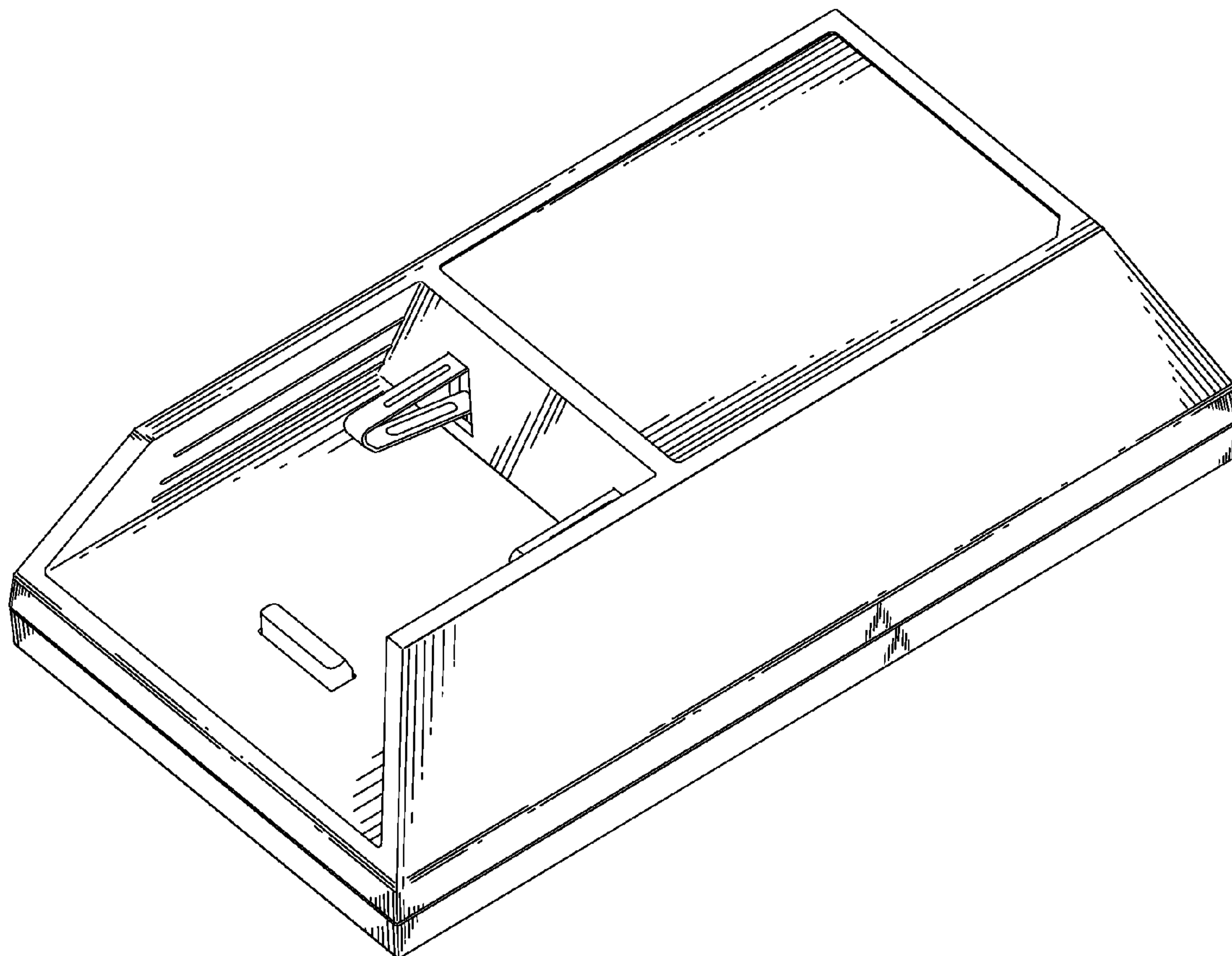
The ornamental design for a charger capable of selectively receiving various standard plugs, as shown and described.

DESCRIPTION

FIG. 1 is a perspective view of a charger capable of selectively receiving various standard plugs showing my new design; FIG. 2 is a front elevational view thereof; FIG. 3 is a rear elevational view thereof; FIG. 4 is a left side elevational view thereof; FIG. 5 is a right side elevational view thereof; FIG. 6 is a top plan view thereof; and, FIG. 7 is a bottom plan view thereof.

The broken lines shown in the drawings are included for the purpose of illustrating unclaimed portions of the design and form no part of the claimed design.

1 Claim, 7 Drawing Sheets



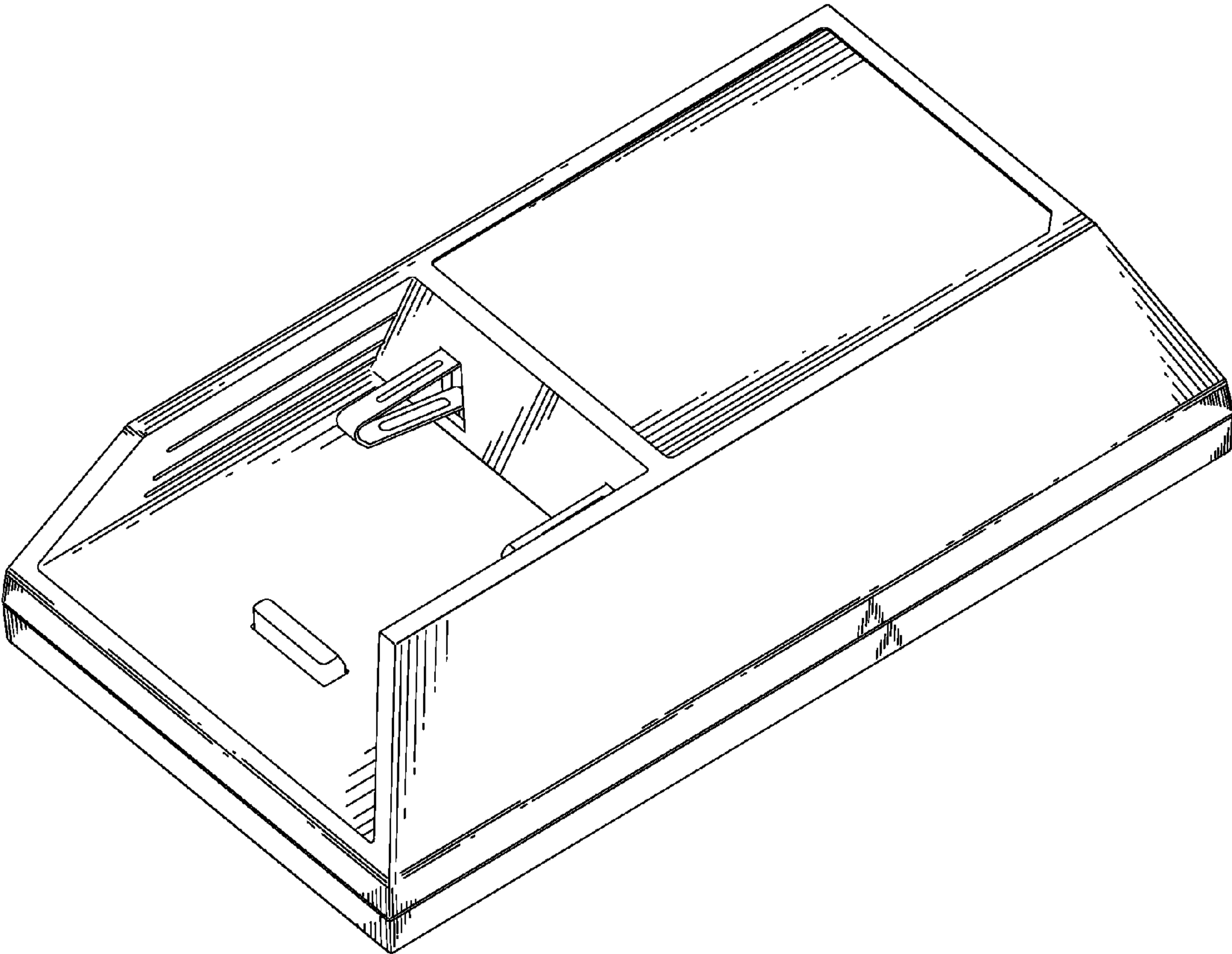


FIG. 1

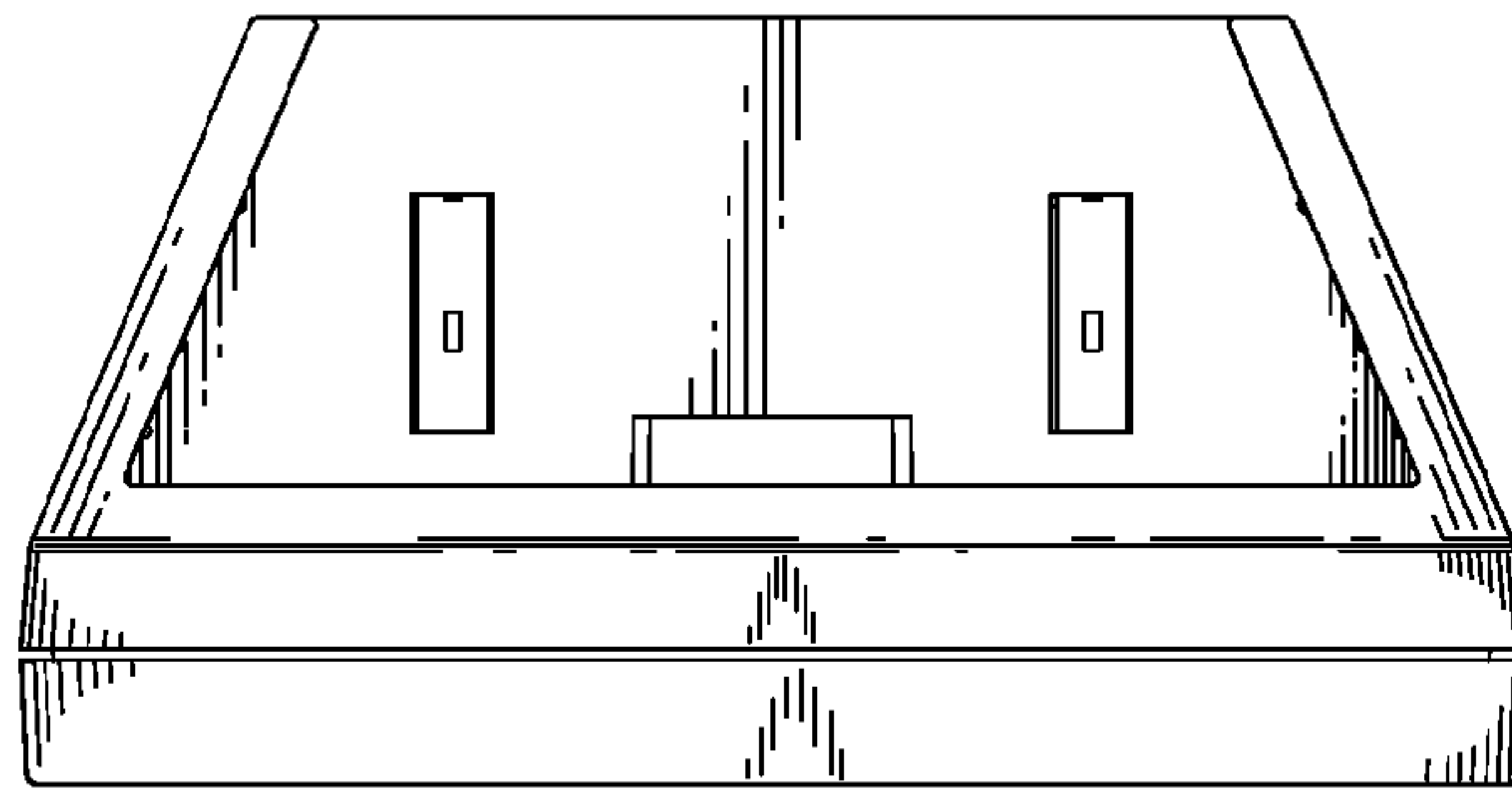


FIG. 2

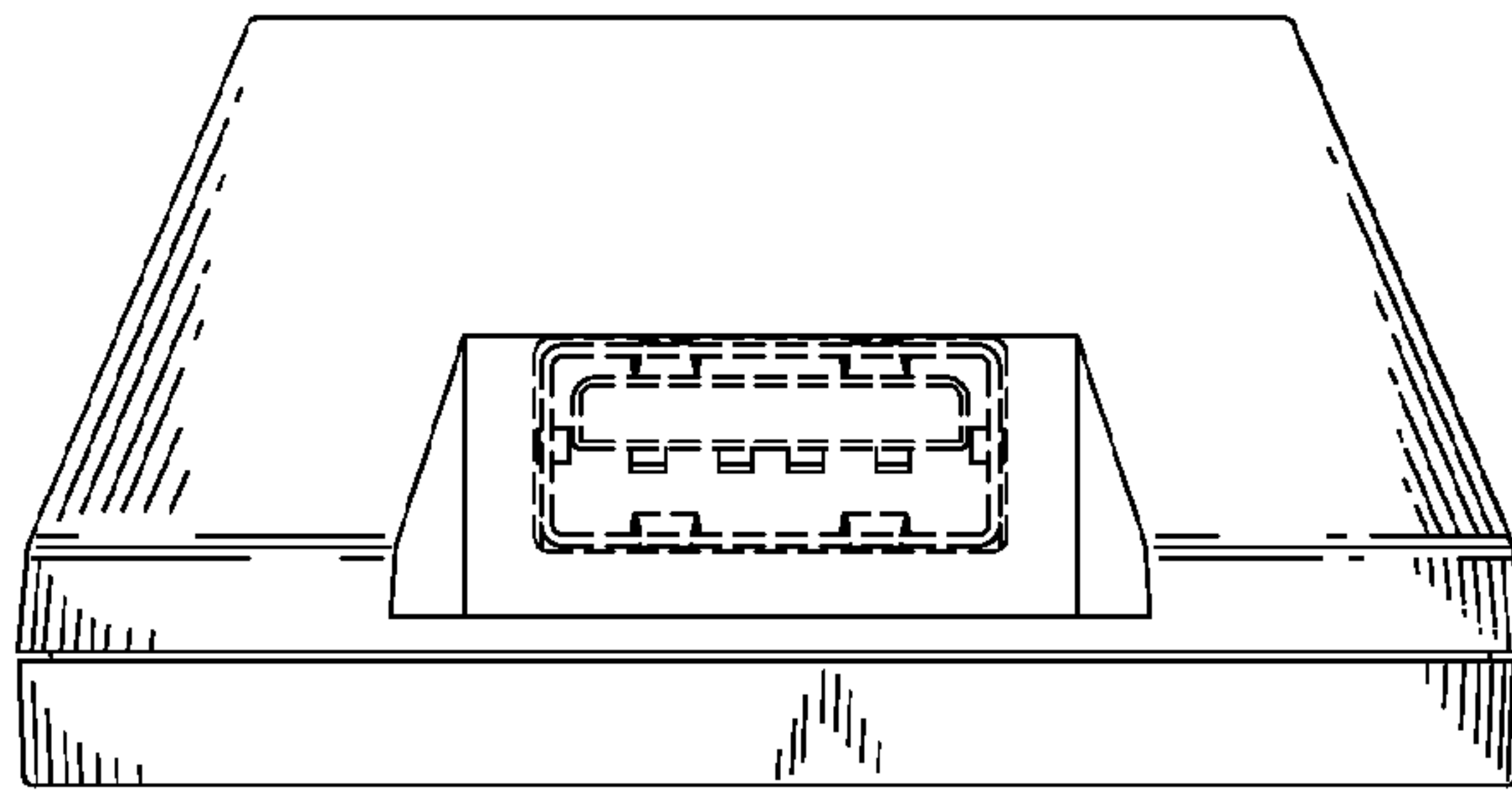


FIG. 3

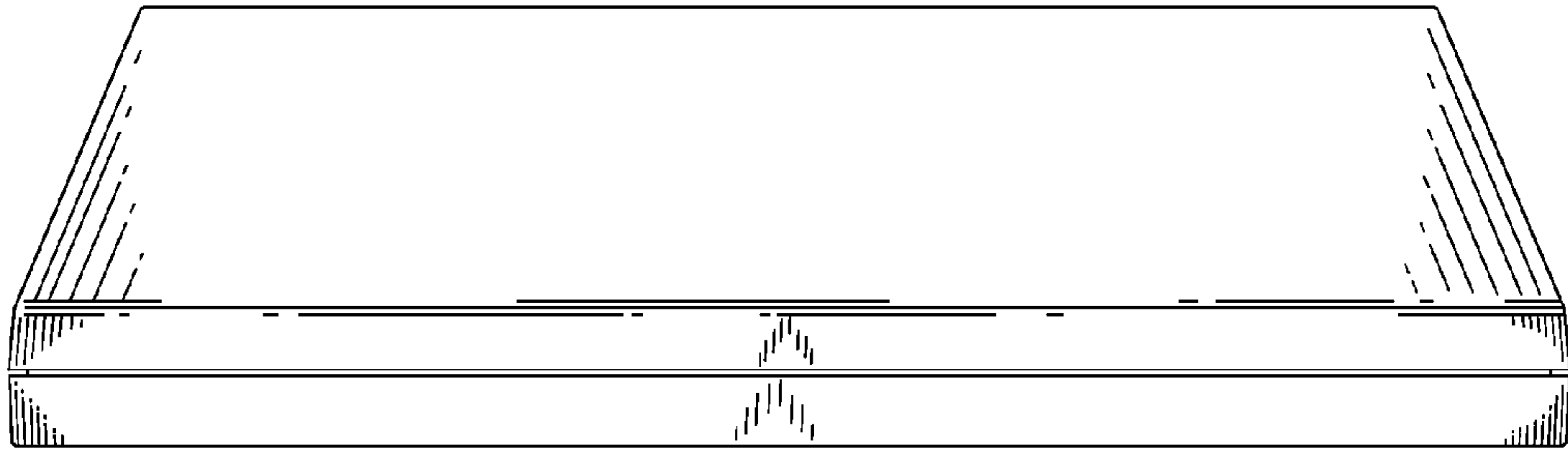


FIG. 4

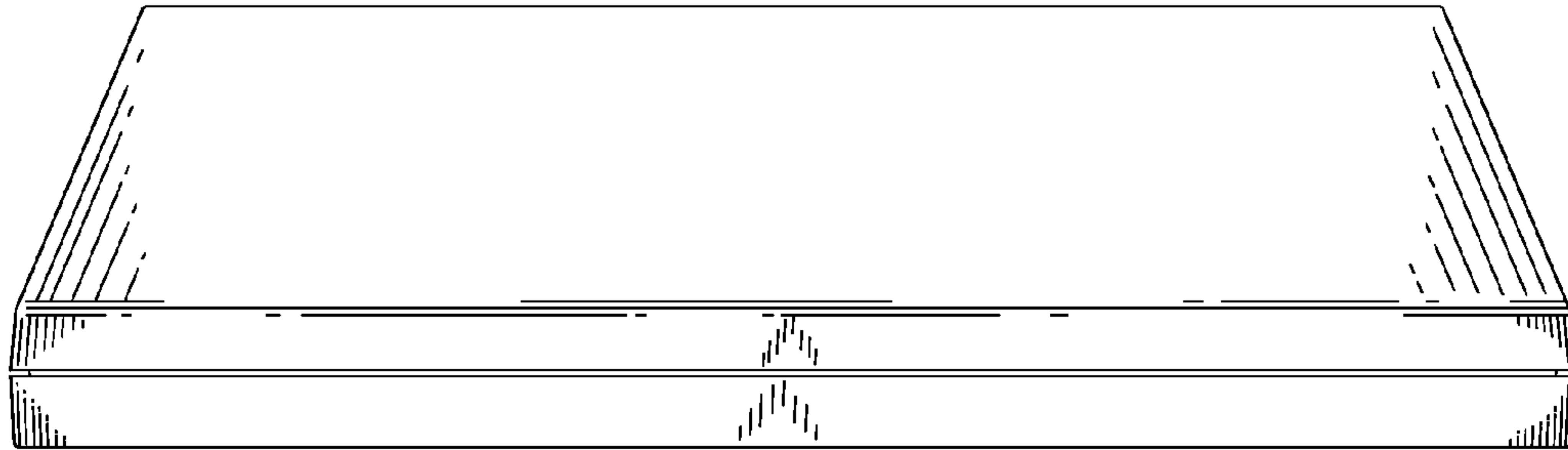


FIG. 5

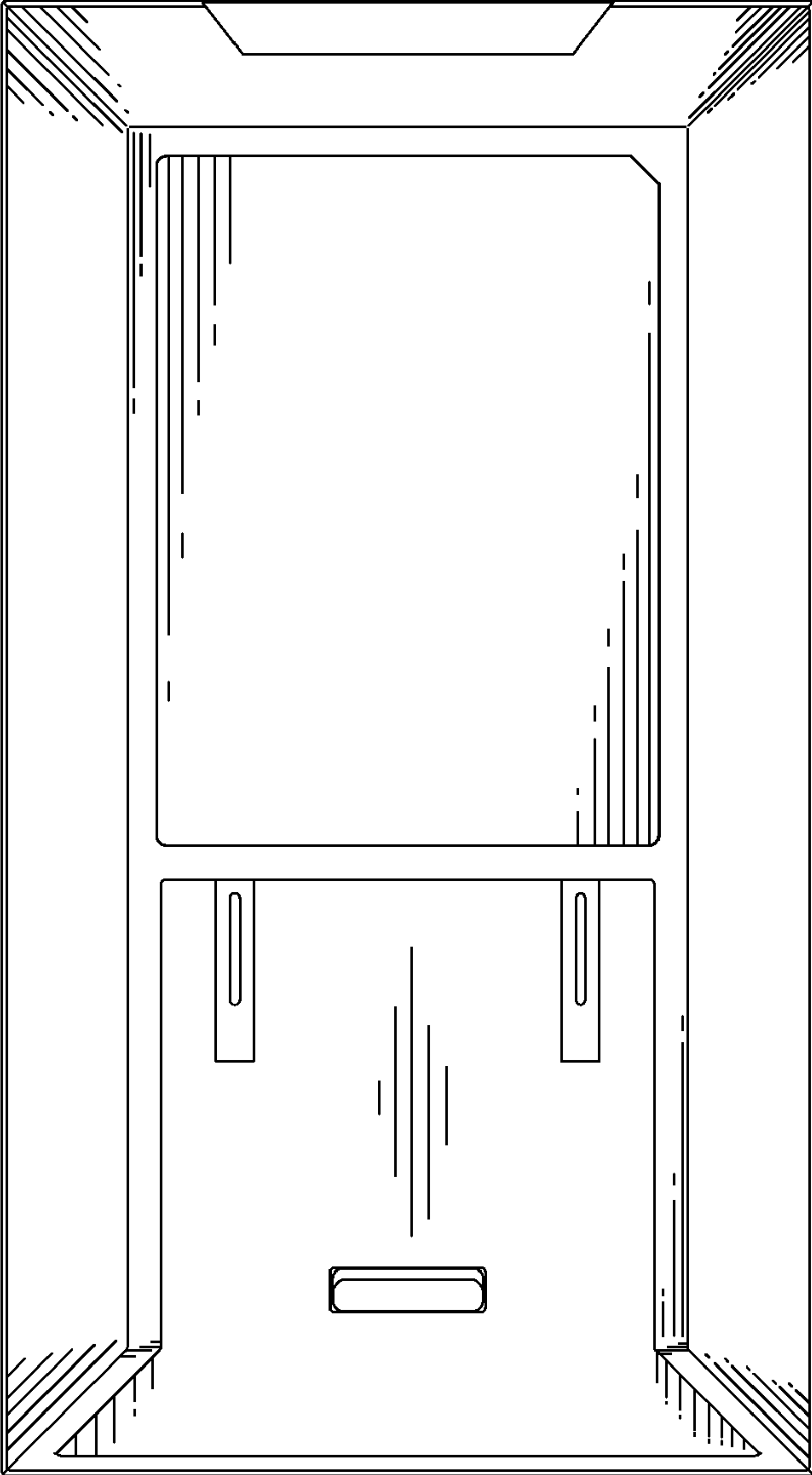


FIG. 6

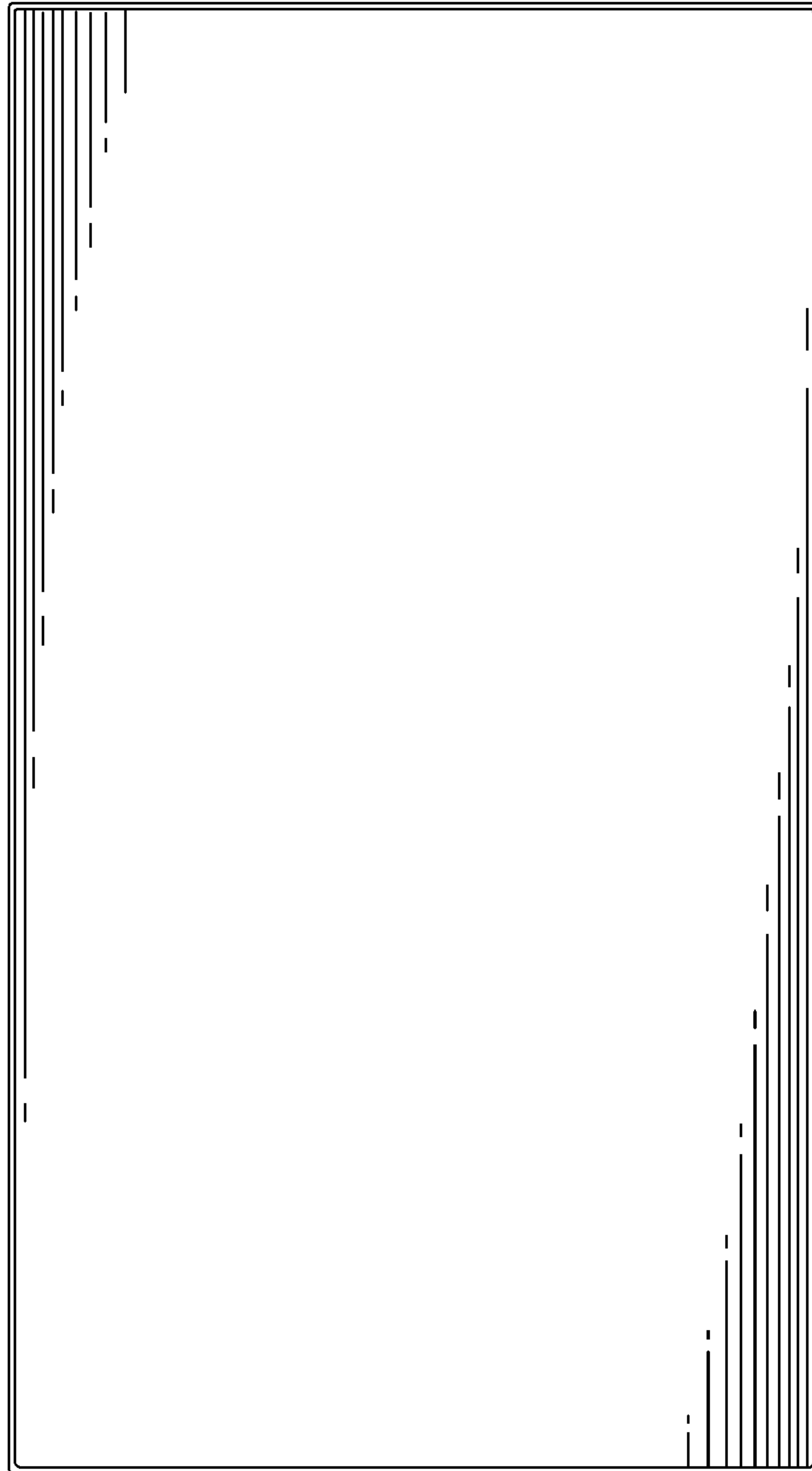


FIG. 7