



US00D645813S

(12) **United States Design Patent**
Yamauchi et al.

(10) **Patent No.:** **US D645,813 S**

(45) **Date of Patent:** **** Sep. 27, 2011**

(54) **STORAGE BATTERY**

(75) Inventors: **Yasuhiro Yamauchi**, Osaka (JP);
Toshiyuki Nohma, Osaka (JP)

(73) Assignee: **Sanyo Electric Co., Ltd.**, Osaka (JP)

(**) Term: **14 Years**

(21) Appl. No.: **29/371,006**

(22) Filed: **Sep. 10, 2010**

(30) **Foreign Application Priority Data**

Mar. 12, 2010 (JP) 2010-006037
Mar. 12, 2010 (JP) 2010-006038

(51) **LOC (9) Cl.** **13-02**

(52) **U.S. Cl.** **D13/103**

(58) **Field of Classification Search** D13/102-106,
D13/110, 118-121, 184, 199; 429/96-100,
429/163, 176

See application file for complete search history.

(56) **References Cited**

U.S. PATENT DOCUMENTS

D130,616 S * 12/1941 Sears D13/103
4,131,723 A * 12/1978 Dalibard et al. 429/81
6,045,883 A * 4/2000 Akiyama et al. 428/35.7
D504,399 S * 4/2005 Peled et al. D13/110
D548,685 S * 8/2007 Eto et al. D13/103
D548,686 S * 8/2007 Eto et al. D13/103
D556,687 S * 12/2007 Miyamoto et al. D13/119

D583,756 S * 12/2008 Walsh et al. D13/103
D587,646 S * 3/2009 Ushijima et al. D13/103
D591,230 S * 4/2009 Tasai D13/103
D592,129 S * 5/2009 Masuda et al. D13/103
D594,402 S * 6/2009 Inoue et al. D13/103
D600,207 S * 9/2009 Lumpkins D13/118
D616,397 S * 5/2010 Tai D13/184
7,794,871 B2 * 9/2010 Kim 429/159
2010/0143786 A1 * 6/2010 Kim 429/158
2010/0297484 A1 * 11/2010 Kim 429/72

* cited by examiner

Primary Examiner — Rosemary K Tarcza

(74) *Attorney, Agent, or Firm* — Rabin & Berdo, PC

(57) **CLAIM**

The ornamental design for a storage battery, as shown and described.

DESCRIPTION

FIG. 1 is a perspective view of a storage battery showing our new design;

FIG. 2 is a front elevation view thereof;

FIG. 3 is a rear elevation view thereof;

FIG. 4 is a top plan view thereof;

FIG. 5 is a bottom plan view thereof; and,

FIG. 6 is a right side view thereof, the left side view thereof being a mirror image.

The broken lines shown in the figures are for illustrative purposes only and form no part of the claimed design.

1 Claim, 4 Drawing Sheets

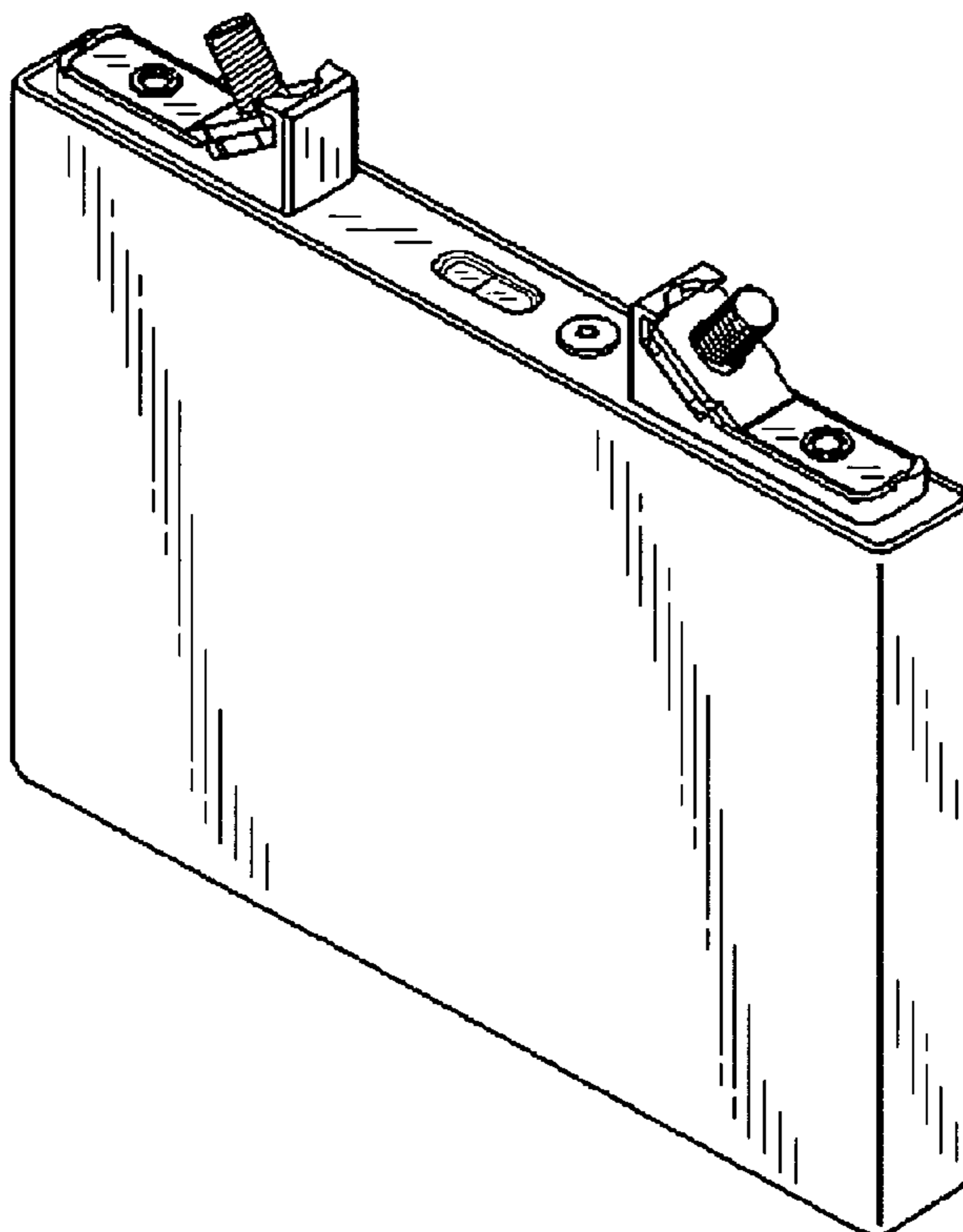


FIG. 1

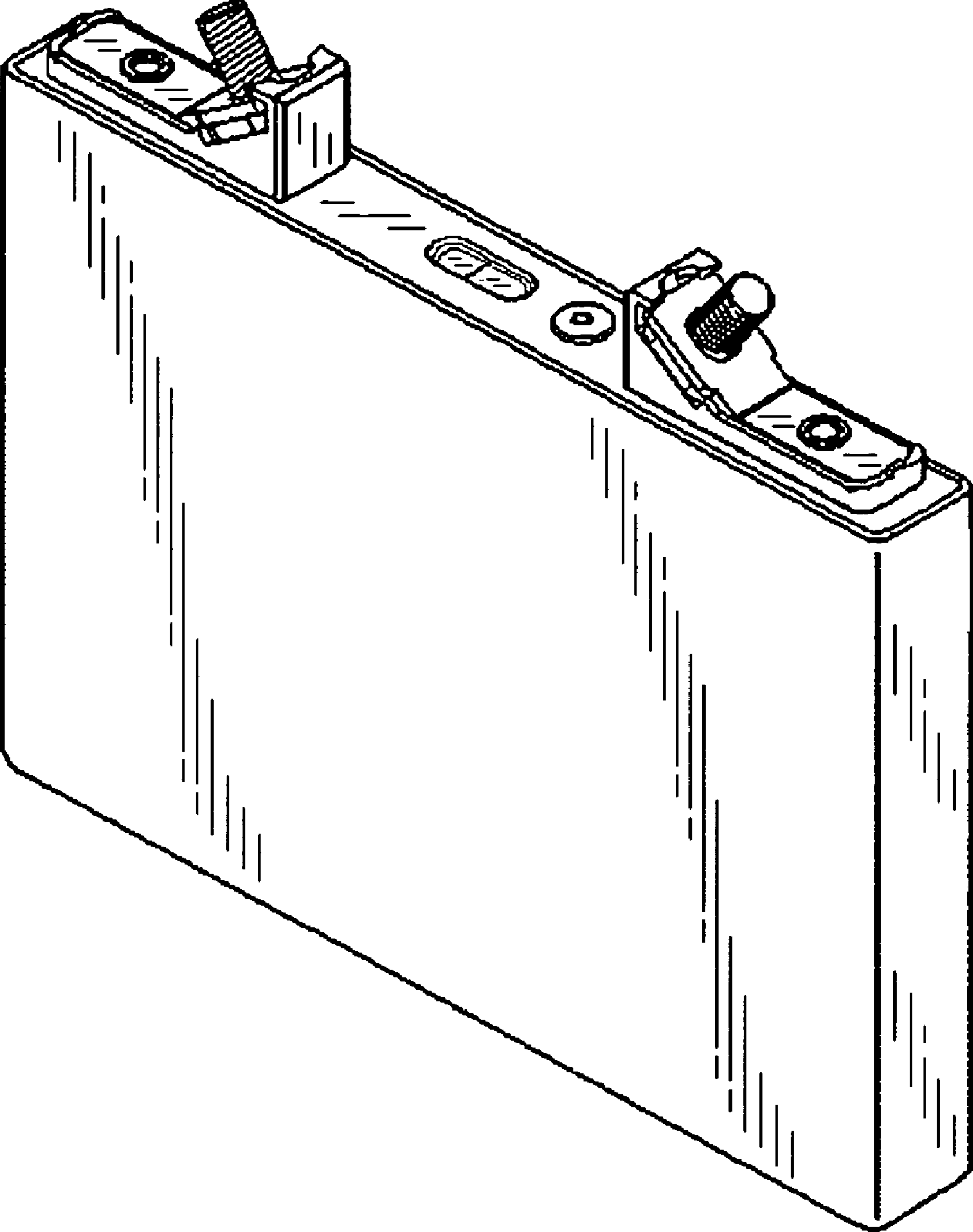


FIG. 2

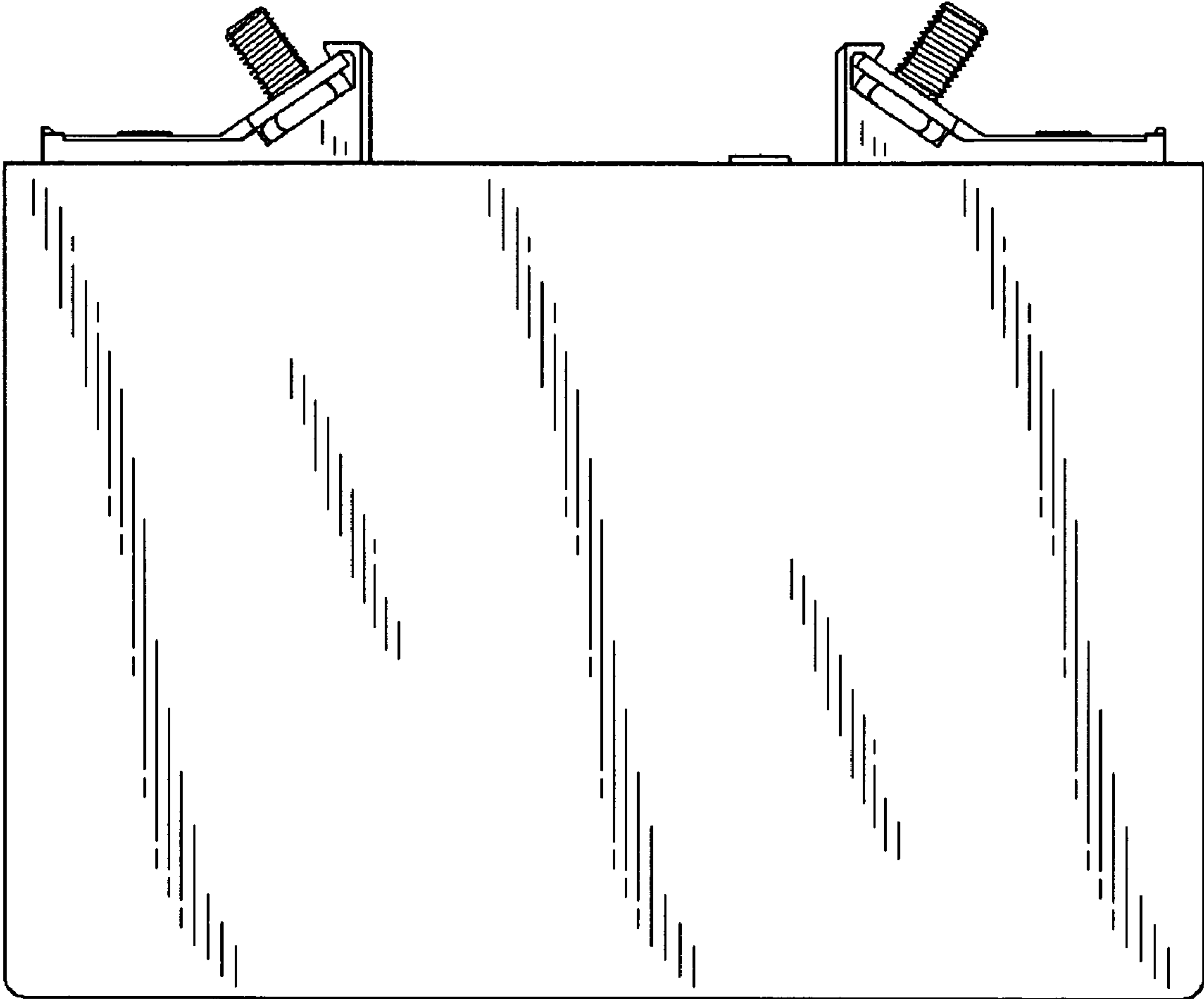


FIG. 3

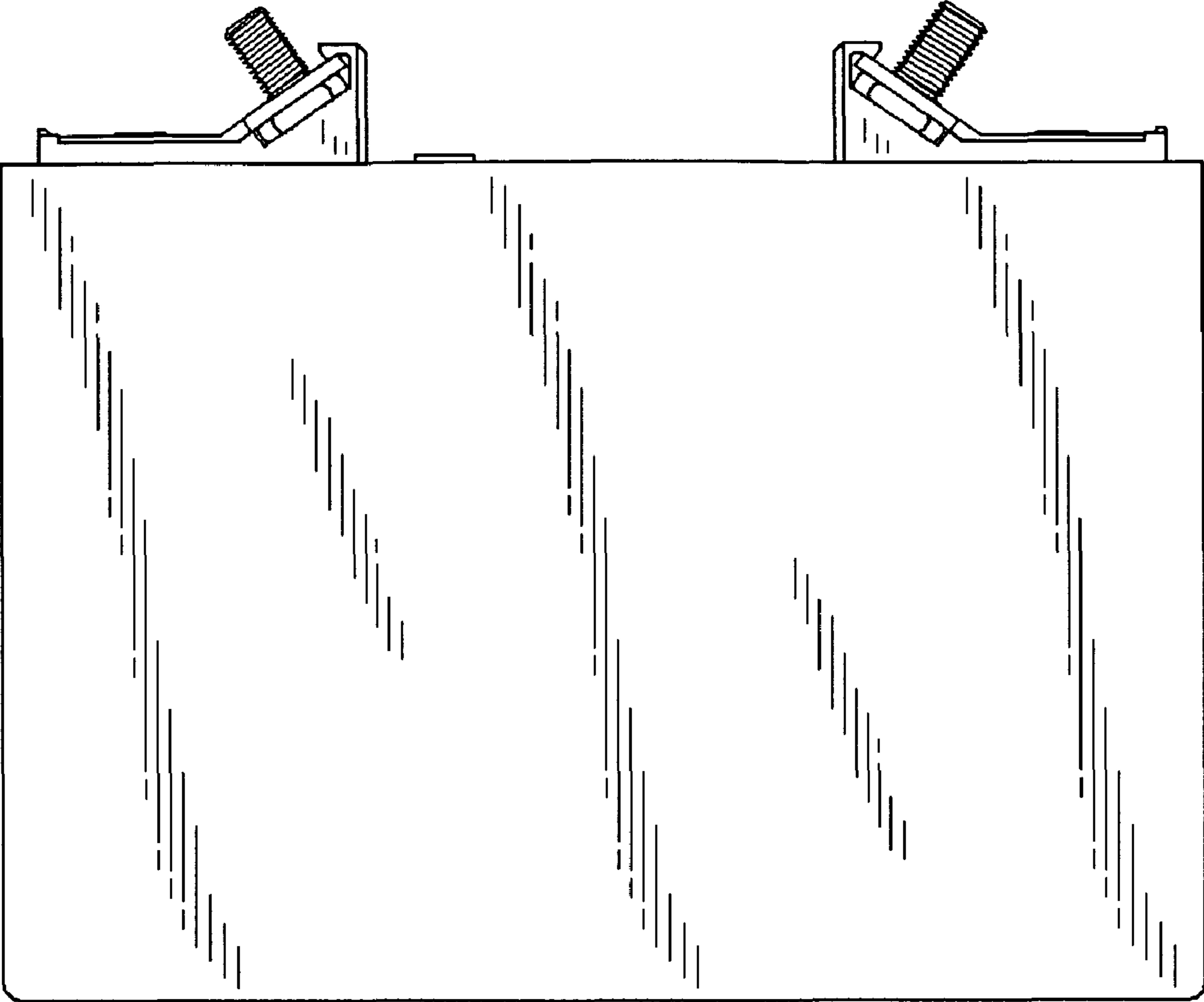


FIG. 4

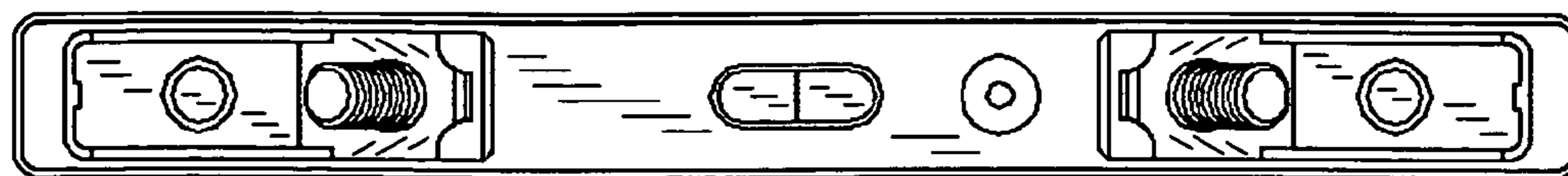


FIG. 5



FIG. 6

