



US00D645812S

(12) **United States Design Patent**
Tokizaki

(10) **Patent No.:** **US D645,812 S**

(45) **Date of Patent:** **** *Sep. 27, 2011**

(54) **AUTOMOBILE TIRE**

(75) Inventor: **Hiroshi Tokizaki**, Tokyo (JP)

(73) Assignee: **The Yokohama Rubber Co., Ltd.** (JP)

(**) Term: **14 Years**

(21) Appl. No.: **29/372,654**

(22) Filed: **Dec. 20, 2010**

(30) **Foreign Application Priority Data**

Jul. 5, 2010 (JP) 2010-016397

(51) **LOC (9) Cl.** **12-15**

(52) **U.S. Cl.** **D12/605**

(58) **Field of Classification Search** D12/500–501,
D12/544, 579, 600–605; 152/523–524, DIG. 12,
152/555; D7/588, 396.4–396.5
See application file for complete search history.

(56) **References Cited**

U.S. PATENT DOCUMENTS

D450,034 S *	11/2001	Kajikawa	D12/605
D452,203 S *	12/2001	Kajikawa	D12/605
D541,211 S *	4/2007	Shondel et al.	D12/605
D584,222 S *	1/2009	Ohashi	D12/605
D597,025 S *	7/2009	Fujita	D12/605
D626,502 S *	11/2010	Nakamura	D12/605
D632,641 S *	2/2011	Sato	D12/605
D638,783 S *	5/2011	Endou et al.	D12/605

FOREIGN PATENT DOCUMENTS

JP	D1080461	7/2000
JP	D1125819	11/2001
JP	D1154488	9/2002
JP	D1155722	10/2002
JP	D1159290	11/2002
JP	D1179345	7/2003
JP	D1186621	10/2003
JP	D1240124	5/2005

JP	D1240841	5/2005
JP	D1257249	12/2005
JP	D1257250	12/2005
JP	D1269489	4/2006
JP	D1333103	6/2008
JP	D1333520	6/2008
JP	D1334080	1/2009
JP	D1371749	10/2009

* cited by examiner

Primary Examiner — Stacia Cadmus

(74) *Attorney, Agent, or Firm* — SAIDMAN DesignLaw Group

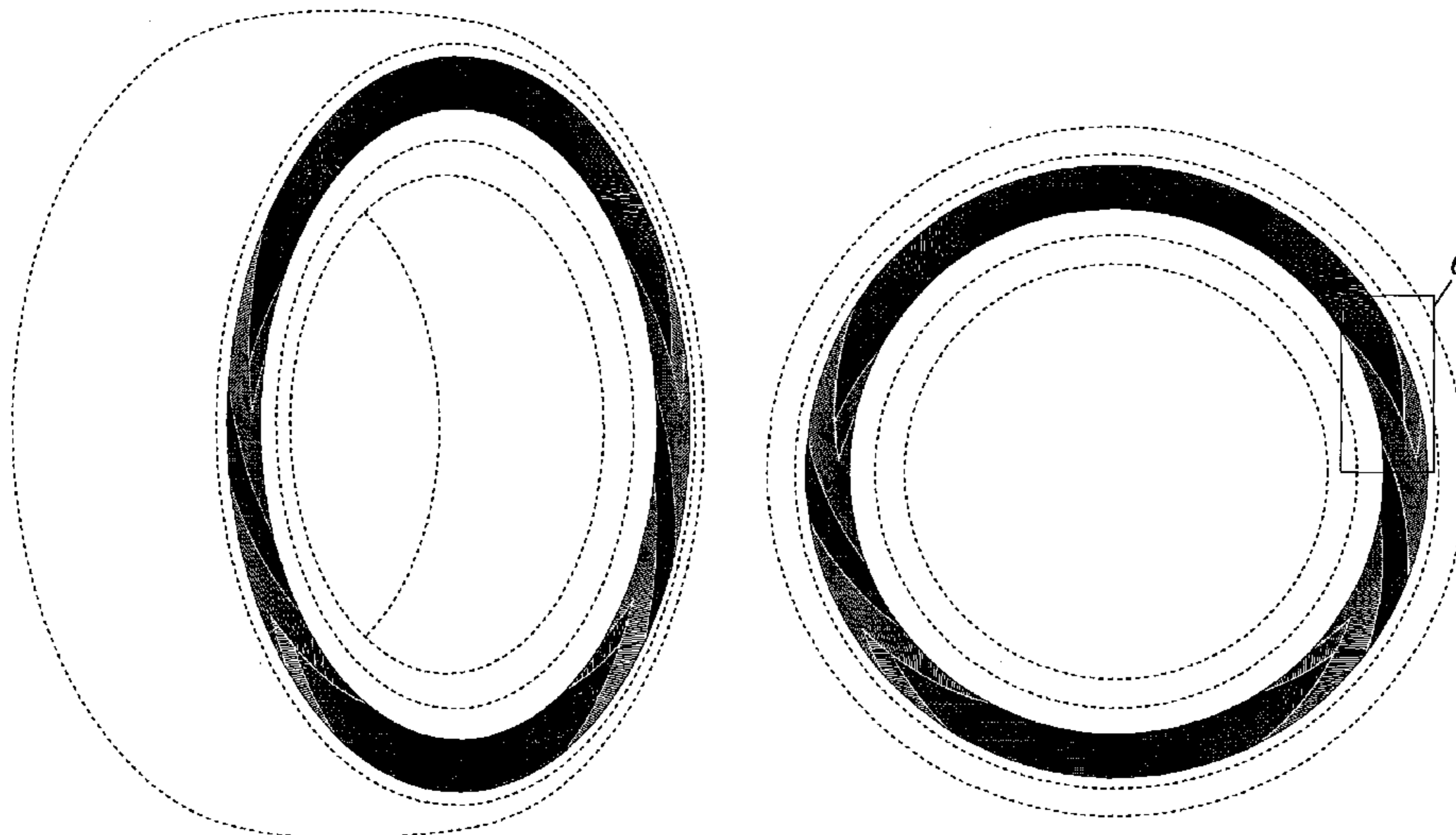
(57) **CLAIM**

The ornamental design for an automobile tire, as shown and described.

DESCRIPTION

FIG. 1 is an enlarged perspective view of front and left side of an automobile tire showing my new design;
 FIG. 2 is a front view thereof;
 FIG. 3 is a rear view thereof;
 FIG. 4 is a top plan view thereof;
 FIG. 5 is a left side view, a right side view being a mirror image thereof;
 FIG. 6 is a partially enlarged view at 6 shown in FIG. 2 thereof;
 FIG. 7 is a partially enlarged reference view at 6 shown in FIG. 2 thereof;
 FIG. 8 is an enlarged end view at 8—8 shown in FIG. 7 thereof;
 FIG. 9 is an enlarged end view at 9—9 shown in FIG. 7 thereof; and,
 FIG. 10 is an enlarged end view at 10—10 shown in FIG. 7 thereof.
 The broken lines illustrate portions of the automobile tire and form no part of the claimed design.

1 Claim, 6 Drawing Sheets



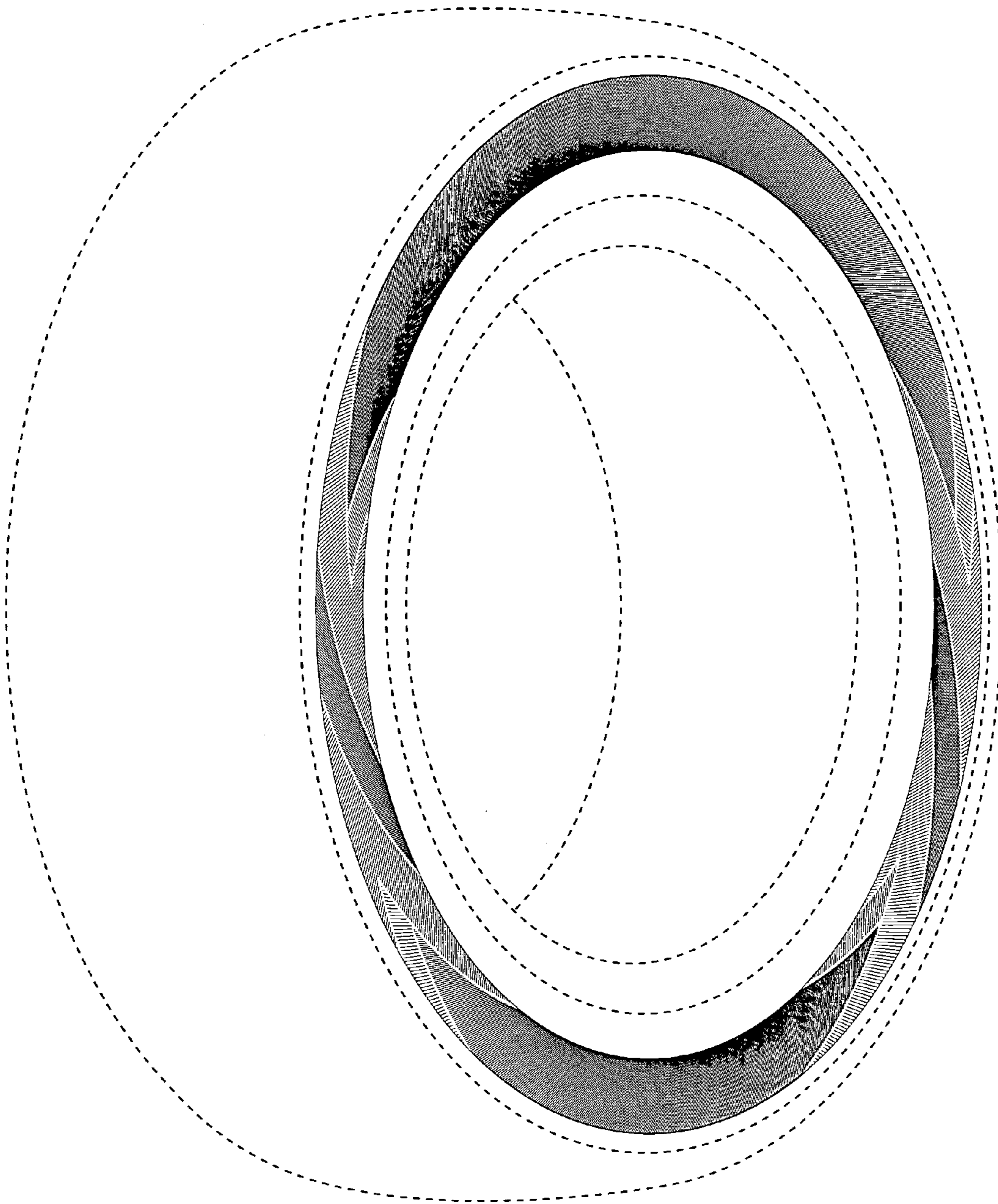


FIG. 1

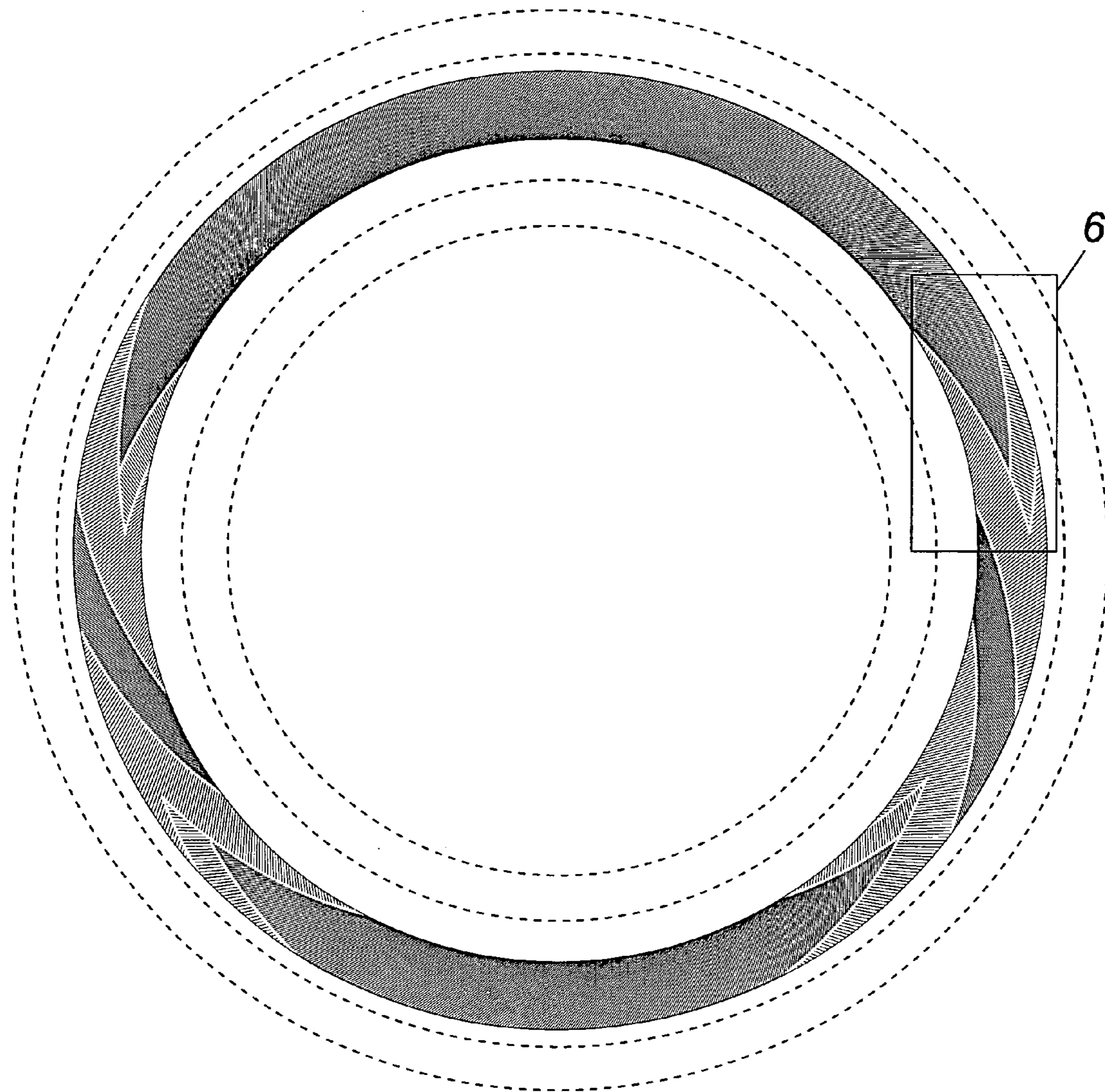


FIG. 2

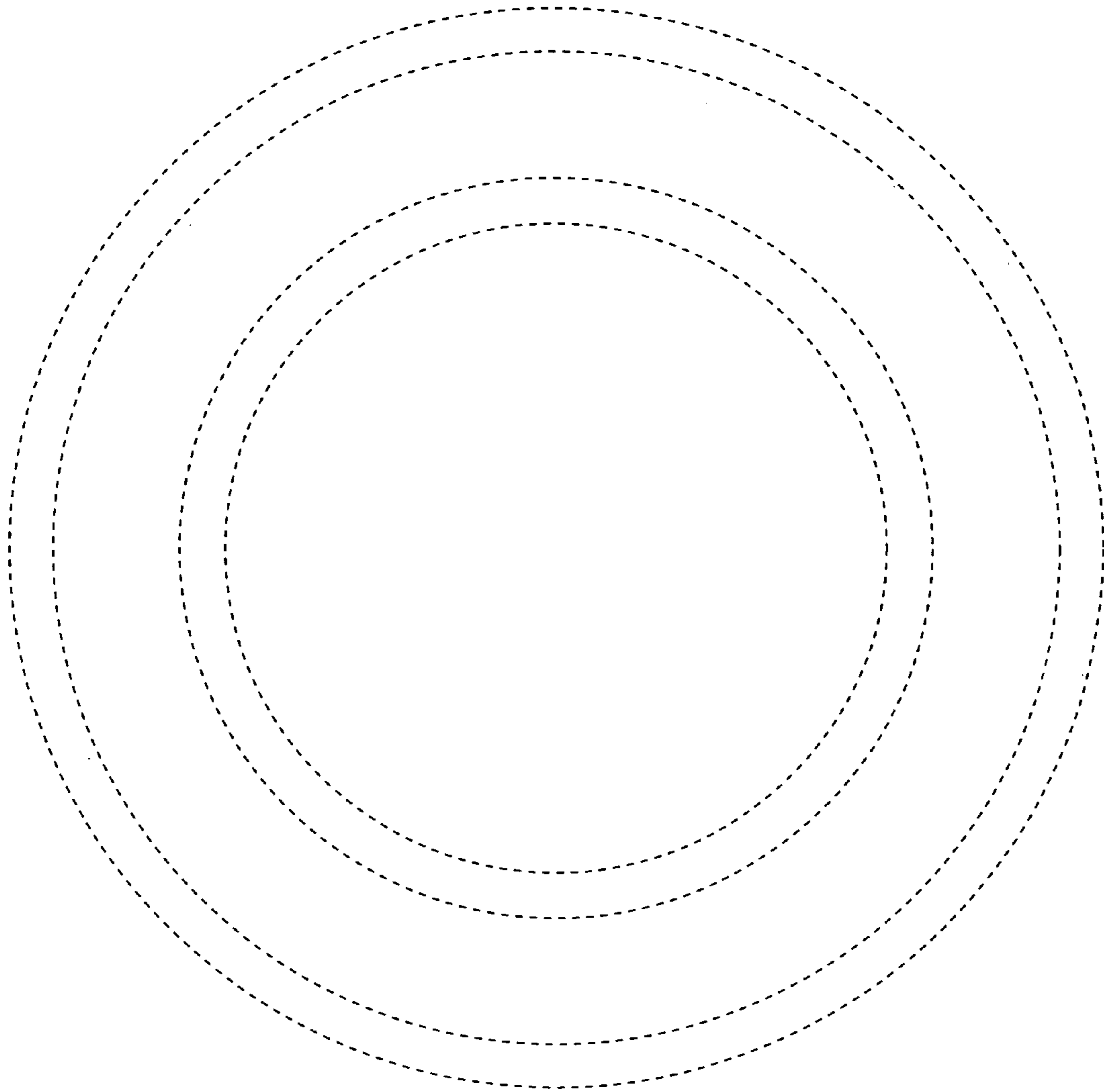


FIG. 3

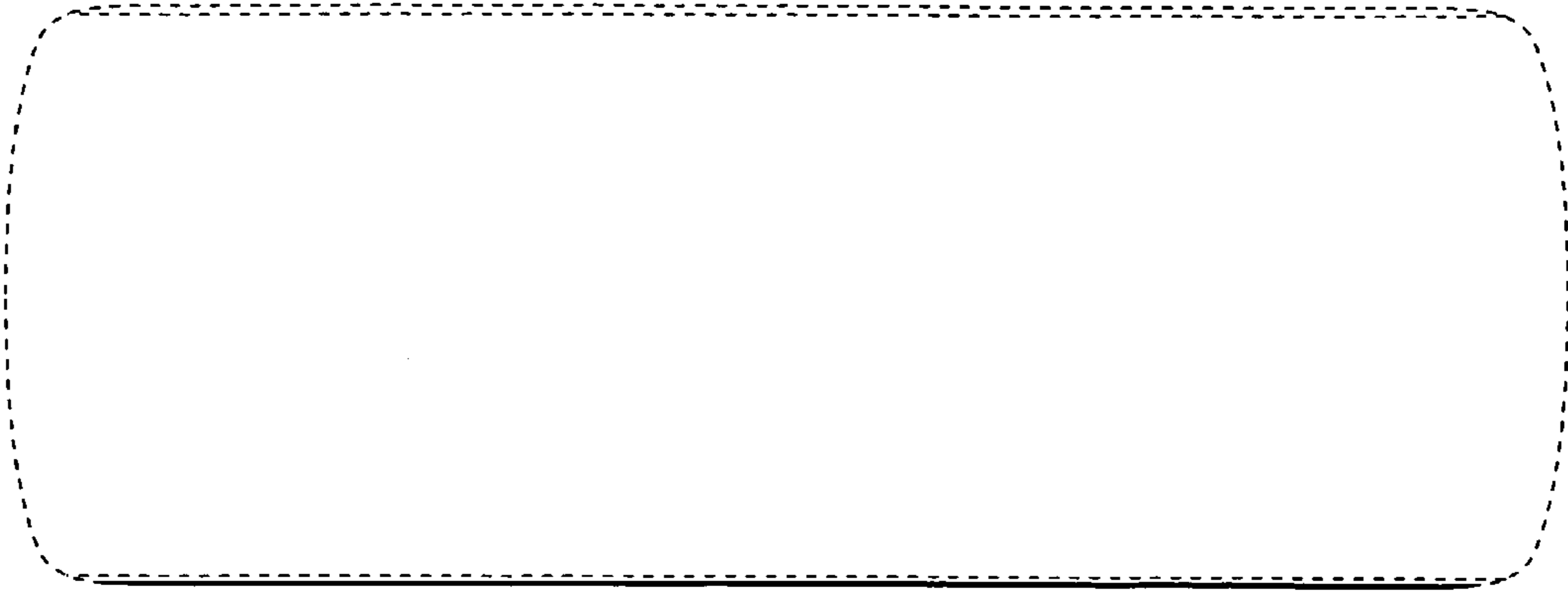


FIG. 4

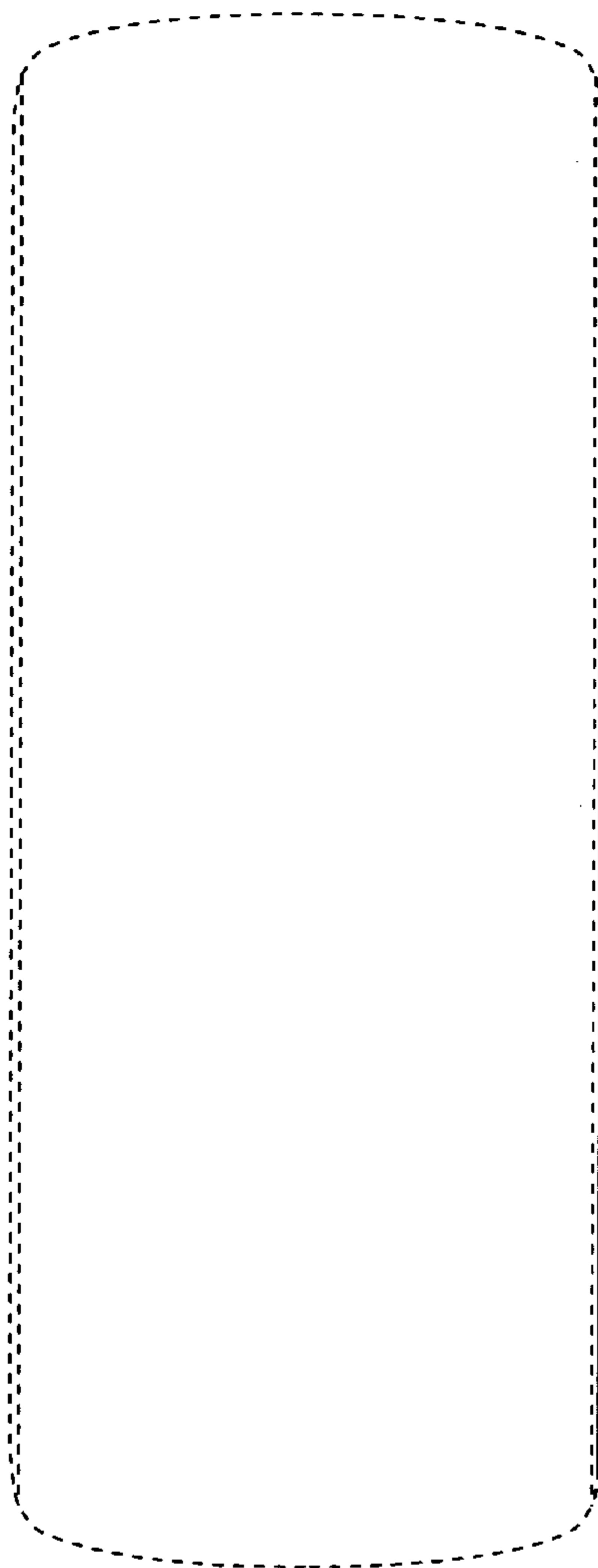


FIG. 5

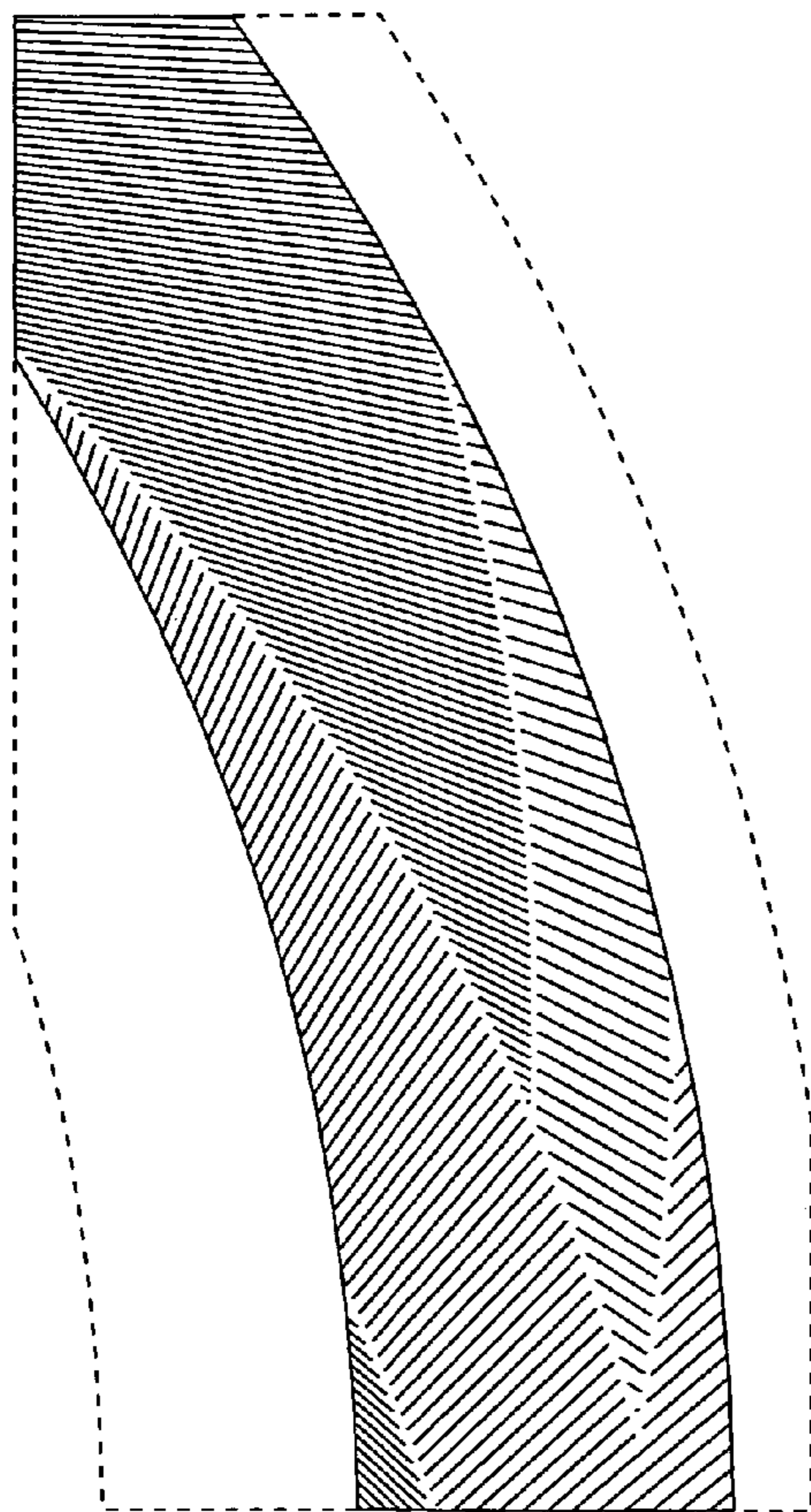


FIG. 6

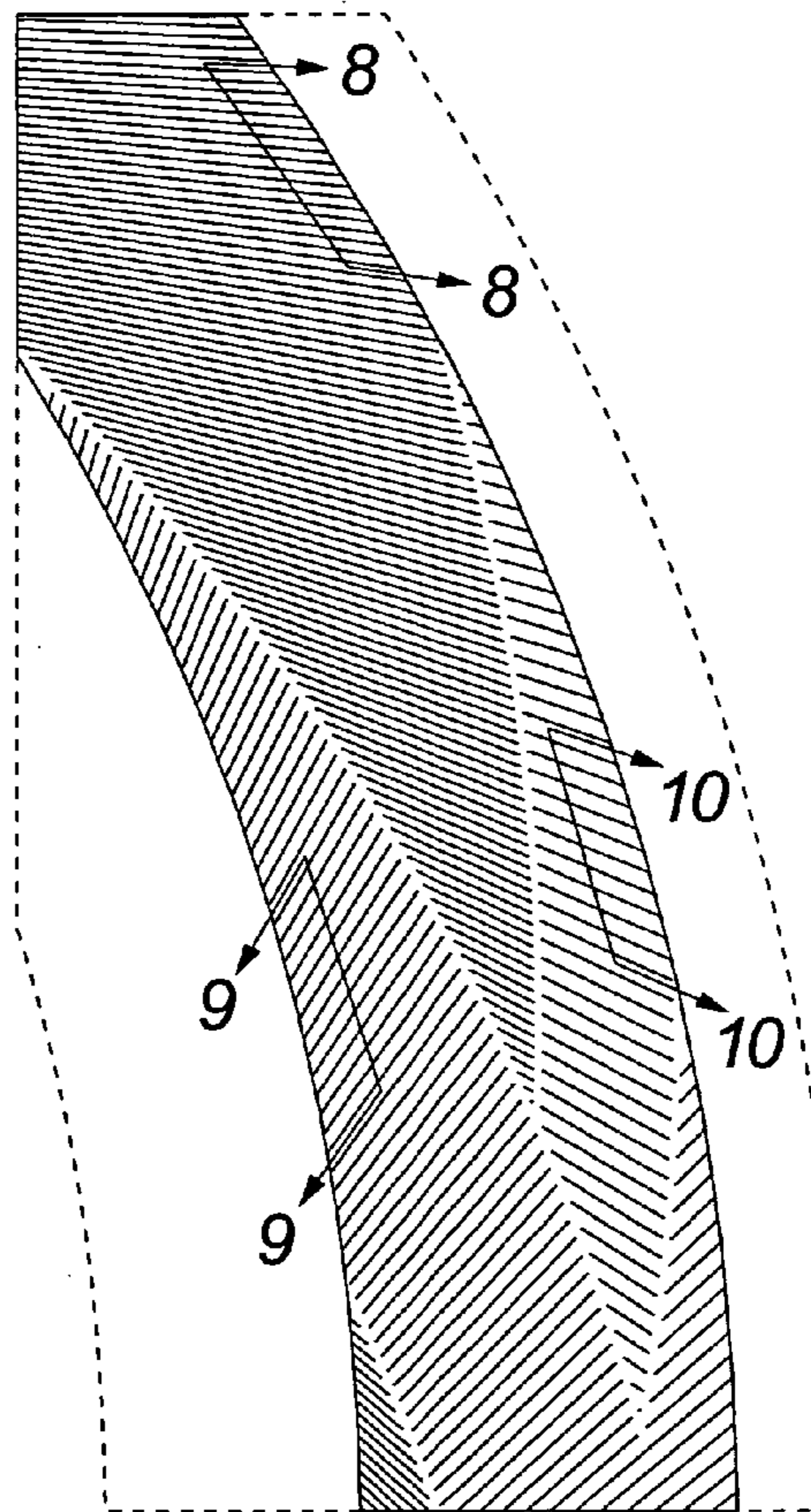


FIG. 7

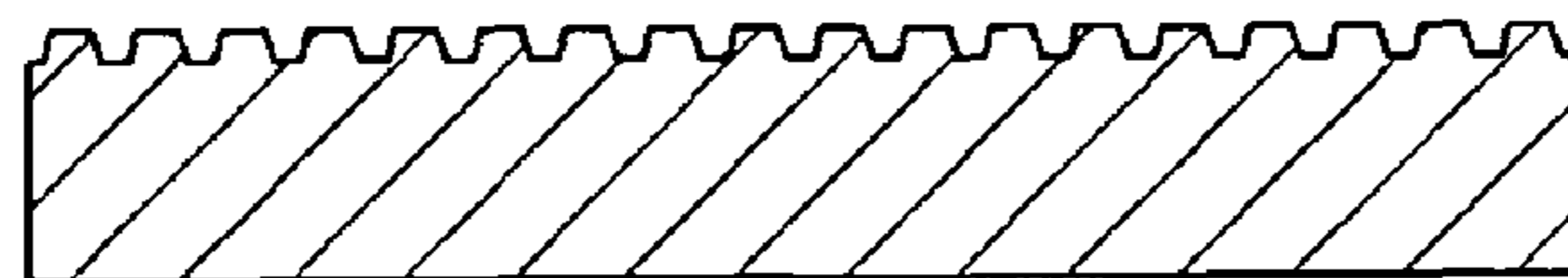


FIG. 8



FIG. 9



FIG. 10