



US00D645807S

(12) **United States Design Patent**
Scharis et al.

(10) **Patent No.:** **US D645,807 S**

(45) **Date of Patent:** **** Sep. 27, 2011**

(54) **TIRE**

(75) Inventors: **Alexandre Andre Scharis**, Trois-ponts (BE); **Alain Joseph Jose Godefroid**, Meix-le-Tige (BE); **Jean-Nicolas Helt**, Braumont (FR)

(73) Assignee: **The Goodyear Tire & Rubber Company**, Akron, OH (US)

(**) Term: **14 Years**

(21) Appl. No.: **29/356,079**

(22) Filed: **Feb. 19, 2010**

(51) **LOC (9) Cl.** **12-16**

(52) **U.S. Cl.** **D12/583**

(58) **Field of Classification Search** D12/582-585;
152/209.1, 209.12, 209.18, 209.25

See application file for complete search history.

(56) **References Cited**

U.S. PATENT DOCUMENTS

D127,333 S *	5/1941	Thacher	D12/583
2,308,467 A *	1/1943	Kovacs	152/209.18
D255,025 S *	5/1980	Takigawa et al.	D12/583
D370,439 S	6/1996	Feider et al.	D12/141
D423,422 S	4/2000	Schover et al.	D12/146
D451,440 S	12/2001	Weber	D12/146
D451,441 S	12/2001	Weber	D12/146
D453,729 S	2/2002	Demagall et al.	D12/523
D534,484 S	1/2007	Feider et al.	D12/584
D545,756 S	7/2007	Feider et al.	D12/521
D554,053 S	10/2007	Feider et al.	D12/588
D555,081 S	11/2007	Feider et al.	D12/588

D581,347 S	11/2008	Feider et al.	D12/523
D583,302 S	12/2008	Shavers et al.	D12/518
D620,879 S *	8/2010	Westaway	D12/583

* cited by examiner

Primary Examiner — Richard E Chilcot

Assistant Examiner — George D Kirschbaum

(74) *Attorney, Agent, or Firm* — Richard B. O'Planick

(57) **CLAIM**

The ornamental design for a tire, as shown and described.

DESCRIPTION

FIG. 1 is a perspective view of a tire showing our new design, it being understood that the pattern repeats uniformly throughout the circumference of the tread;

FIG. 2 is a front elevational view thereof;

FIG. 3 is a right side elevational view thereof; the opposite side elevational view being identical thereto;

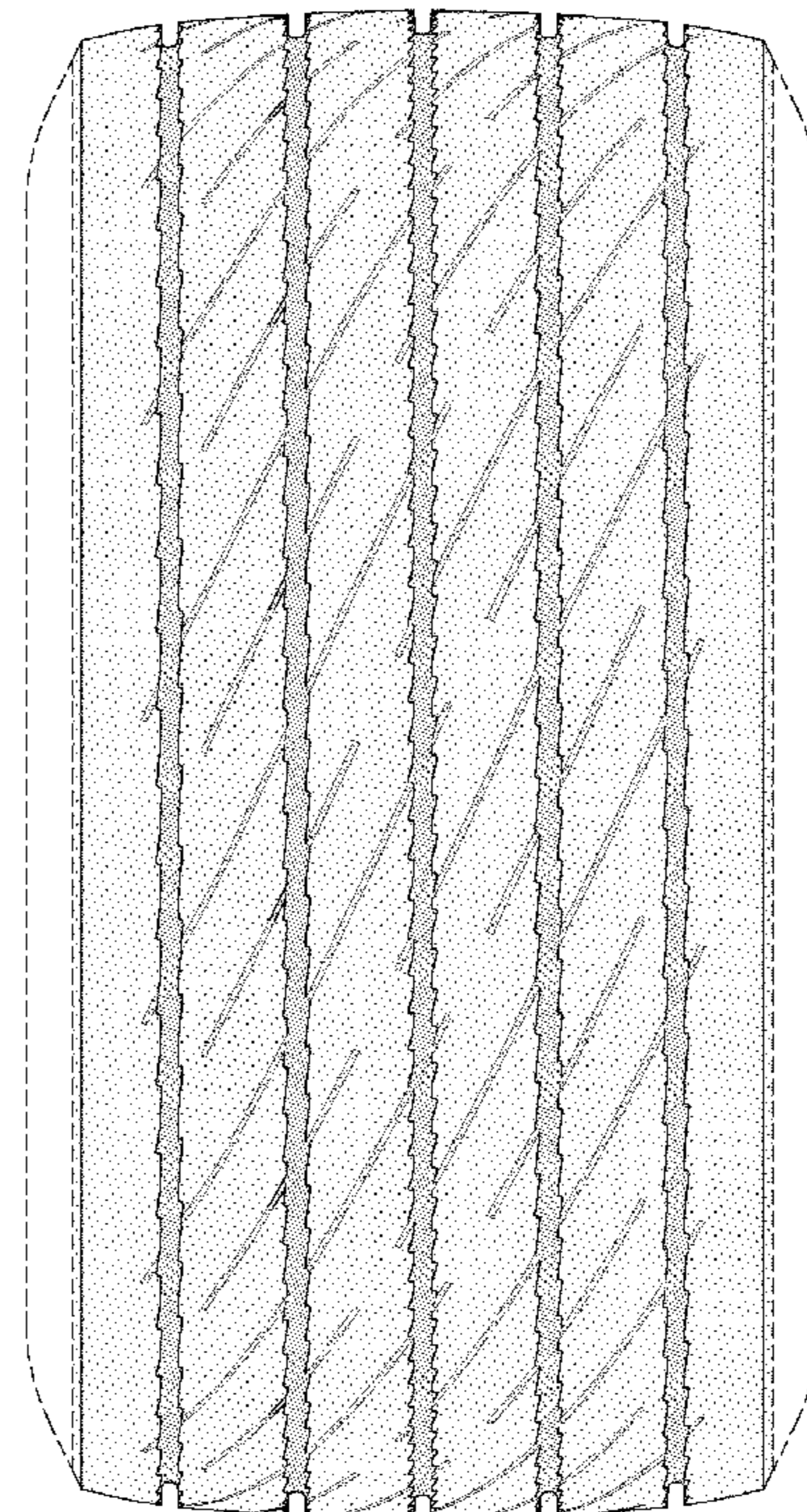
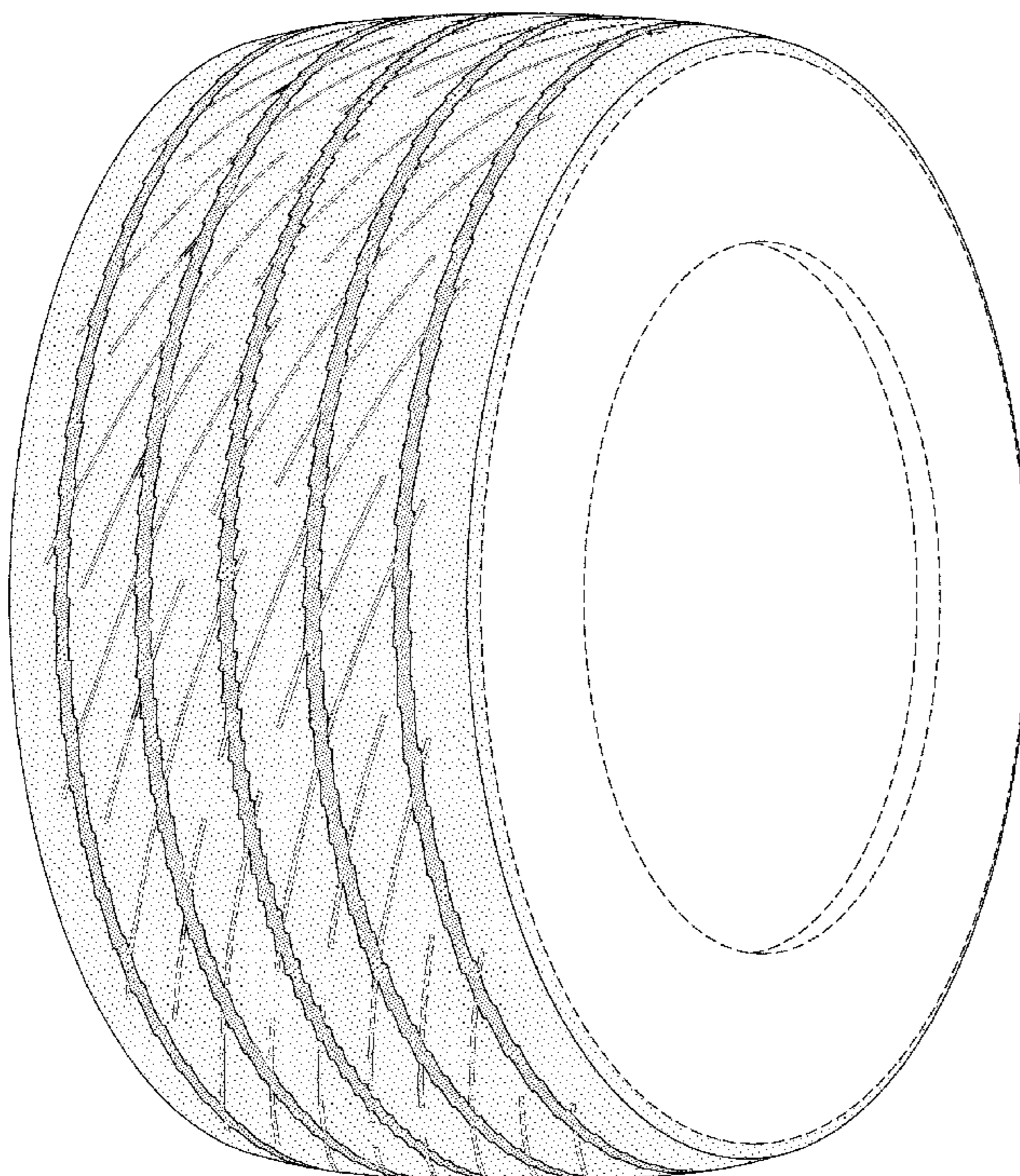
FIG. 4 is an enlarged fragmentary front elevational view thereof;

FIG. 5 is a perspective view of a second embodiment of a tire showing our new design, it being understood that the pattern repeats uniformly throughout the circumference of the tread and that the opposite side view is identical thereto; and,

FIG. 6 is a front elevational view of a second embodiment, it being understood that an enlarged fragmentary view thereof would be substantially identical to that shown in FIG. 4, with the exception of the inclusion of the sidewall in solid lines.

In the drawings, the broken lines showing of the sidewall, inner bead and the peripheral boundary between the tire tread and the sidewall in FIGS. 1 through 4 depict environmental subject matter and form no part of the claimed design.

1 Claim, 6 Drawing Sheets



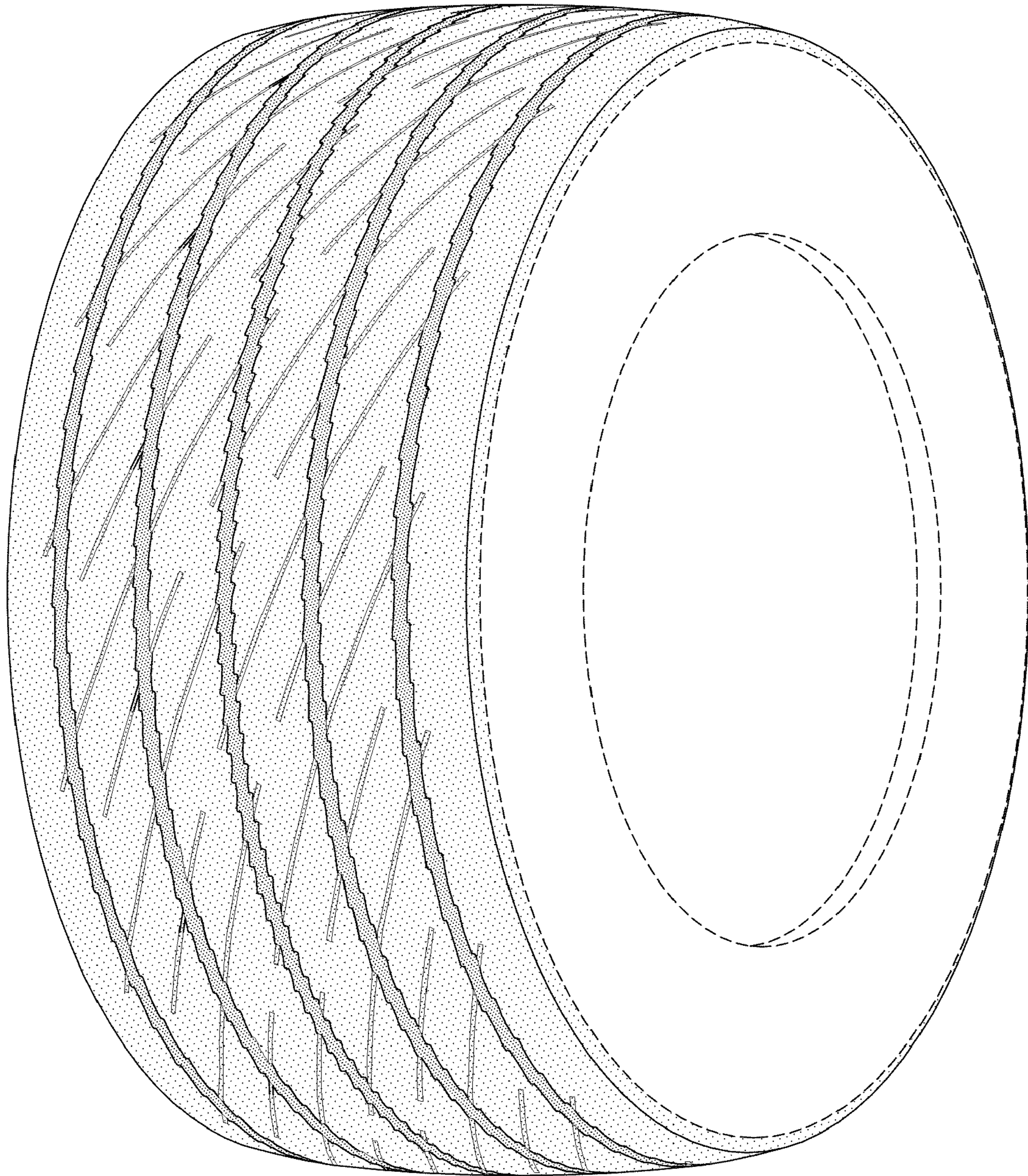


FIG-1

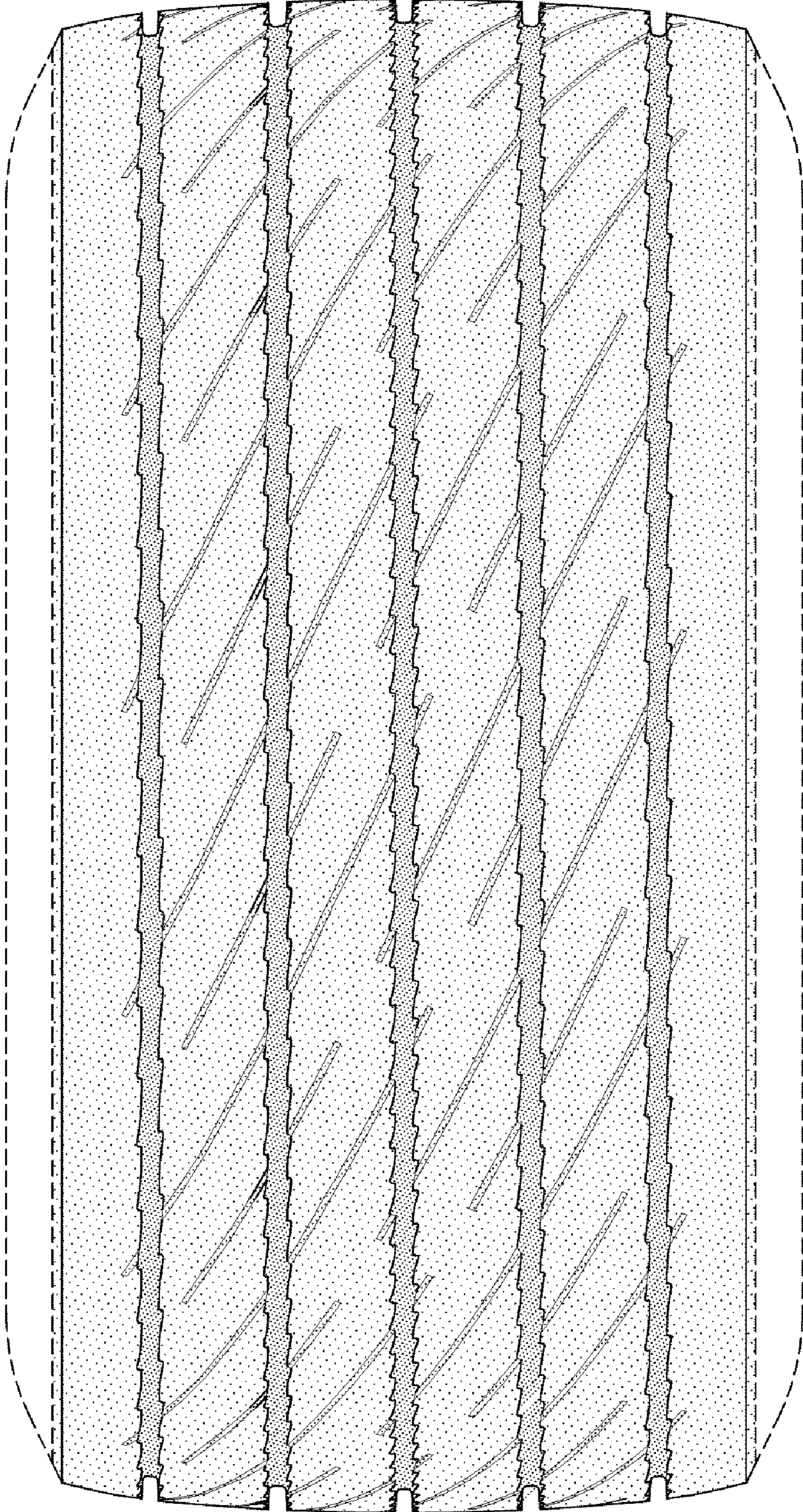


FIG-2

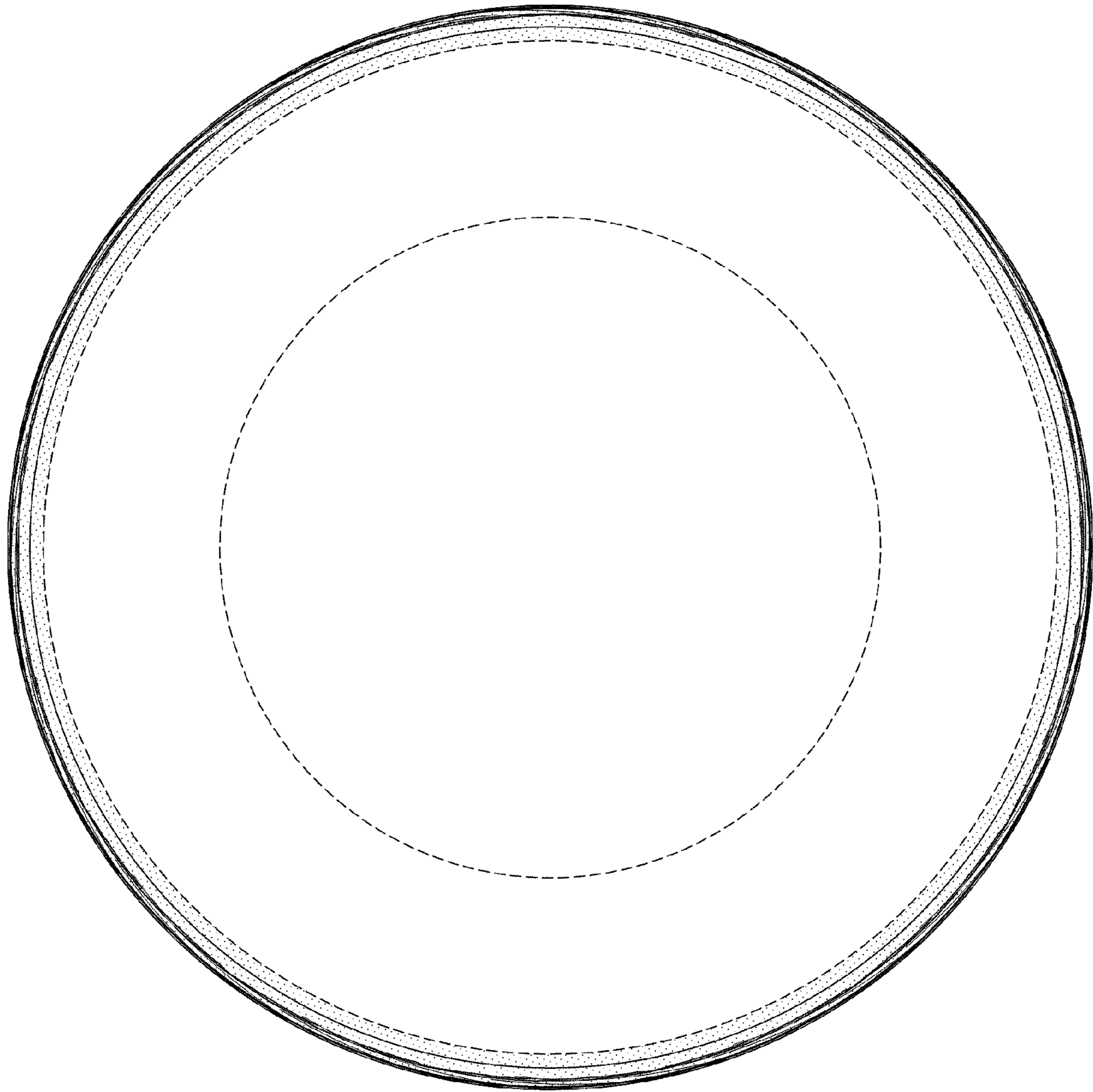


FIG-3

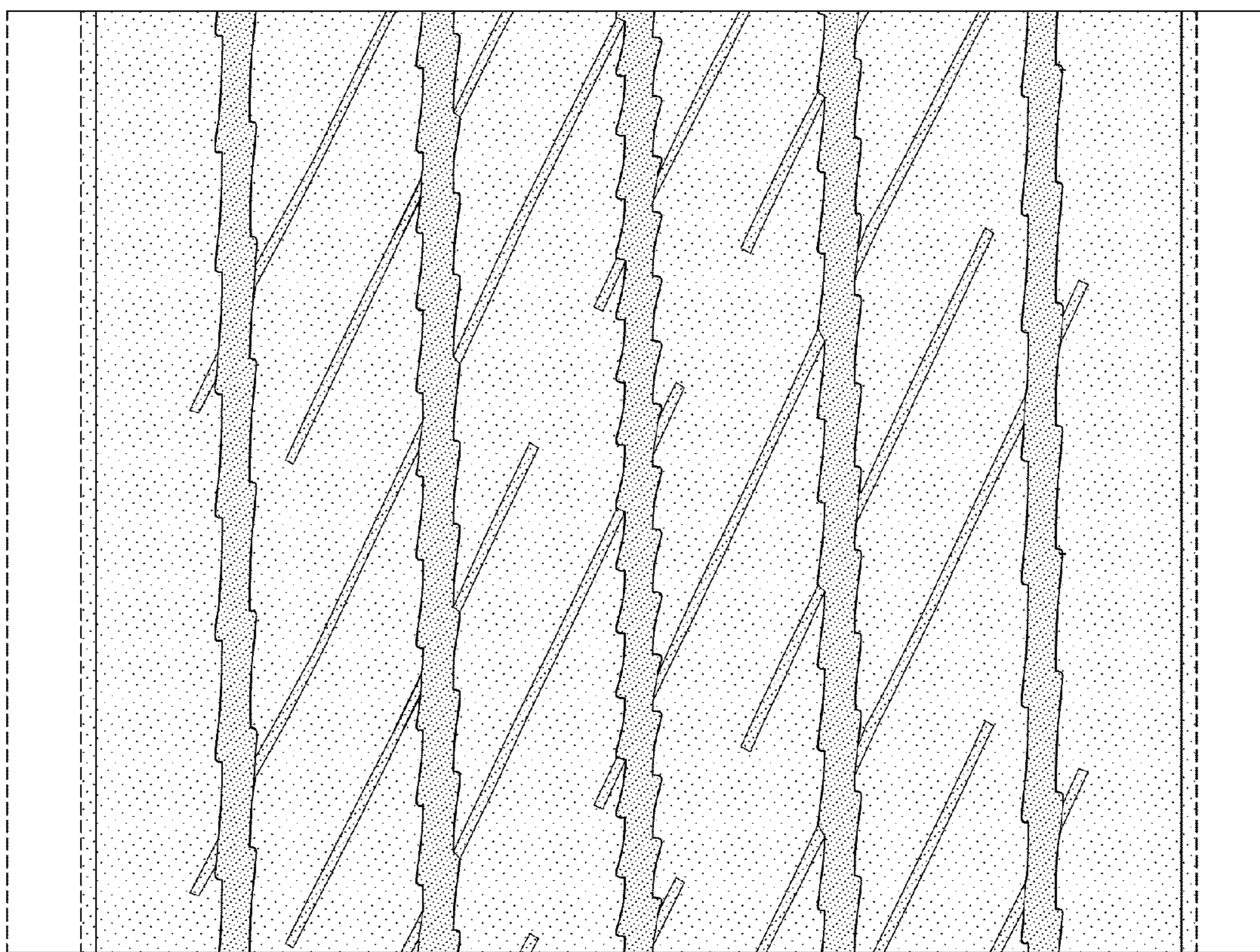


FIG-4

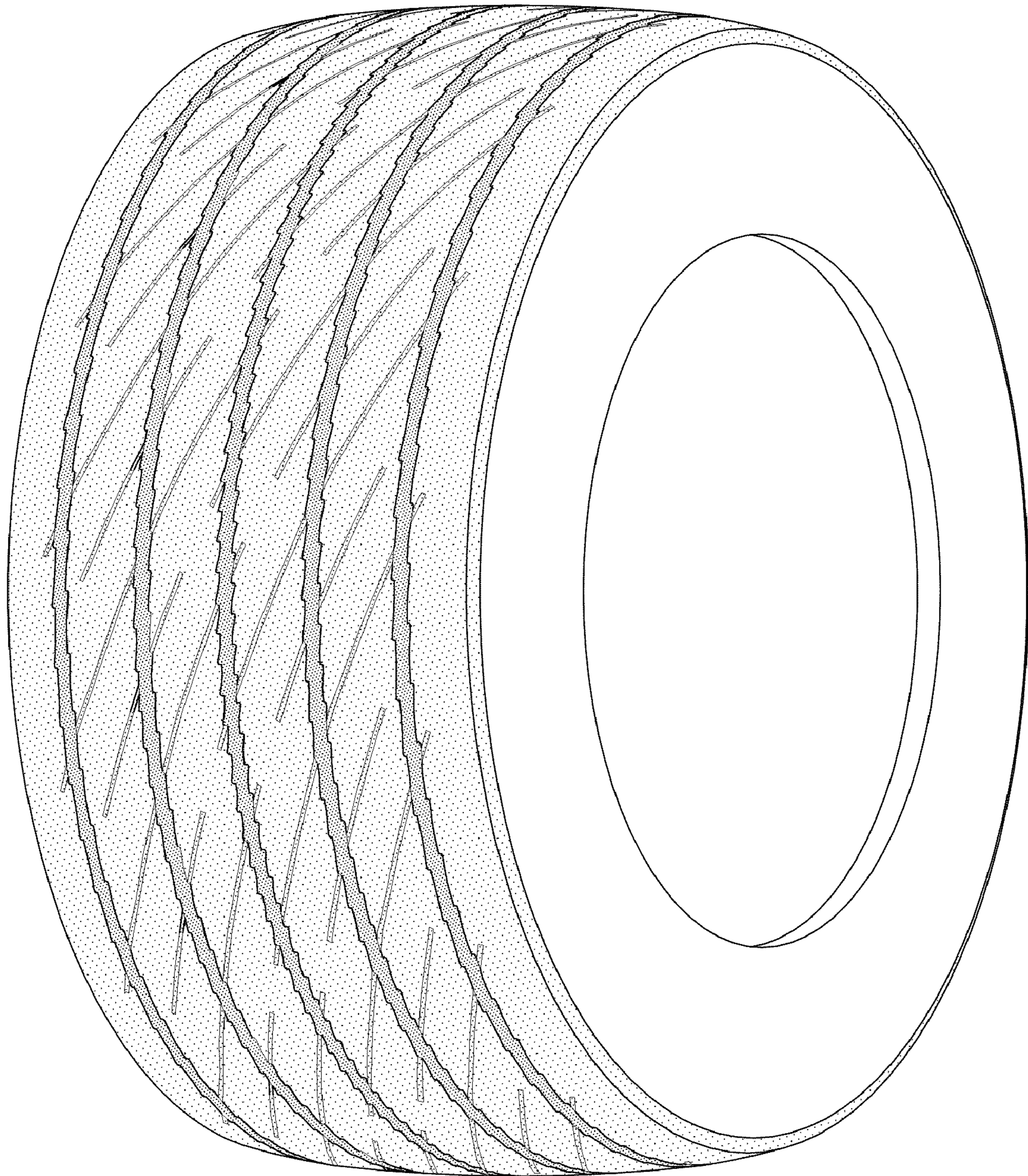


FIG-5

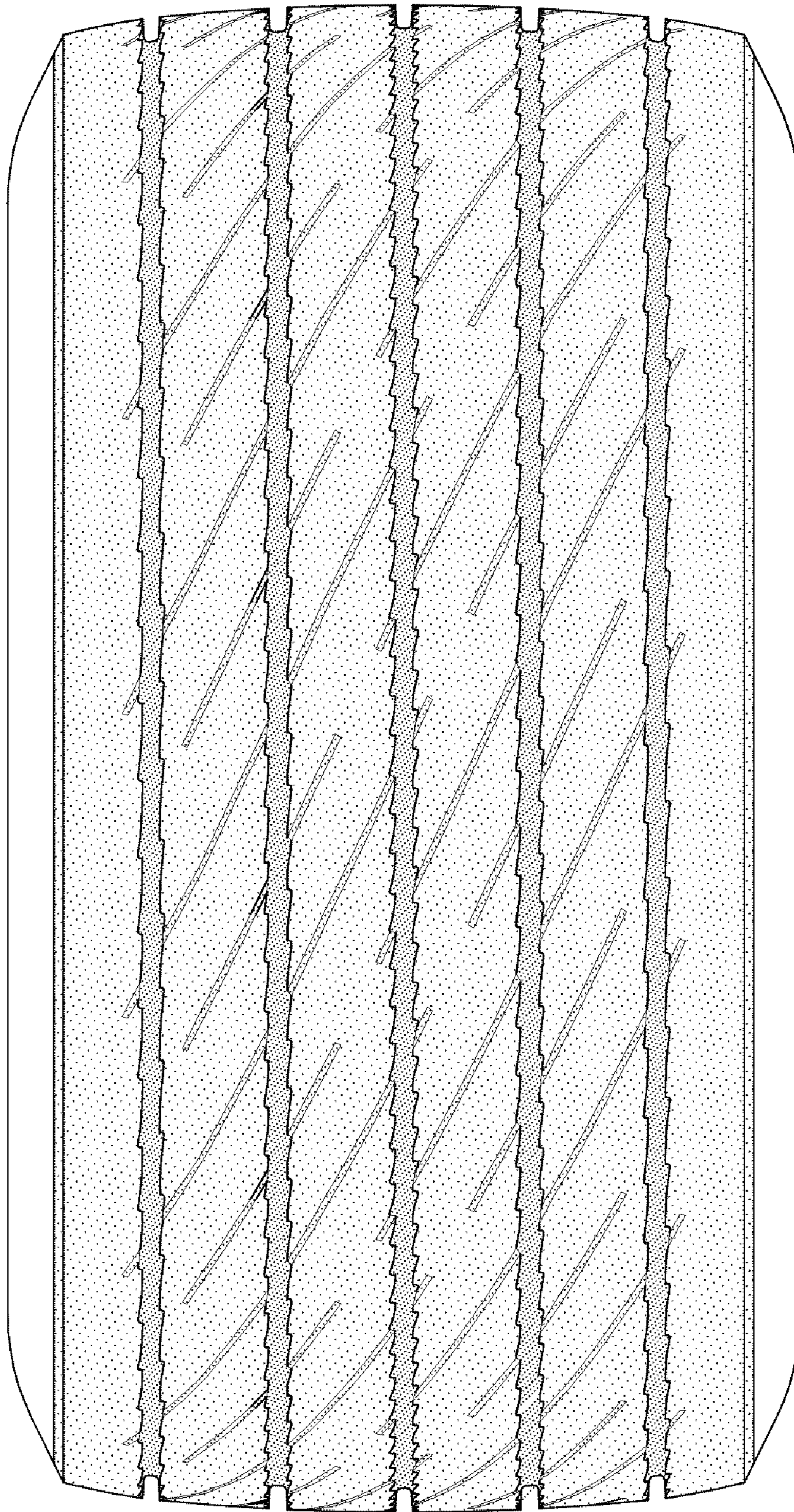


FIG-6