



US00D645806S

(12) **United States Design Patent**
Dixon et al.

(10) **Patent No.:** **US D645,806 S**

(45) **Date of Patent:** **** Sep. 27, 2011**

(54) **TIRE**

(75) Inventors: **Max Harold Dixon**, Kent, OH (US);
Ashley Amanda Strader, Akron, OH (US)

(73) Assignee: **The Goodyear Tire & Rubber Company**, Akron, OH (US)

(**) Term: **14 Years**

(21) Appl. No.: **29/380,241**

(22) Filed: **Dec. 2, 2010**

(51) **LOC (9) Cl.** **12-15**

(52) **U.S. Cl.** **D12/579; D12/602**

(58) **Field of Classification Search** D12/568-603,
D12/544, 566, 900-901; 152/209.1-209.28,
152/455

See application file for complete search history.

(56) **References Cited**

U.S. PATENT DOCUMENTS

D337,976 S	8/1993	Adam et al.	D12/142
D384,609 S	10/1997	Gillard et al.	D12/146
D384,613 S	10/1997	Le et al.	D12/146
D387,310 S	12/1997	Scheuren et al.	D12/143
D394,029 S	5/1998	Gillard et al.	D12/141
D402,937 S	12/1998	Robert	D12/146
D403,275 S	12/1998	Gillard et al.	D12/143
D478,862 S	8/2003	Gillard et al.	D12/602

D481,671 S	11/2003	Feider et al.	D12/601
D592,590 S	5/2009	Janesh et al.	D12/600
D599,282 S	9/2009	Nicolas	D12/588

Primary Examiner — Stacia Cadmus

(74) *Attorney, Agent, or Firm* — Richard B. O'Planick

(57) **CLAIM**

The ornamental design for a tire, as shown and described.

DESCRIPTION

FIG. 1 is a perspective view of a tire showing our new design, it being understood that the pattern repeats uniformly throughout the circumference of the tread;

FIG. 2 is a front elevational view thereof;

FIG. 3 is a right side elevational view thereof; the opposite side elevational view being identical thereto;

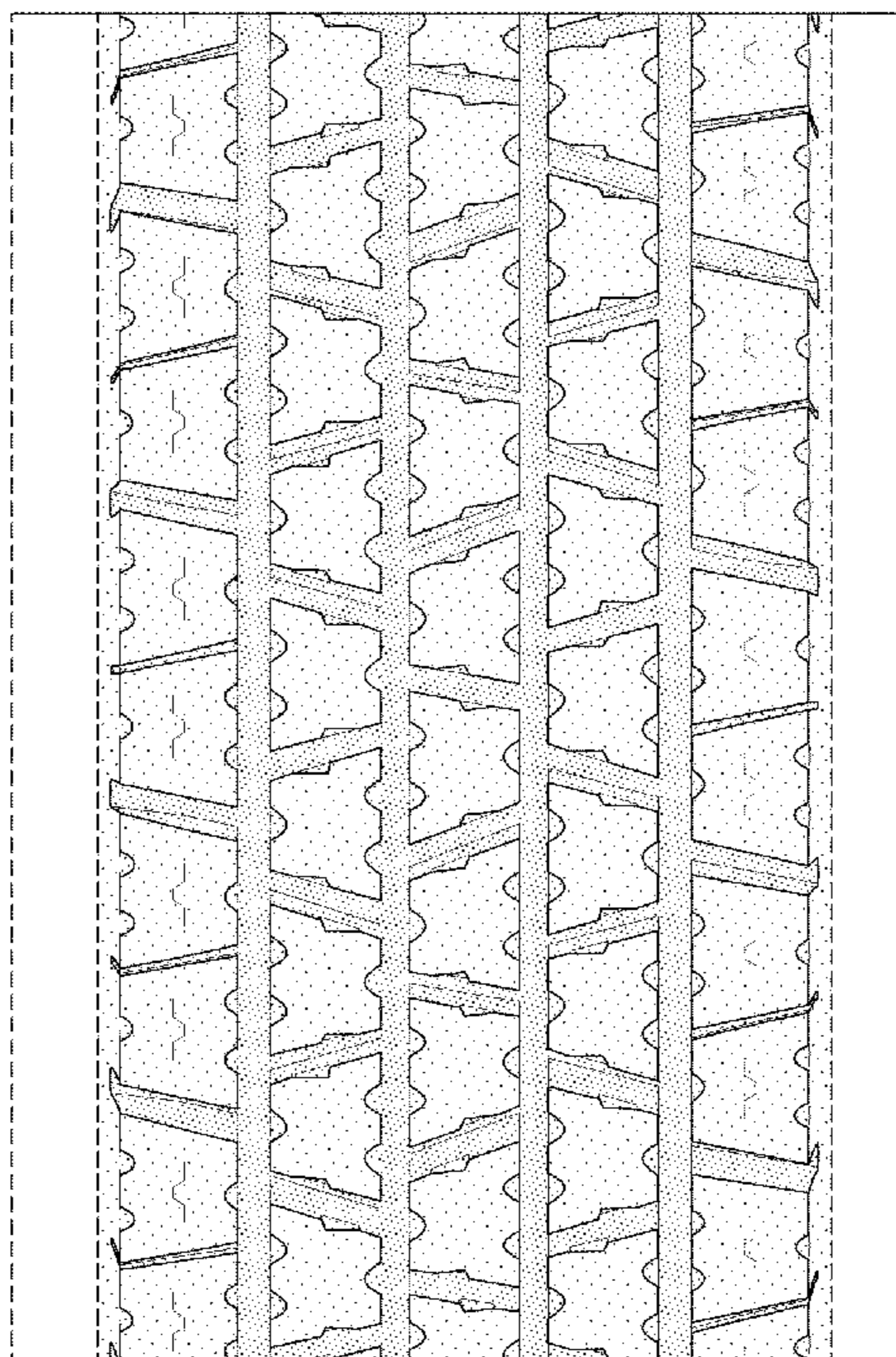
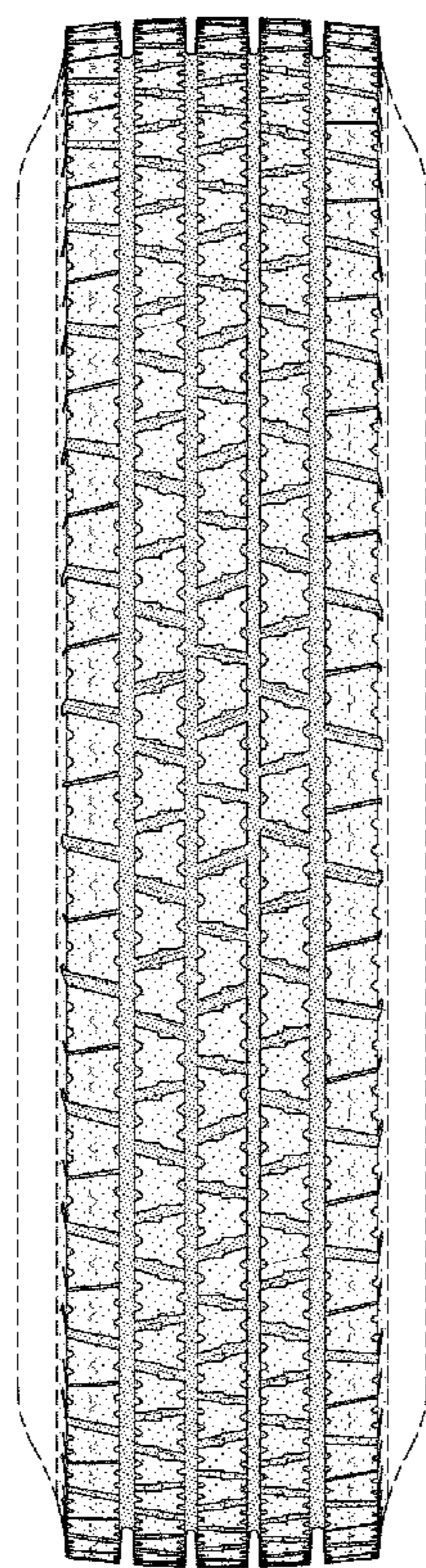
FIG. 4 is an enlarged fragmentary front elevational view thereof;

FIG. 5 is a perspective view of a second embodiment of a tire showing our new design, it being understood that the pattern repeats uniformly throughout the circumference of the tread and that the opposite side view is identical thereto; and,

FIG. 6 is a front elevational view of a second embodiment, it being understood that an enlarged fragmentary view thereof would be substantially identical to that shown in FIG. 4, with the exception of the inclusion of the sidewall in solid lines.

In the drawings, the broken lines showing of the sidewall, inner bead and the peripheral boundary between the tire tread and the sidewall in FIGS. 1 through 4 depict environmental subject matter and form no part of the claimed design.

1 Claim, 6 Drawing Sheets



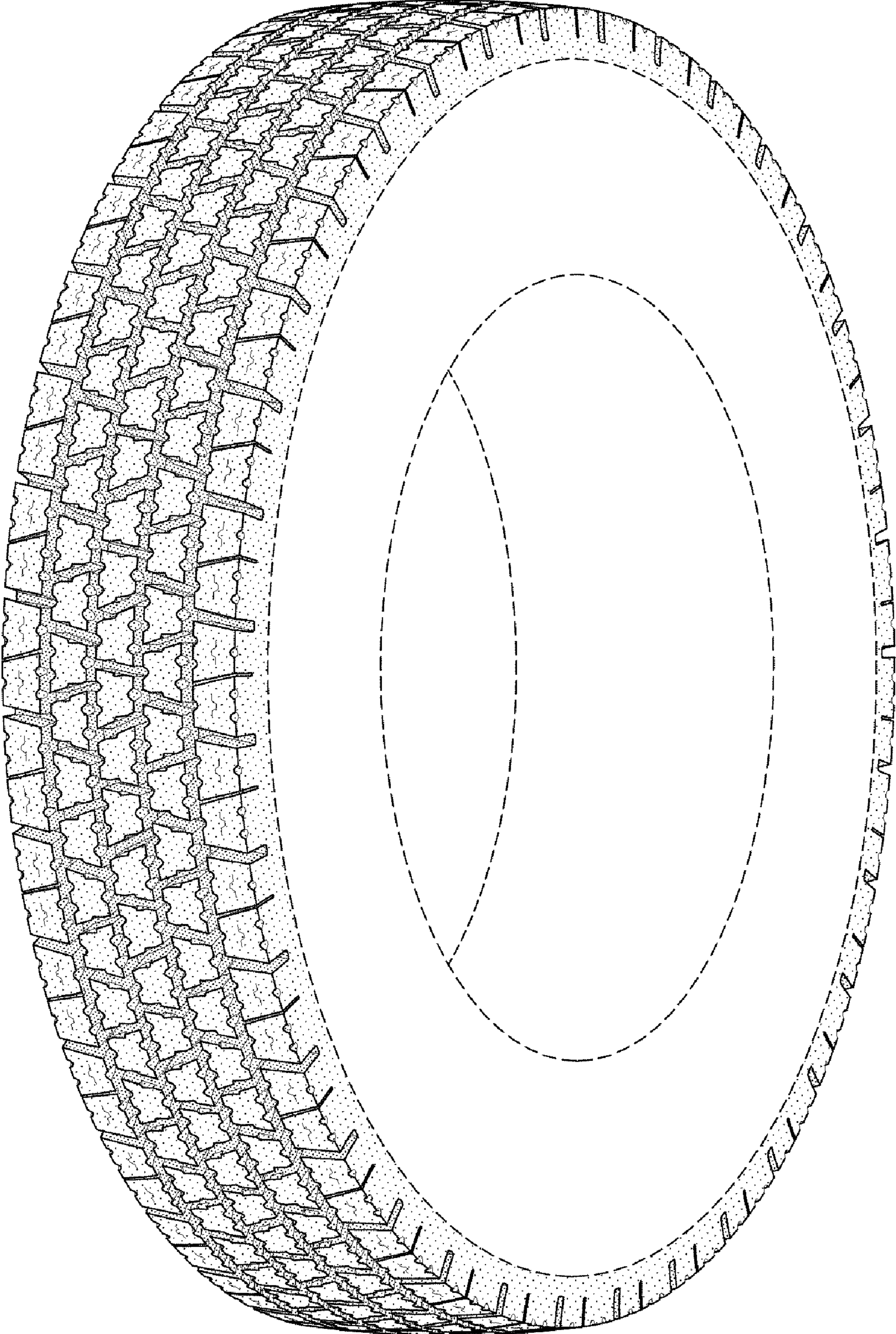


FIG-1

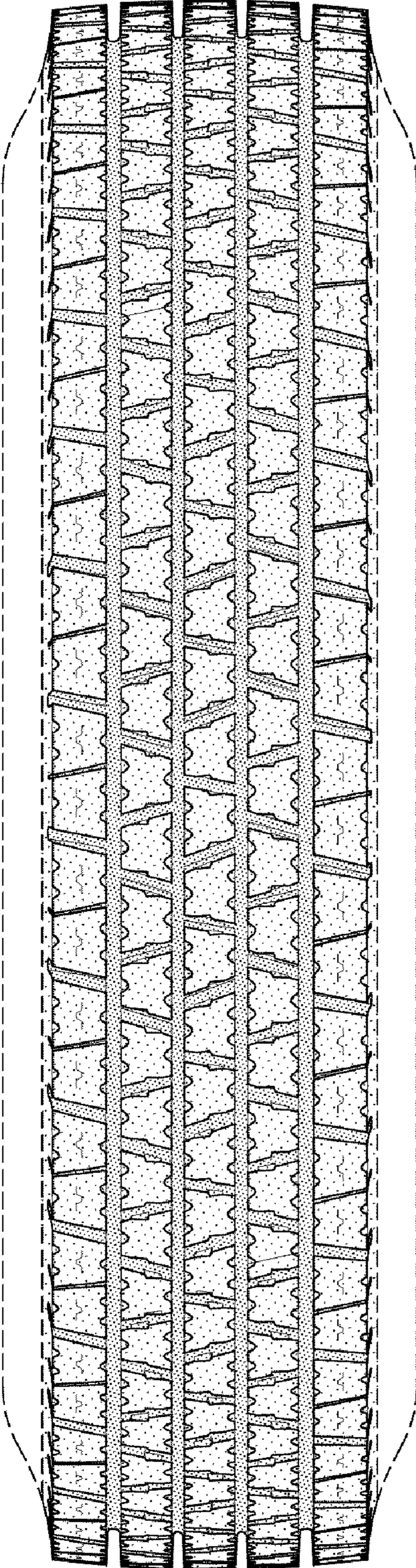


FIG-2

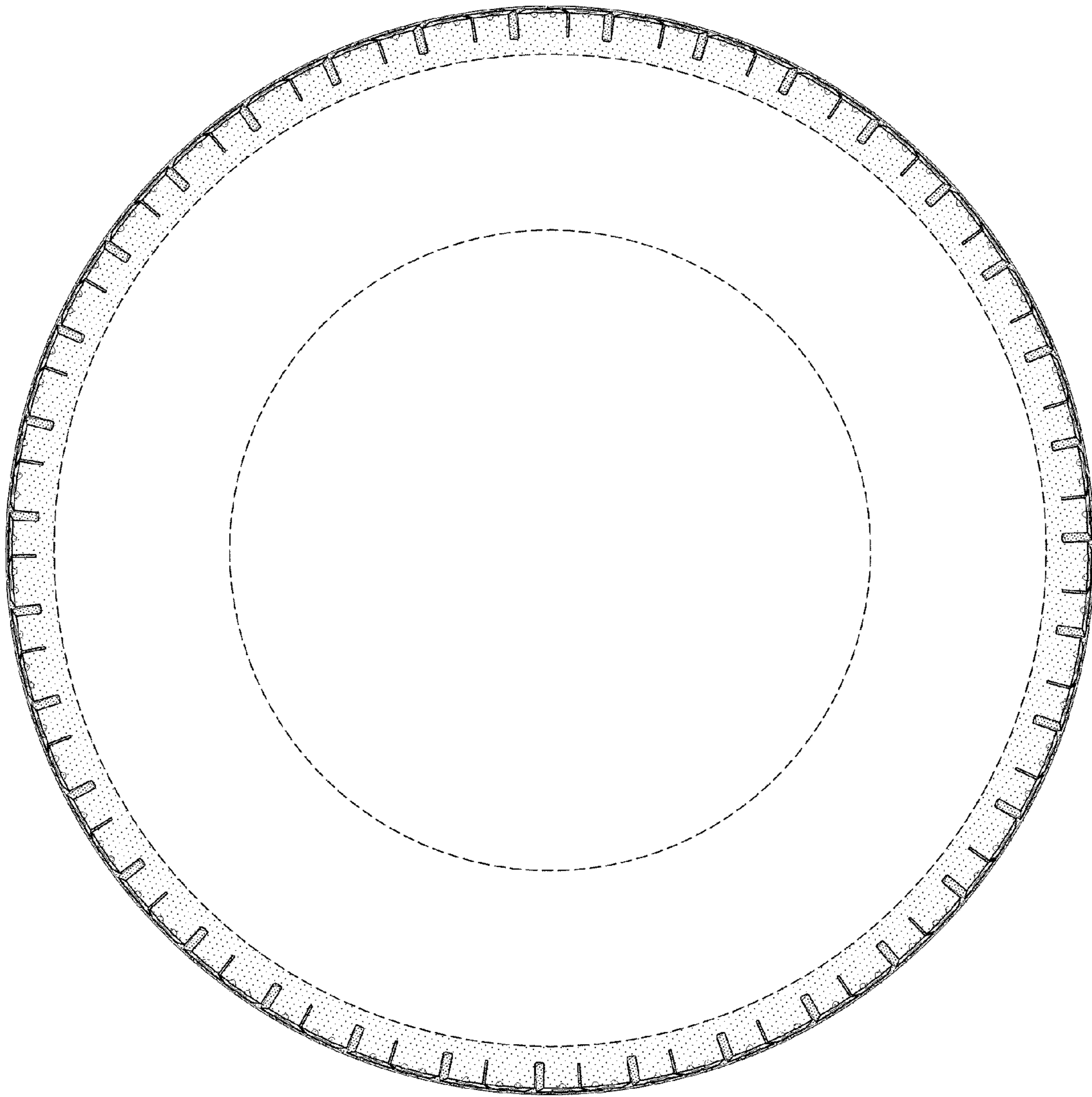


FIG-3

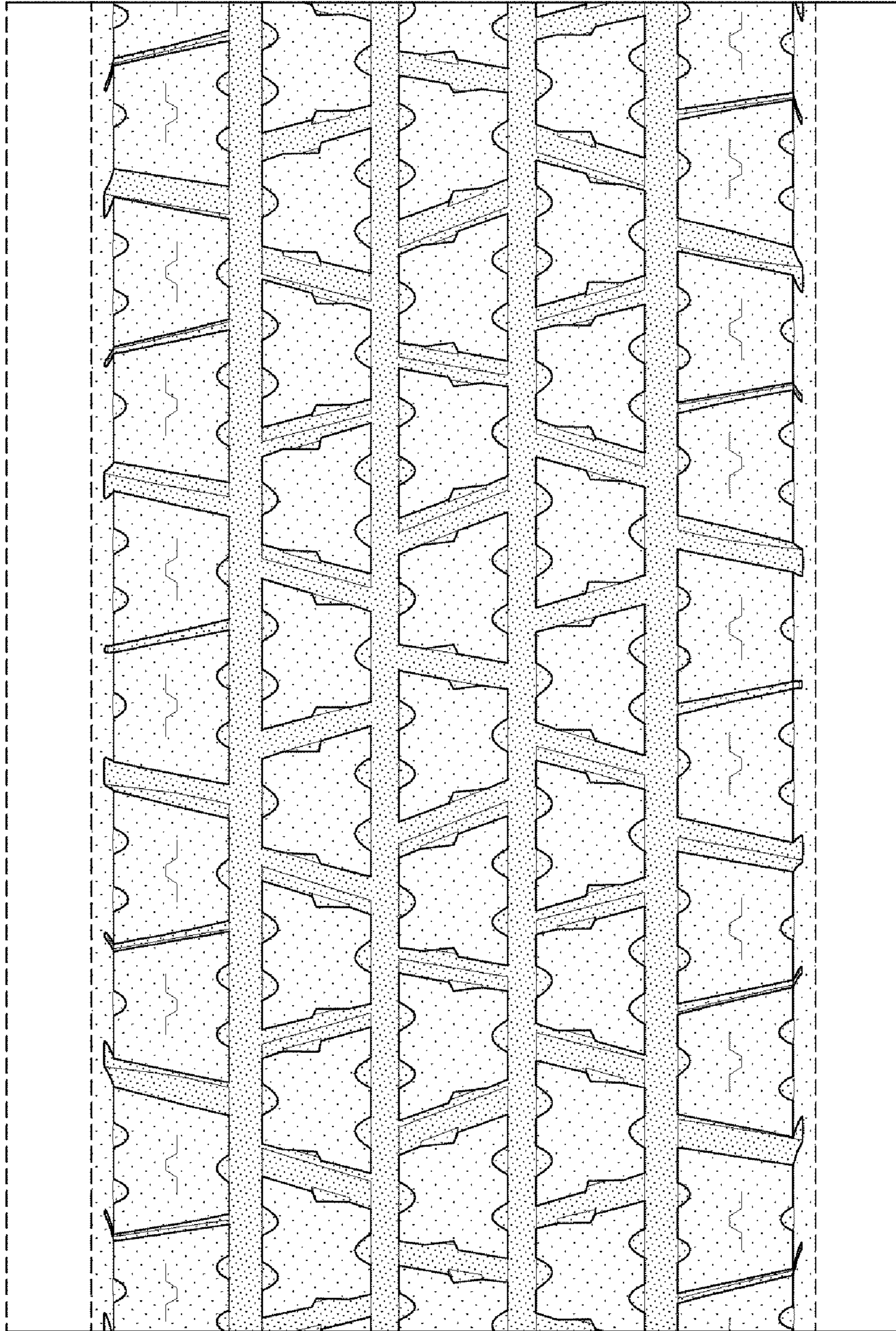


FIG-4

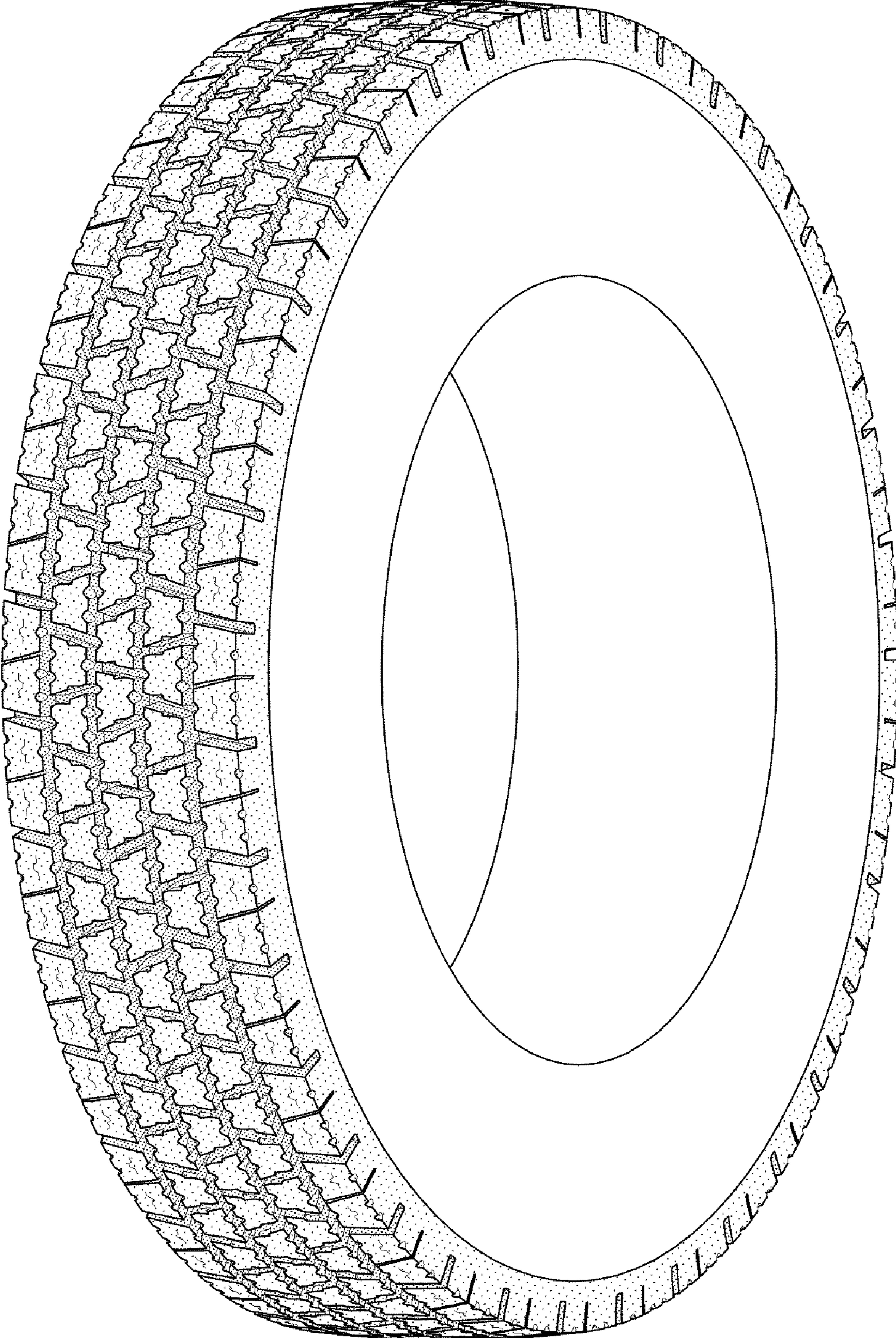


FIG-5

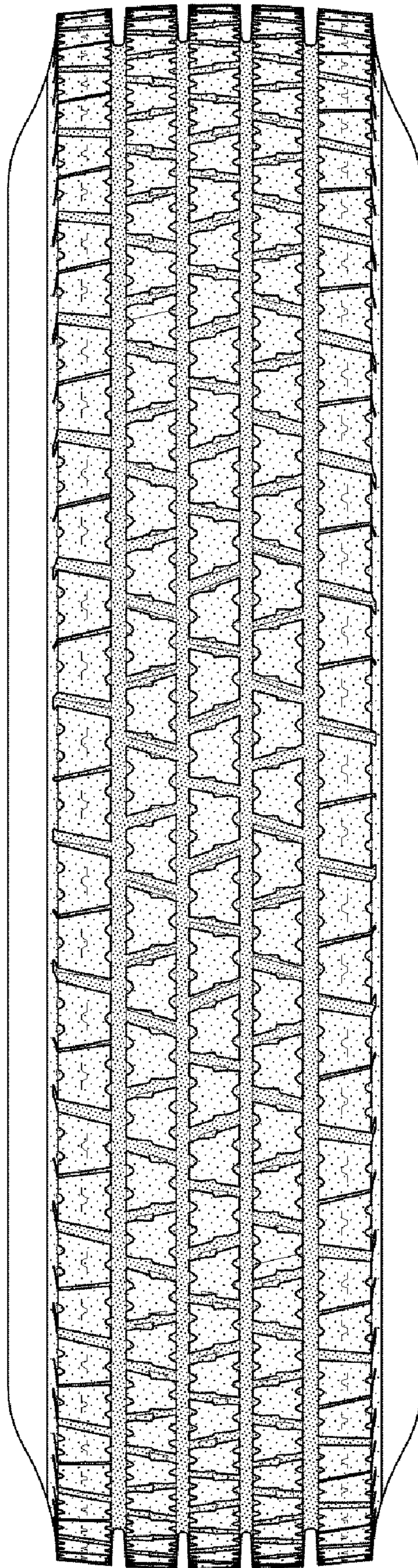


FIG-6